

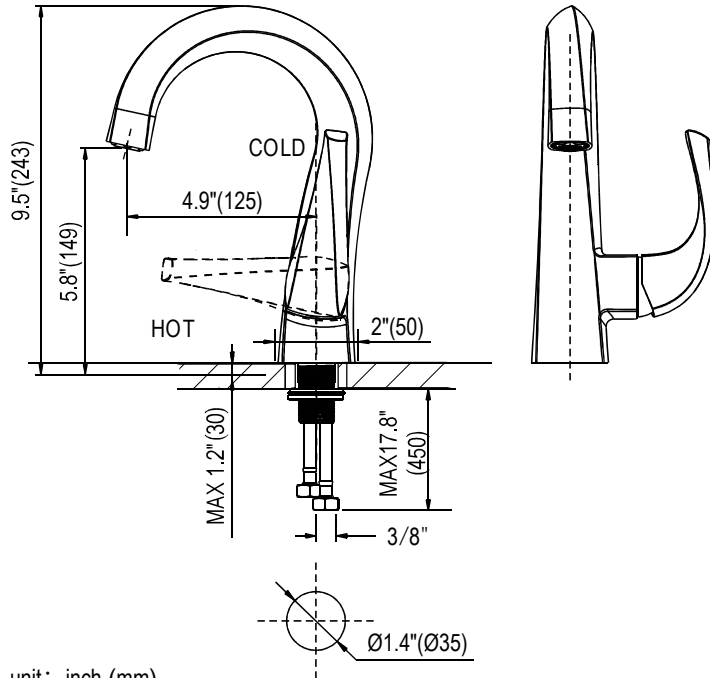
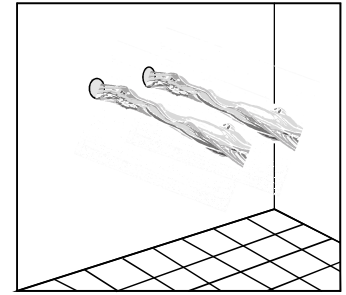
2321501 2321501C 2321501B

Operating conditions

| | |
|------------------------------------|--------|
| Recommended flow temperature | ≤ 65°C |
| Maximum flow temperature momentary | ≤ 90°C |
| Minimum flow pressure | 1 bar |
| Maximum flow pressure | 5 bar |
| Recommended operating pressure | 3 bar |
| Test pressure | 16 bar |

Notes

Before installing the valves, clean the water pipe thoroughly to avoid dirt and deposits



unit: inch (mm)

1. Screw flexible hoses (10) under the body (1)
2. Screw threaded rod (2) under body (1),
3. Attach the O-ring (3) to the base of faucet body
4. Insert the plate (4) and washer (5) under the body
3. Screw flexible hoses (11) under the body (1)
4. Insert washer (6) and SS304 washer (7) through threaded rod (2)
5. Screw hexagonal lock nut (8) on to threaded rod (2) and tighten.
6. Screw the nut (8) with screws (9) to fix the faucet body (1)

