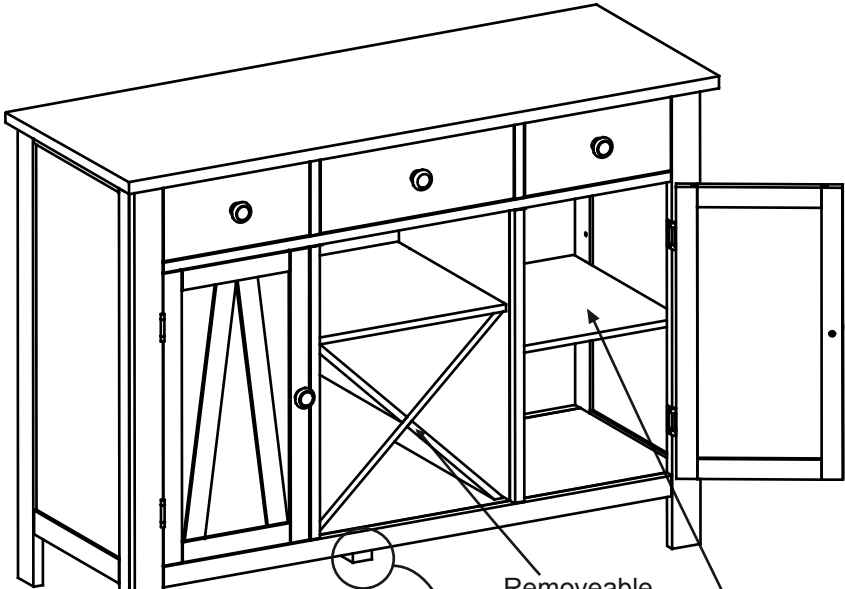


ASSEMBLY INSTRUCTION

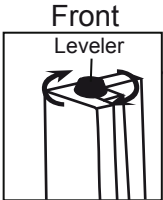
DESCRIPTION # SERVER

Thank you for purchasing this quality product. Be sure to check all packing material carefully for small parts which may have come loose inside the carton during shipment. Identify and count all parts and compare with the parts List Below :

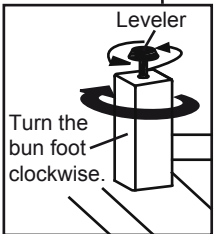


Removeable Wine Rack

Adjustable Wood Shelf

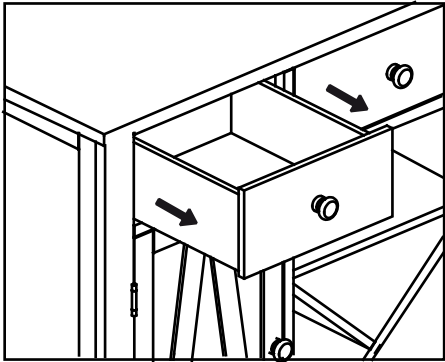


Adjust the levelers to level the unit.



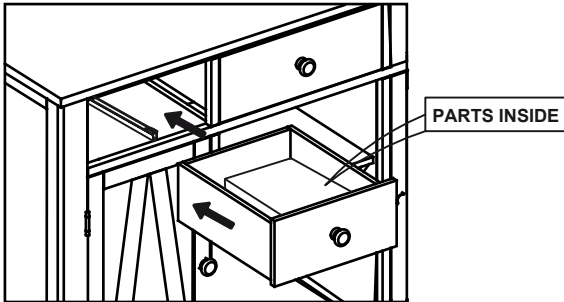
Adjust the levelers to level the unit.

TO REMOVE THE DRAWER:

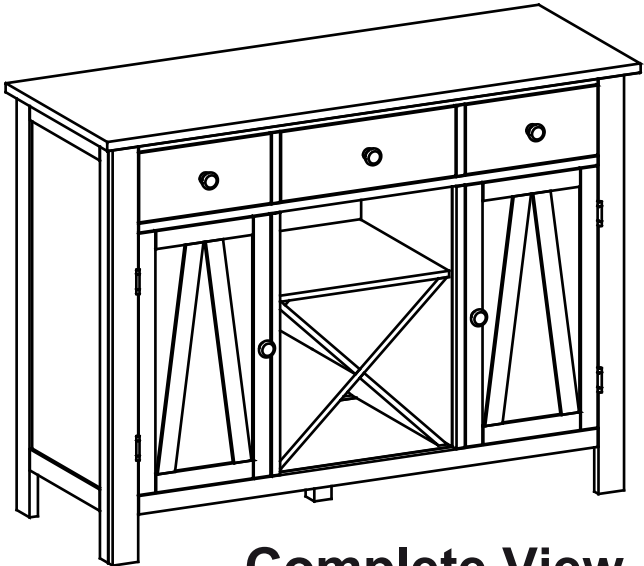


PULL THE DRAWER OUT UNTIL IT STOPS. WITH A RATHER FORCEFUL PULL CONTINUE TO PULL THE DRAWER OUT.

TO INSTALL THE DRAWER:



ALIGN THE CENTER GUIDE ON THE DRAWER AND CASE WITH SOME FORCE PUSH THE DRAWER INTO THE CASE.



Complete View