

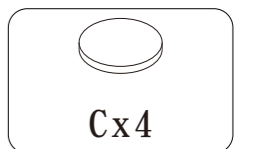
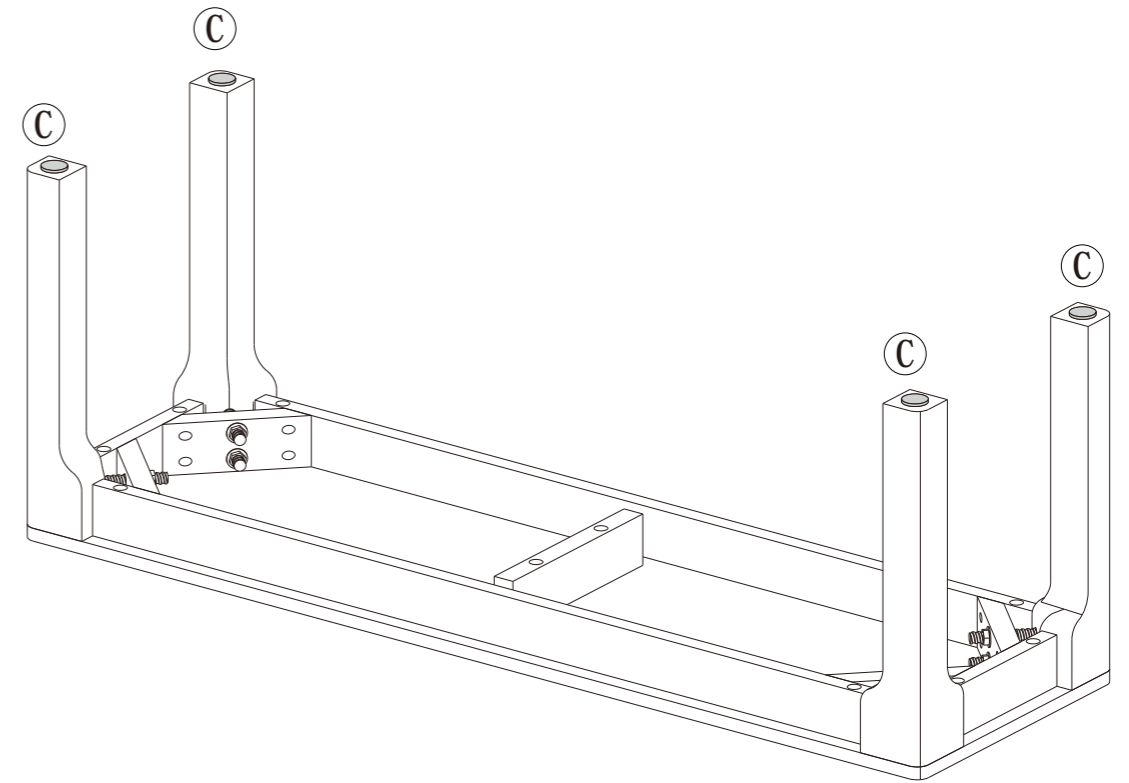
Tips before you start

- 1 For the protection of your furniture, we recommend that the product is Placed on a protected surface during assembly to prevent any damage
- 2 Please check that all parts are present before you start the assembly of your furniture.
- 3 For ease and speed of assembly, we recommend that you identify all the parts required for each step before commencing with assembly
- 4 For larger items, please ensure that you have sufficient space and people(as indicate on page 1) to assemble your product safely.
- 5 We recommend that, where possible, all items are assembled near to the area in which they will be placed in use, to avoid moving the product unnecessarily.
- 6 During assembly please take care not to over-tighten hardware, as this may damage the product. Do not use power tools.
- 7 Always place the product on a steady and stable surface.
- 8 Do not stand on the product. Do not use the product as a stepladder.
- 9 This product is intended for indoor, household use only as it is a non-industrial product.
- 10 After-sales service: Thank you for your support. In order to bring you a more pleasant shopping experience, you are welcome to provide valuable comments and suggestions, and you can contact us at any time after shopping. E-mail: amazon@balanbo.cn

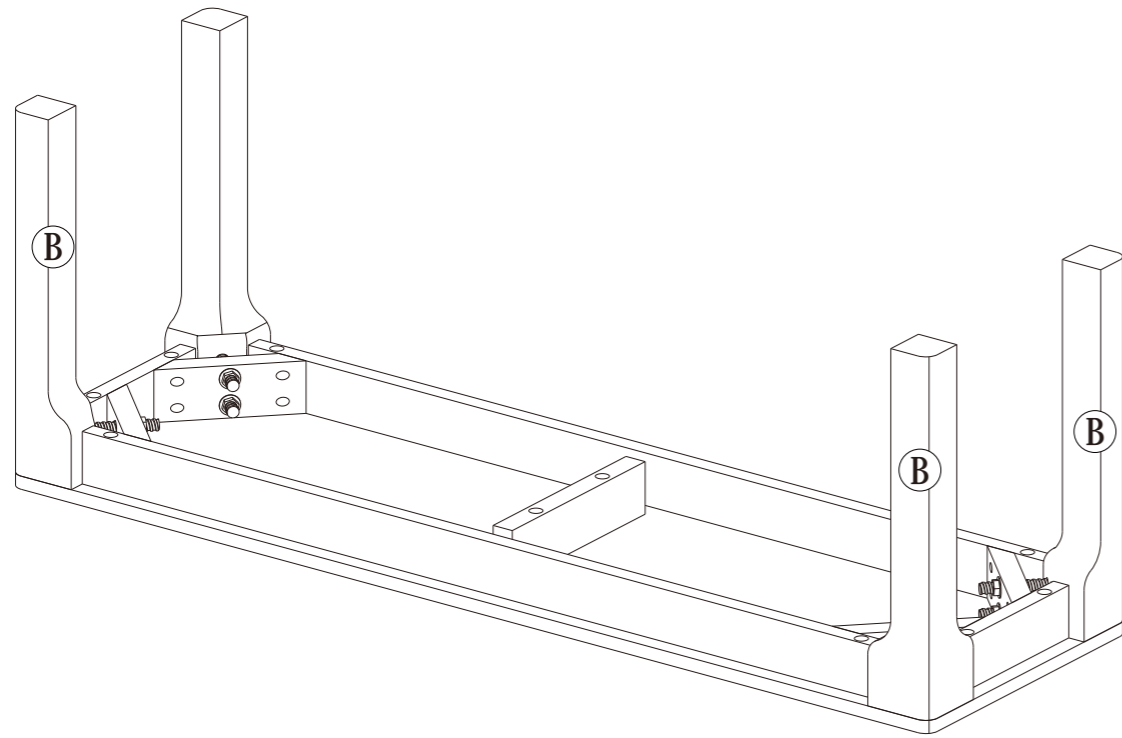
Care and maintenance

- √ Please periodically check all things and re-tighten as necessary.
- √ To clean your item, please use a damp cloth and wipe clean.
- √ Never allow and kind of liquid to remain on your furniture.
- √ Please do not place hot items(eg. Hot drinks)directly on to the surface

STEP4

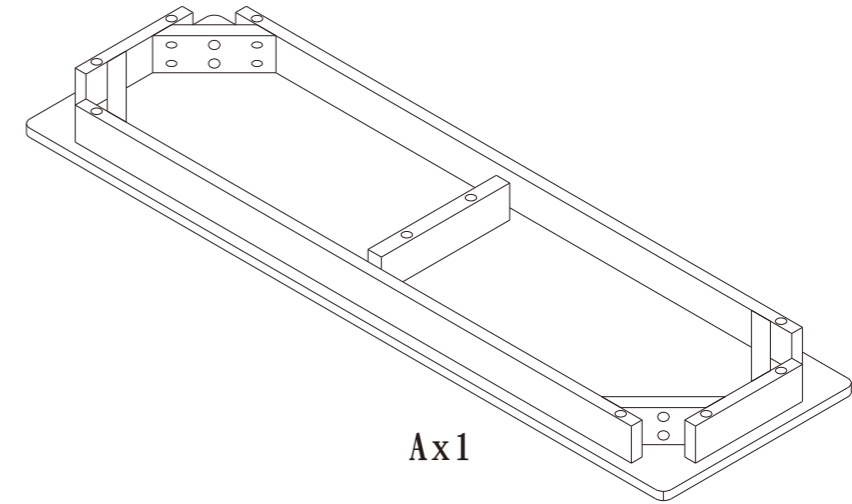


STEP3



Use step 2 to install the remaining three feet

Part List

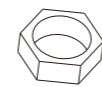


Bx4



Cx4

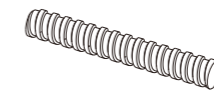
Hardware List



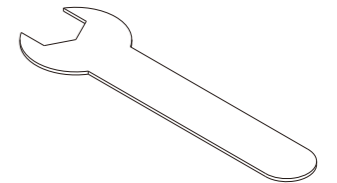
① x8



② x8



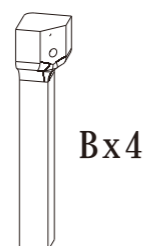
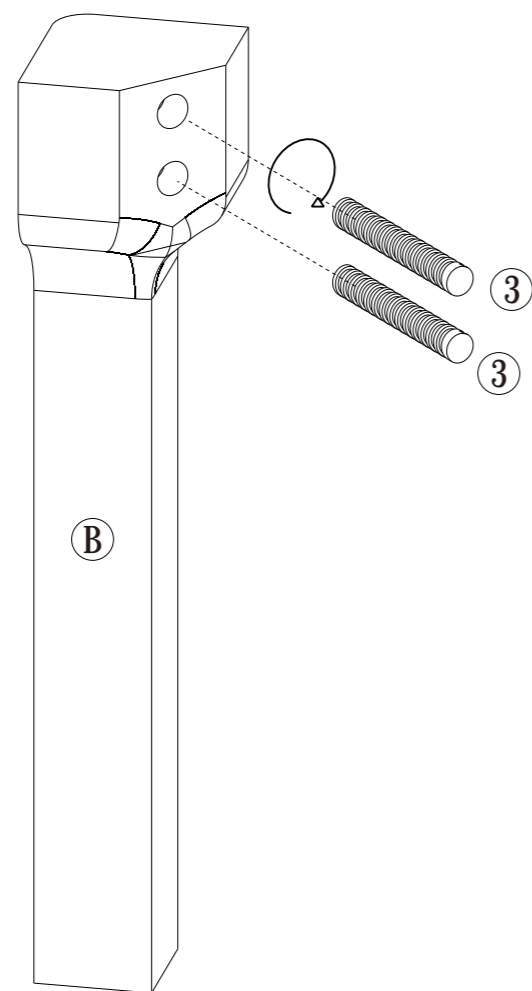
③ x8



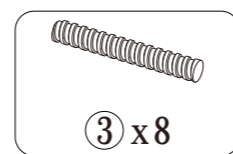
④ x1

STEP1

Install screws (code ③) on the four feet (code B)



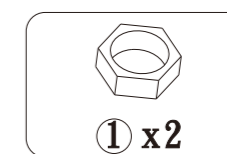
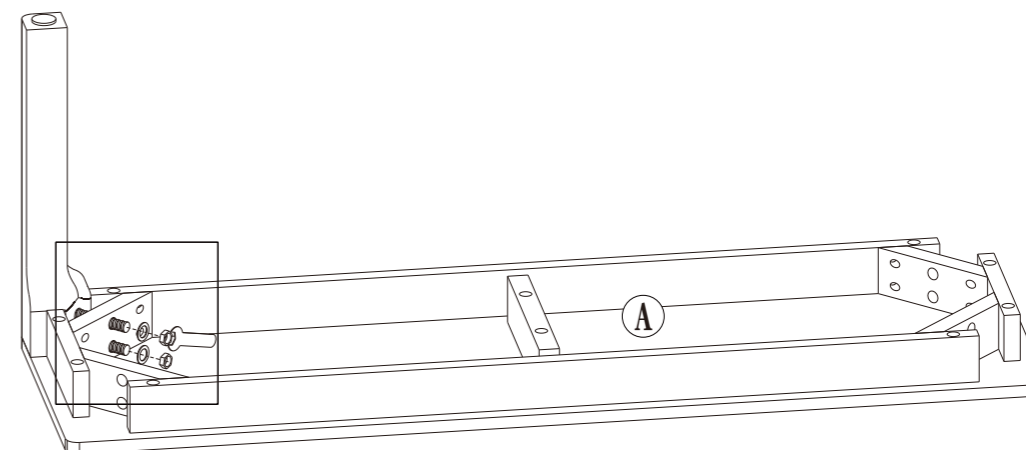
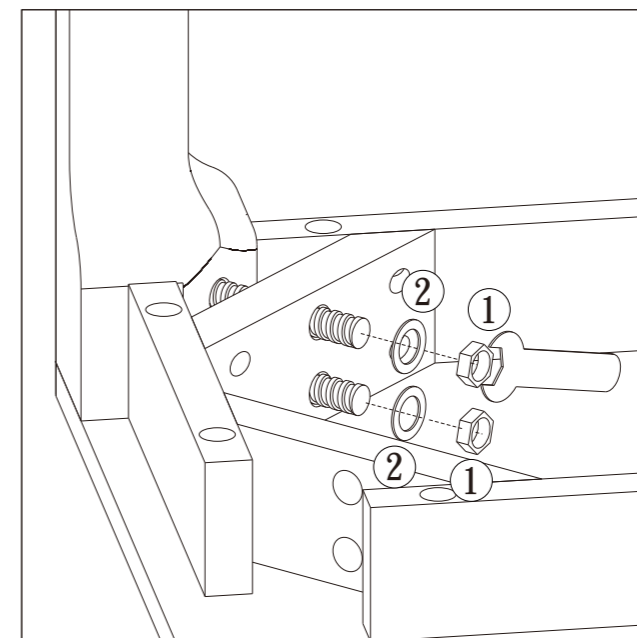
Bx4



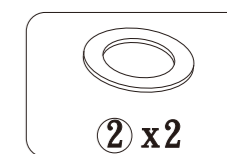
③ x8

AFTER SALES SUPPORT

STEP2



① x2



② x2

AFTER SALES SUPPORT