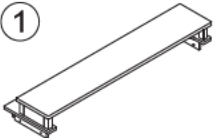



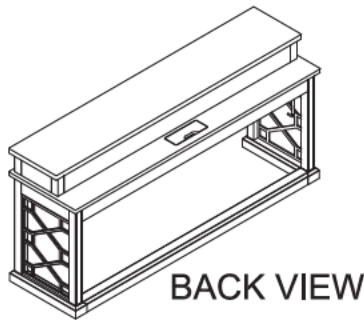
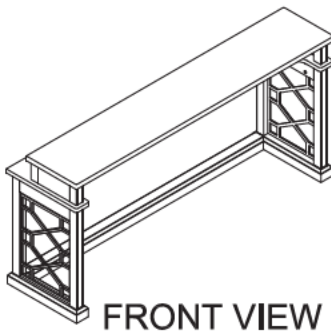


Assembly Instruction

Description: EVERYWHERE CONSOLE TABLE



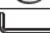







PARTS LIST:

①		②		③		④	
TABLE TOP: 1PC		LEFT FRAME LEG: 1PC		RIGHT FRAME LEG: 1PC		STRETCHER: 1PC	



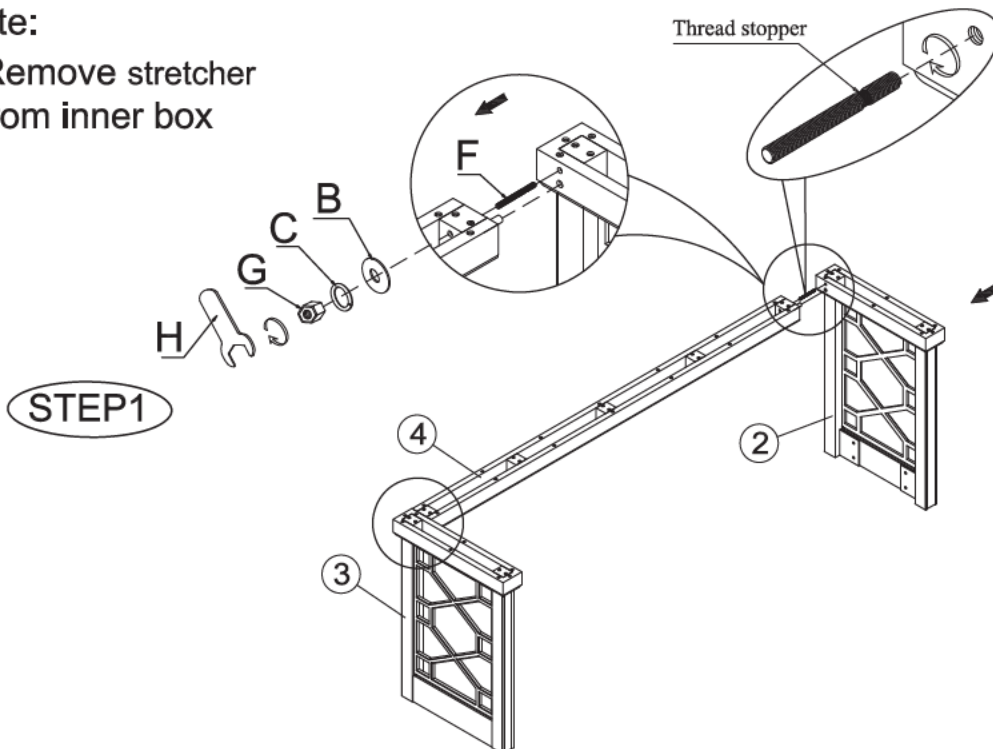
⑤

HARDWARE LIST

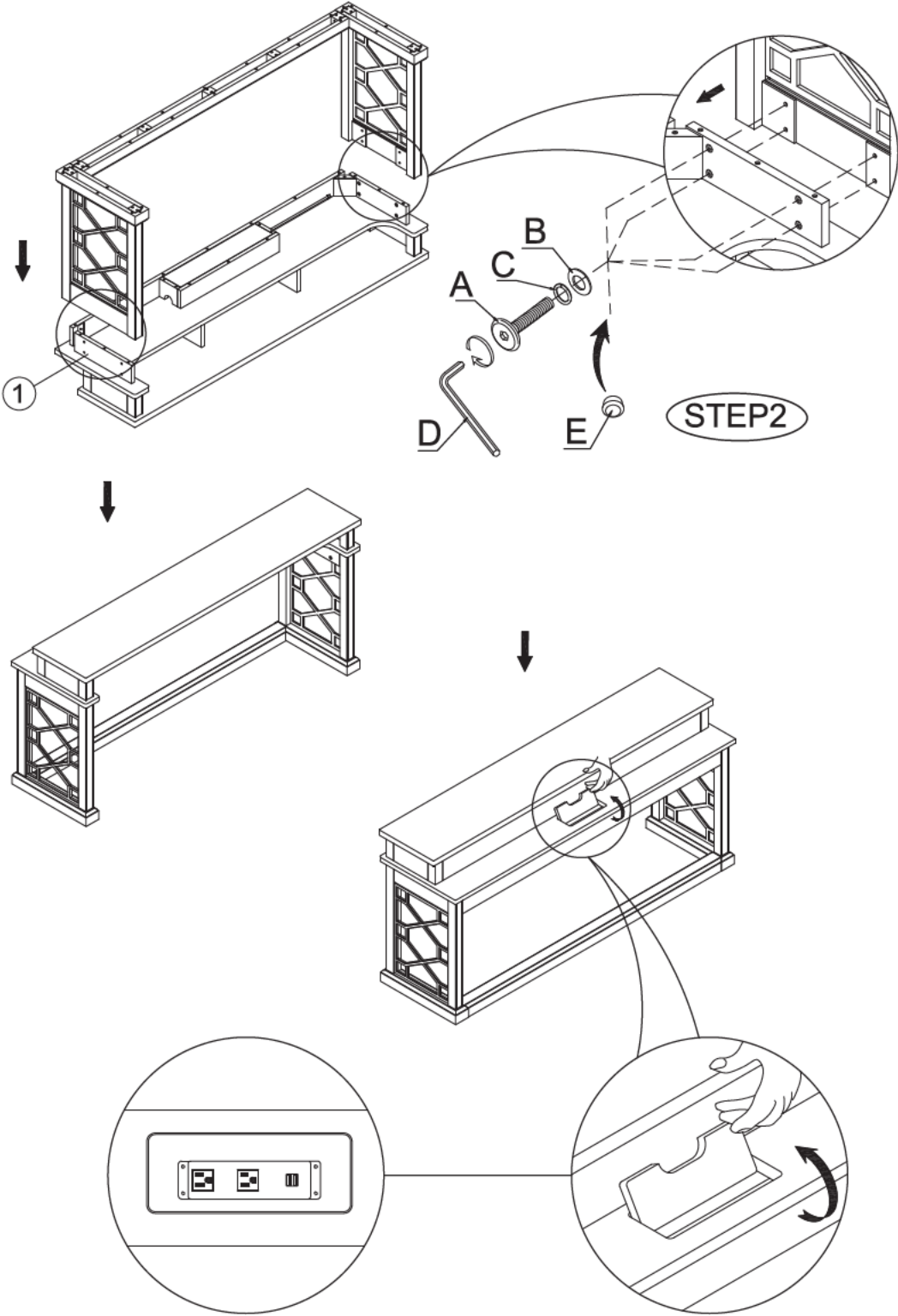
NO.	Drawing	Description	
A		Bolt (Ø5/16"x1-1/8")	8pcs
B		Flat washer (Ø5/16"x16mm)	10pcs
C		Spring washer (Ø5/16")	10pcs
D		Allen wrench (5mm)	1pc
E		Wood cap(Ø18x10mm)	8pcs
F		Threaded bolt Ø5/16" X3-1/2"	2pcs
G		Hex nut (Ø5/16")	2pcs
H		Ø5/16" Wrench(12mm)	1pc
I		Clip plastic	4pcs
J		Wood screw(Ø8*5/8")	4pcs

Note:

1. Remove stretcher from inner box

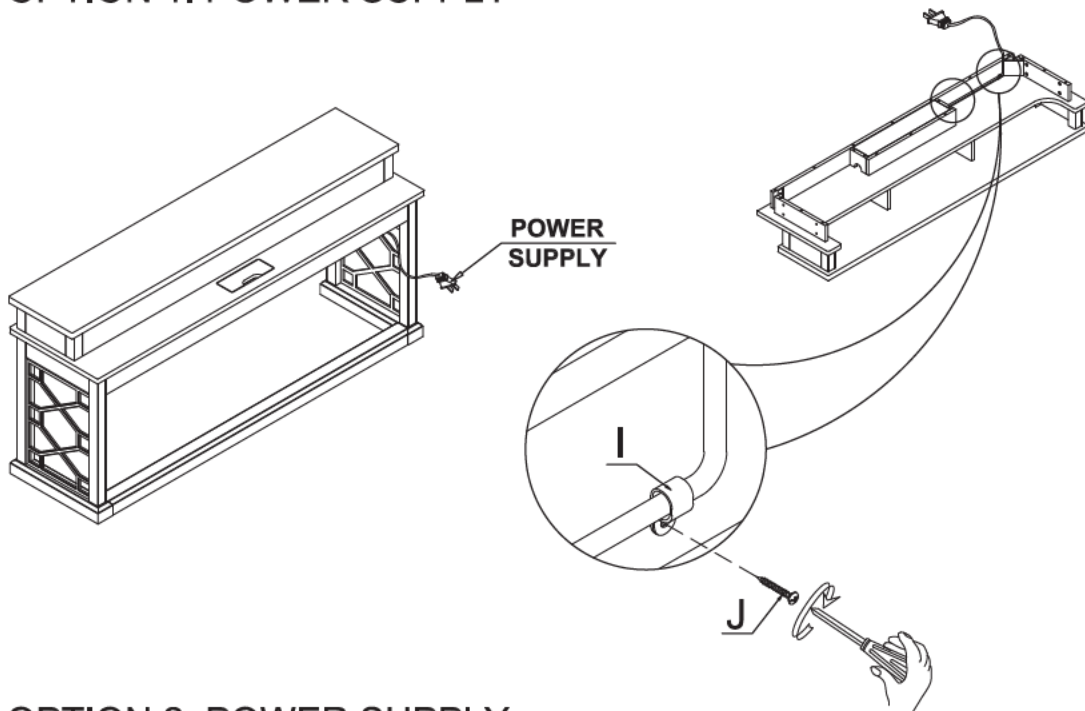


Description: EVERYWHERE CONSOLE TABLE



Description: EVERYWHERE CONSOLE TABLE

OPTION 1: POWER SUPPLY



OPTION 2: POWER SUPPLY

