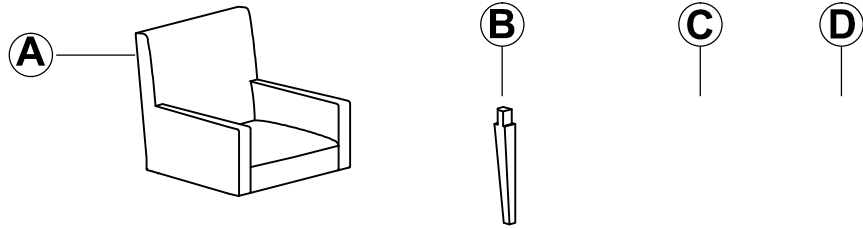






ARM CHAIR ASSEMBLY INSTRUCTIONS

PARTS PACKING CONFIGURATIONS

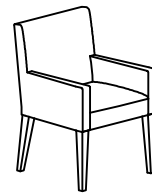
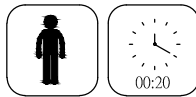
- A. CHAIR SEAT 1 PC
- B. FRONT LEG 2 PCS
- C. LEFT BACK LEG 1 PC
- D. RIGHT BACK LEG 1 PC



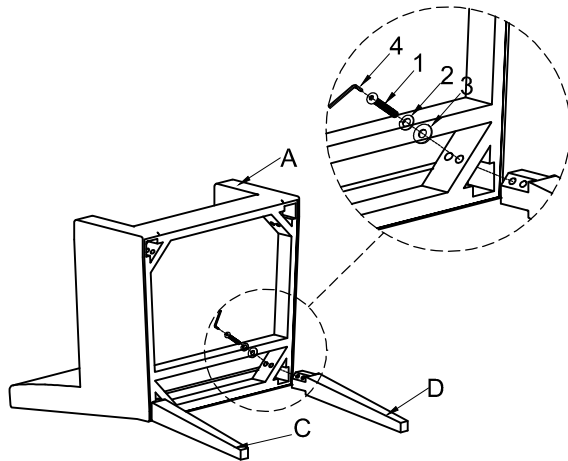
HARDWARE ENCLOSED IN CARTON

No	Description	Photo	Quantity
1	ALLEN BOLT (5/16 x 2)		8 PCS
2	LOCK WASHER (5/16)		8 PCS
3	FLAT WASHER (5/16)		8 PCS
4	ALLEN KEY		1 PC

ARM CHAIR FULLY ASSEMBLED

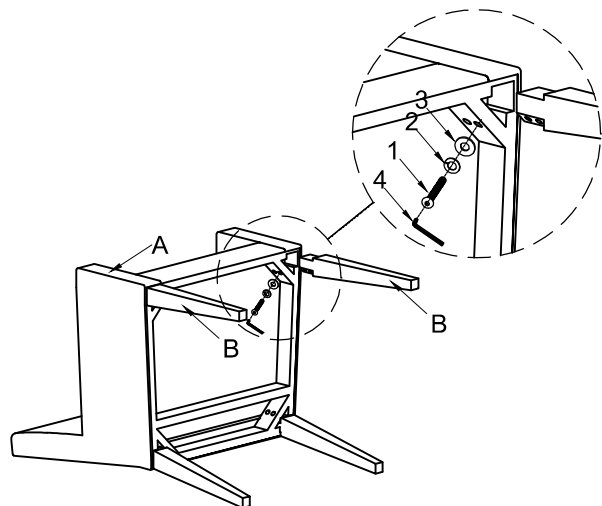


STEP 1:



DO NOT TIGHTEN BOLTS COMPLETELY

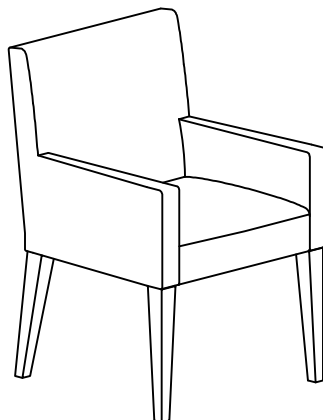
STEP 2:



DO NOT TIGHTEN BOLTS COMPLETELY

STEP 3:

ON A FLAT, LEVEL SURFACE PLACE THE CHAIR UPRIGHT. WHEN CHAIR IS LEVELED, PLEASE TIGHTEN ALL ASSEMBLY BOLTS WITH PROVIDED ALLEN KEY.



FULLY ASSEMBLED