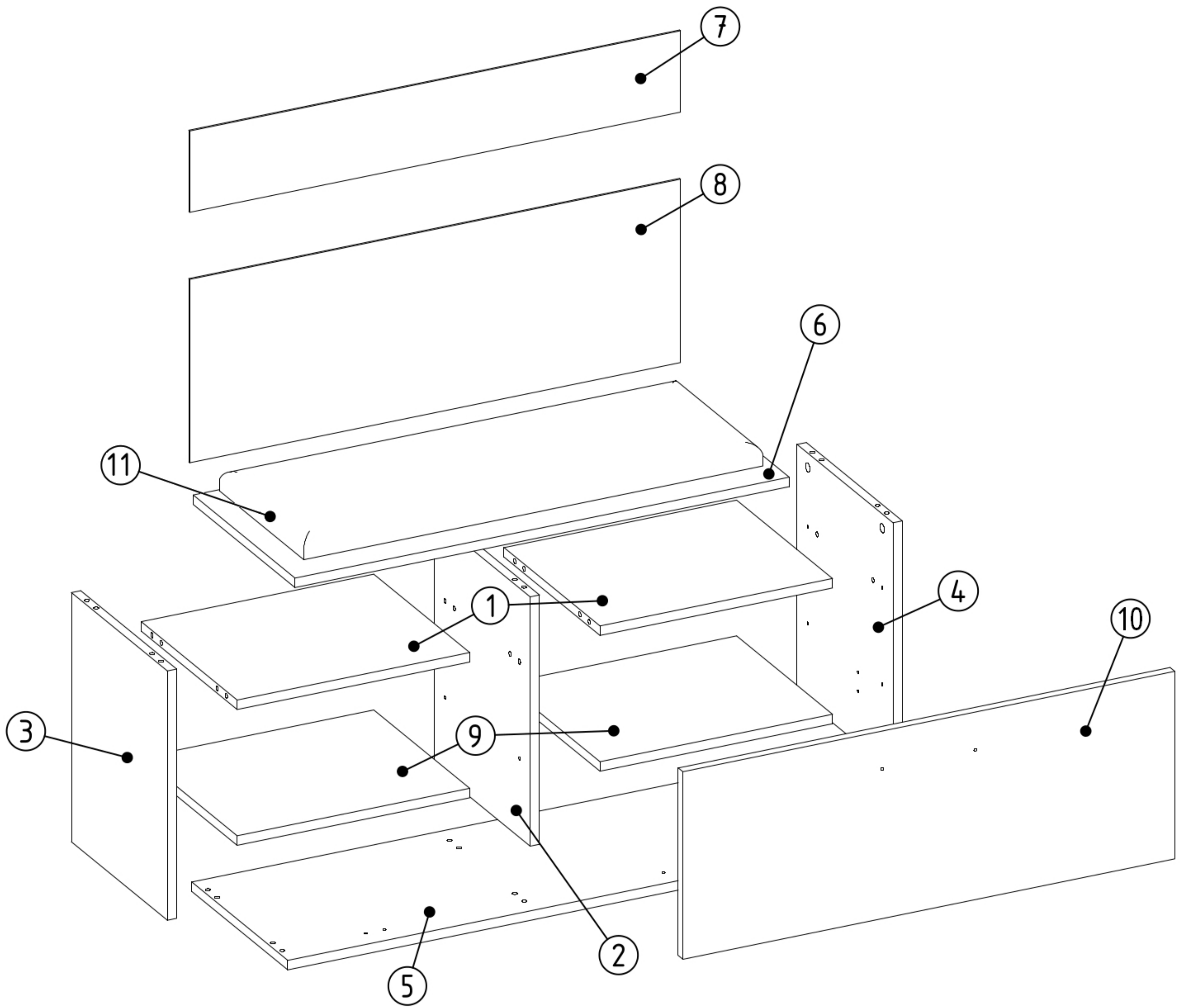




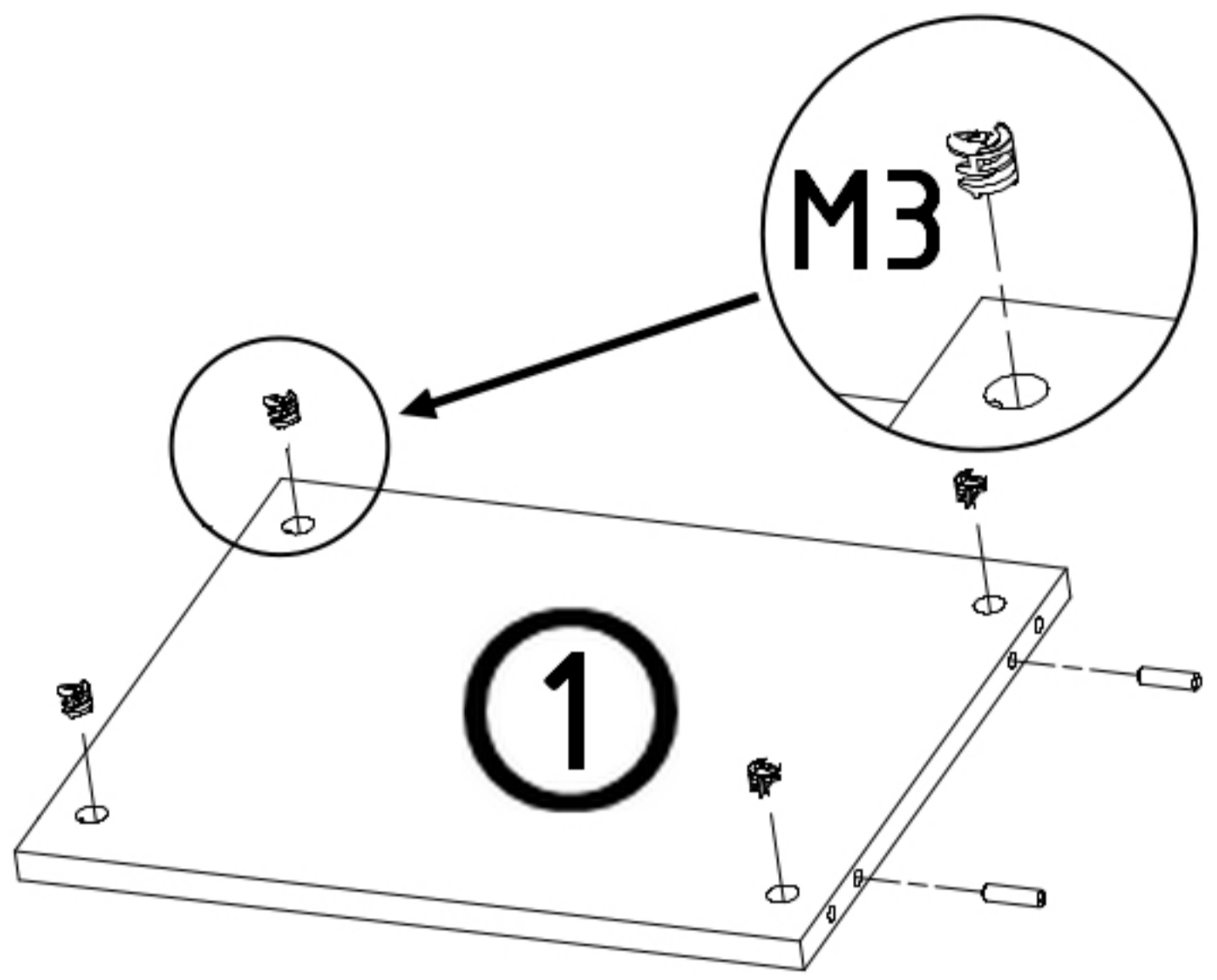
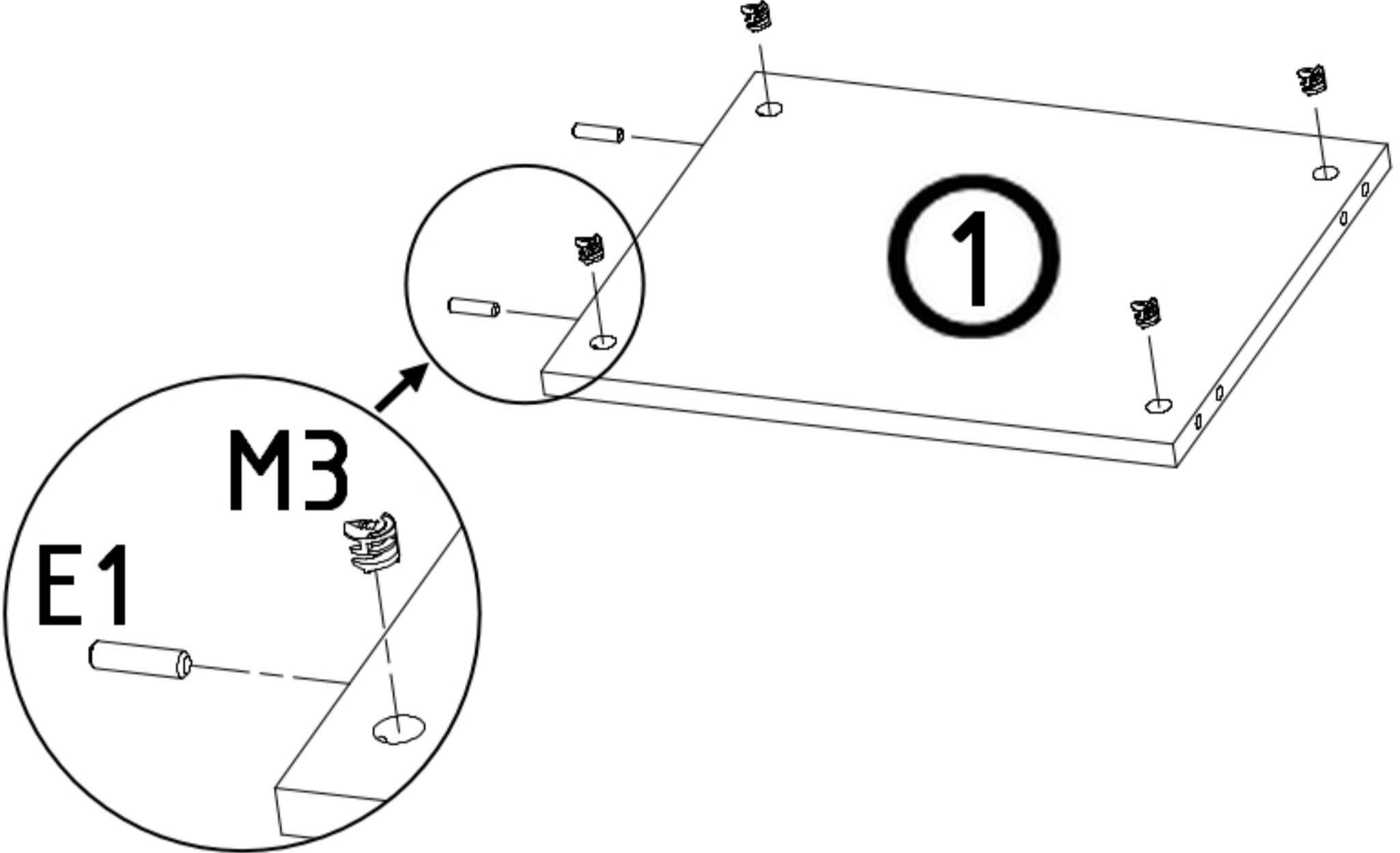
U3 L=190mm x 1	S16 6x13mm x 2	Z2 x 40	N1 x 6				
N2 L=35mm x 10	M3 12x15mm x 14	A0 ZP x 2	S1 3,5x16mm x 6	E1 8x30mm x 16	E3 8x50mm x 2	S5 2,5x20mm x 5	D2 5x16mm x 8
N3 L=62mm x 2	F2 7x50mm x 6	Z4 x 5	K1 x 1	M2 x24 ø17mm x 6	V3 L=250mm x 1	T1 x 6	S4 4x27mm x 2






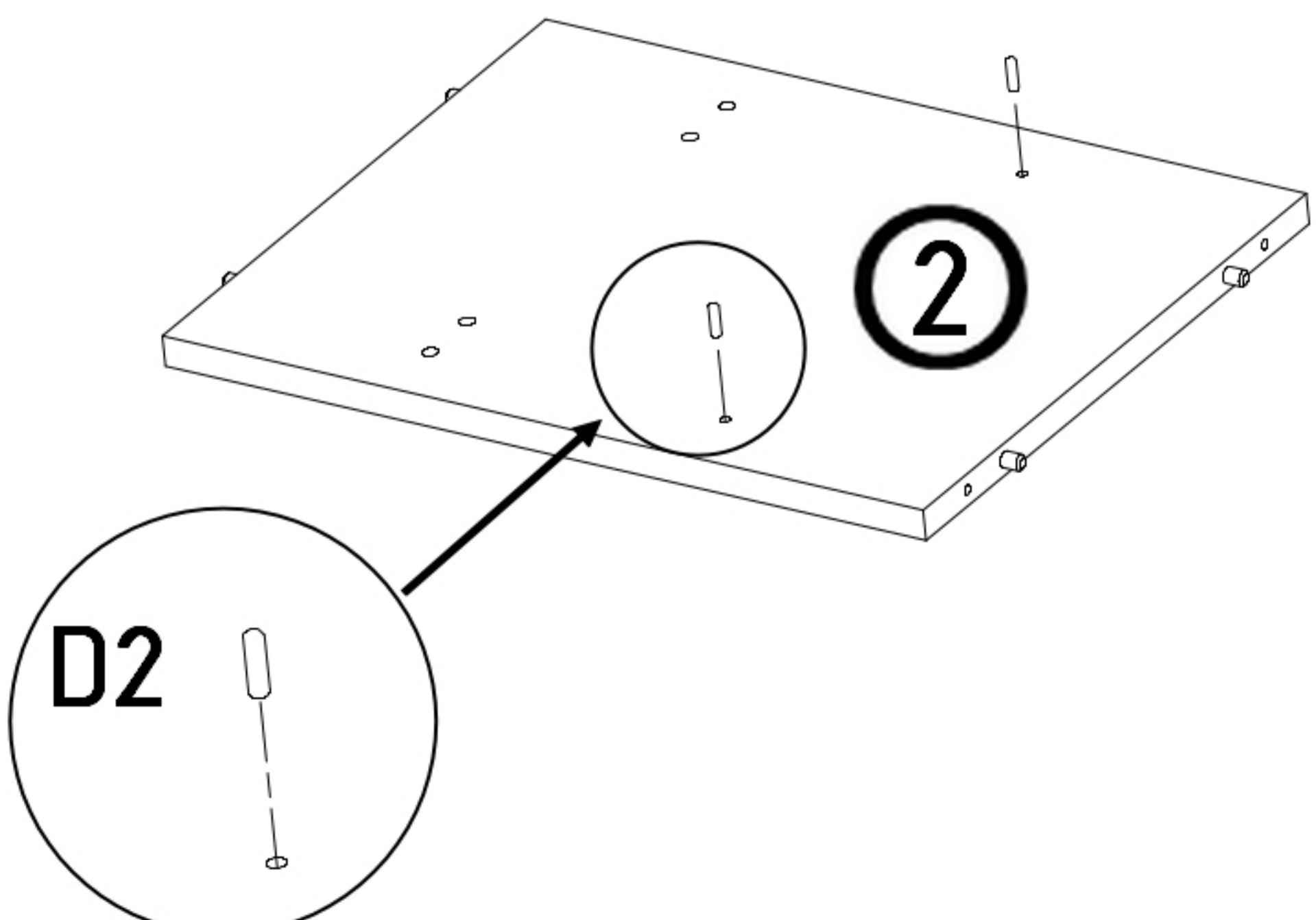
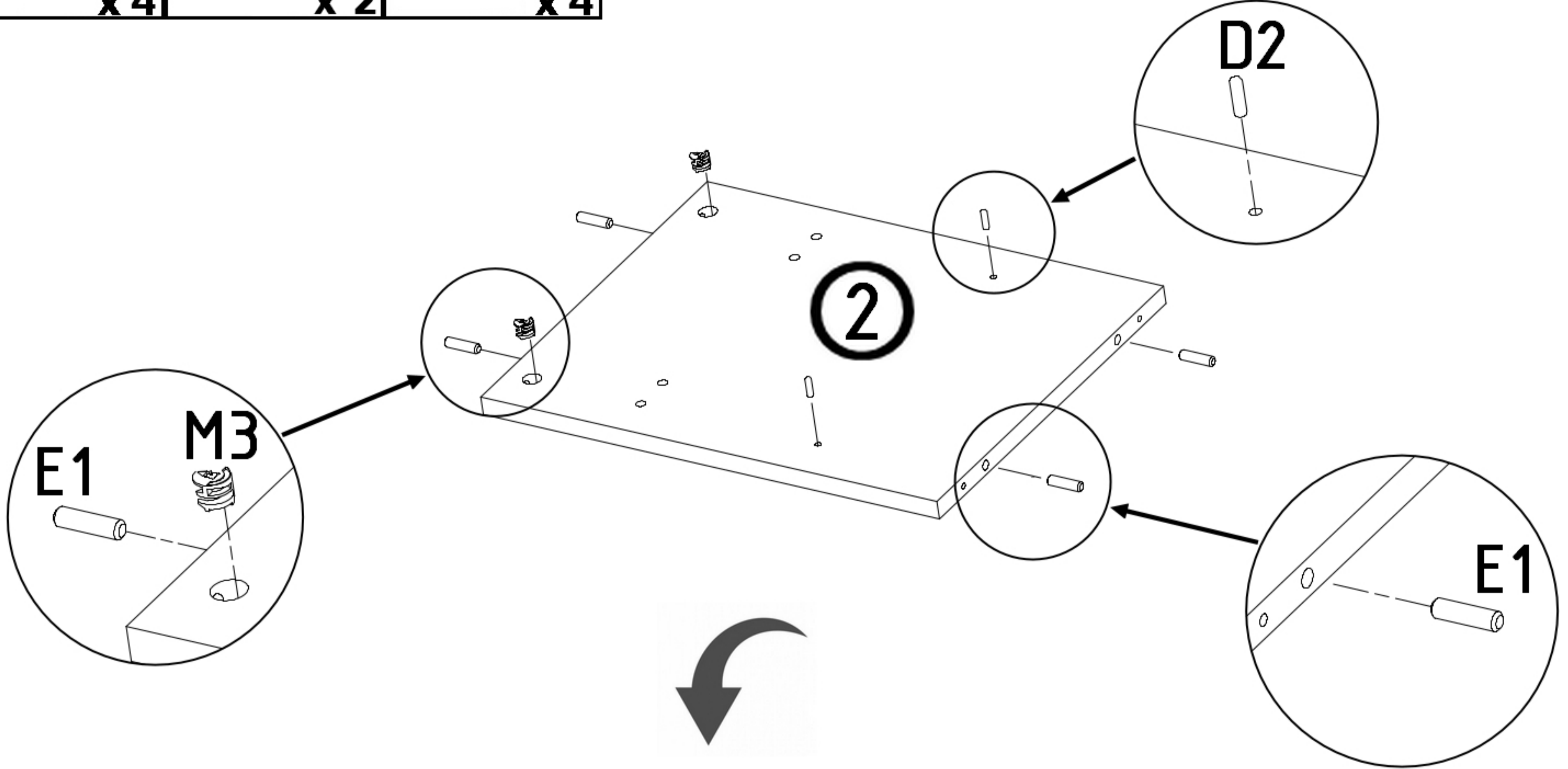
1	x	2
2	x	1
3	x	1
4	x	1
5	x	2

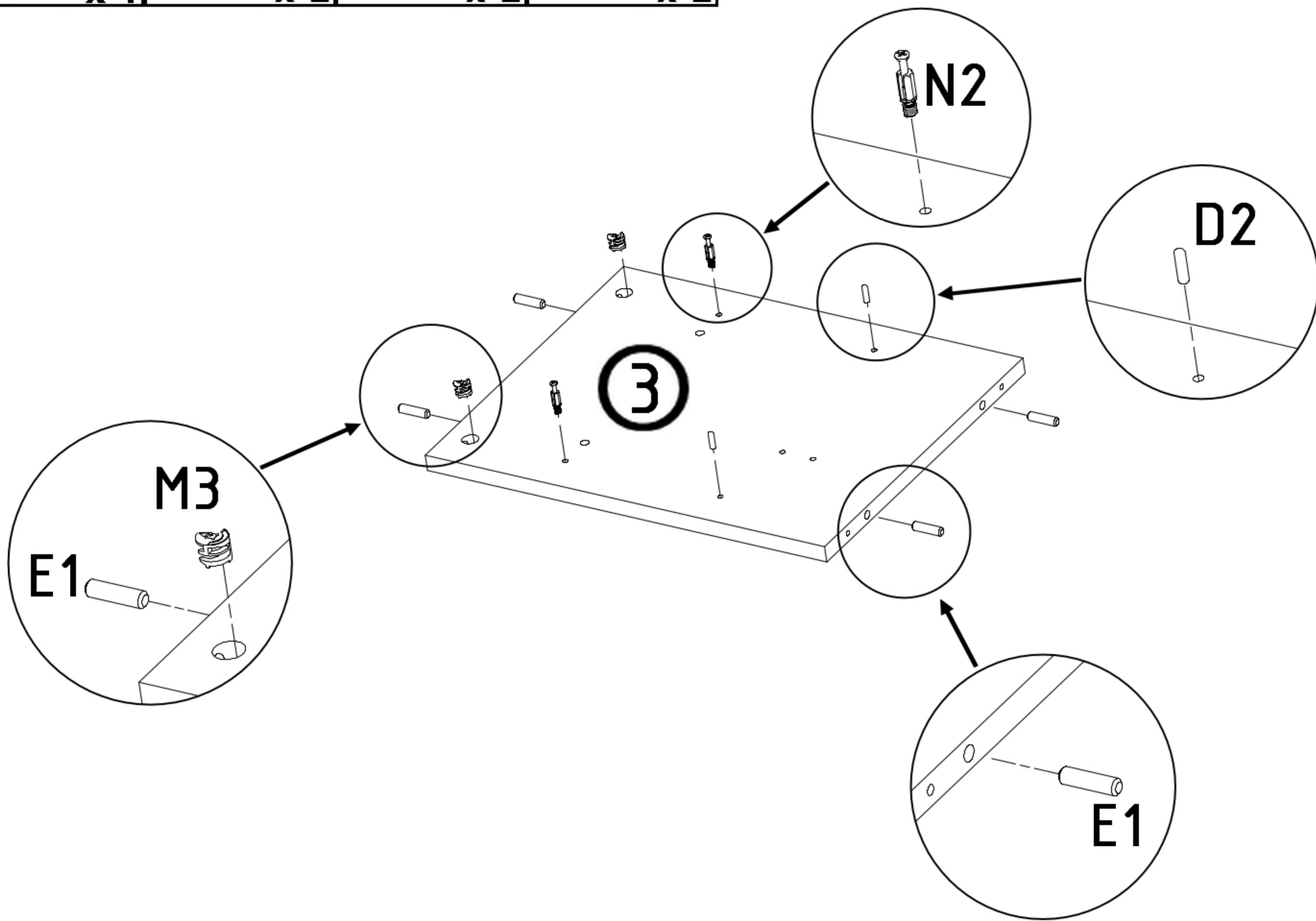
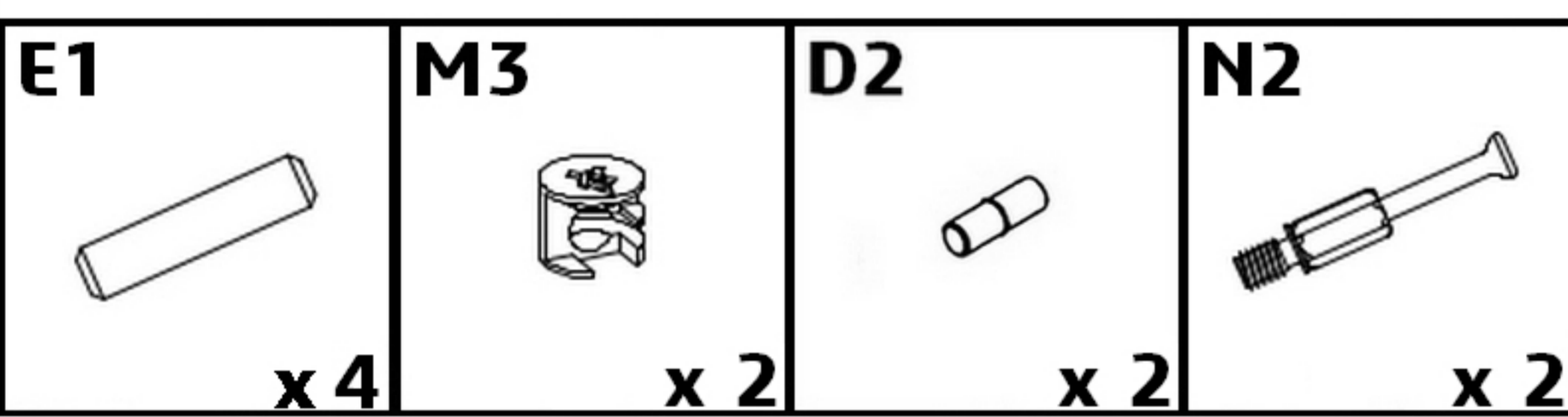
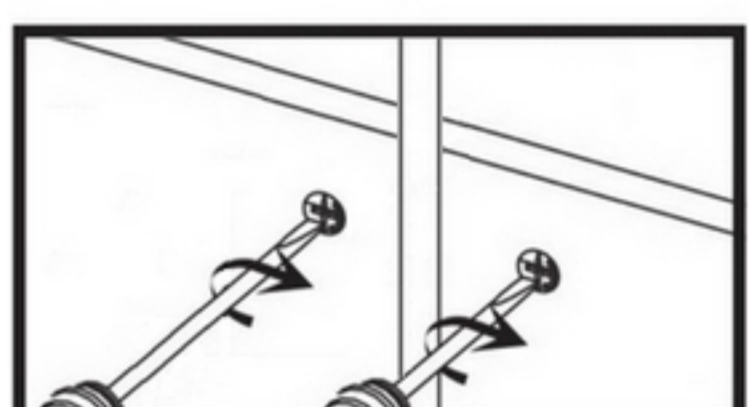
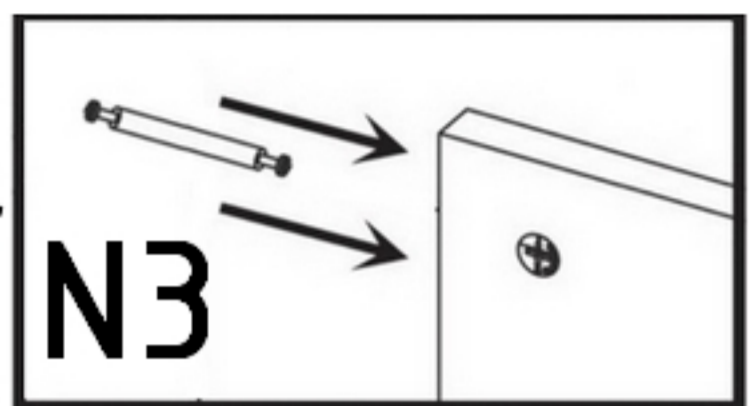
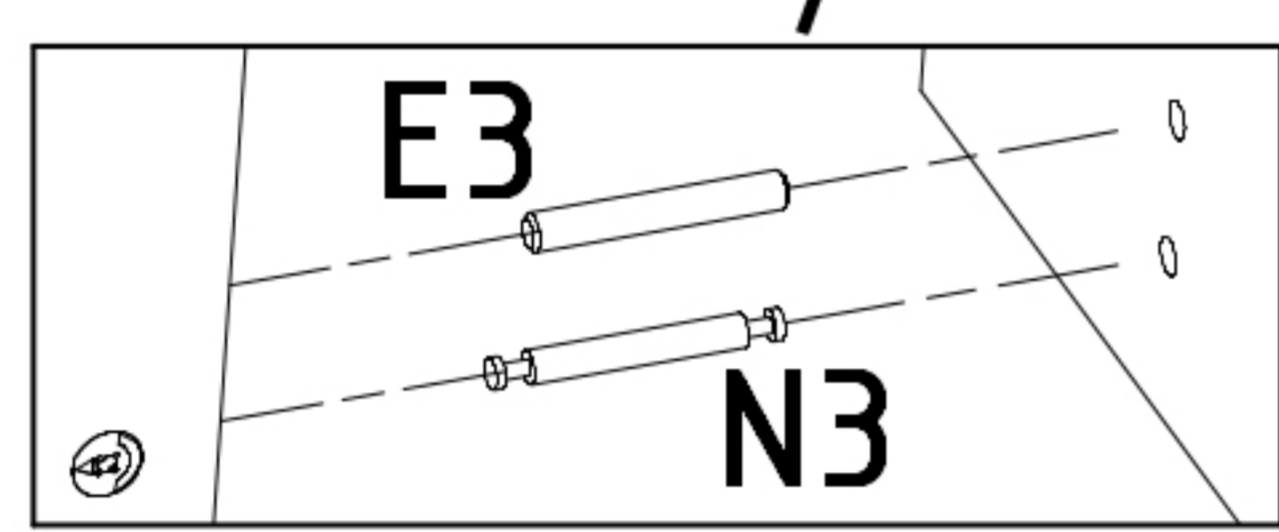
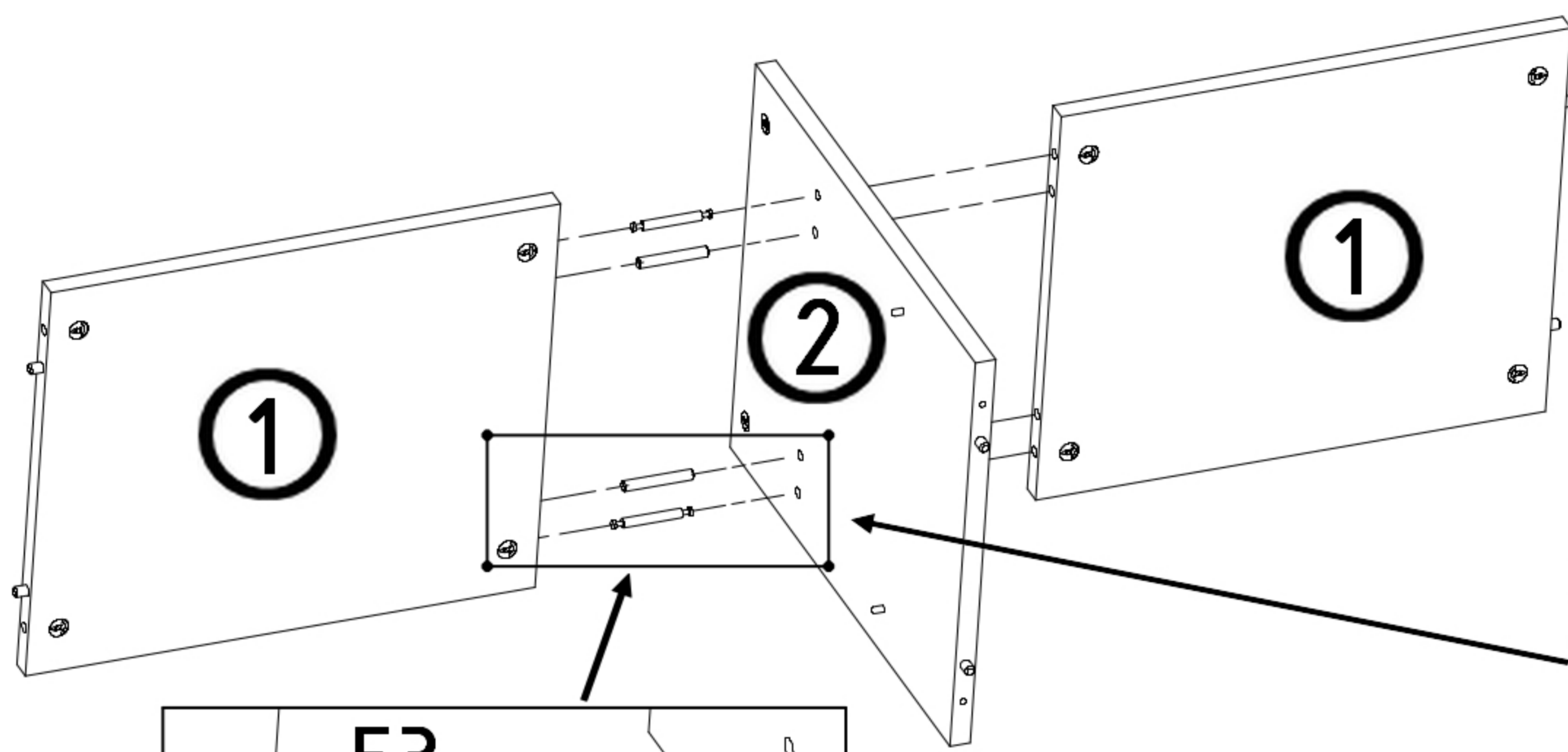
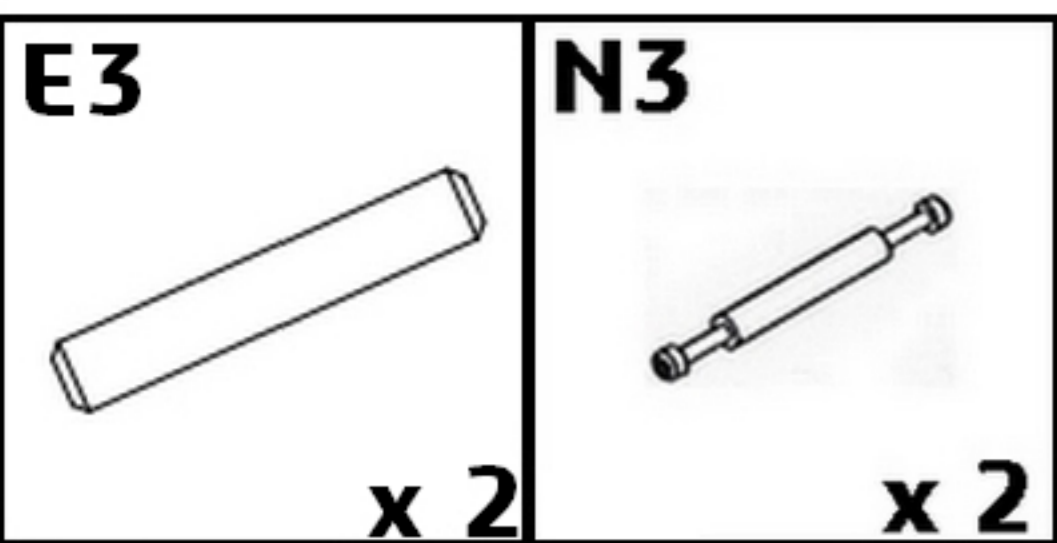
6	x	1
7	x	1
8	x	1
9	x	2
10	x	1
11	x	1

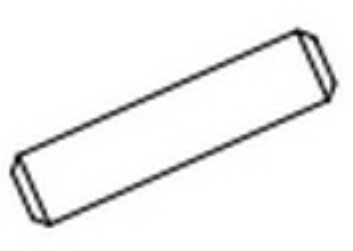



E1  x 4	M3  x 8
---	--

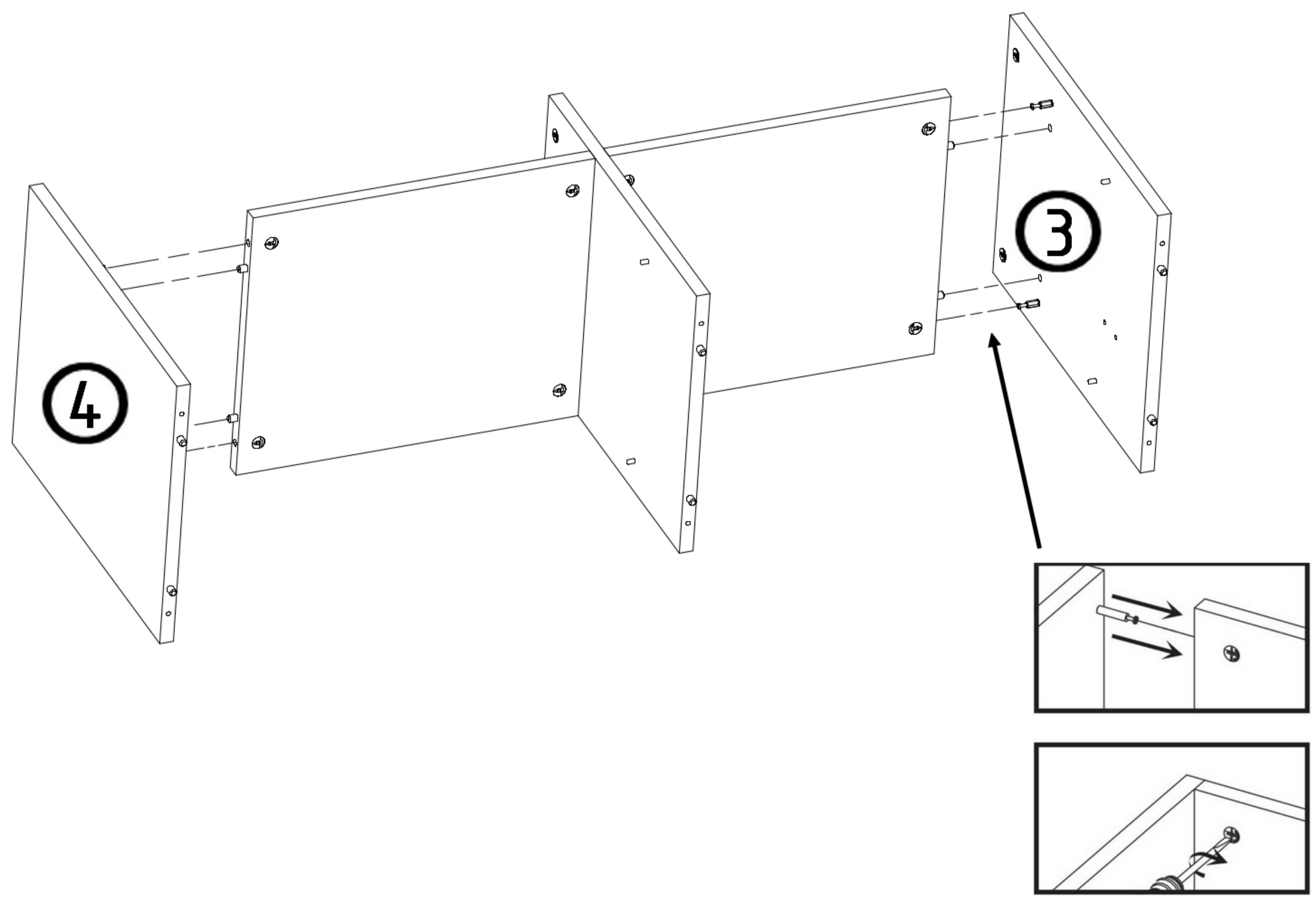
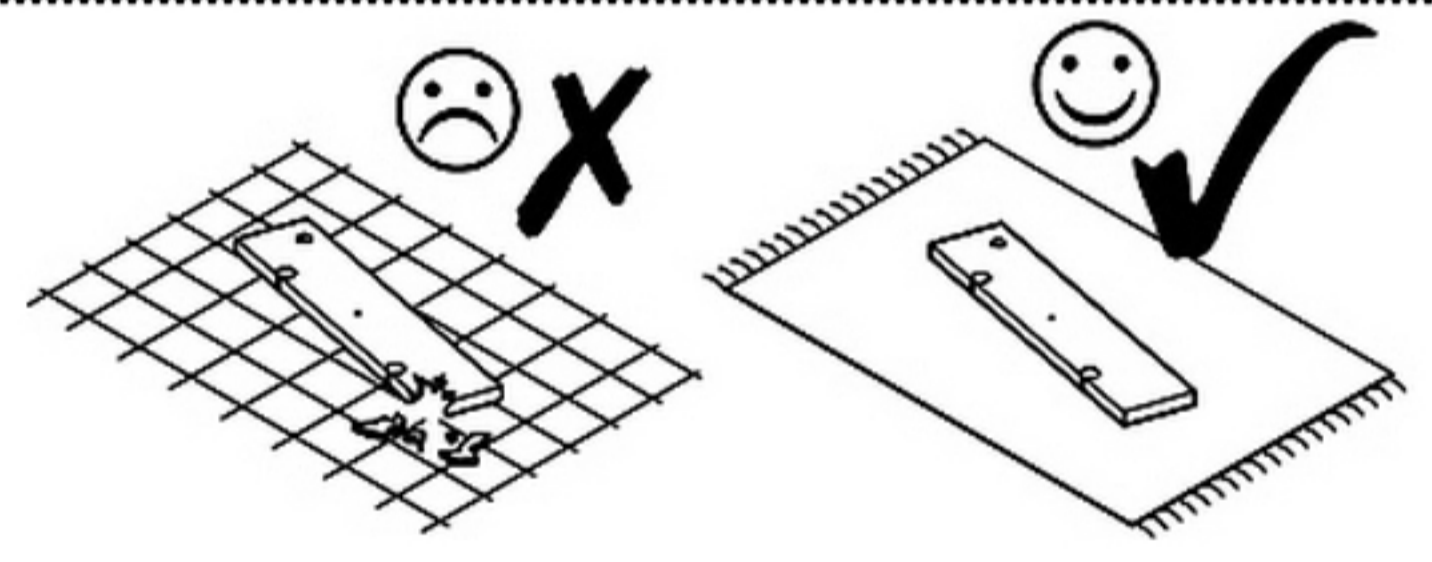
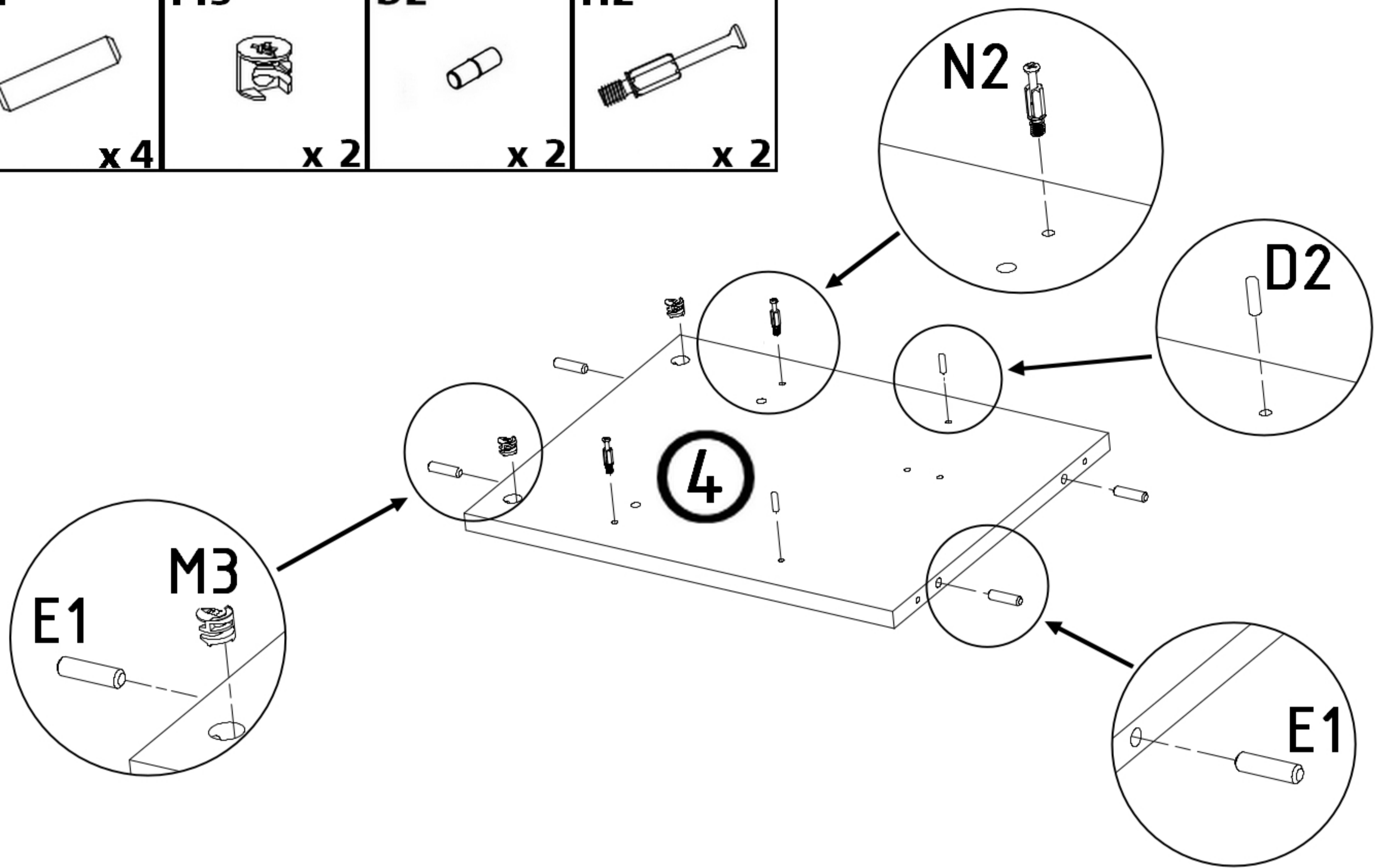


E1  x 4	M3  x 2	D2  x 4
---	--	--




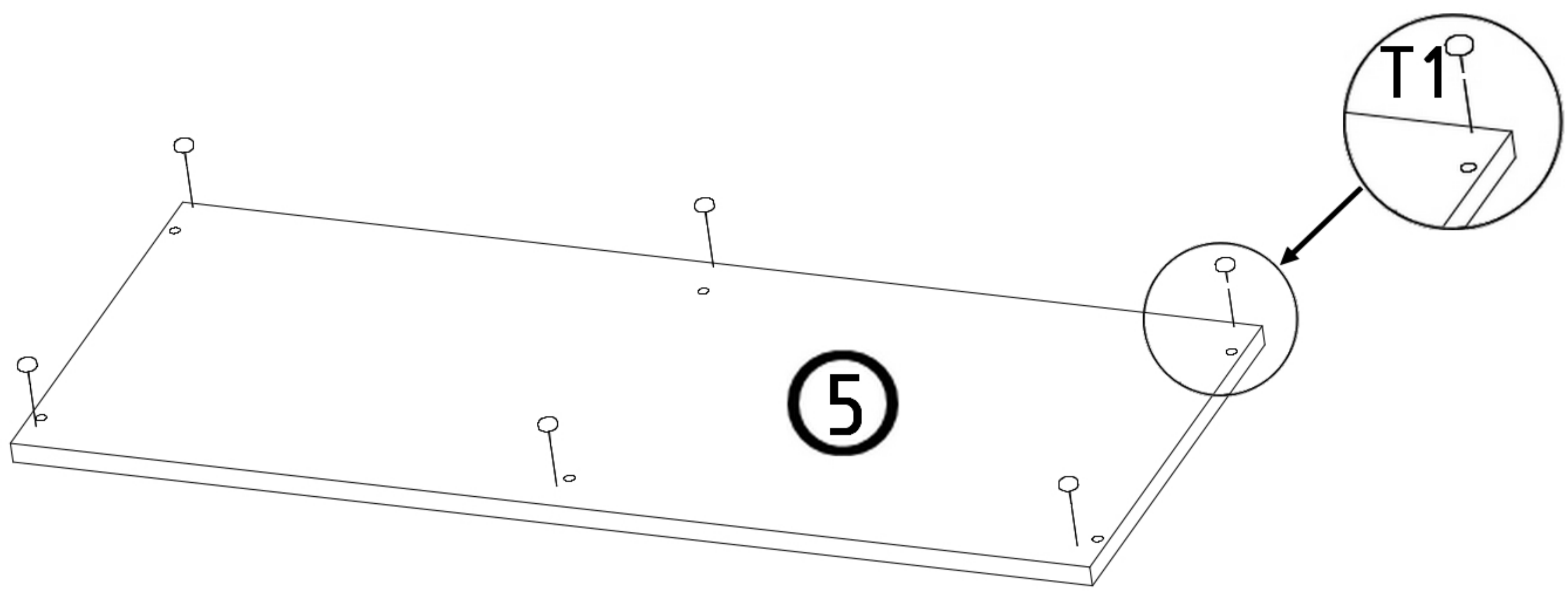



E1  x 4	M3  x 2	D2  x 2	N2  x 2
--	---	---	--

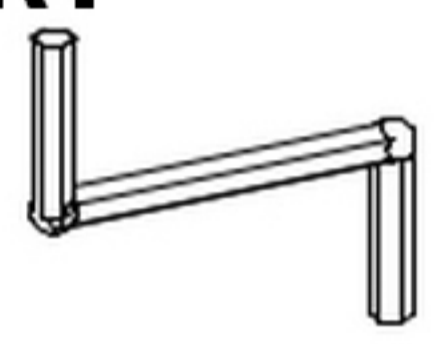


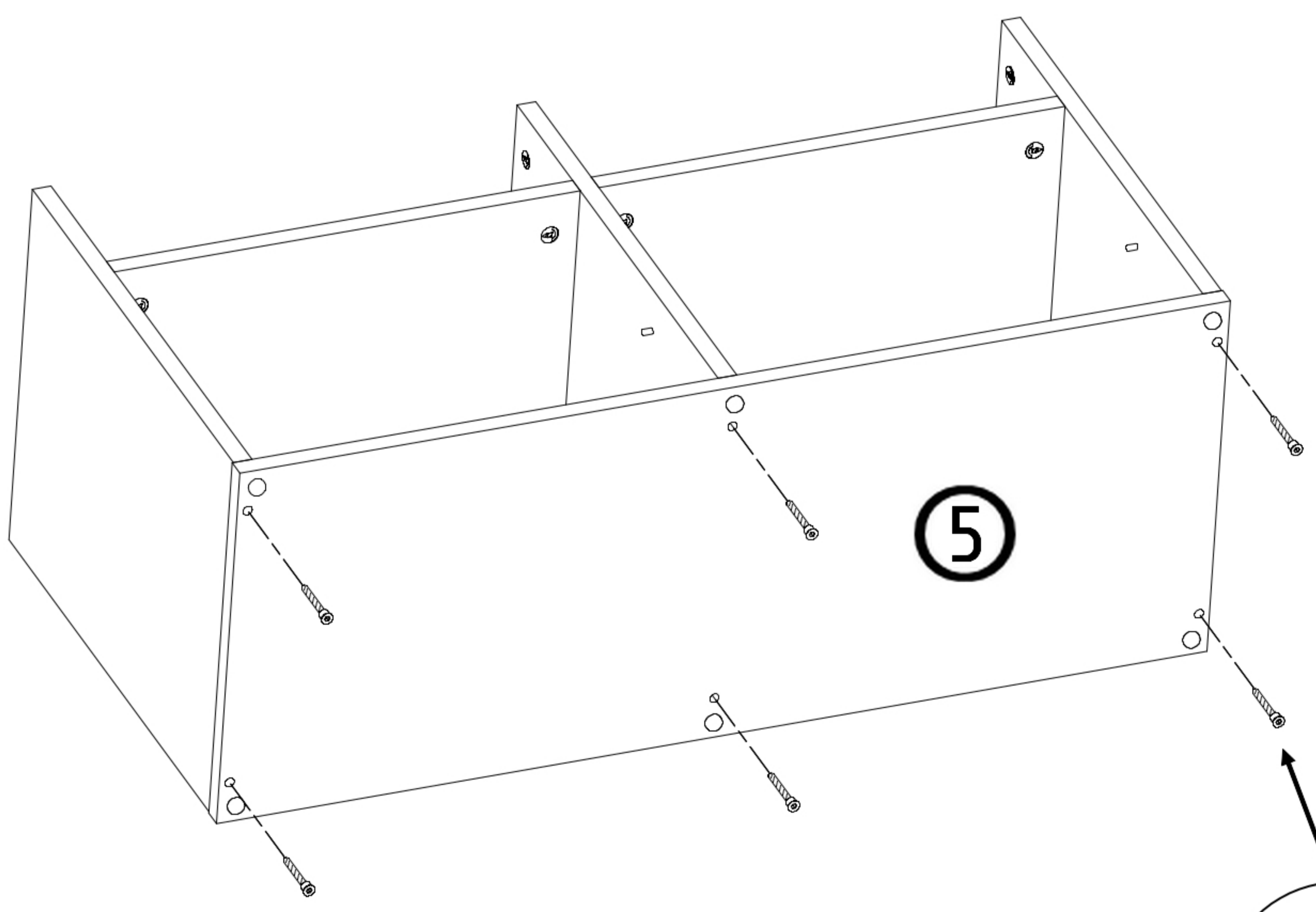
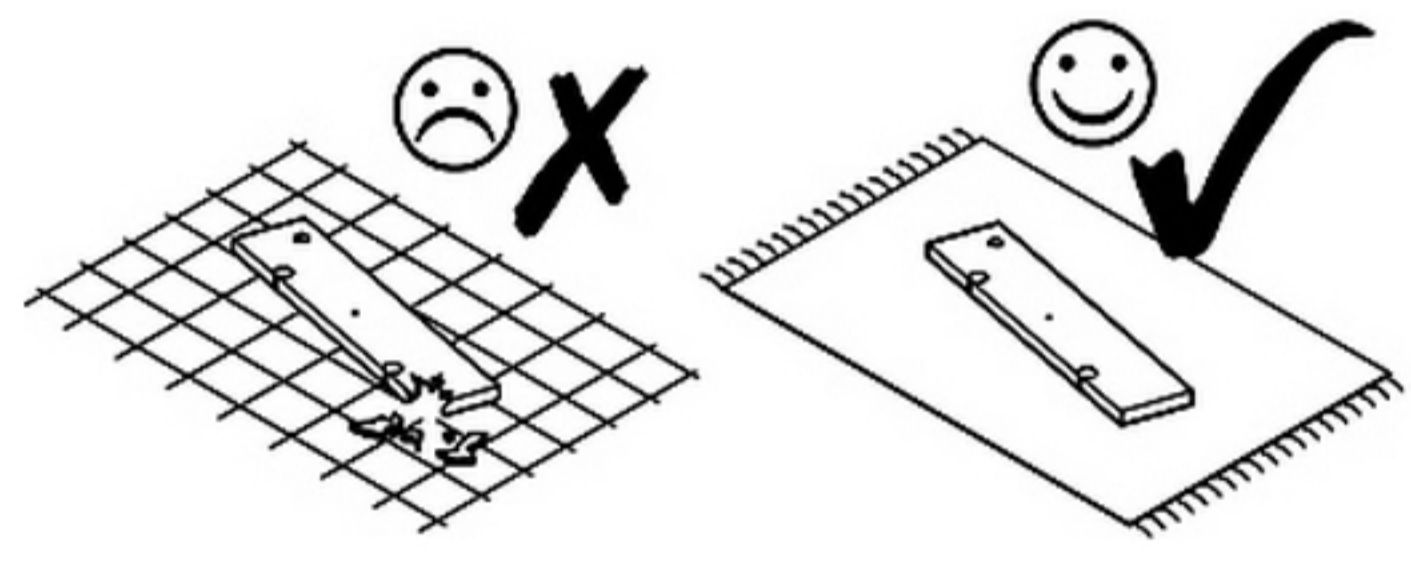
5



T1

x 6



F2

x 6

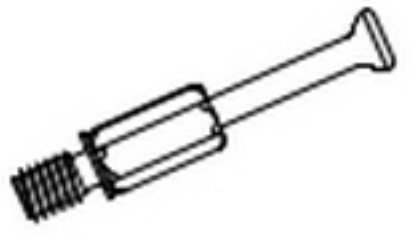
K1

x 1



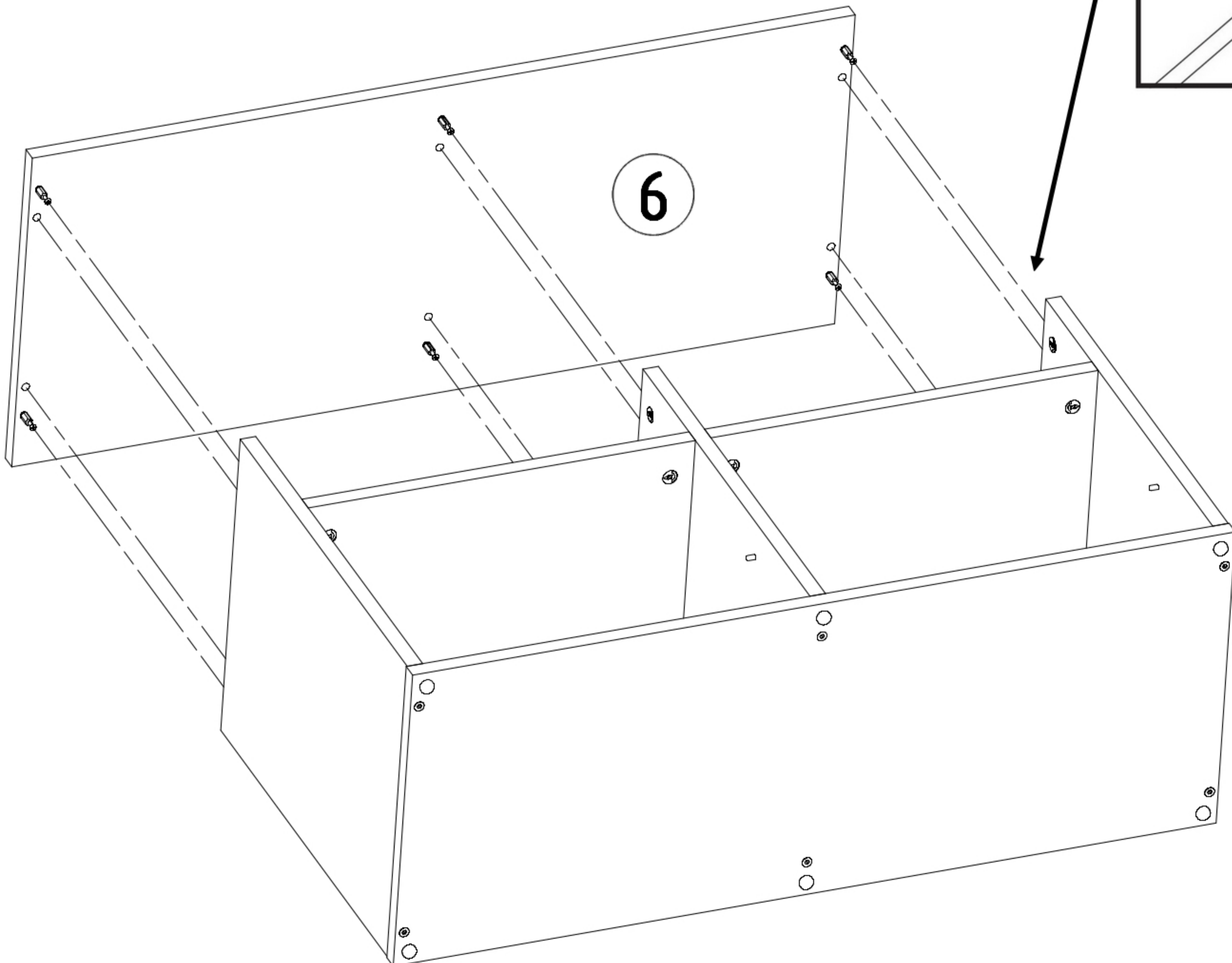
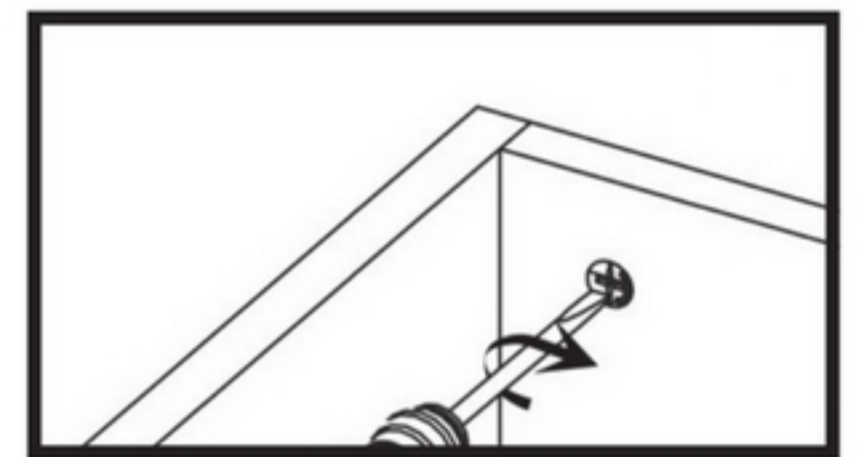
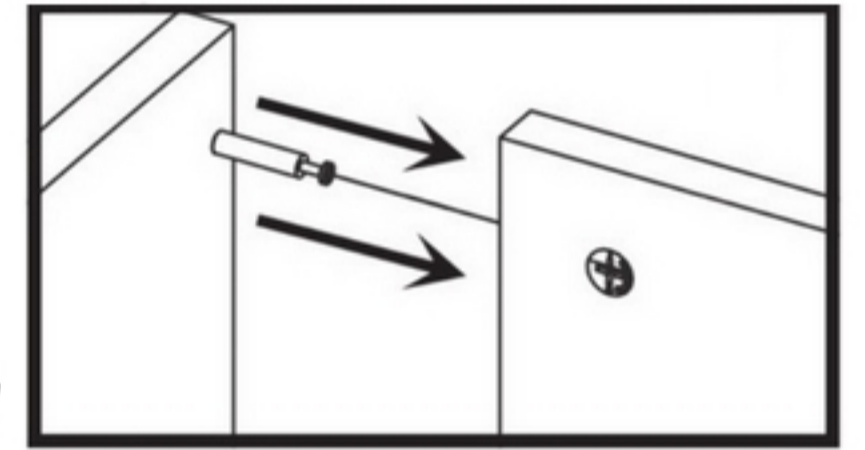
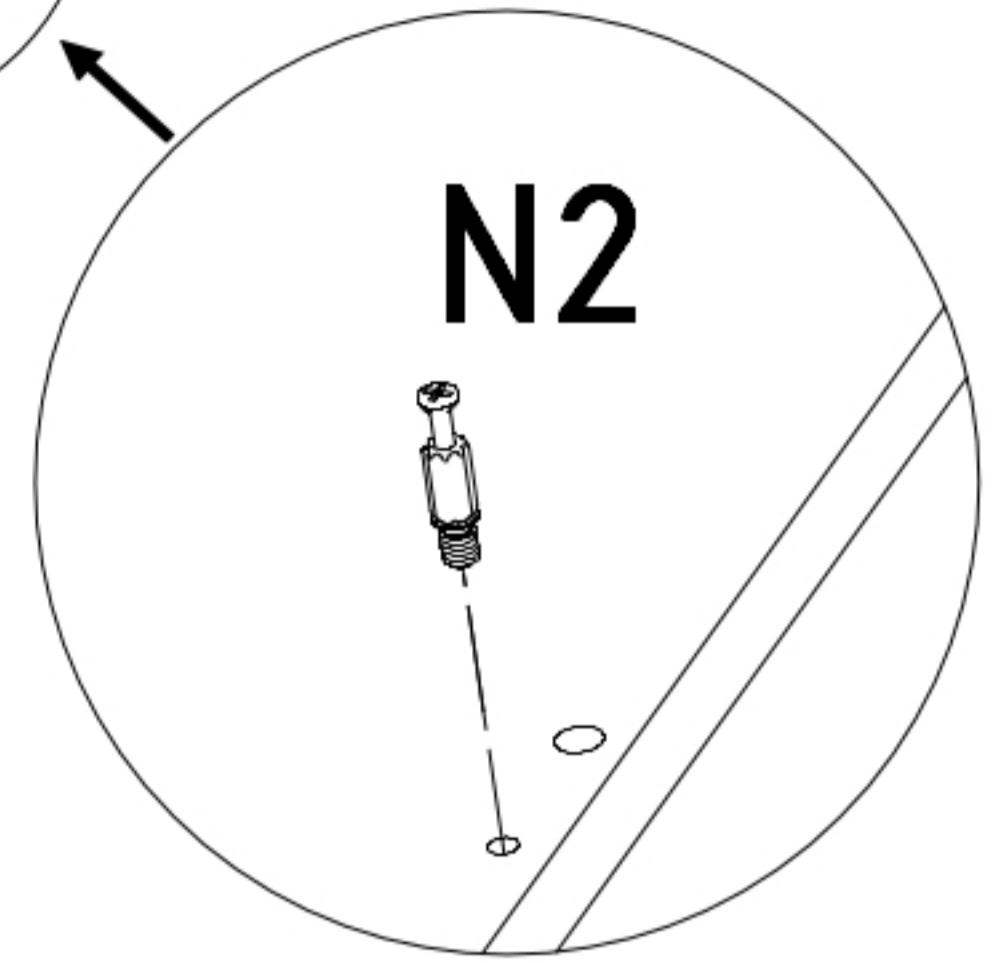
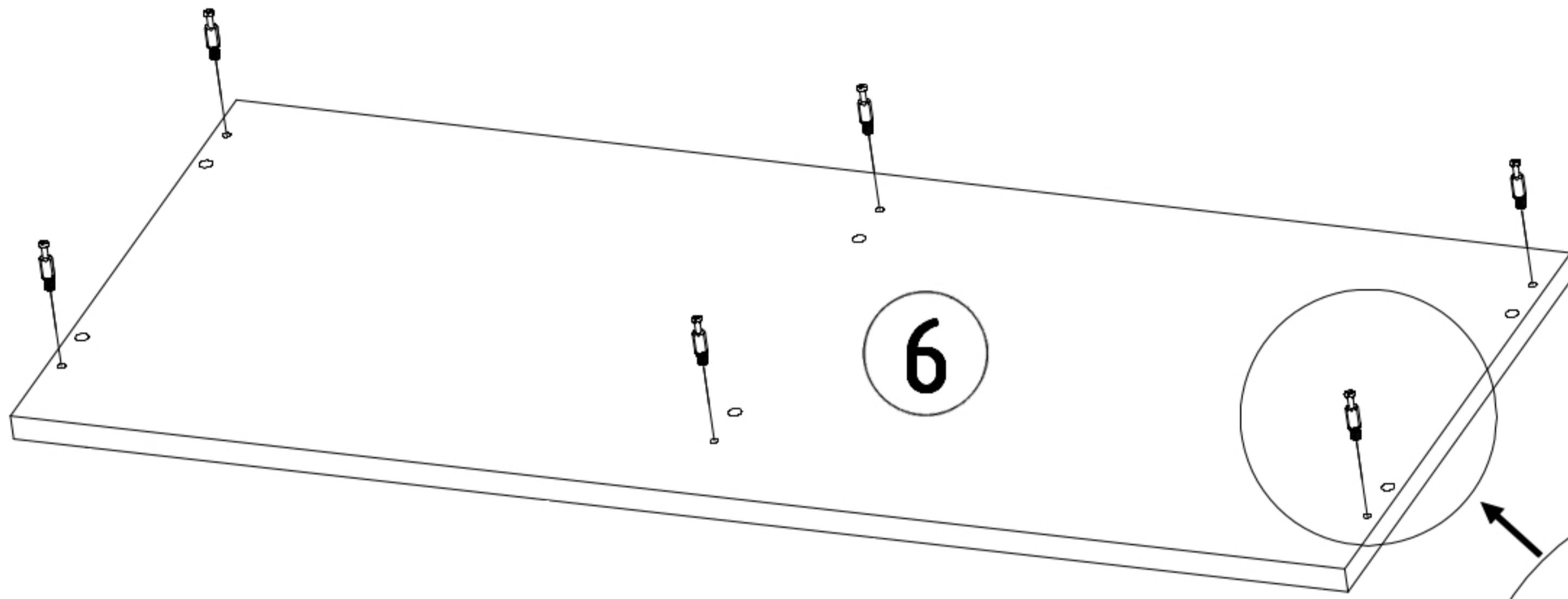
F2

K1





6

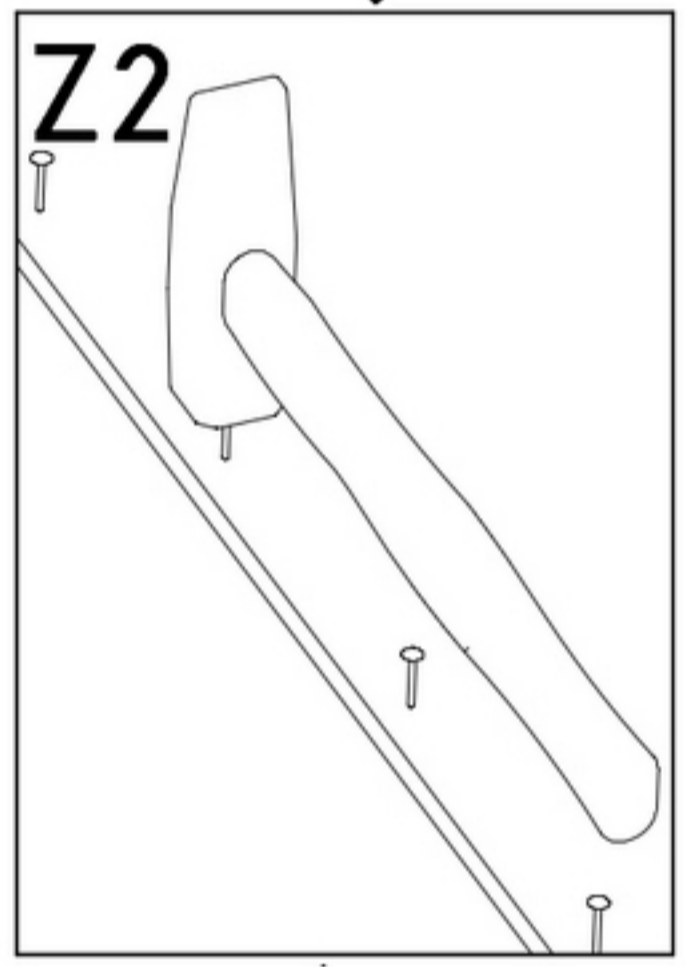
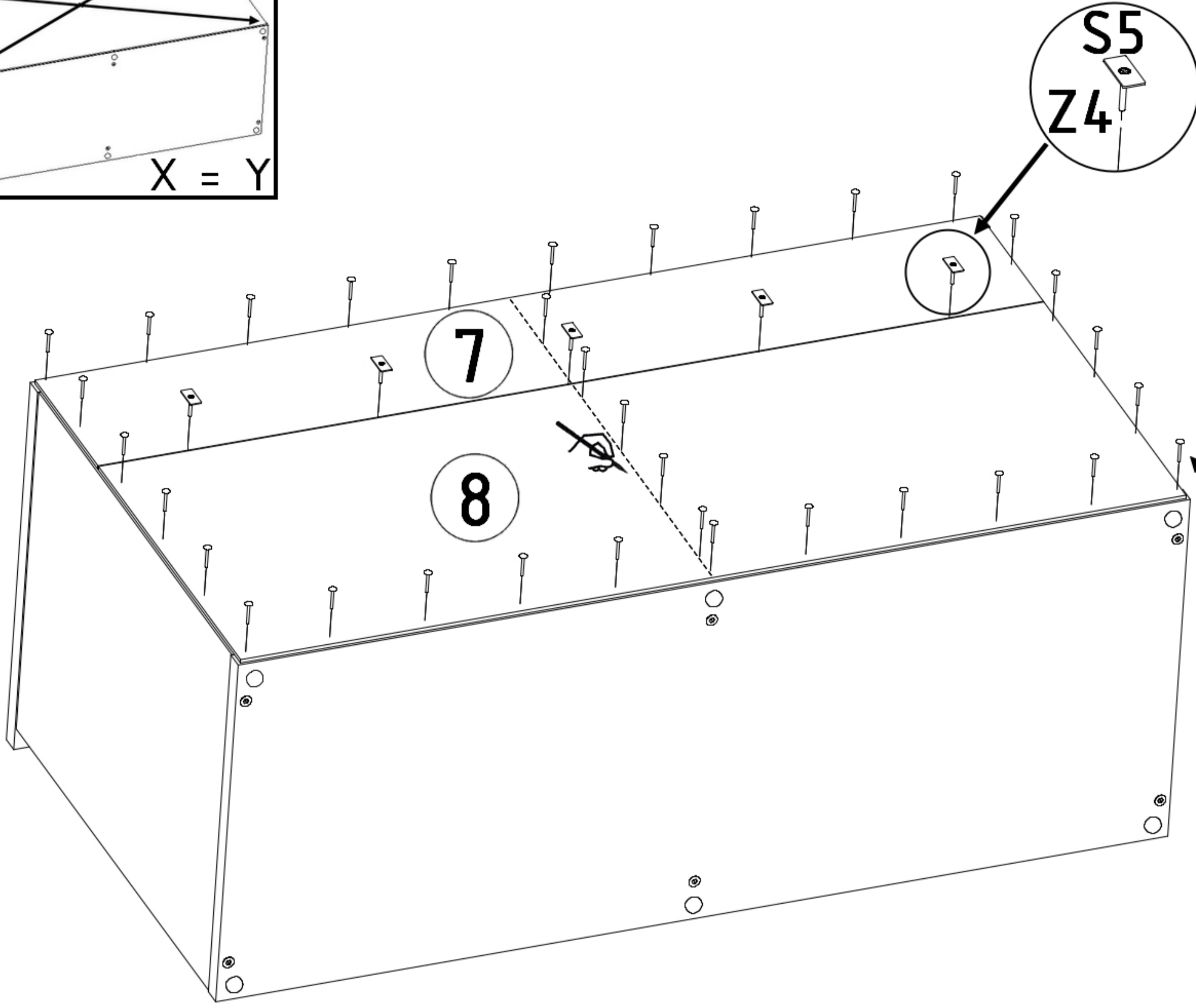
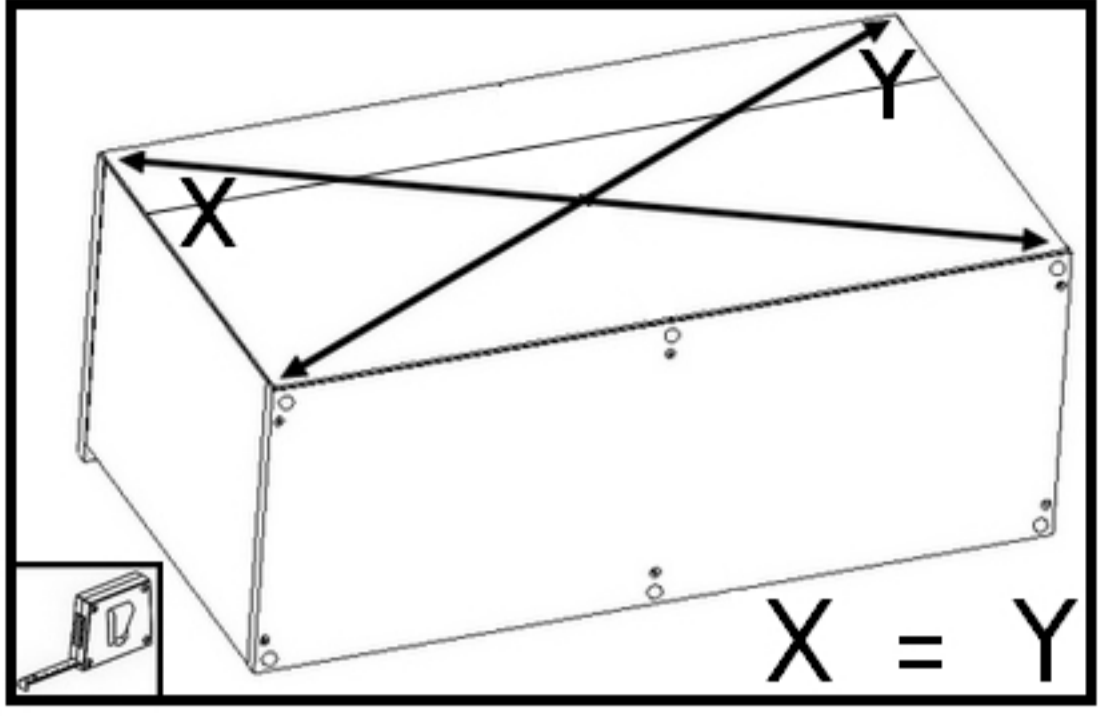
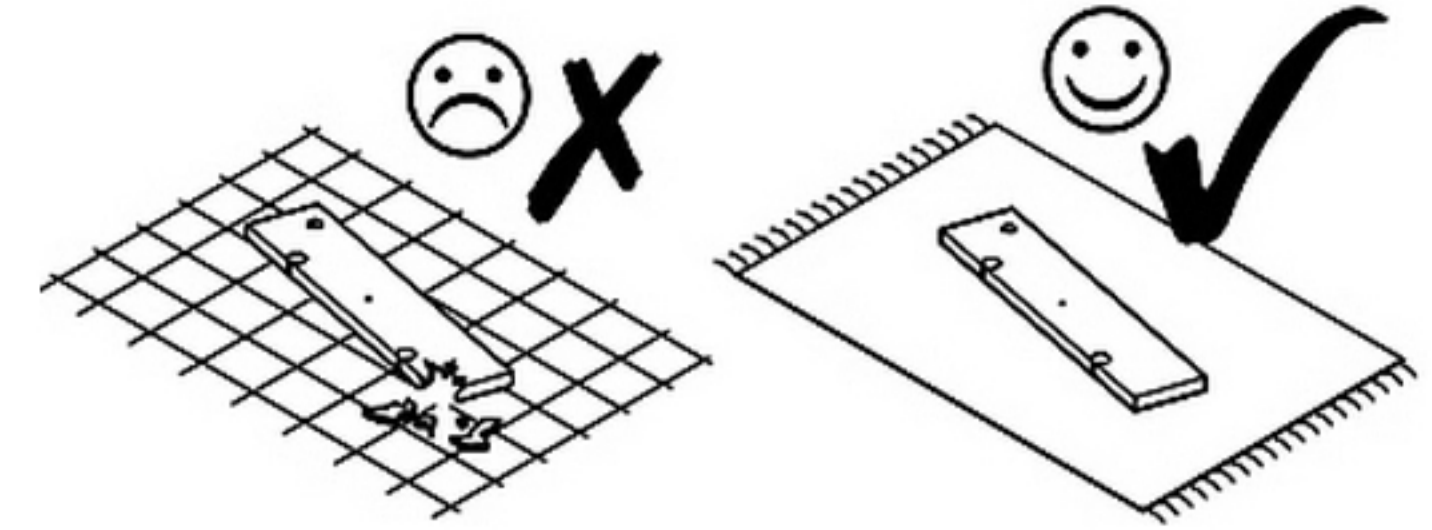
N2


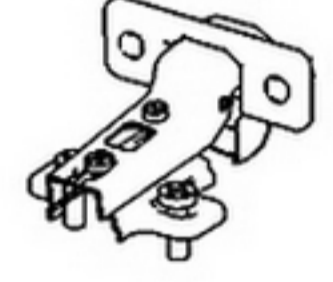
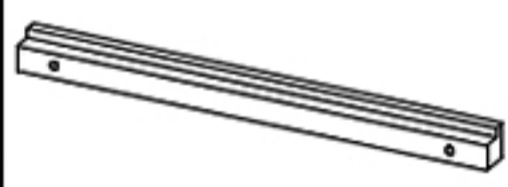



x 6



S5  x 5	Z4  x 5	Z2  x 40
---	---	--



S1  x 4	A0  x 2	U3  x 1	S4  x 2
---	---	---	---

