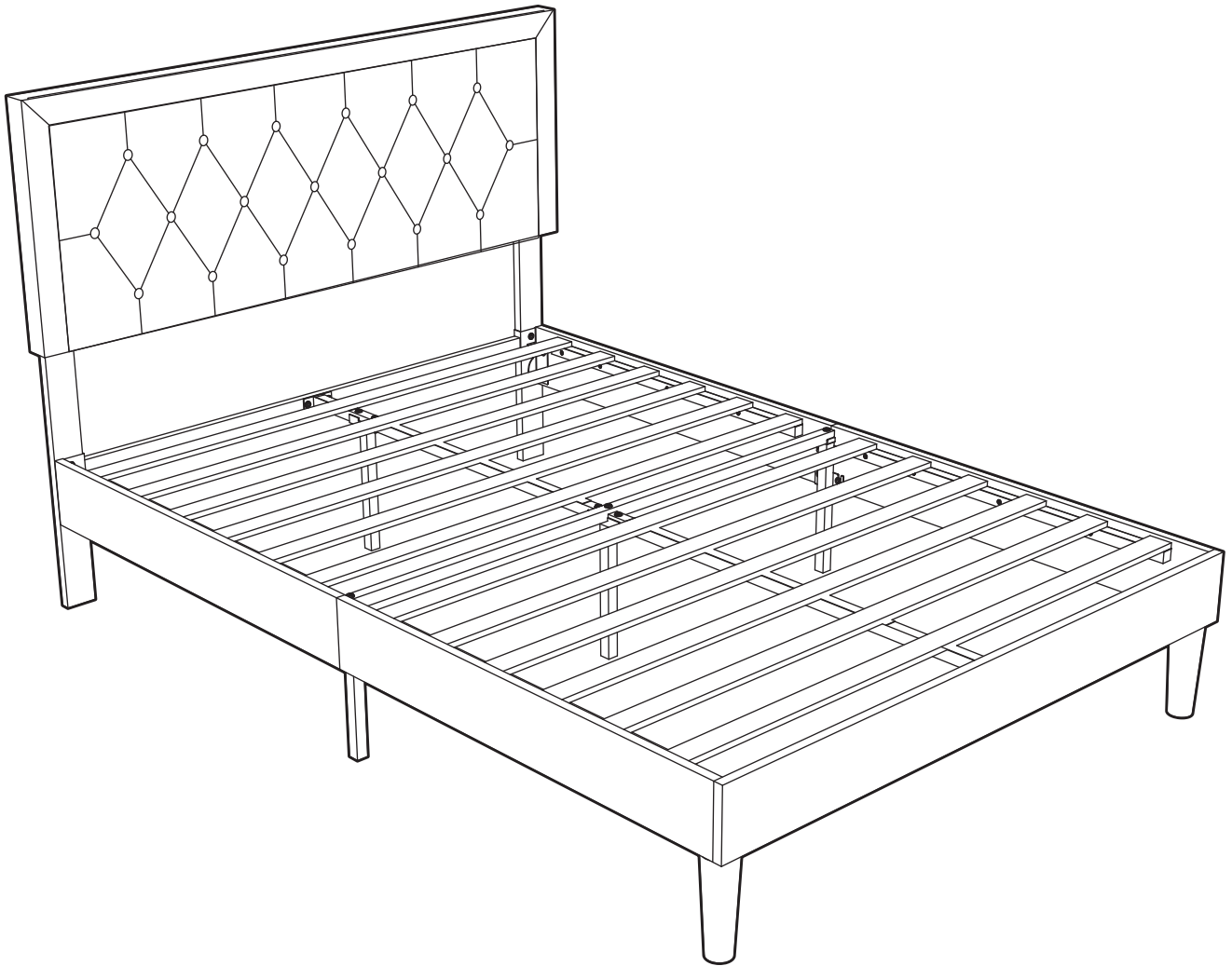


PLATFORM BED

QESBCGB002

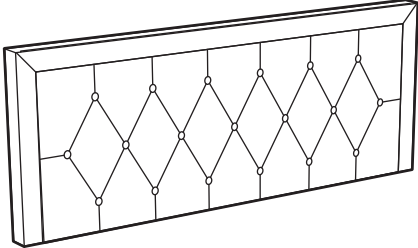
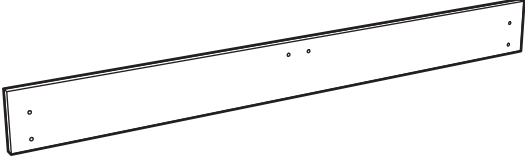
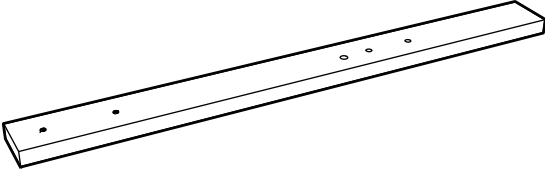
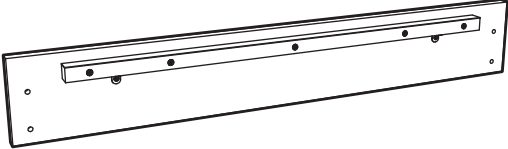
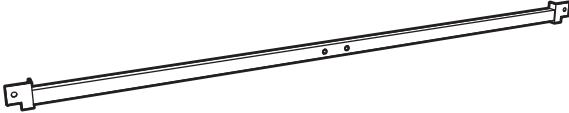
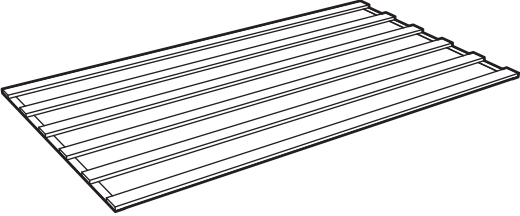
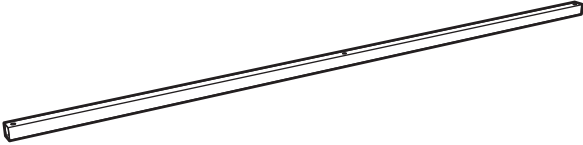
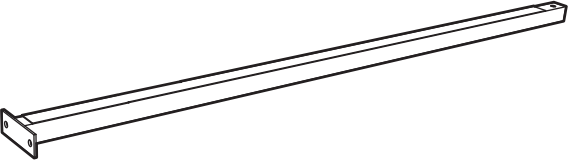
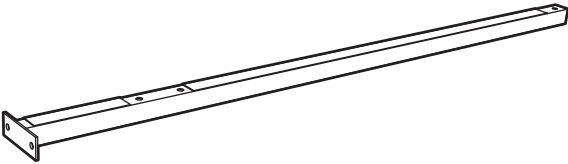
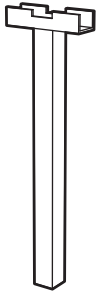
ORIGINAL INSTRUCTION MANUAL

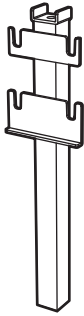

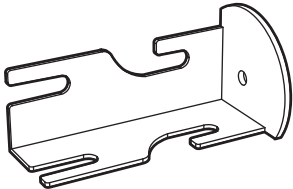
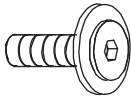
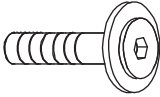
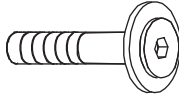

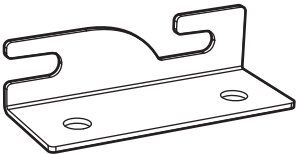
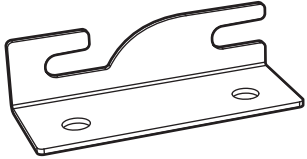


DEAR CUSTOMER,

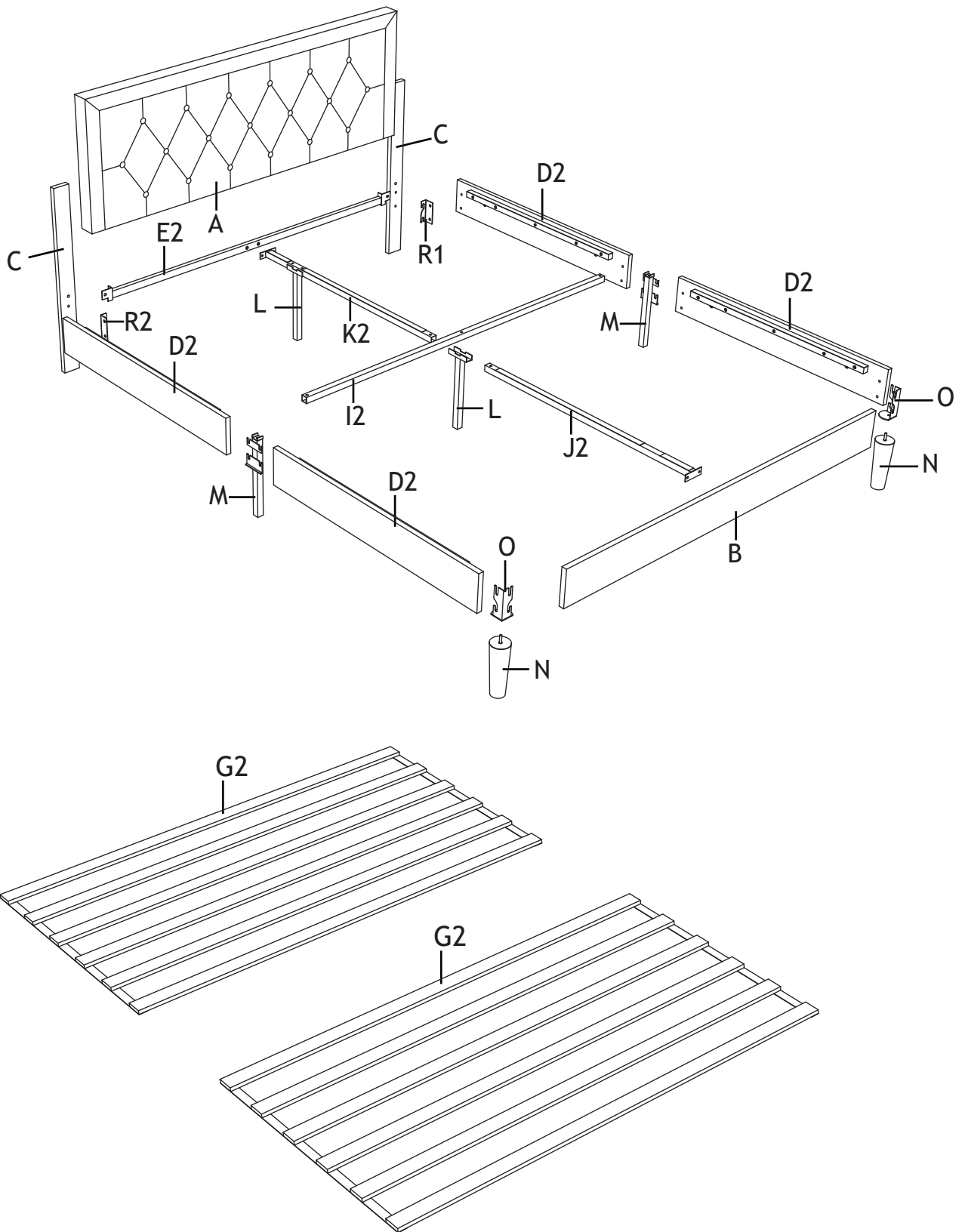
Thank you for choosing our product. Please read this manual carefully before assembling or using the product, to avoid damage caused by improper use. If the product is passed on to third parties, this manual has to be passed on along with the product. If you have any questions, please don't hesitate to contact us.

PARTS LIST

A  1×	B  1×
C  2×	D2  4×
E2  1×	G2  2×
I2  1×	J2  1×
K2  1×	L  2×

<p>M</p>  <p>2×</p>	<p>N</p>  <p>2×</p>	
<p>O</p>  <p>2×</p>	<p>Q1</p>  <p>30×</p> <p>M8×18MM</p>	
<p>Q2</p>  <p>6×</p> <p>M8×35MM</p>	<p>Q3</p>  <p>5×</p> <p>M8×45MM</p>	
<p>Q4</p>  <p>1×</p> <p>SPANNER</p>	<p>R1</p>  <p>1×</p>	<p>R2</p>  <p>1×</p>

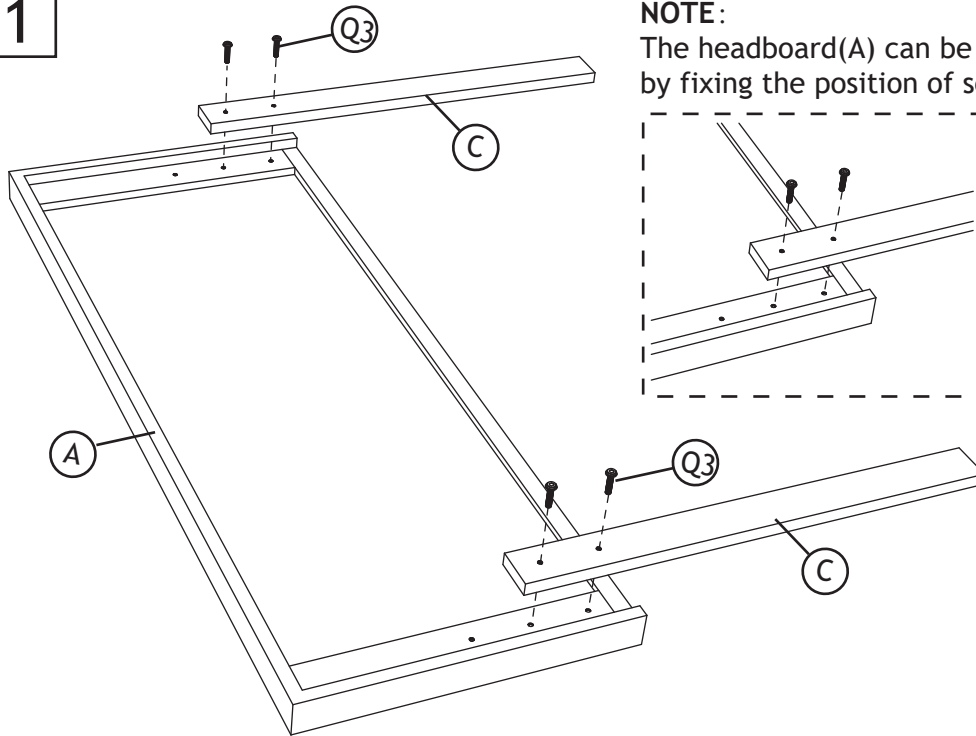
EXPLOSION VIEW



ASSEMBLY

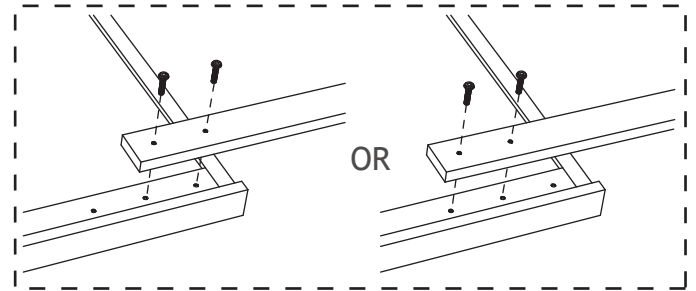
Before your installation, please make sure that you have all the parts listed on the manual. If you find something missing, please stop assembling contact your supplier immediately.

1

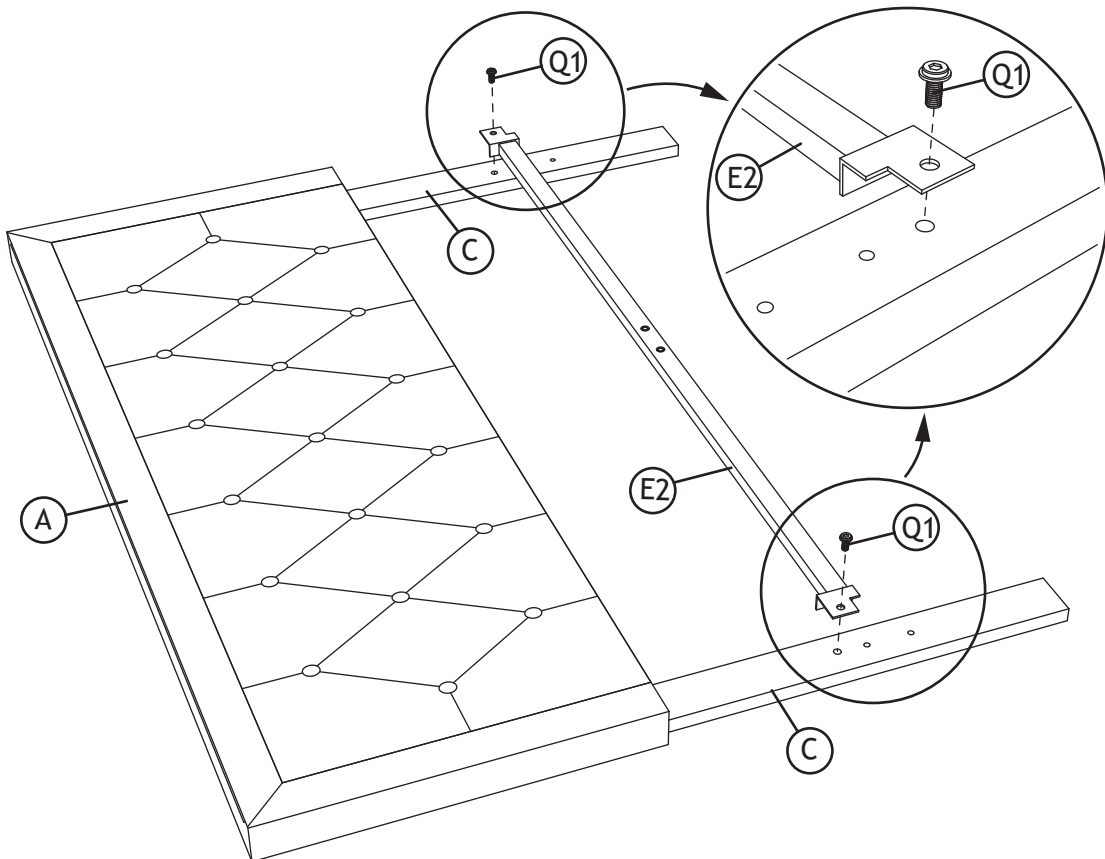


NOTE:

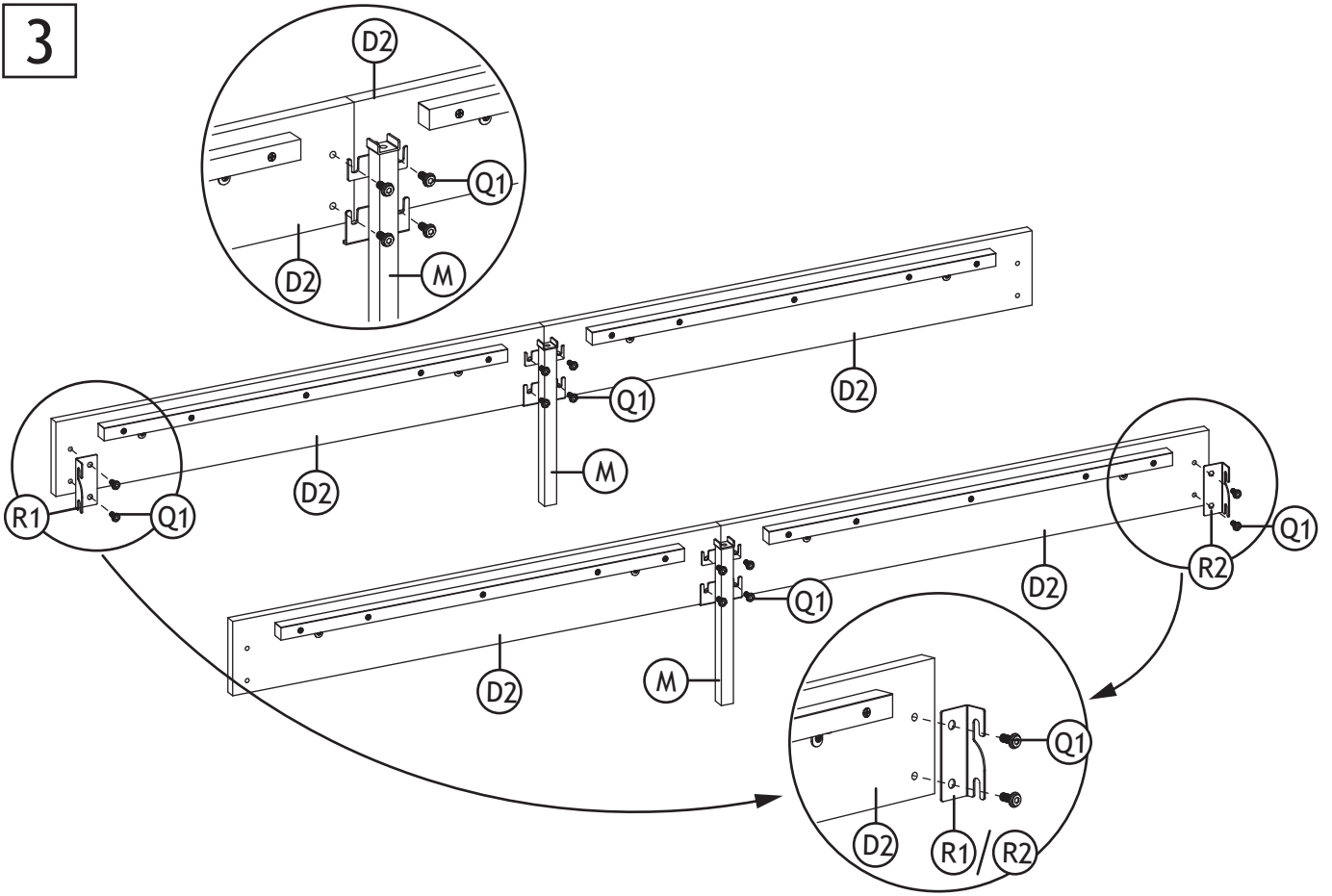
The headboard(A) can be adjusted up and down by fixing the position of screws on the back.



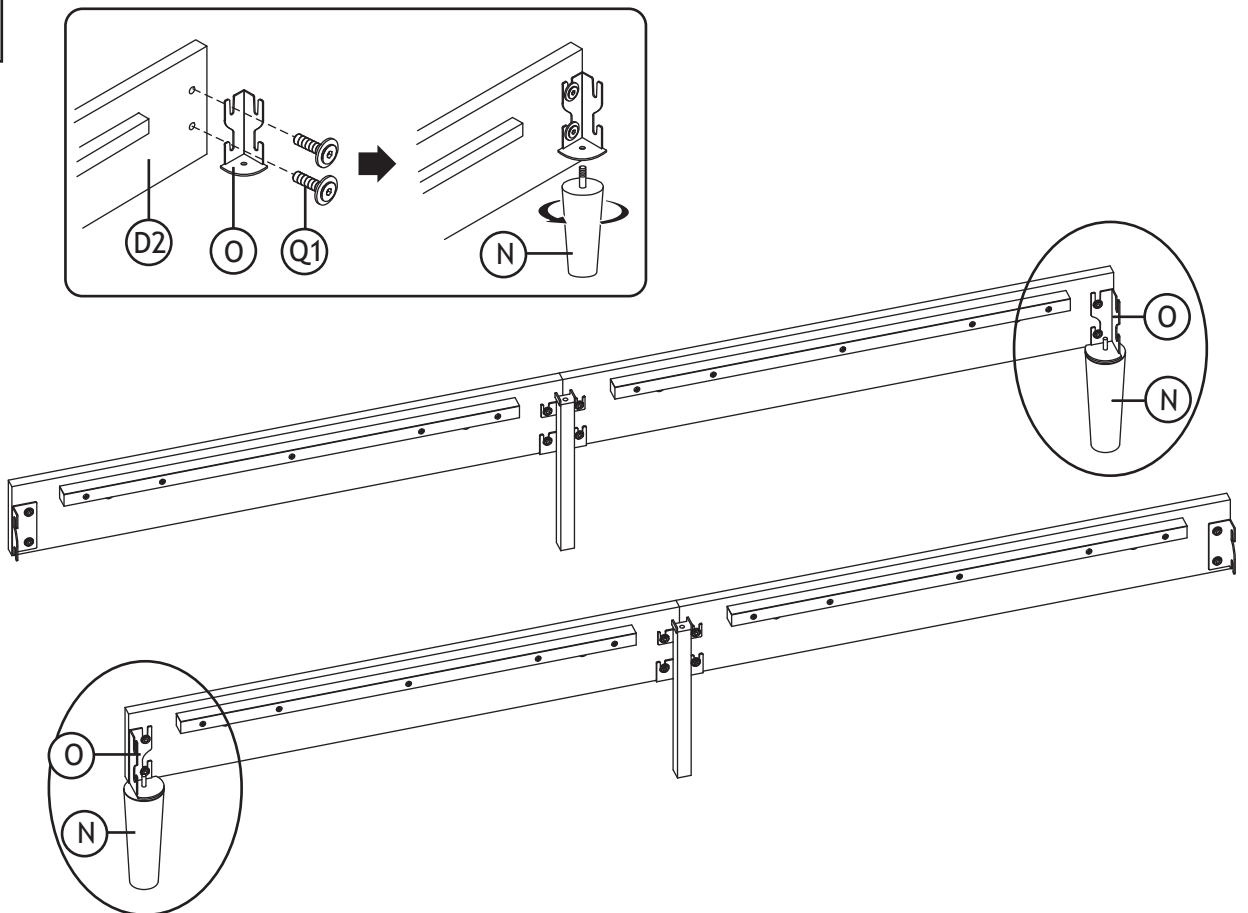
2



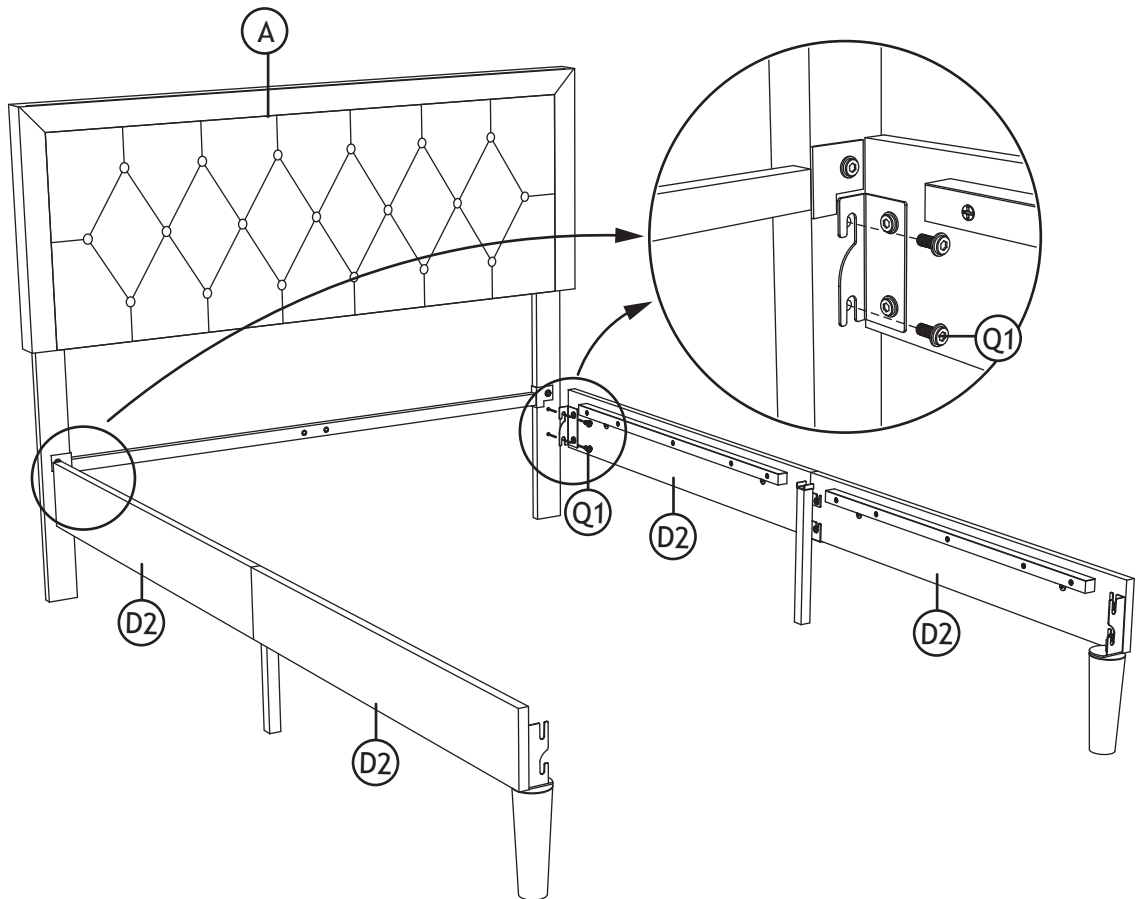
3



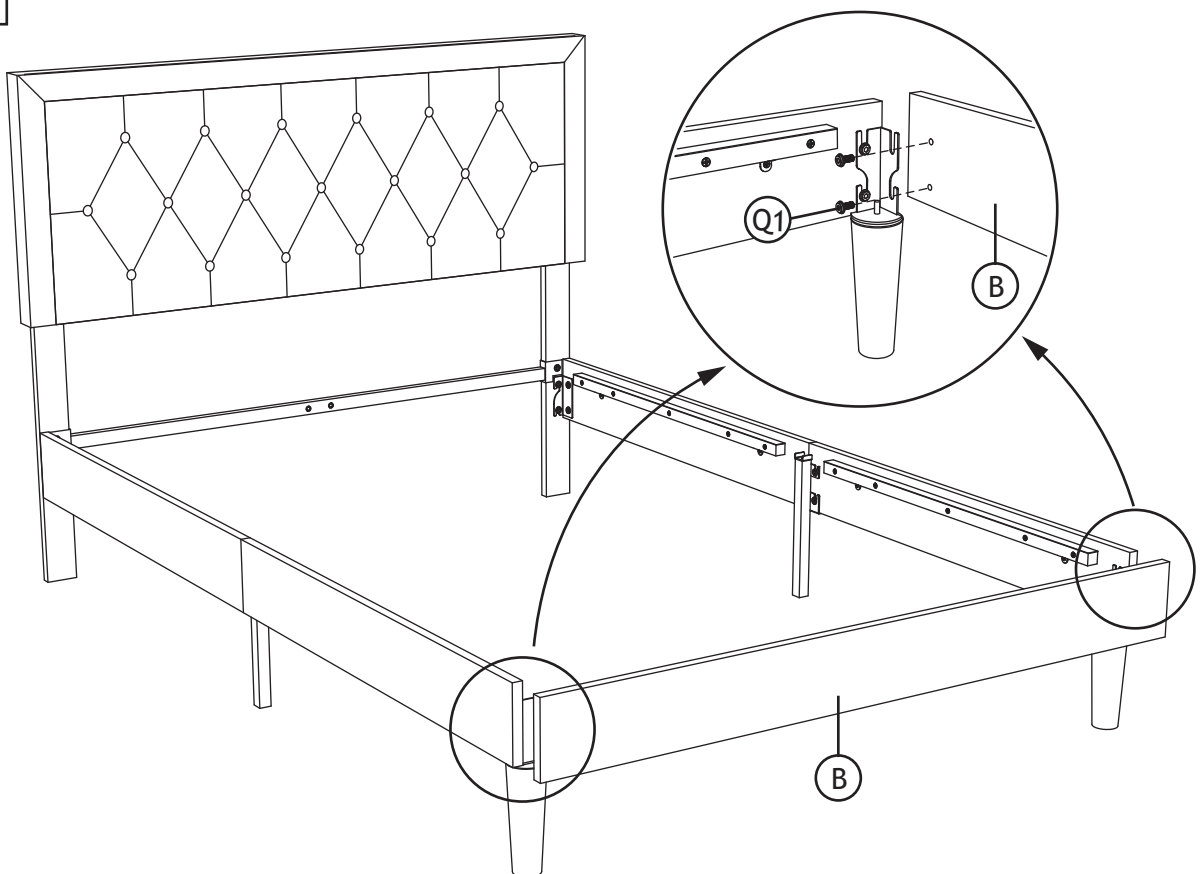
4



5

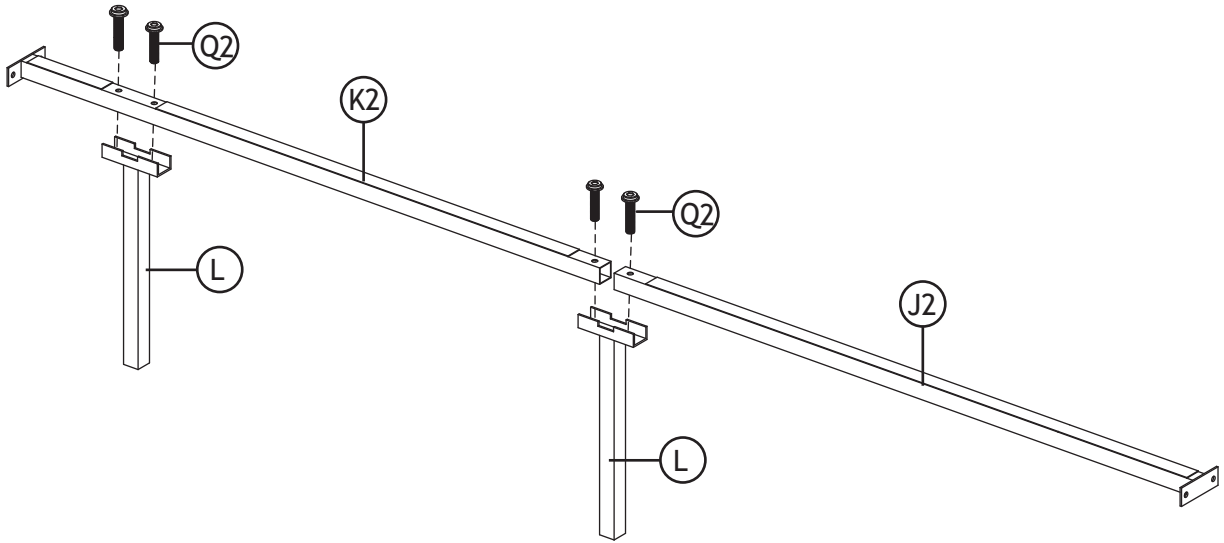


6

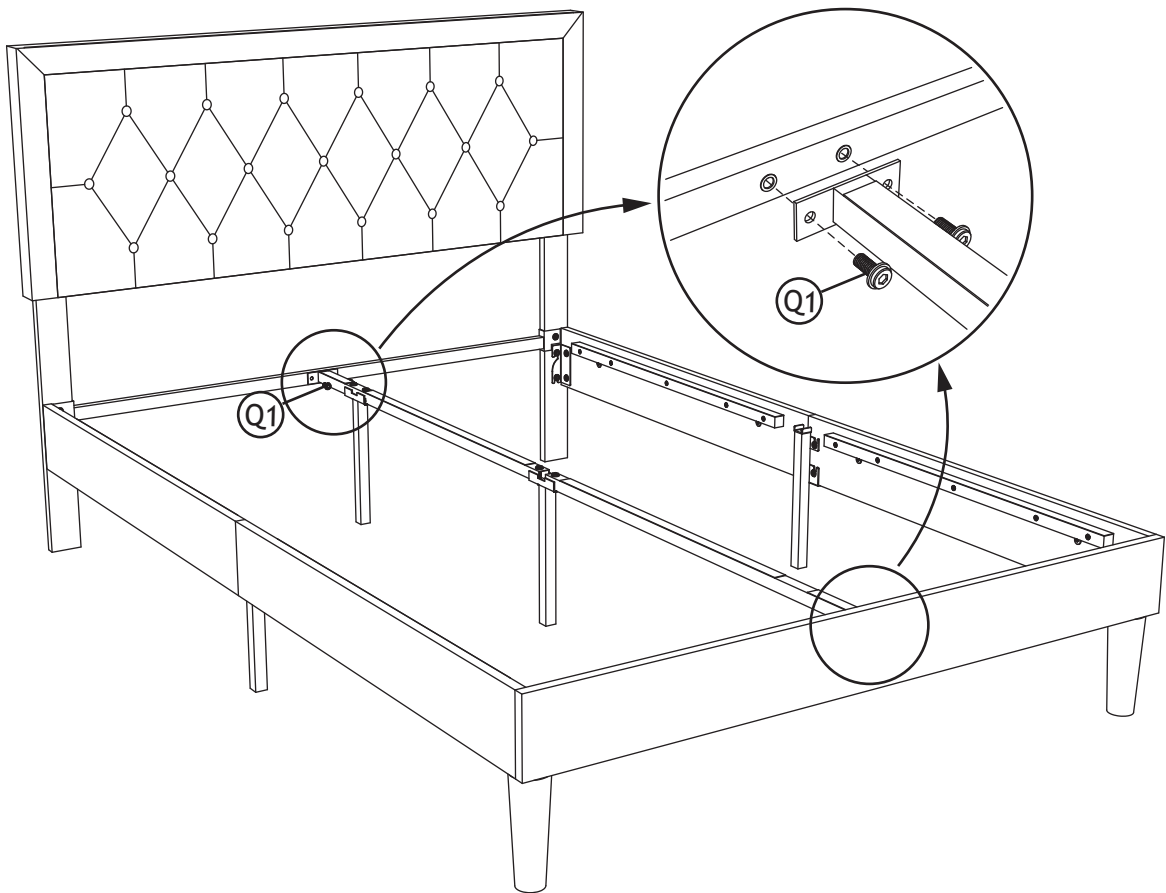


7

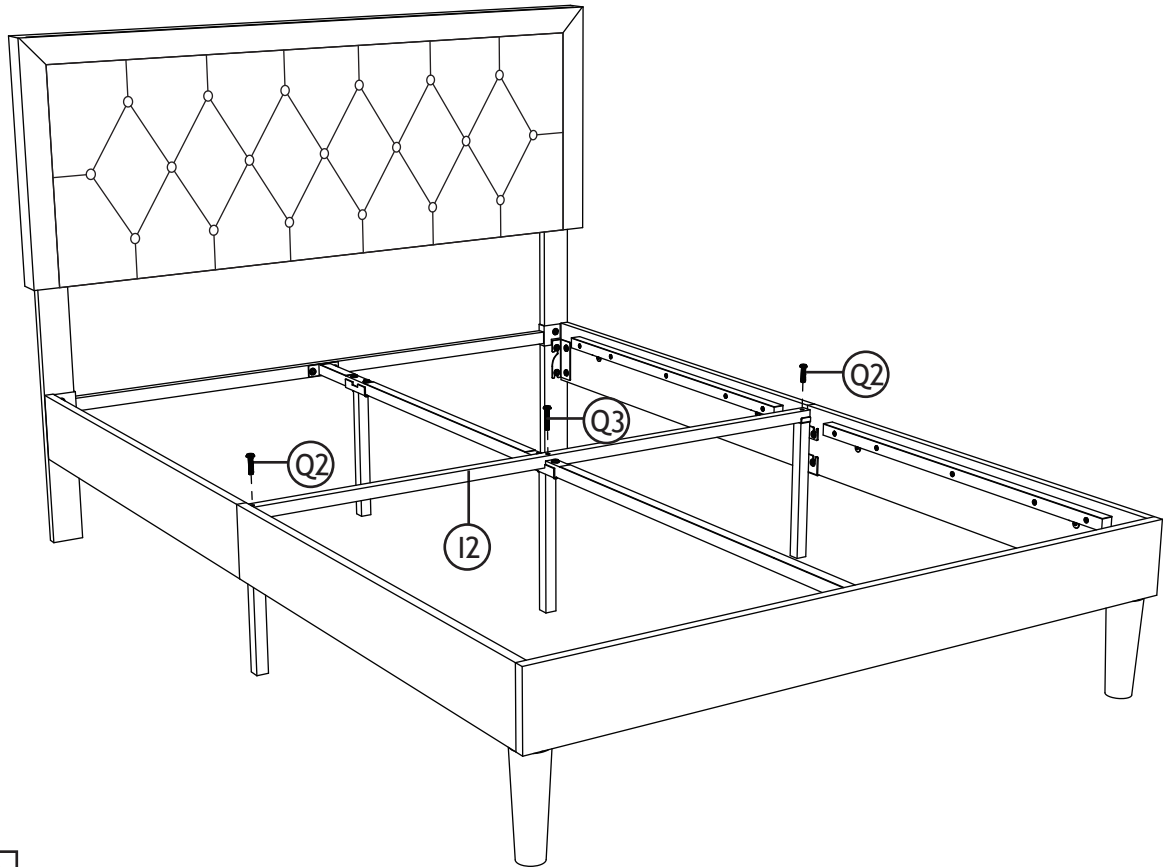
7



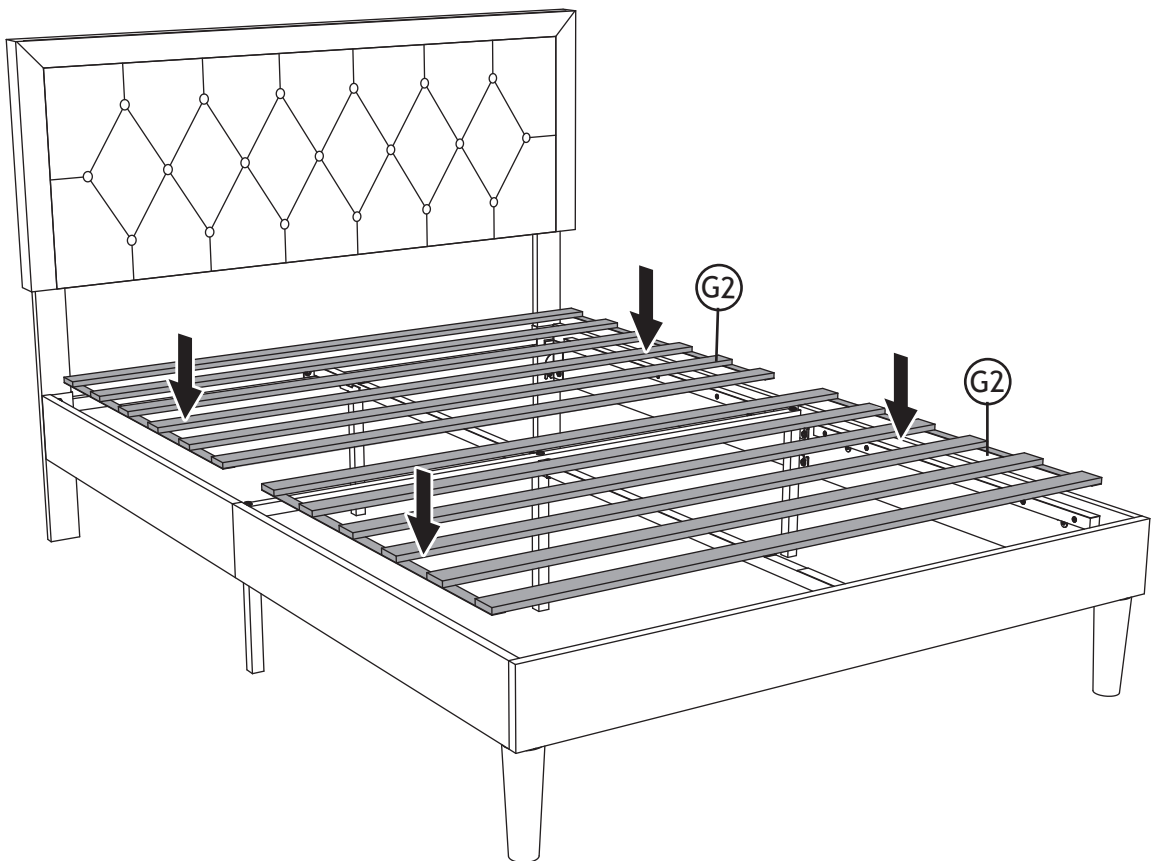
8



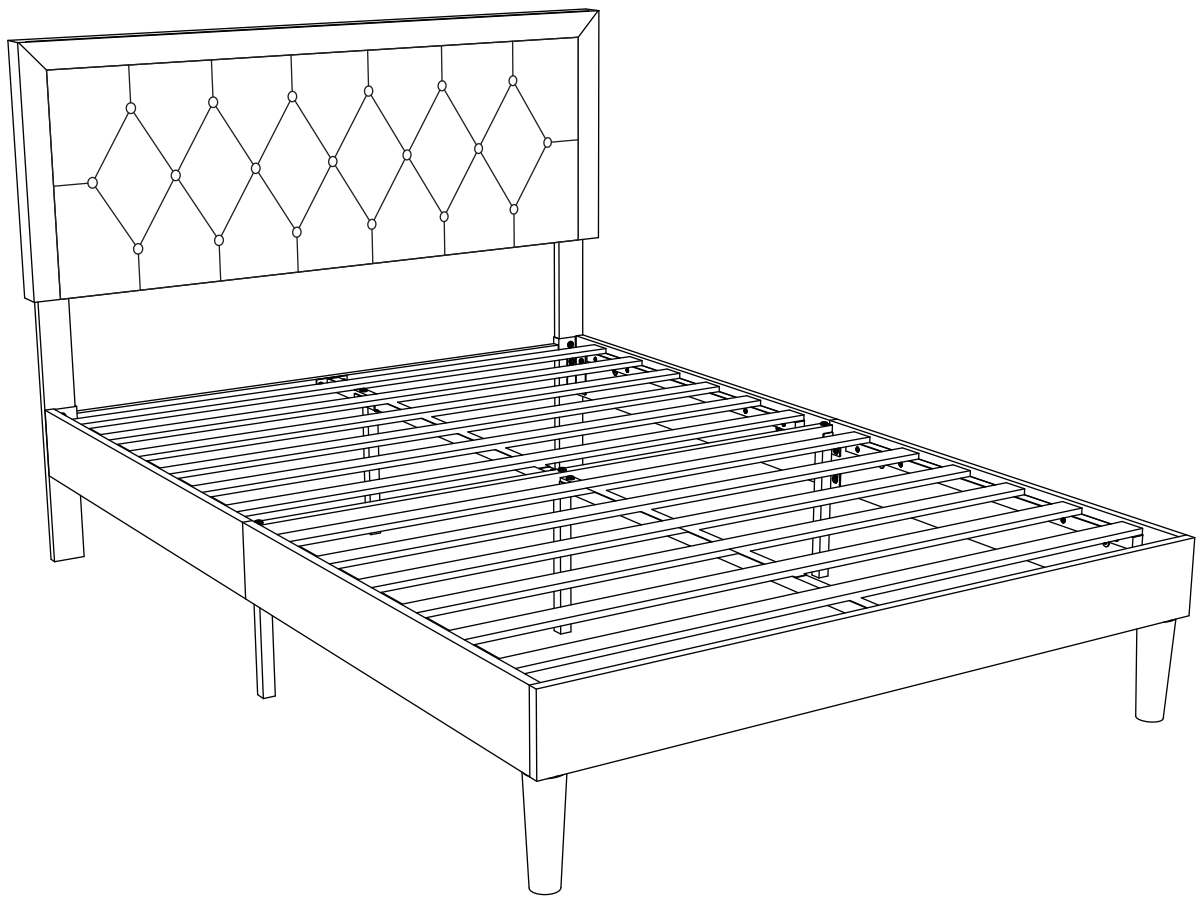
9



10



11



Assembly completed.

Made in China