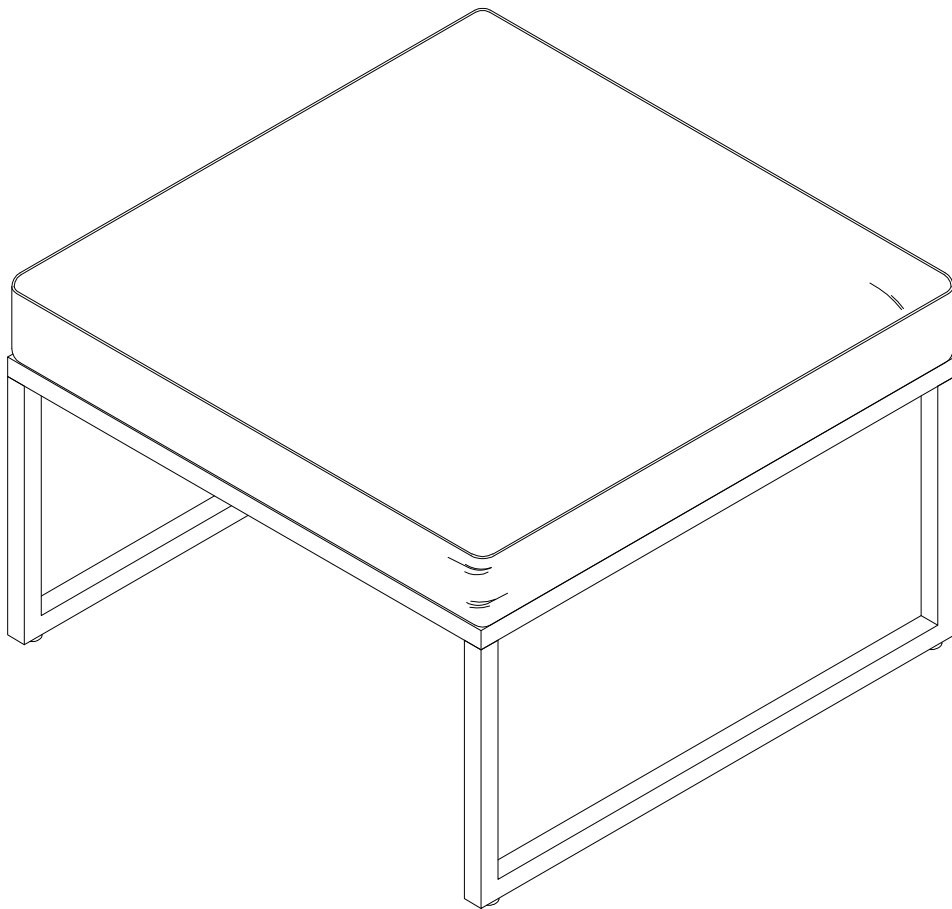
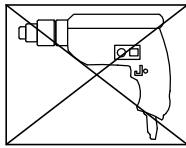


Assembly Instructions



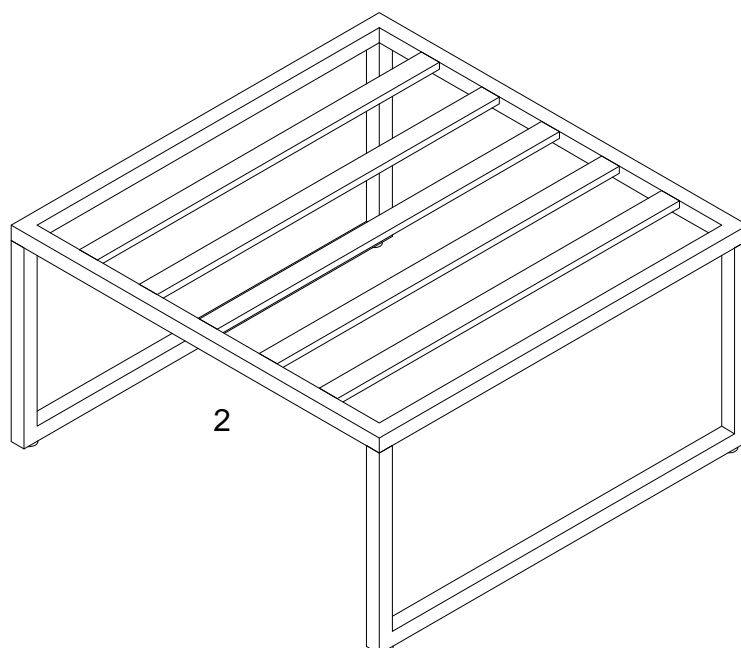
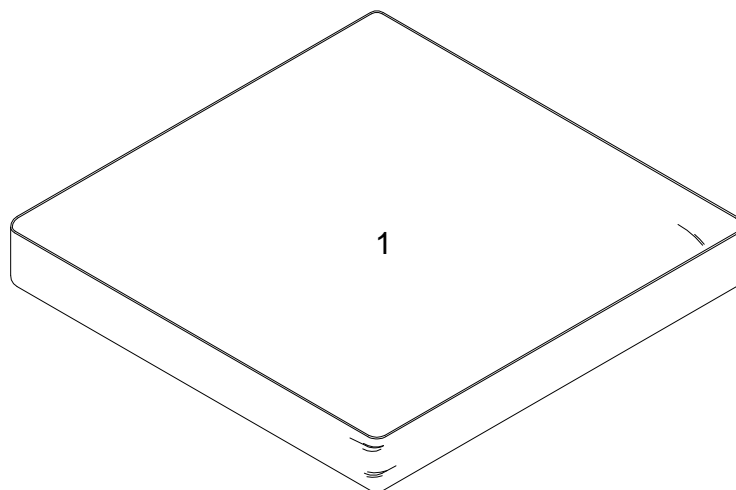
General Assembly Guidelines

- I. Ensure that all parts and hardware are available before beginning assembly.
- II. Follow each step carefully to ensure the proper assembly of this product.
- III. Two people are recommended for ease in the assembly of this product.
- IV. The main type of hardware used to assemble this product are: bolts and screws.
- V. Power tools should not be used to assemble this product.

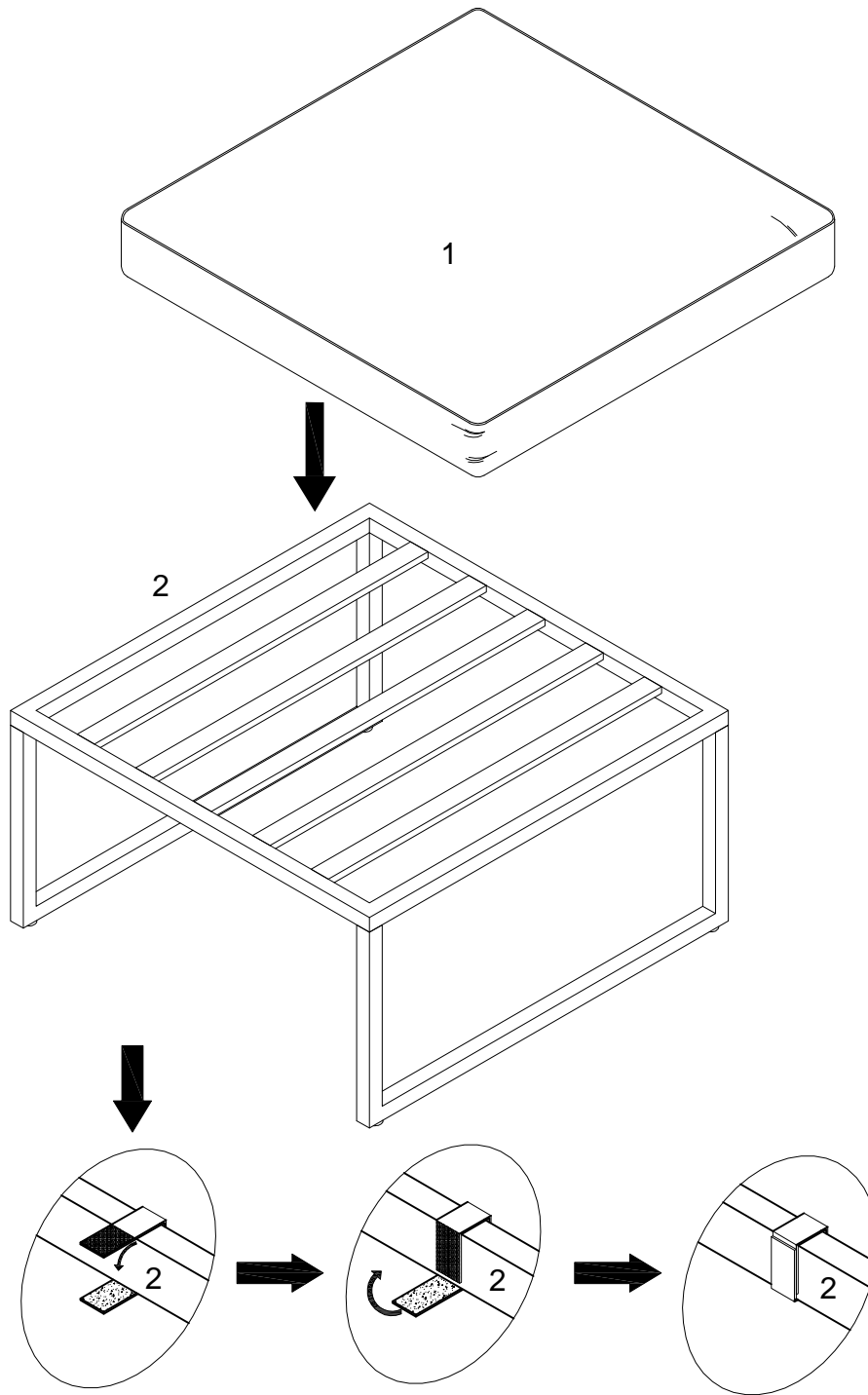


- VI. Drill may be needed for securing product to wall.

Parts List

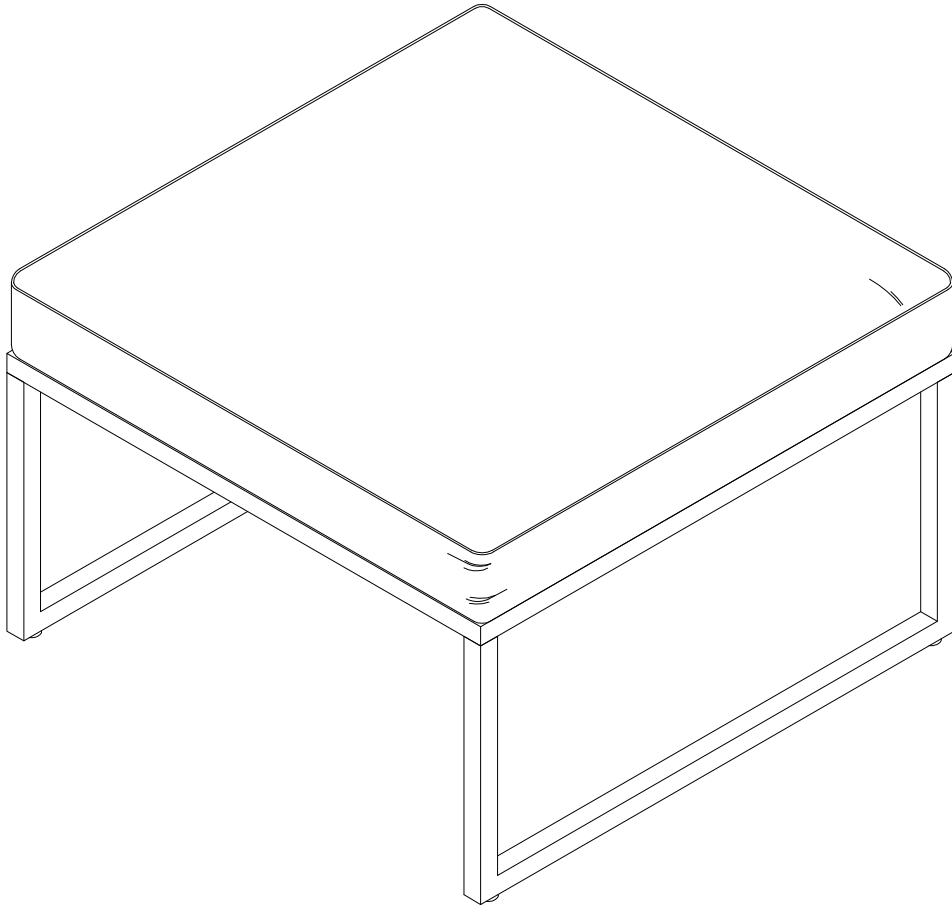


Step 1



Place cushion (1) on part (2), using loop strap to fix the cushion as per diagram.

Step 2



Final Assembly