

K 40pcs

A 28pcs

B 16pcs

3.5x15mm

C 40pcs

3.5x35mm

D 2pcs

E 6pcs

8x40mm

F 2pcs

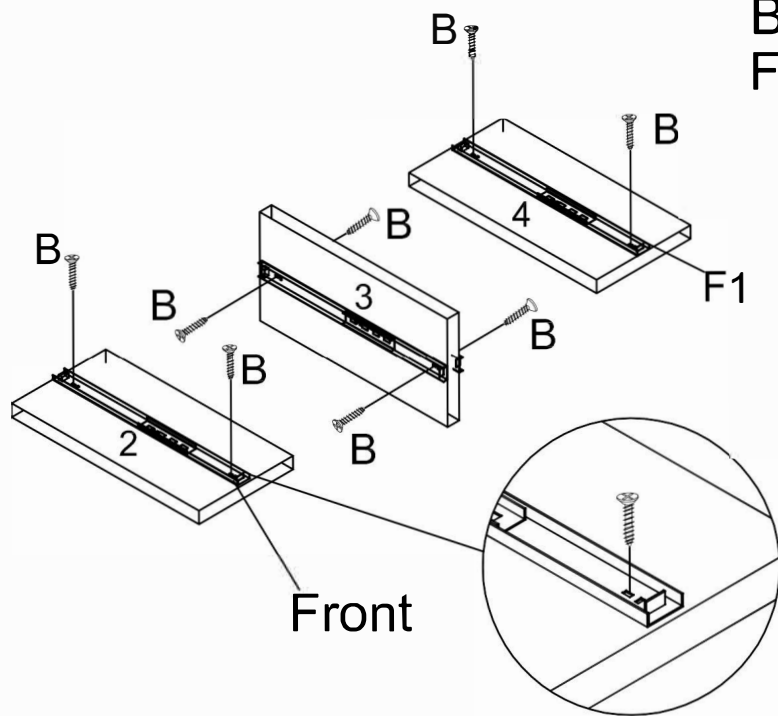
G 1pcs

H 4pcs

I 2pcs

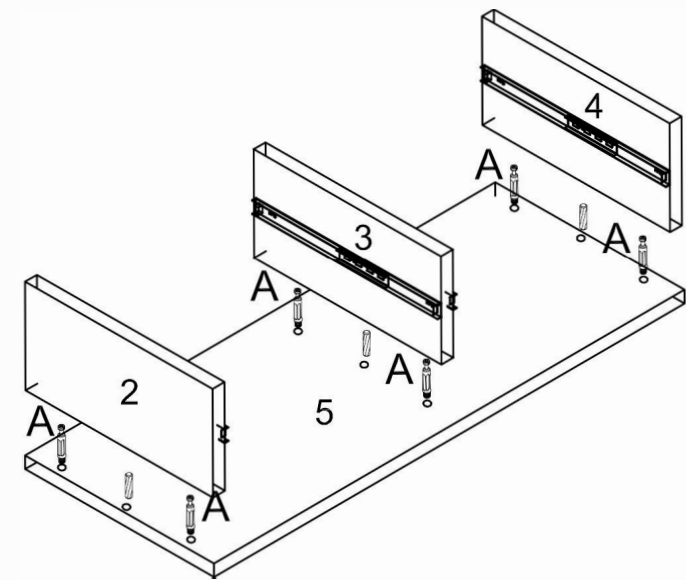
J 20pcs

1



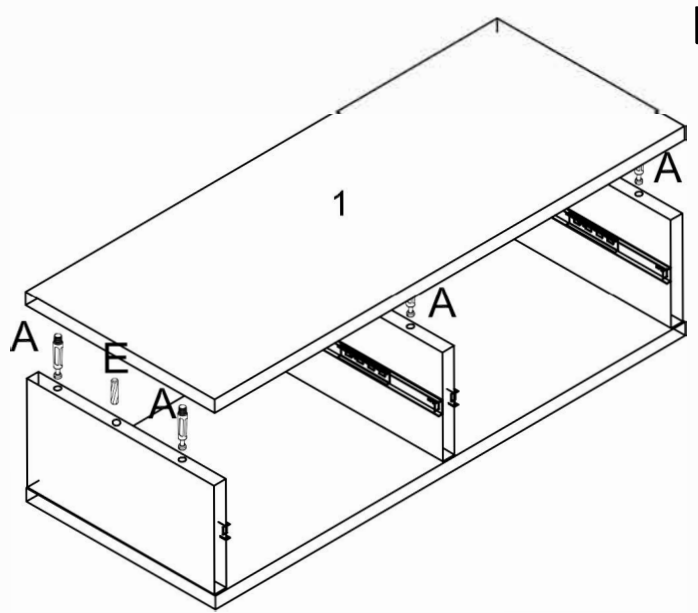
Bx8
F1x4

2



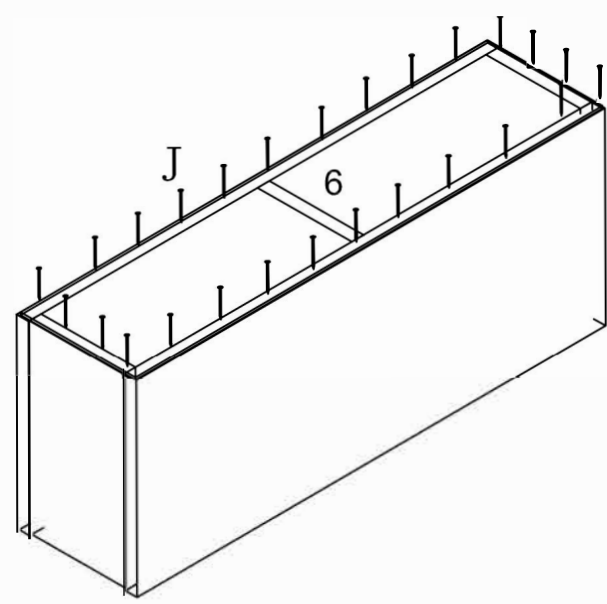
Ax6
Ex3

3



Ax6
Ex3

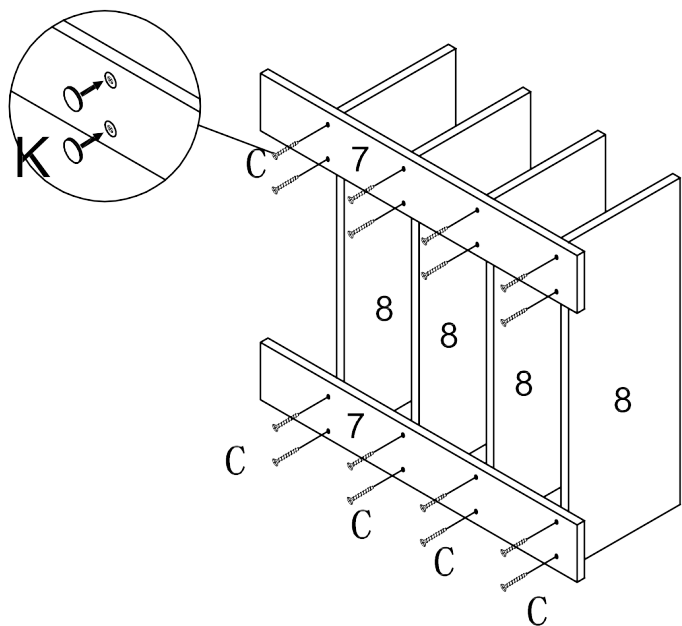
4



Jx20

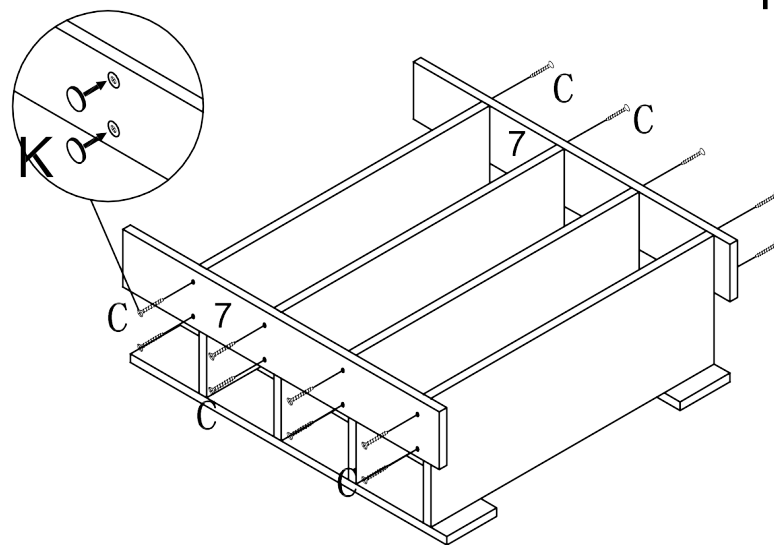
5

Cx16
Kx16



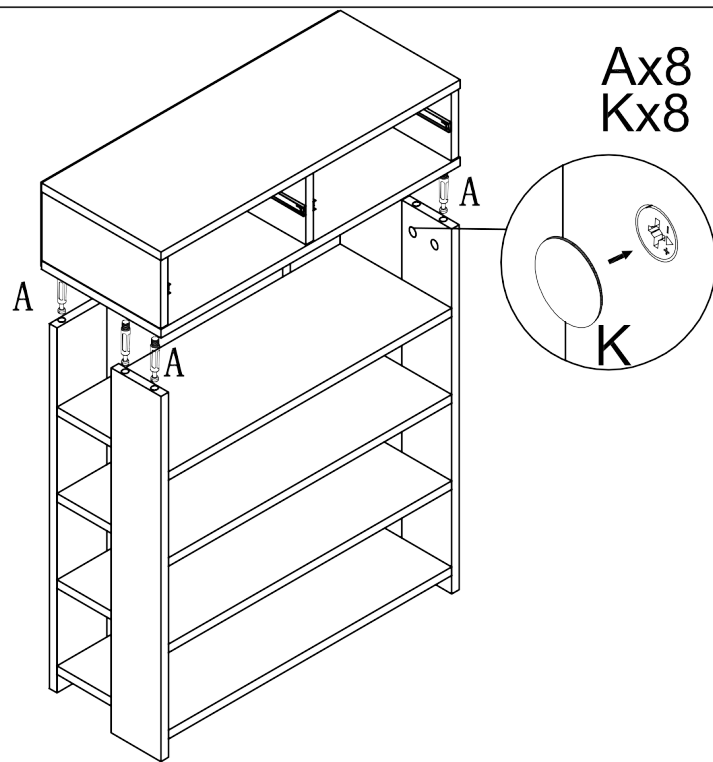
6

Cx16
Kx16



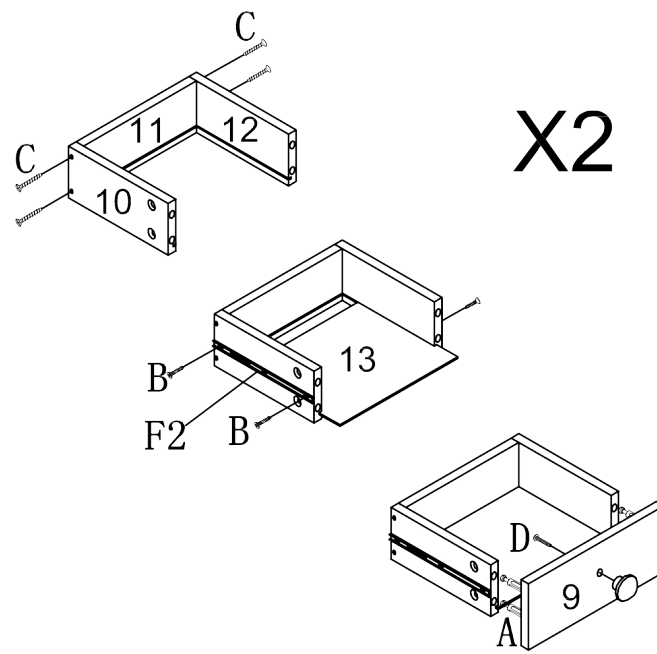
7

Ax8
Kx8



8

Ax8
Bx8
Cx8
Dx2
F2x4



Ix2
Bx1
Gx1

