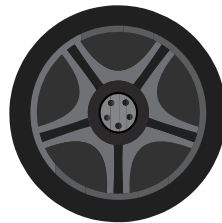
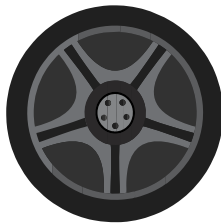
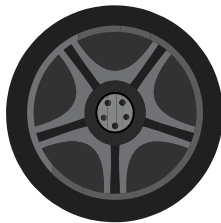
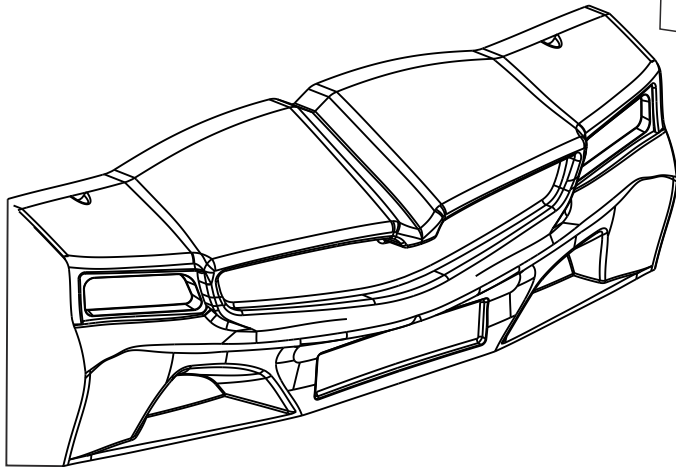
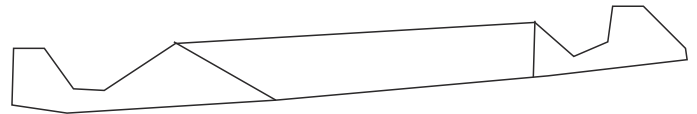
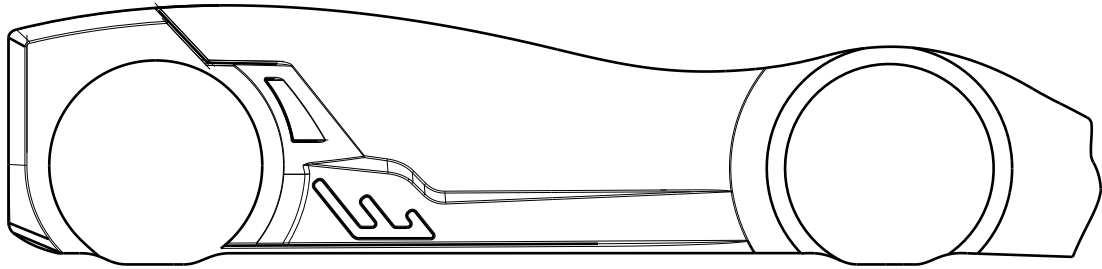
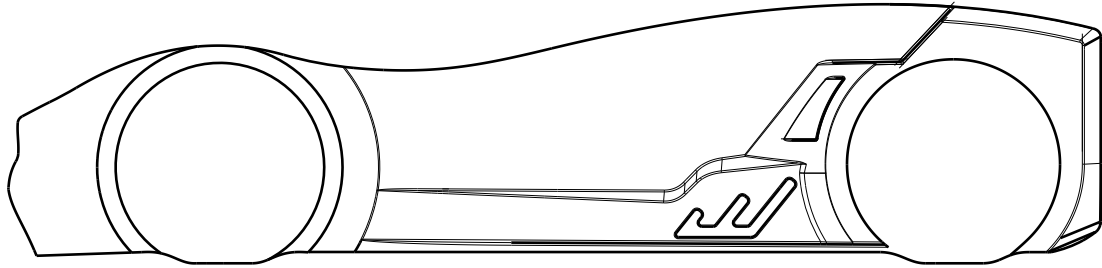
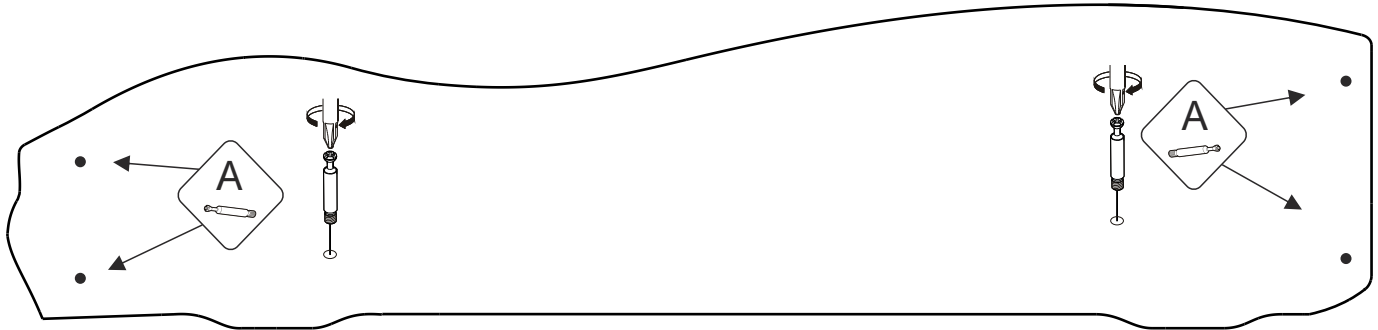




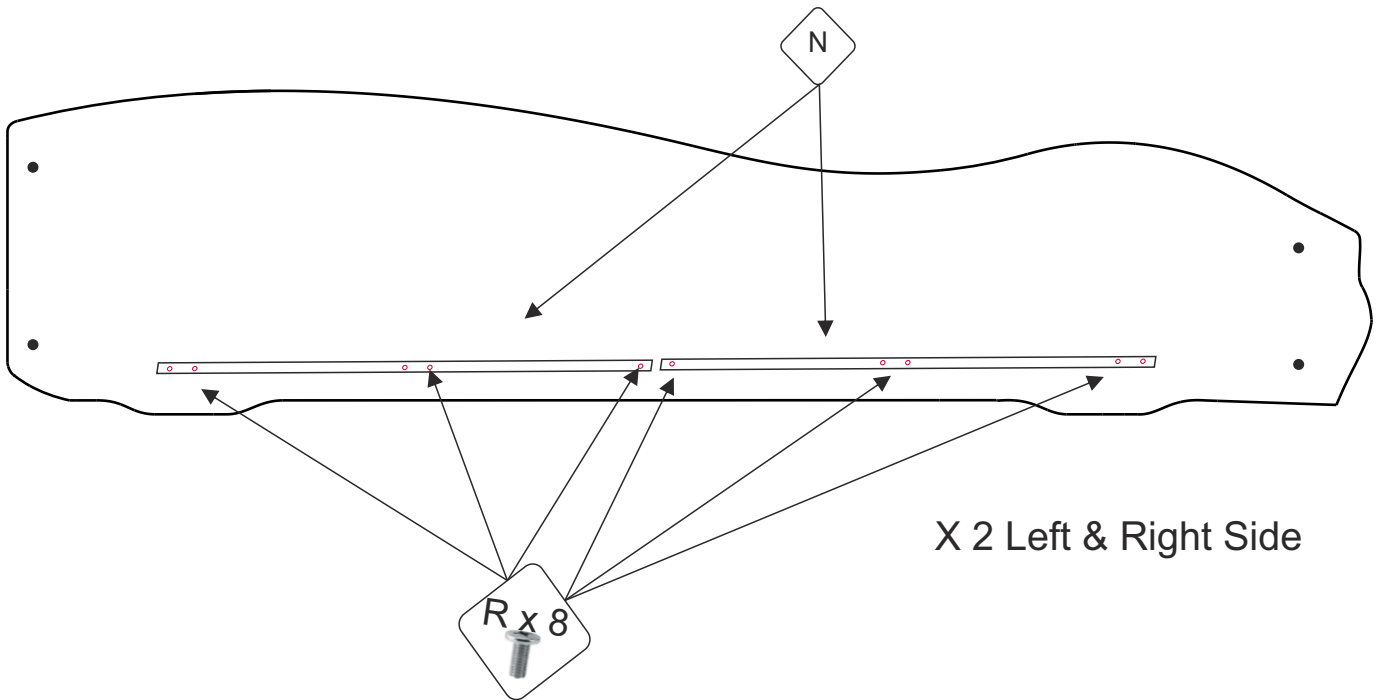
**SUPER RACING
& POLICE**

A U T O B E T T



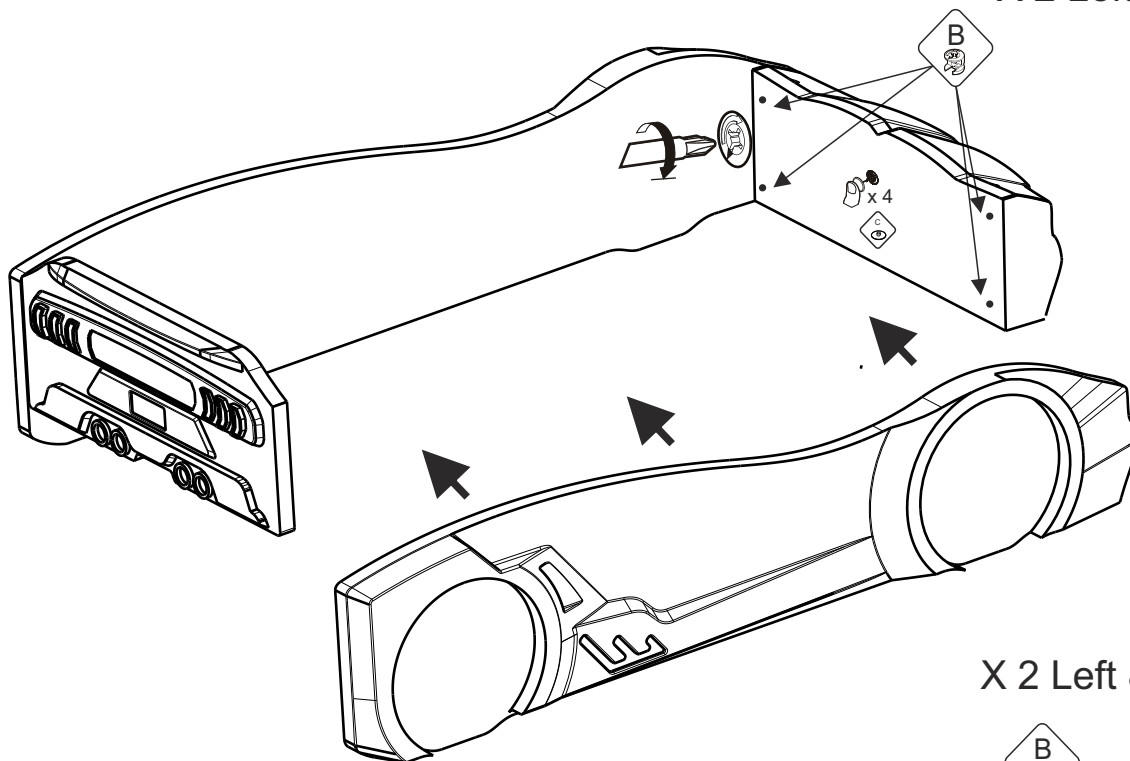


X 2 Left & Right Side

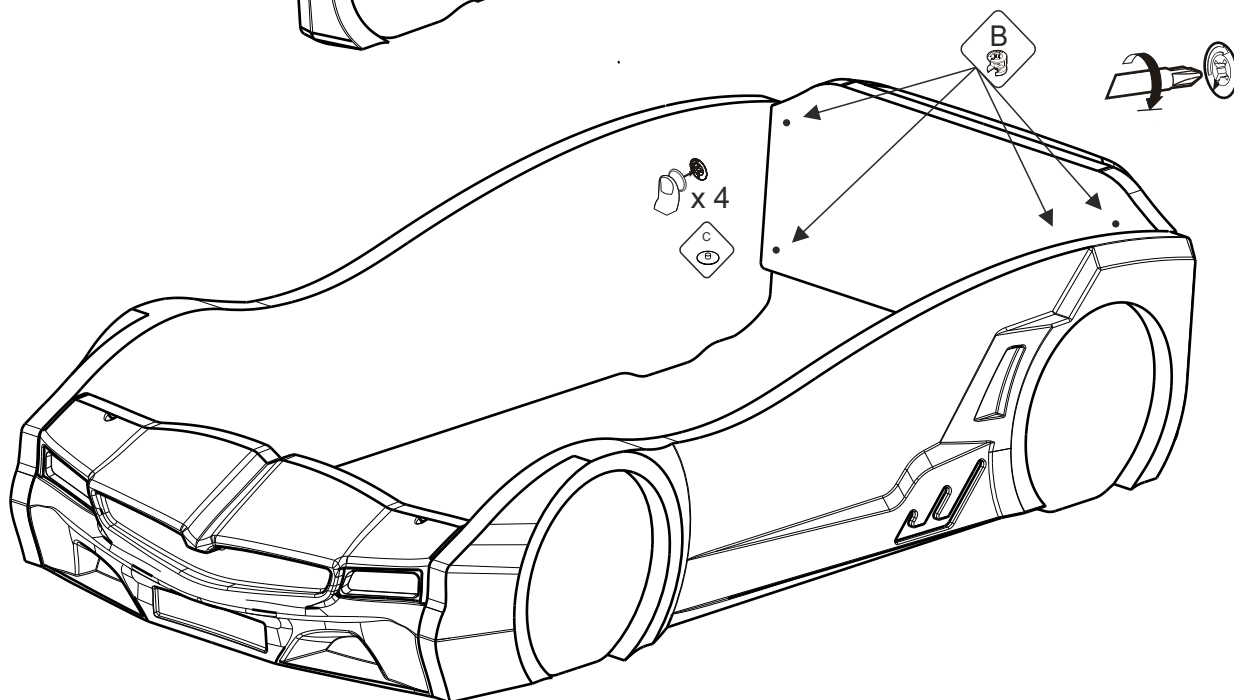


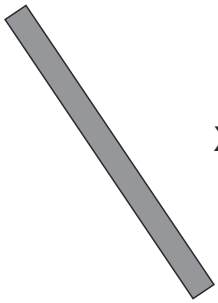
X 2 Left & Right Side

X 2 Left & Right Side



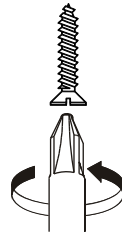
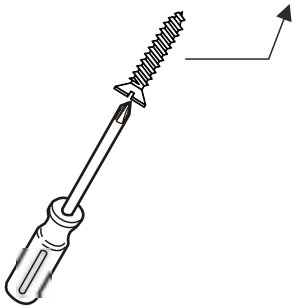
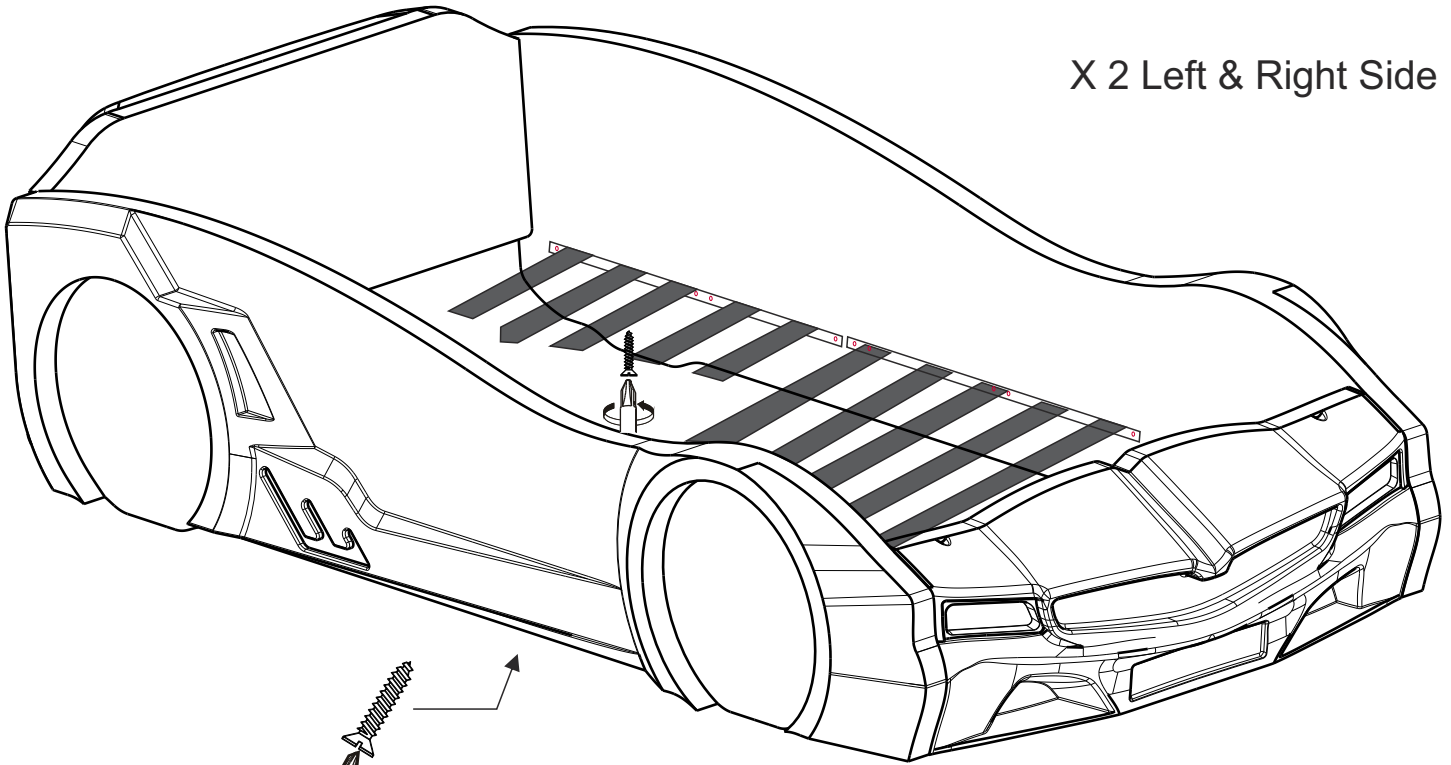
X 2 Left & Right Side





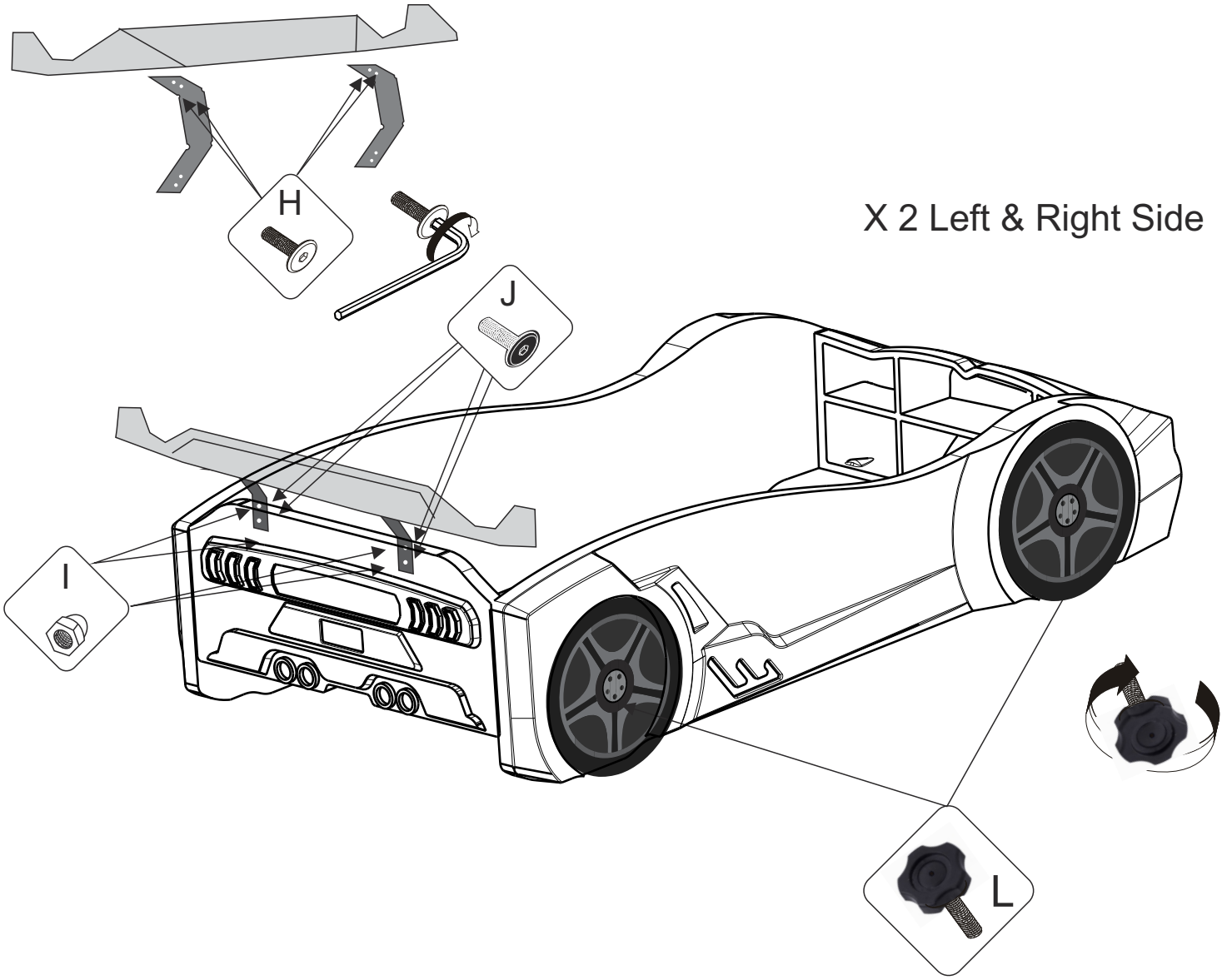
x 10

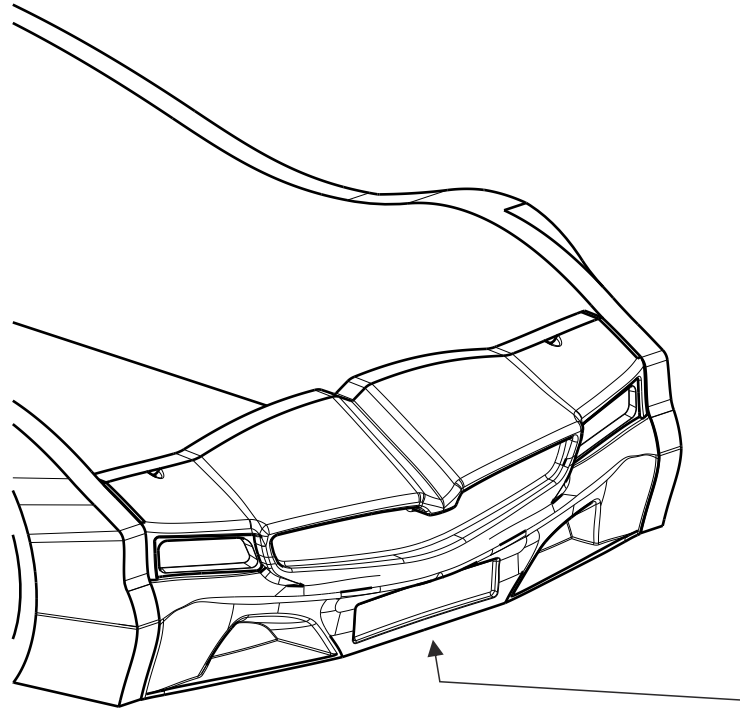
X 2 Left & Right Side



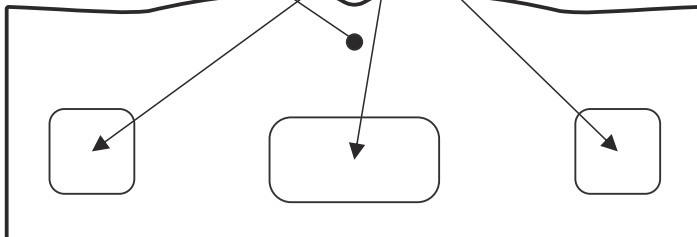
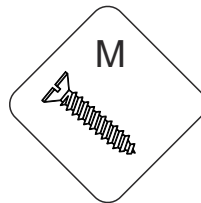
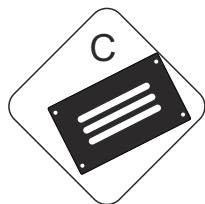
M X 20

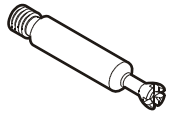
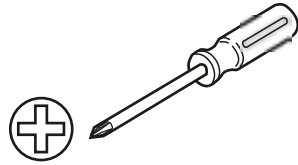
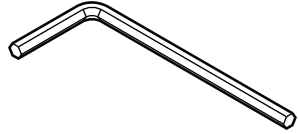
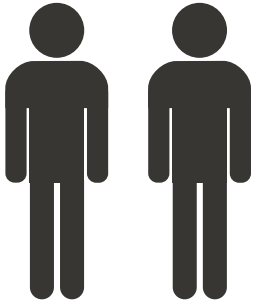
X 2 Left & Right Side





On-Off





A x 8



B x 8



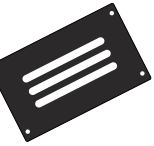
C x 6



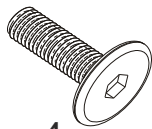
D x 2



M X 20



G x 3



H x 4



I x 4



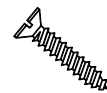
J x 4



K x 2



L x 4



M X 12



N x 4



P x 16