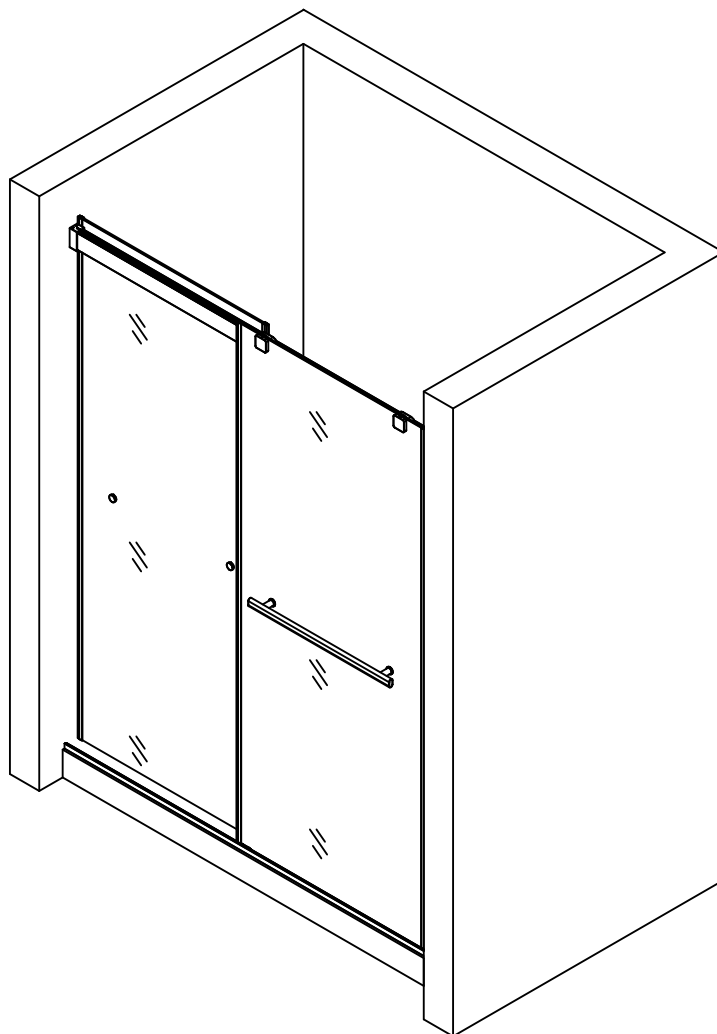


Shower Door Installation Guide

DS15



Plz do not just return when meeting difficulties in installation, just contact your seller for help.

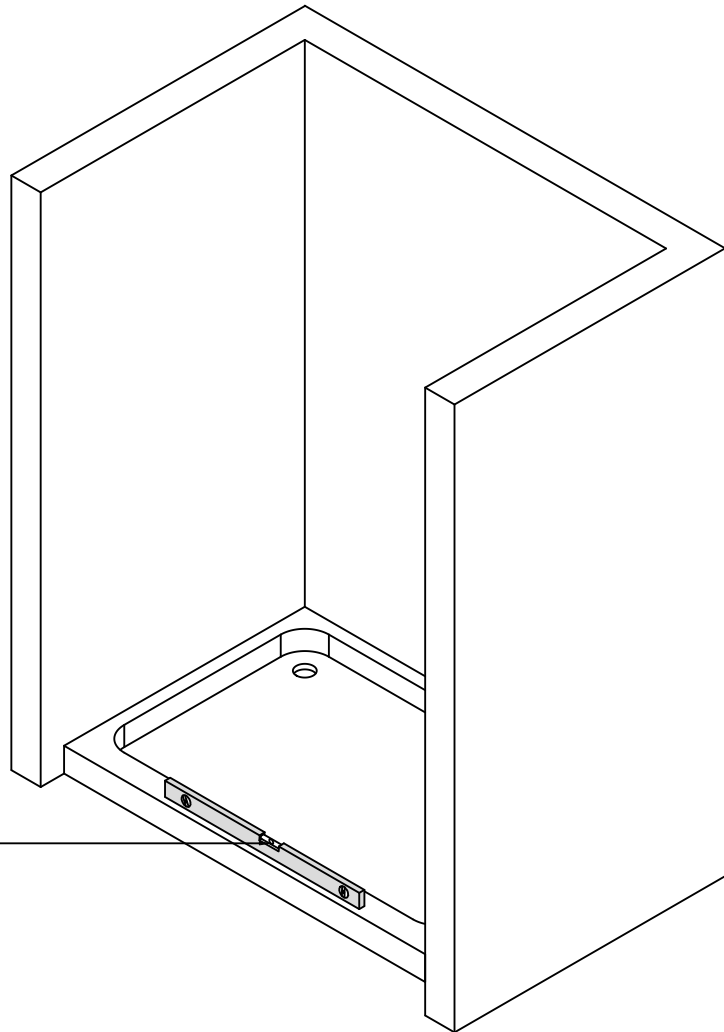
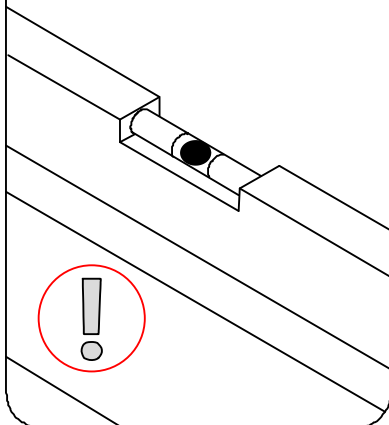
Model Specific Preparation



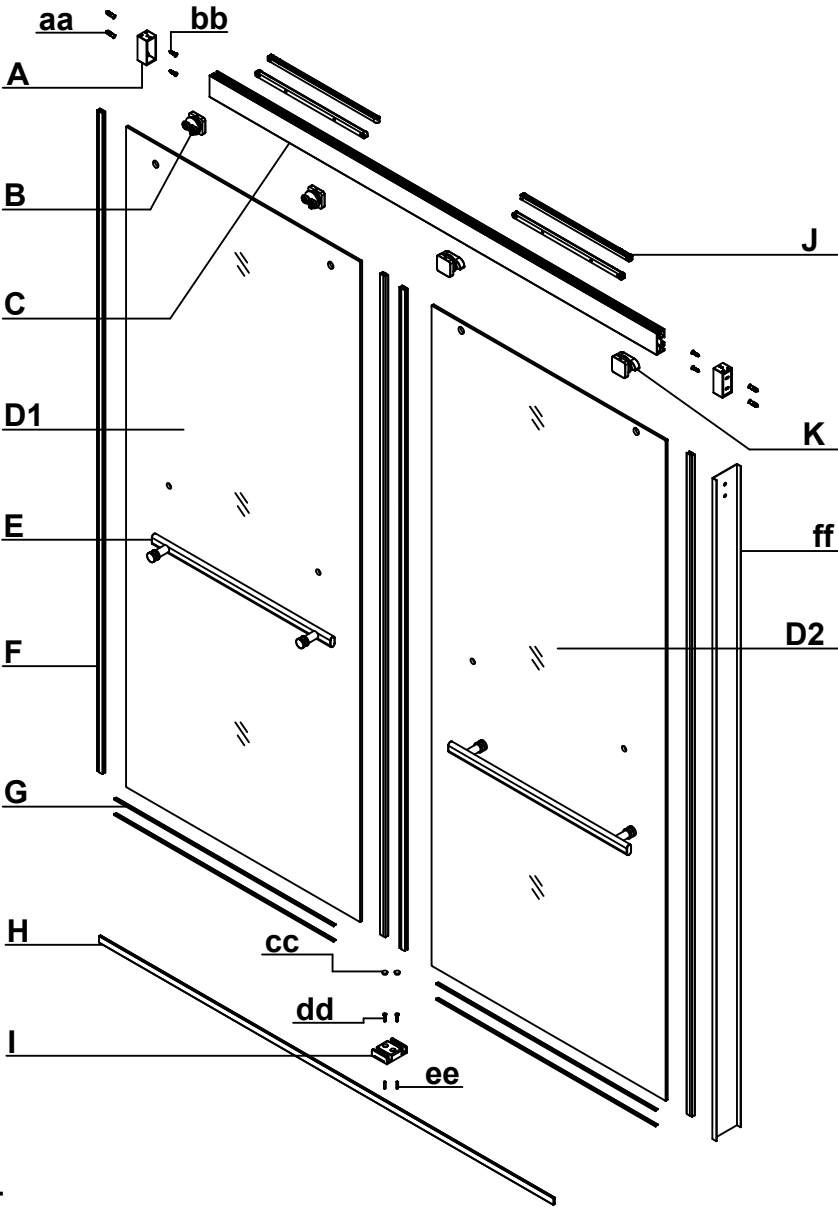
REQUIRED:

Inspect the shower threshold for level with a level or straightedge. Adjust the threshold as necessary until achieving perfectly horizontal.

The threshold must be perfectly horizontal.



PACKAGE CONTENT

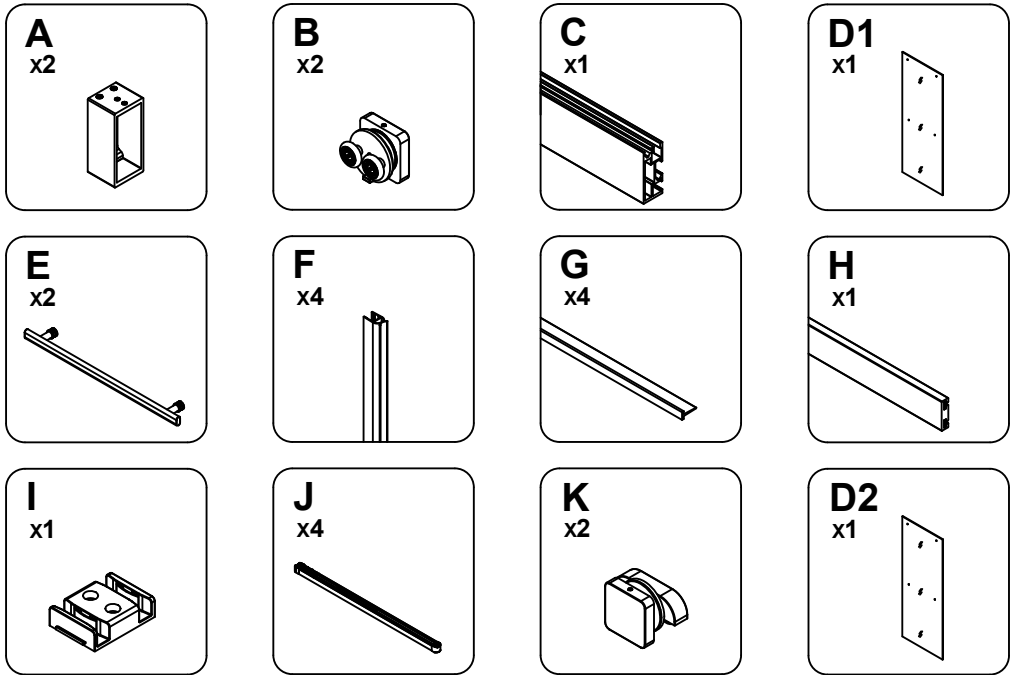


PARTS LIST

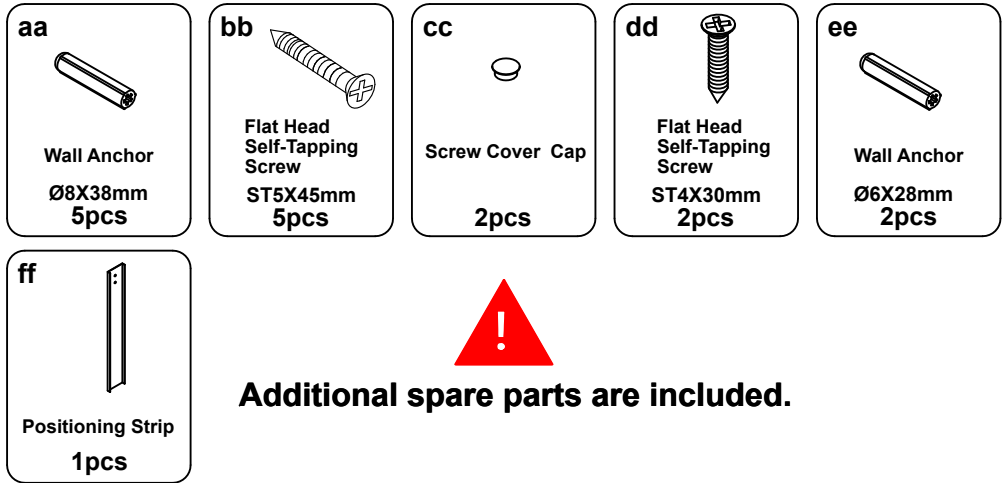
PART#	DESCRIPTION	QTY	PART#	DESCRIPTION	QTY
A	Guide Rail Bracket	2	G	Water Dam Seal	4
B	Inner Roller Assembly	2	H	Threshold Water Dam	1
C	Top Rail	1	I	Bottom Guide Block	1
D1	Inner Glass Panel	1	J	Soft-Close Bumper	4
E	Handle	2	K	Outer Roller Assembly	2
F	Side Seal Strip	4	D2	Outer Glass Panel	1

NOTE Please inspect all parts for any missing items before installation!
If any part is missing, please contact us.

PACKAGE CONTENT



HARDWARE CONTENT



NOTE Inspect all parts for any missing items prior to installation!
Contact us if any parts are missing.


TOOLS REQUIRED

Drill Bits




Ø1/4" & Ø5/16" (6 & 8mm) dia.
HSS

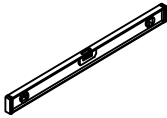
Screw Driver



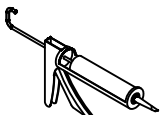
Drill



Level



Silicone



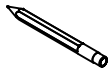
Measuring Tape



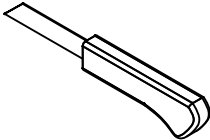
Soft Head Hammer



Pencil



Knife



Masonry Drill Bit For Tile
Ø6mm



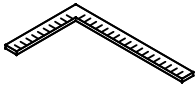
Safety Glasses



Gloves



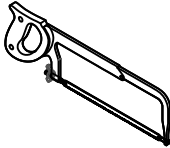
Carpenter's Squarer



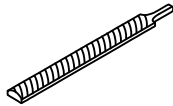
Masking or Painter's Tape



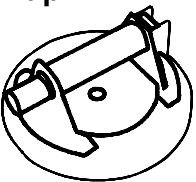
Hack Saw



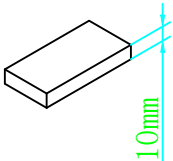
Metal File



Glass suction Cup



wooden pad



10mm

SAFETY INFORMATION

CAUTION

Please carefully read the following important safety information before handling or installing this shower. There is a risk of serious injury while handling this product.

To minimize these risks, please note:

- Always wear safety glasses and gloves while handling.
- Always follow the installation instructions.
- Inspect the glass for damage before installation.
- Extreme caution should be taken while handling the glass during installation, as the tempered glass may shatter if it comes into contact with a hard surface.
- Do not cut or modify the tempered glass, as it will shatter if cut.
- Carefully remove the product from its packaging and keep the packaging until the installation is complete.
- Inspect all parts for damage or missing items. If there is any damage or missing parts prior to installation, please contact your seller for help.
- Cover the drain with tape to prevent the loss of small parts.
- The shower base and finished walls should be installed before beginning the shower door installation.
- During installation, protect the shower floor with a drop cloth to prevent damage.
- This product should be installed by two people who are familiar with construction requirements. Professional installation is recommended!
- Keep this installation manual for future reference.

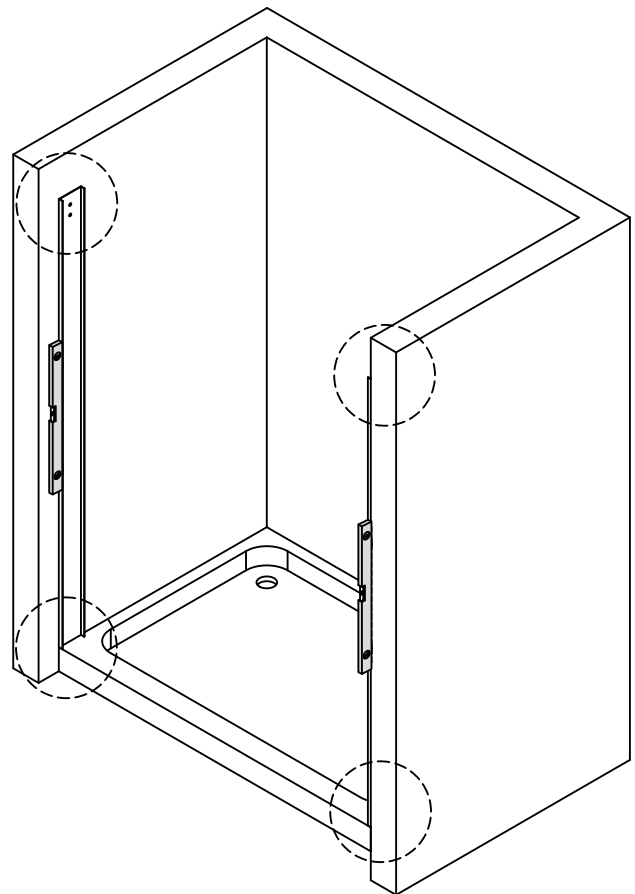
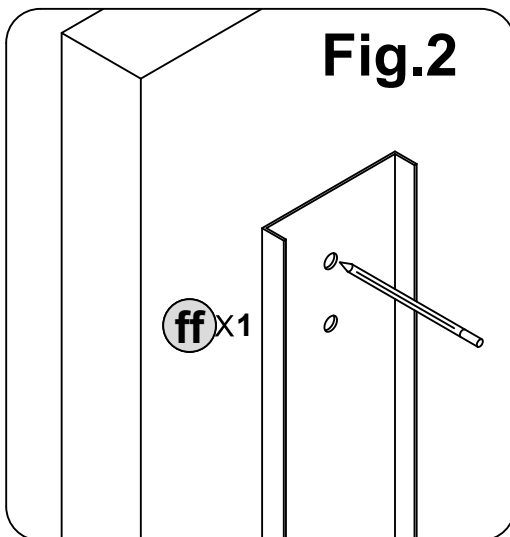
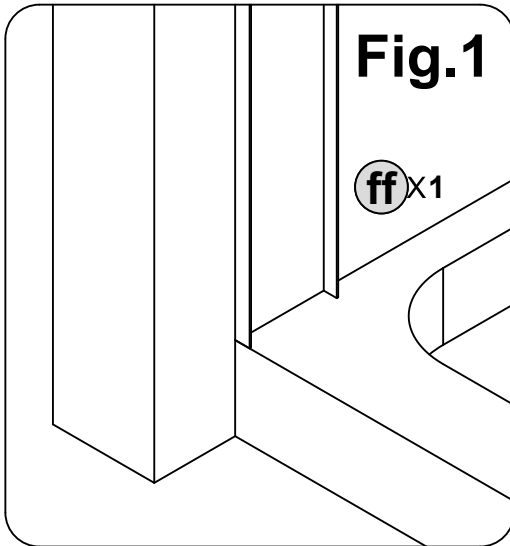
NOTE: Two people should perform this installation.



1 Install **Guide Rail Brackets (A)**

NOTE

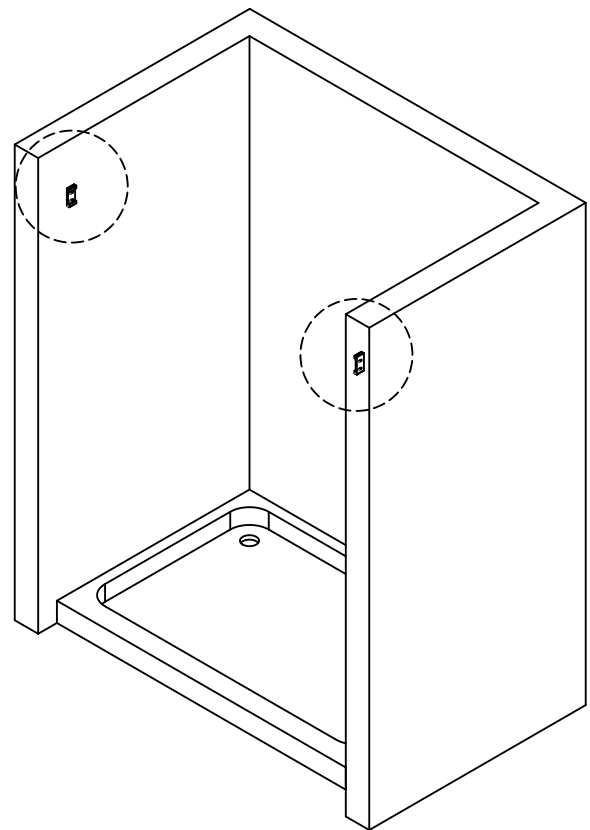
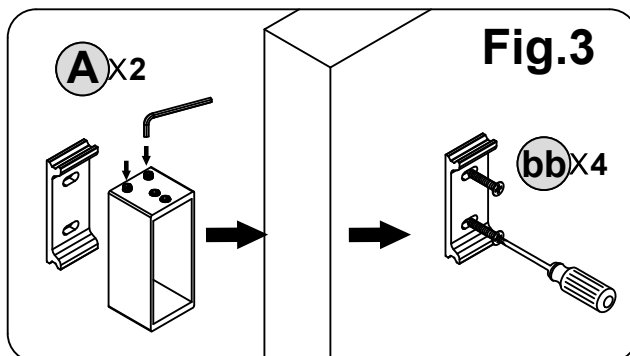
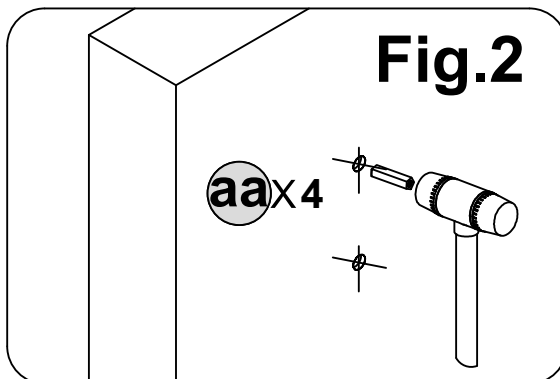
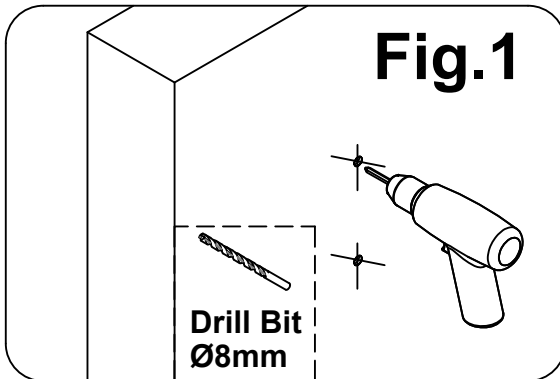
1. Place the **positioning strip (ff)** flush with the edge. Using a level, ensure the strip is perfectly vertical.
2. Mark drill points through the Strip holes using a pencil.



2 Install **Guide Rail Brackets (A)**

NOTE

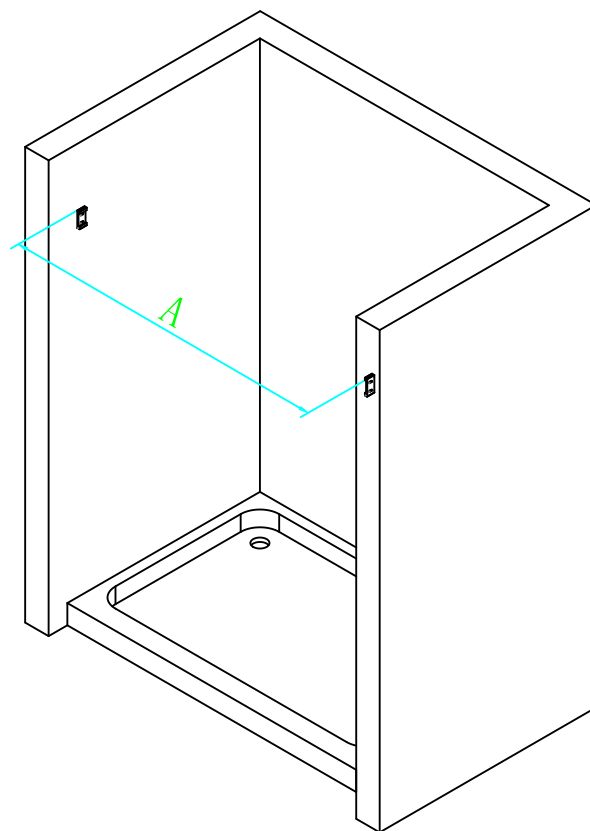
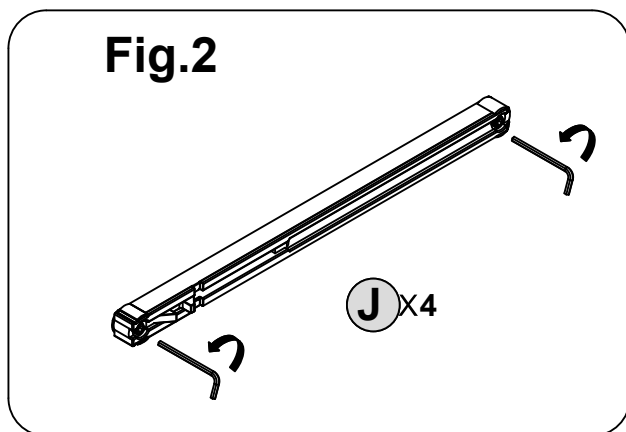
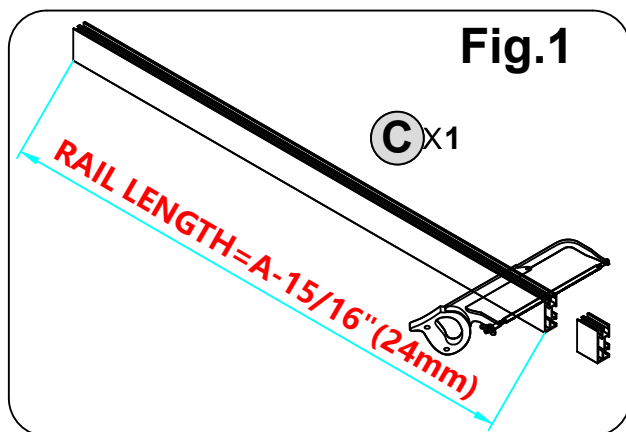
1. Drill $\varnothing 8\text{mm}$ holes at marked points.
2. Insert **wall anchors (aa)** using a soft-head hammer.
3. Secure left/right **Guide Rail Brackets (A)** to the wall using **ST5x45mm flat-head self-tapping screws (bb)**.



3 Prepare **Top Rail (C)**

NOTE

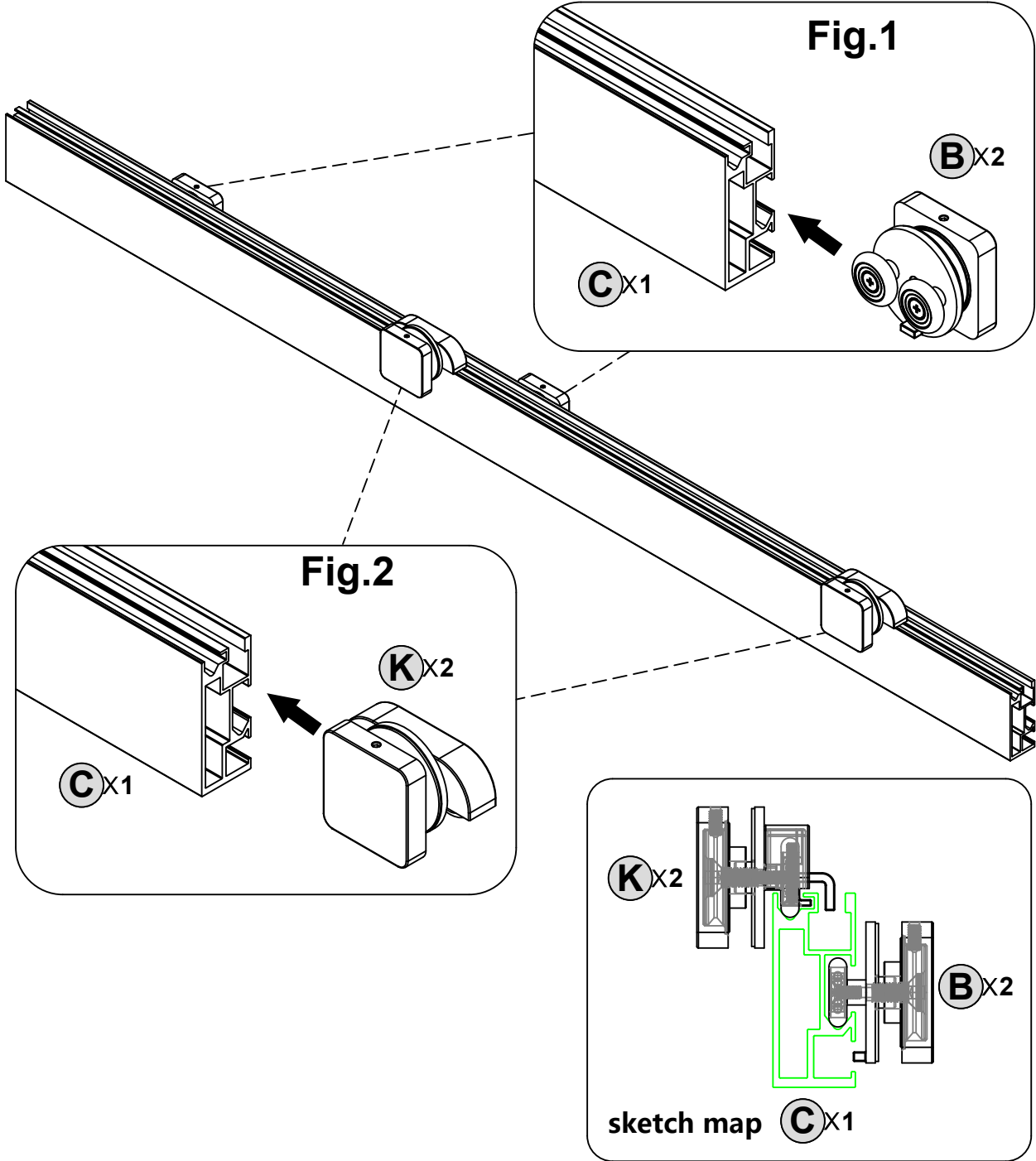
1. Re-measure the installation width and cut the **Top Rail (C)** to required length.
2. Loosen set screws on **Soft-close bumpers (J)** using a hex key.



4 Install **Inner Rollers (B)** & **Outer Rollers (K)**

NOTE

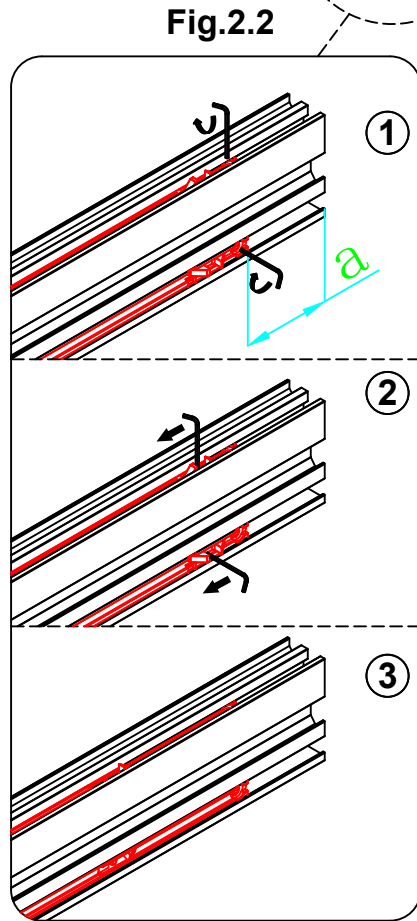
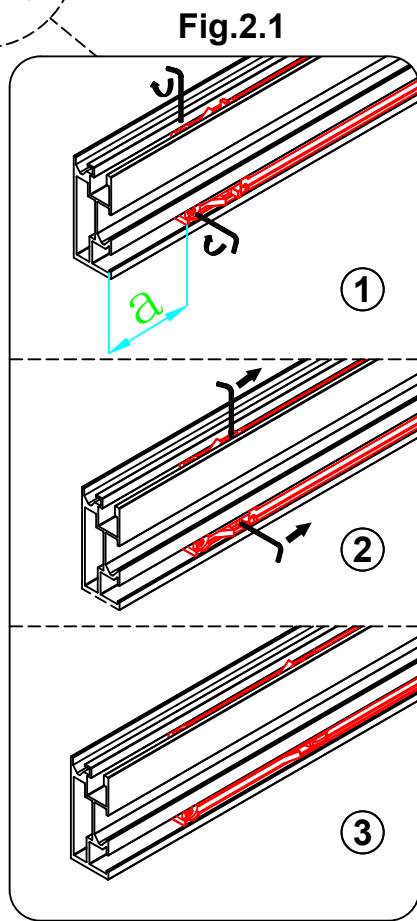
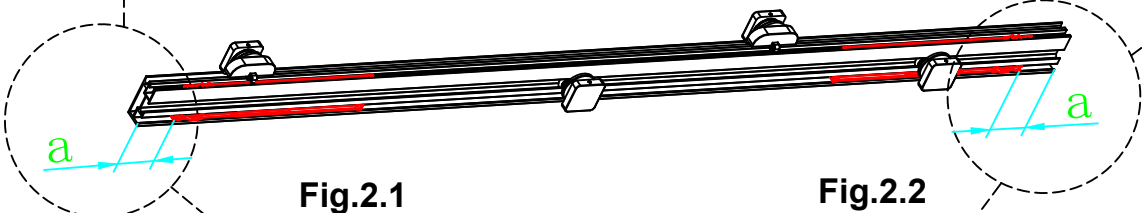
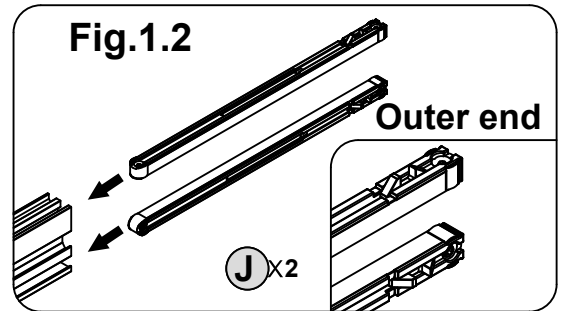
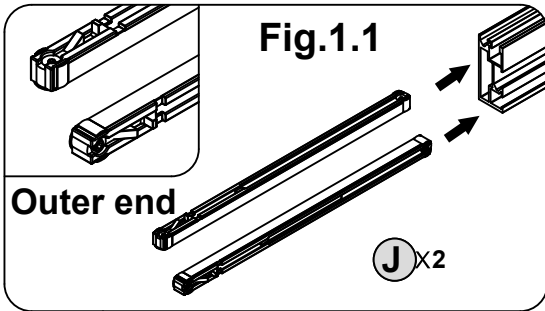
- 1. Insert **Inner Roller assemblies (B)** into the inner channel of the **Top Rail (C)**.
- 2. Insert **Outer Roller assemblies (K)** into the outer channel of the **Top Rail (C)**.



5 Install **Soft-Close Bumpers (J)**

NOTE

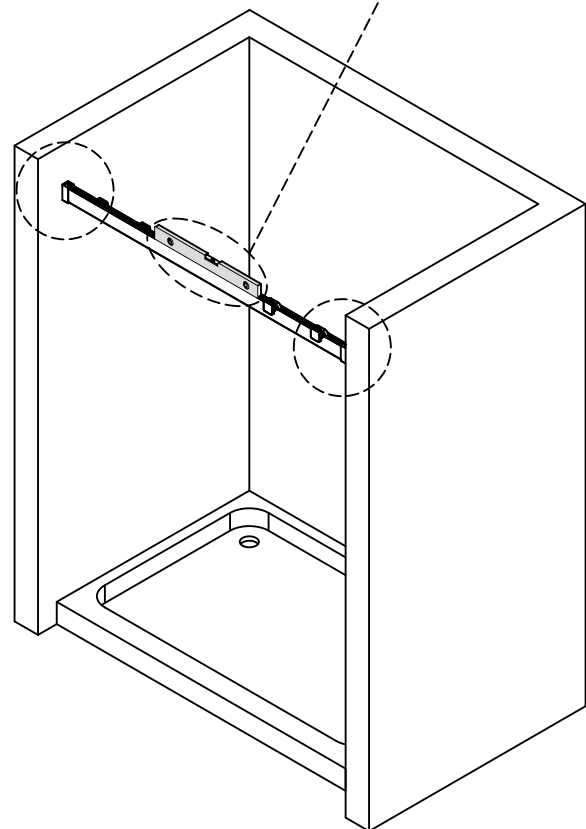
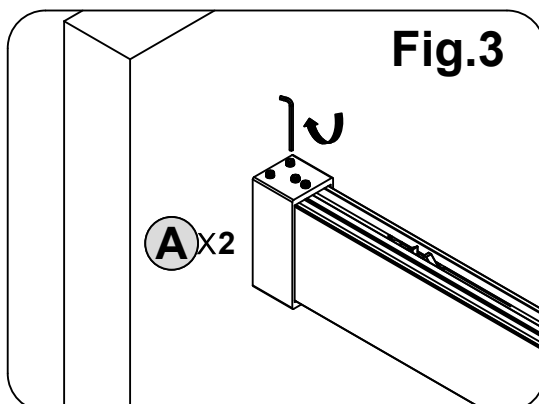
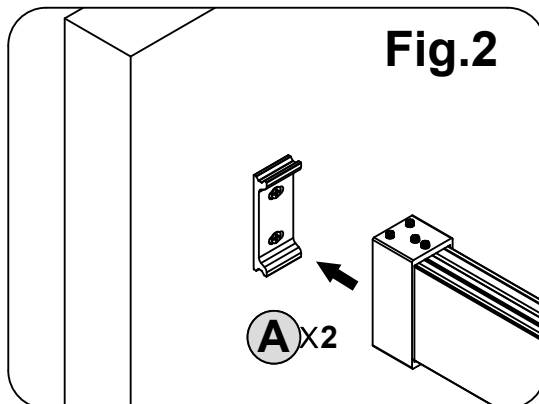
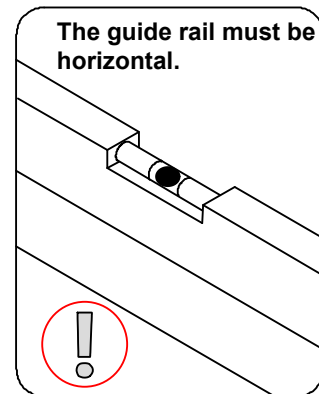
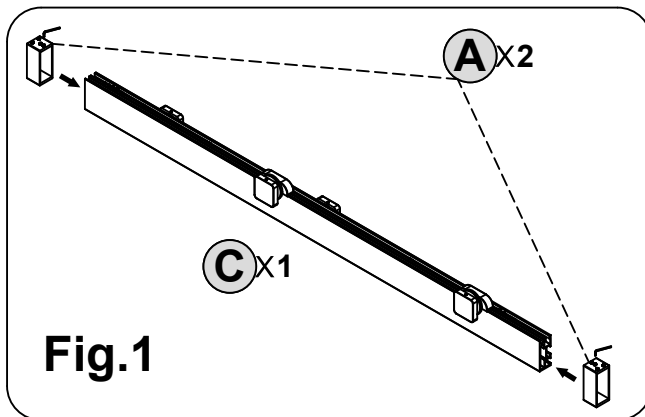
1. Insert **Soft-close Bumpers (J)** into both ends of the upper and lower track channels, pay attention to correct orientation.
2. Position **Soft-close Bumpers (J)** 67mm from each end of the track. Tighten set screws with a hex key. Activate the release mechanism as shown in Fig 2.



6 Install **Top Rail (C)**

NOTE

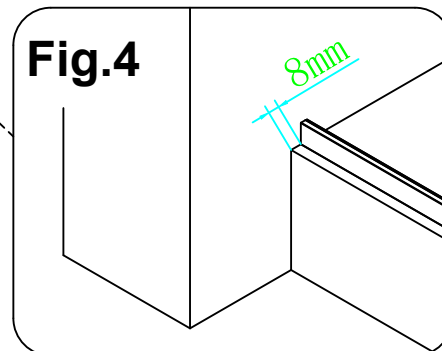
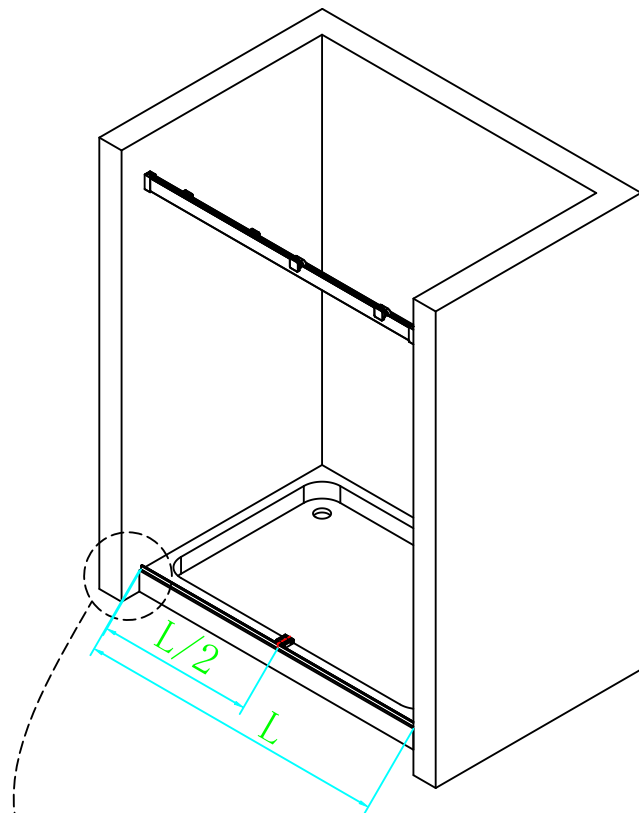
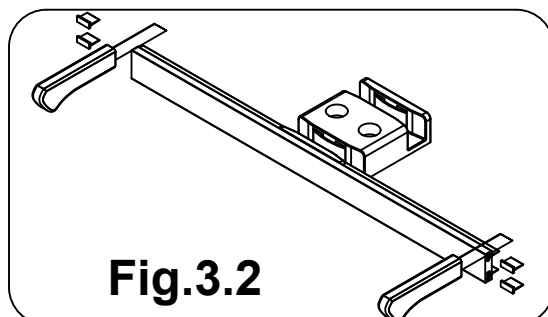
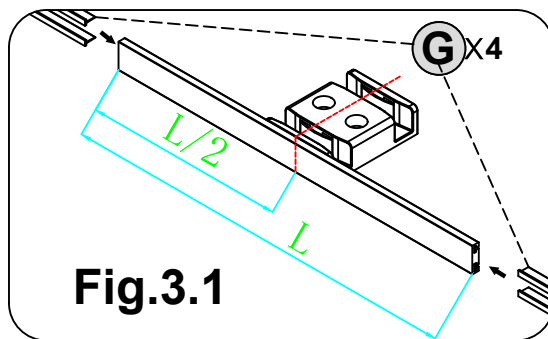
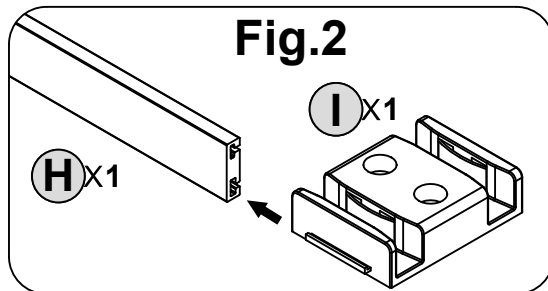
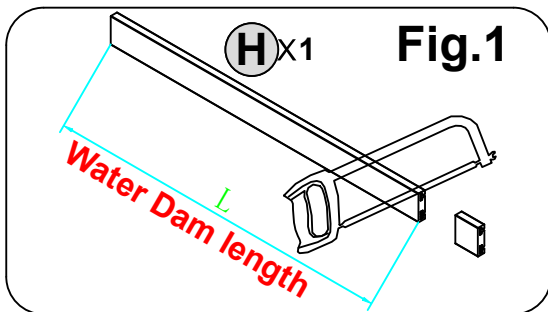
1. Loosen set screws on **Guide Rail Brackets (A)**. Slide brackets onto both ends of the **Top track (C)**.
2. Mount the track assembly onto the wall-mounted bracket bases.
3. Securely tighten all set screws on **Guide Rail Brackets (A)** and **Top track (C)** using a hex key.



7 Install **Threshold Water Dam (H)**

NOTE

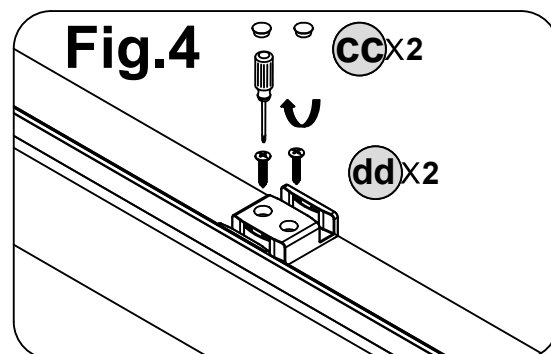
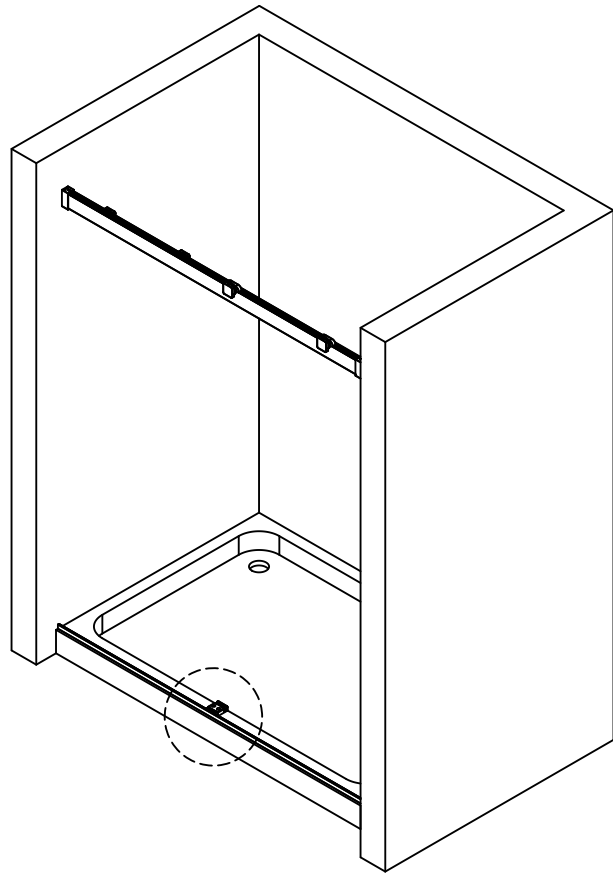
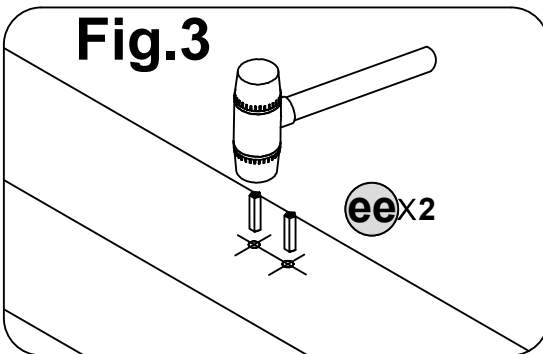
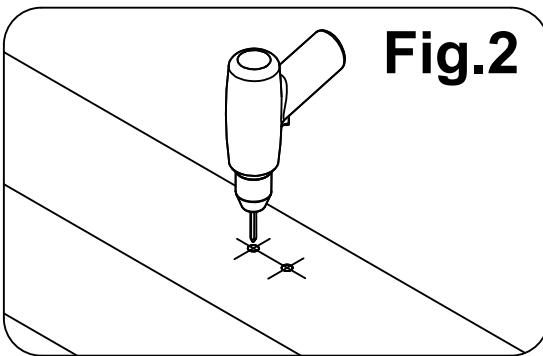
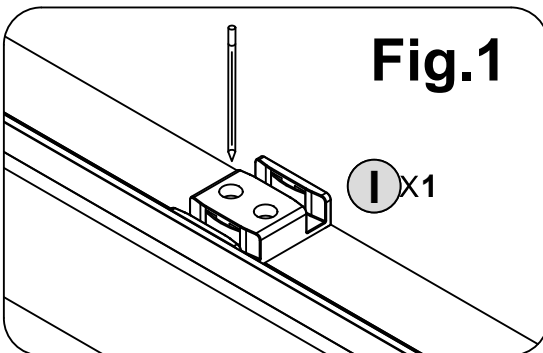
- 1.Re-measure and cut the **Threshold Water Dam (H)** to required length.
- 2.Install **Bottom Guide Block (I)** onto **Threshold Water Dam (H)**.
- 3.Position **Guide Block (I)** at the center ($L/2$) of **Threshold Water Dam (H)**. Install **Water Dam Seals (G)** along the water dam and trim excess.
- 4.Position water barrier 8mm from the edge during installation.



8 Install **Bottom Guide Block (I)**

NOTE

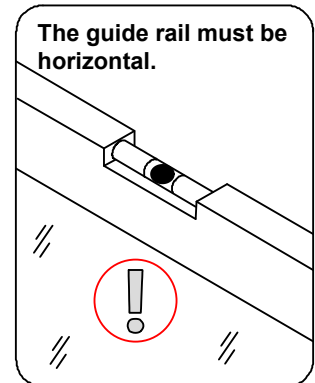
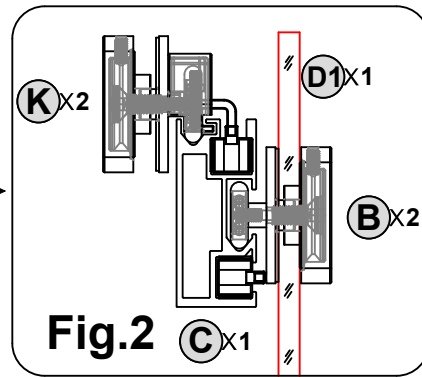
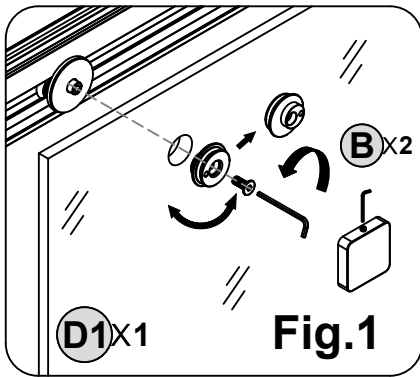
1. Mark drill points through **Guide Block (I)** holes,
2. Drill **Ø6mm** holes at marked points.
3. Insert **wall anchors (ee)** using a soft-head hammer.
4. Secure **Guide Block (I)** to the floor using **ST4x30mm flat-head screws (dd)**. Install **screw cover caps (cc)**.



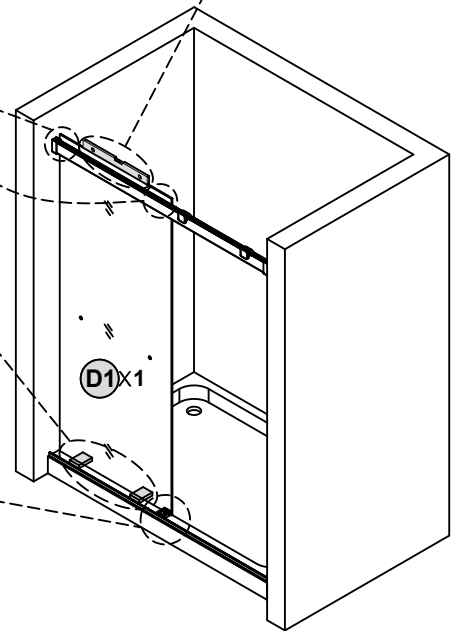
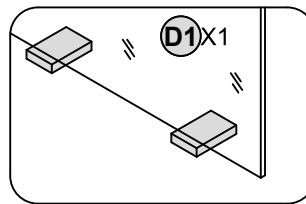
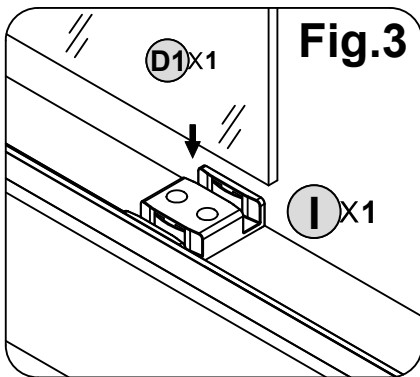
9 Install **Inner Glass Panel (D1)**

NOTE

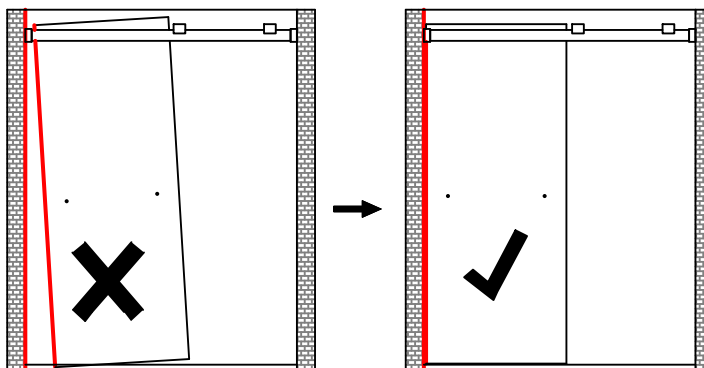
1. Place wooden blocks under **Inner Panel (D1)**. Align panel holes with **Inner Rollers (B)**. Press eccentric collars into panel holes.
2. Adjust roller height via eccentric collars until panel slides smoothly and parallel to wall for proper seal when closed. Tighten collars with hex key and secure covers.



3. Engage bottom of panel into **Guide Block (I)** channel.



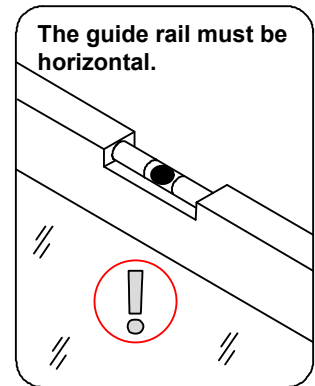
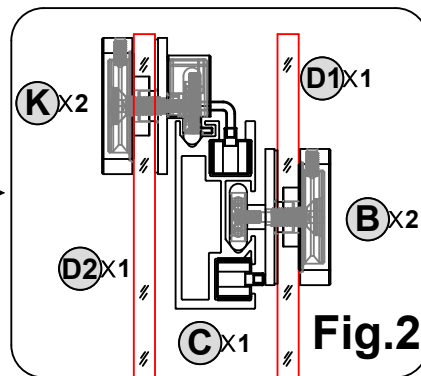
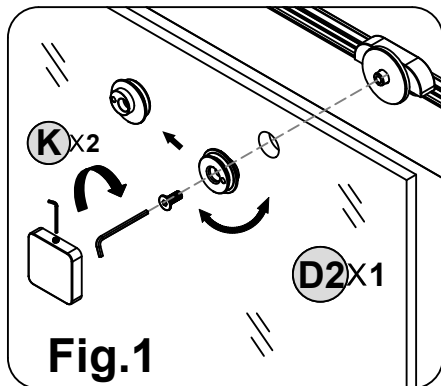
NOTE



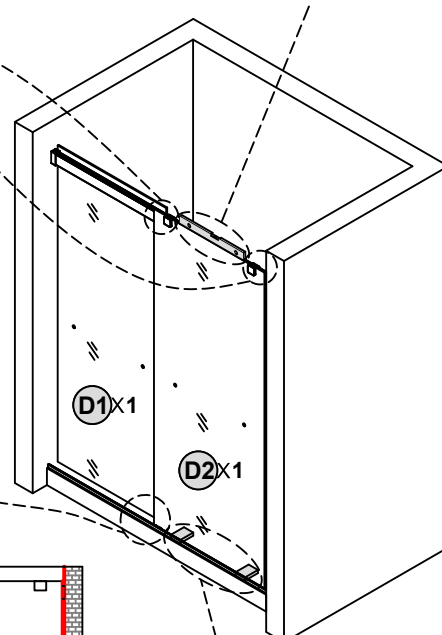
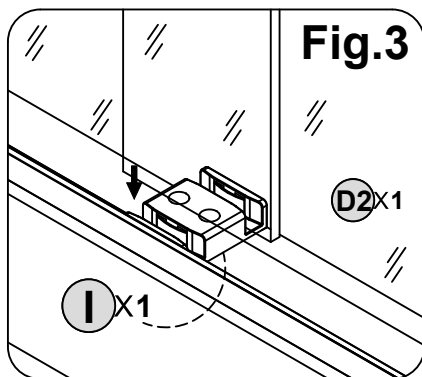
10 Install **Outer Glass Panel (D2)**

NOTE

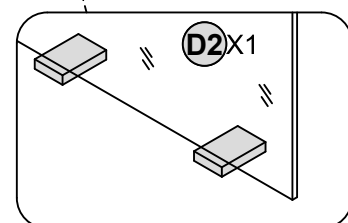
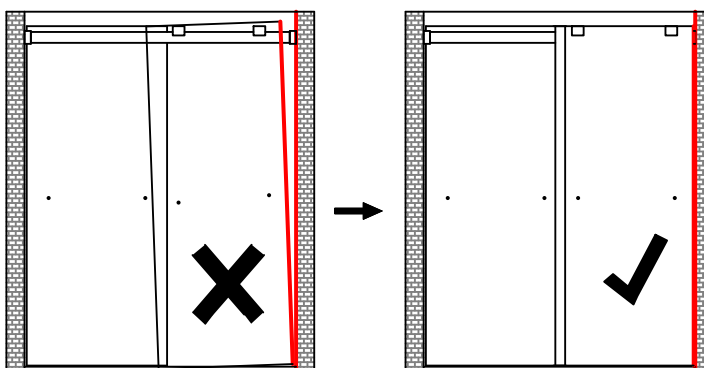
1. Place wooden blocks under **Outer Panel (D2)**. Align holes with **Outer Rollers (K)**. Press eccentric collars into panel holes.
2. Adjust roller height via eccentric collars until panel slides smoothly and parallel to wall for proper seal. Tighten collars and secure covers.



3. Engage bottom of panel into **Guide Block (I)** channel.



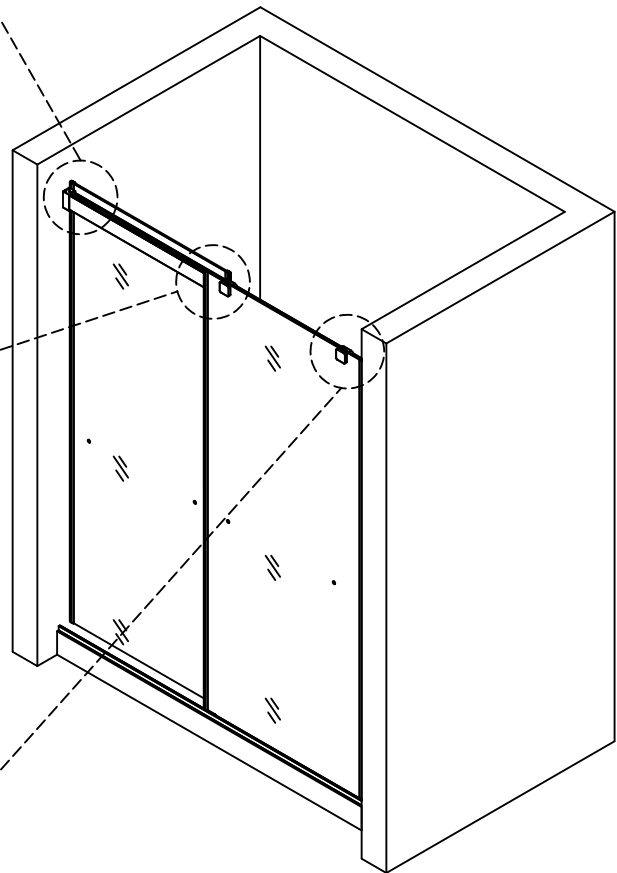
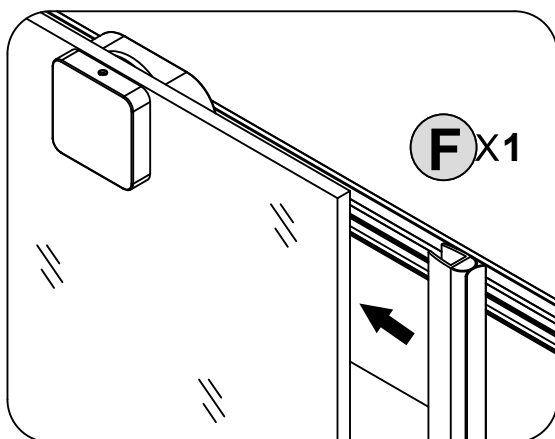
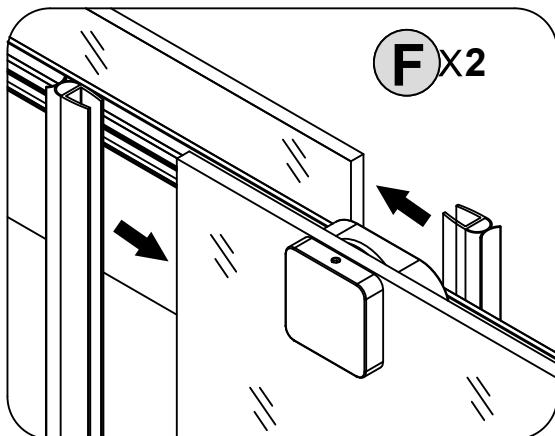
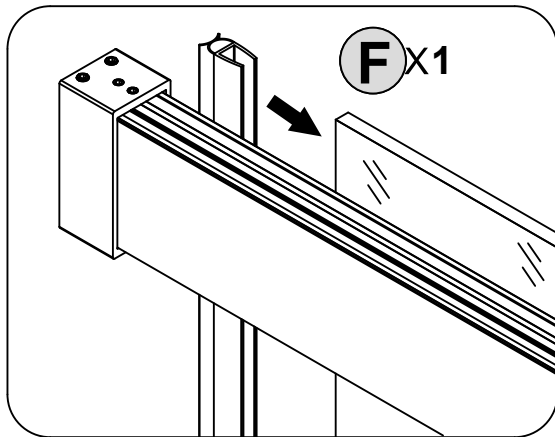
NOTE



11 Install **Side Seal Strips (F)**

NOTE

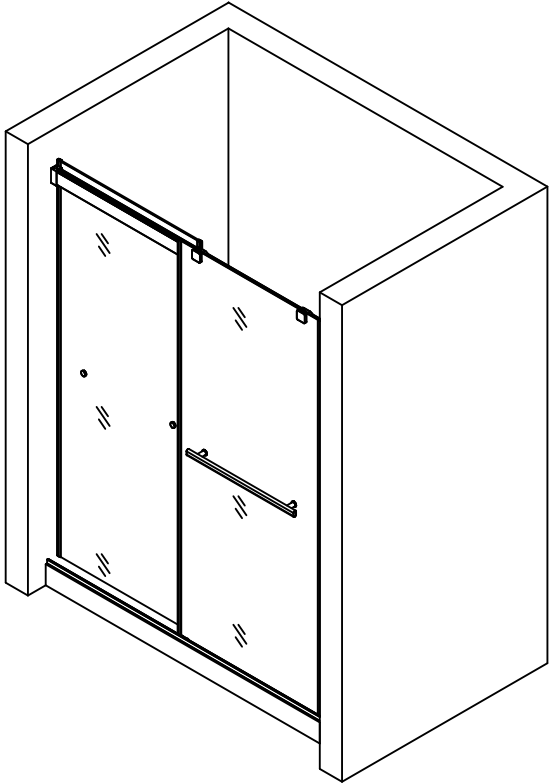
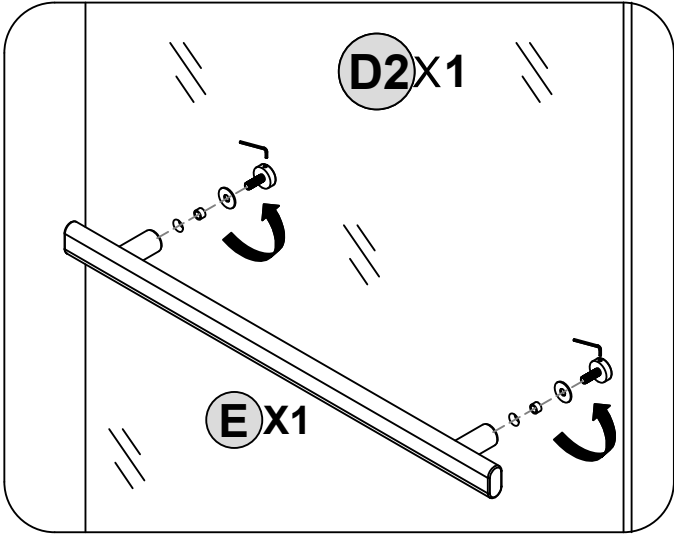
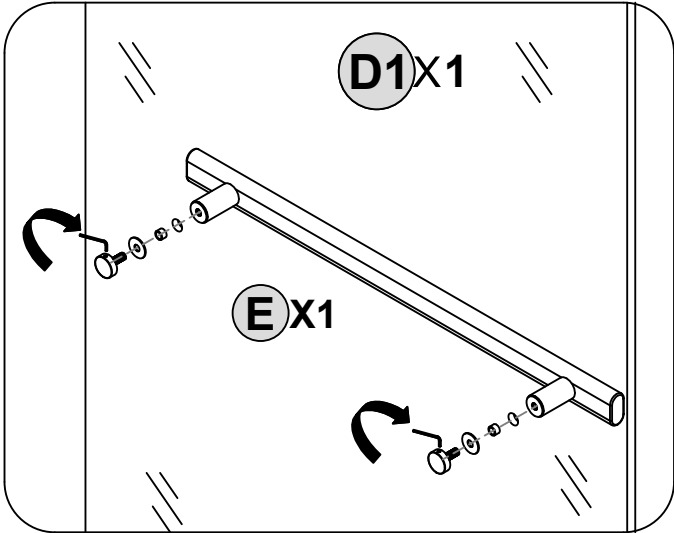
Install **Side Seal Strips (F)** along the vertical edges of both **inner (D1)** and **outer (D2)** glass panels.



12 Install **Handles (E)**

NOTE

Mount **Handles (E)** on both **glass panels (D1 & D2)**. Ensure all provided plastic washers are used between hardware and glass.



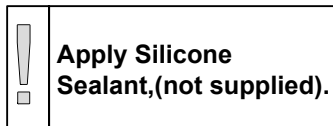
13 SEALING

NOTE The surfaces need to be clean and free of debris before applying silicone.

NOTE Make sure the shower door is tightly closed and opens smoothly. Apply high-quality asbestos sealant along the bottom of the fixed glass and the bottom of the lower water barrier.



Allow 24 hours for the silicone to cure before using the shower.



Apply silicone around the fixed glass and the lower water barrier.

