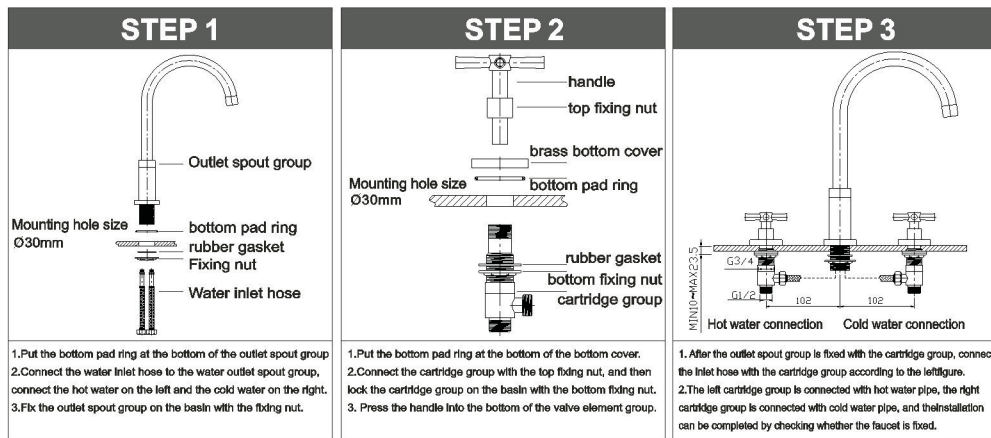


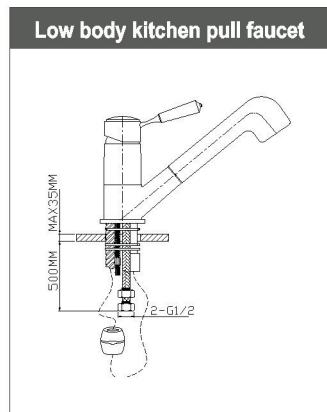
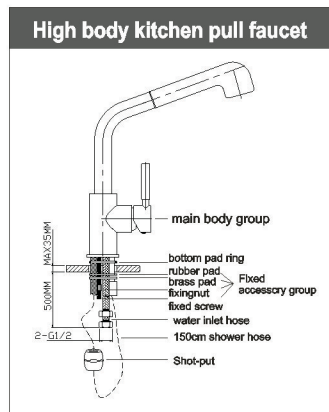
## Installation instructions of Concealed split basin faucet

### Installation diagram



## Installation instructions for Pull Tap

### Installation diagram:



### Installation procedure:

- Make sure the basin has a through hole of Ø35mm
- First, put the bottom pad ring into the bottom of the faucet, and then fix the faucet and the basin with the fixed accessory group.
- Connect the 150cm shower hose with the shower head at one end of the connector and the outlet connector at the bottom of the faucet, and then fix the shot-put on the shower hose. The position of the shot-put fixed on the hose affects the distance of the shower head.
- Facing the faucet, connect the left water inlet hose with hot water and the right water inlet hose with cold water.

## Single handle single hole basin faucet

