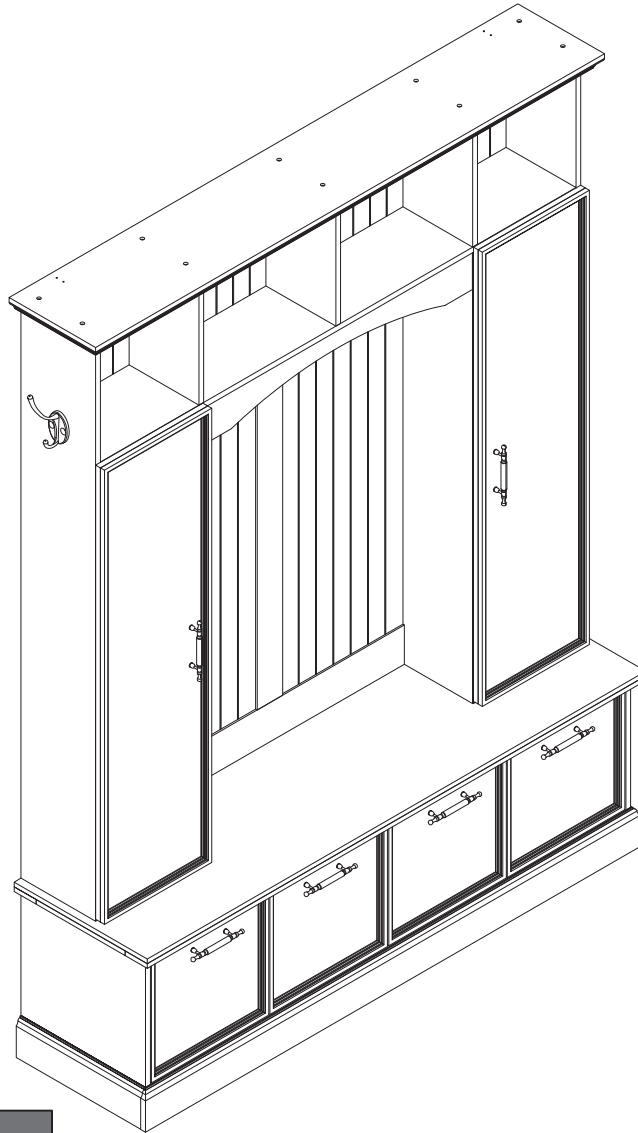


HALL TREE

Assembly Instructions-Please keep for future reference



Dimensions

Width-15.55inch
Depth-57.87inch
Height-76.77inch



WARNING



This product is NOT a Clothing Storage Unit (CSU).
DO NOT use it for clothing storage.
Improper use may cause furniture tipover.

Important - Please read these instructions fully before starting assembly



Safety and Care Advice

Important – Please read these instructions fully before starting assembly

- Check you have all the components and tools listed on the following pages.
- Remove all fittings from the plastic bags and separate them into their groups.
- Keep children and animals away from the work area, small parts could choke if swallowed.
- Make sure you have enough space to layout the parts before starting.

- During assembly do not stand or put weight on the product, this could cause damage.
- Assemble the item as close to its final position (in the same room) as possible.
- Assemble on a soft level surface to avoid damaging the unit or your floor.
- Parts of the assembly will be easier with 2 people.



- To reduce the likelihood of damaging your product please ensure that your power drill is set on a low torque setting.

Care and maintenance

- Only clean using a damp cloth and mild detergent, do not use bleach or abrasive cleaners.
- From time to time check that there are no loose screws on this unit.
- This product should not be discarded with household waste. Take to your local authority waste disposal centre.

Handy Hints

- Assemble all parts and bolts loosely during assembly, only once the product is complete should you fully tighten the bolts
- Regularly check and ensure that all bolts and fittings are tightened properly.

WARNING
In order to help prevent overturning – follow these instructions

To help prevent product toppling over please follow the below steps:-

- Use the anti tip stap or wall fixing method provided (if applicable)
- Do not allow children to climb or hang on the furniture
- Do not open more than one drawer at a time
- Do not place heavy items in the top drawers
- Do not place heavy items on top of the furniture, unless the furniture has been designed for this purpose

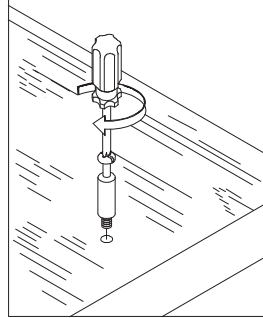
Using Camlocks

Step 1

Connect the male camlock as directed in the assembly instructions using a screwdriver.

1

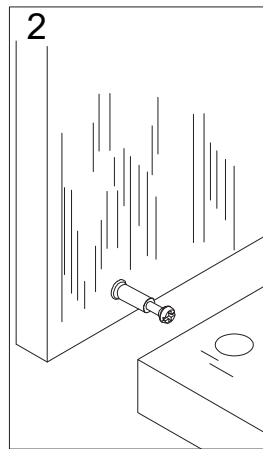
DO NOT OVER TIGHTEN.
NE PAS SERRER EXCESSIVEMENT.



Step 2

Push the male camlock into the entry hole.

2

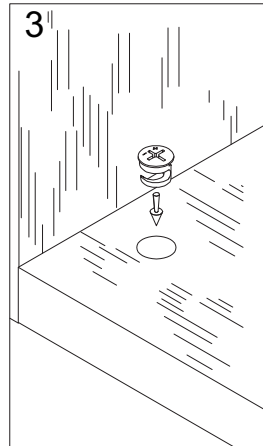


Step 3

Insert the female camlock as shown in the instruction.

Note: ensure that the arrow on the top of the camlock points towards the entry hole for the male camlock

3



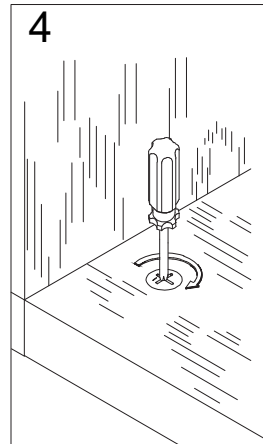
Step 4

Turn the female camlock clockwise with a screwdriver

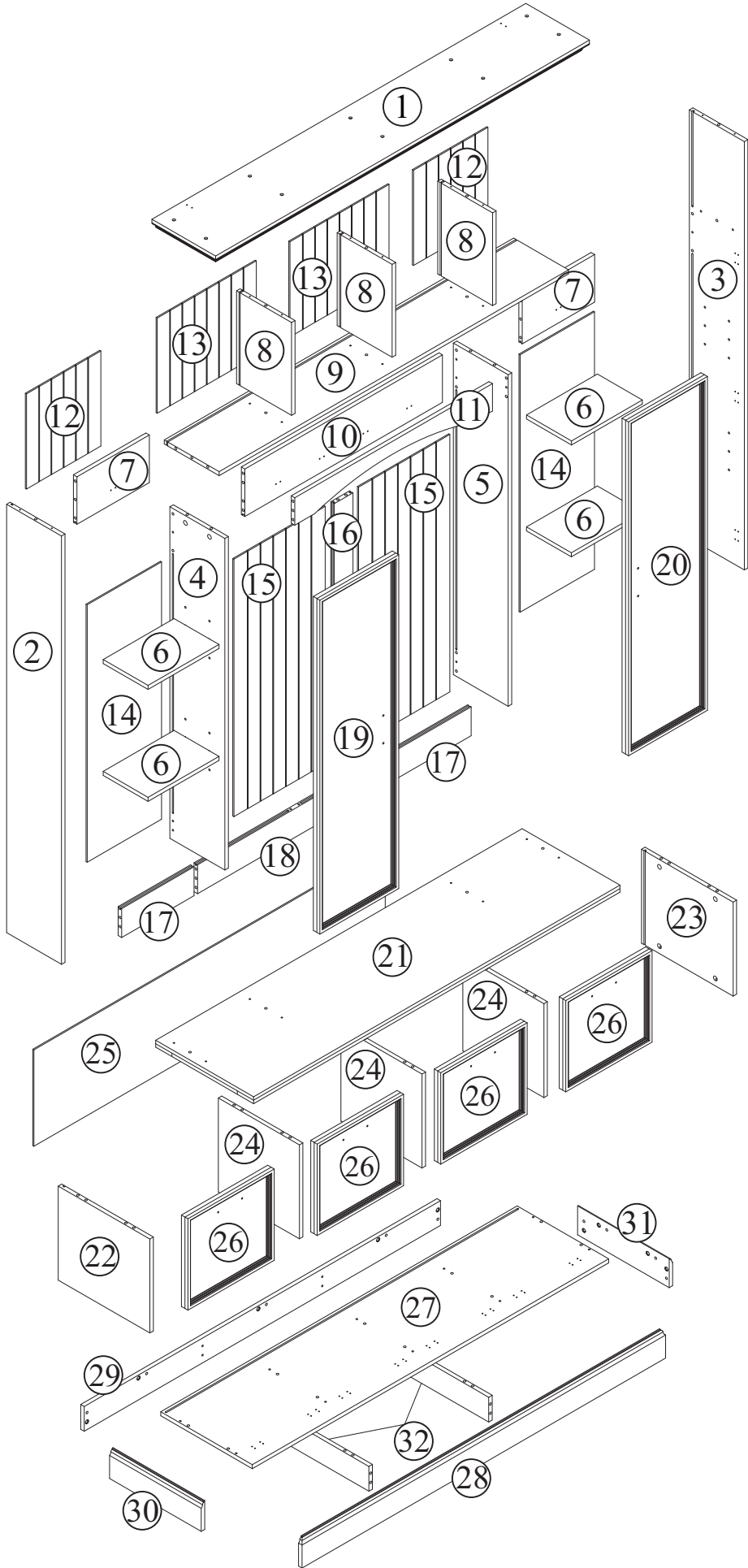
You should feel a click when the camlock is locked in place.

The joint is now secure.

4



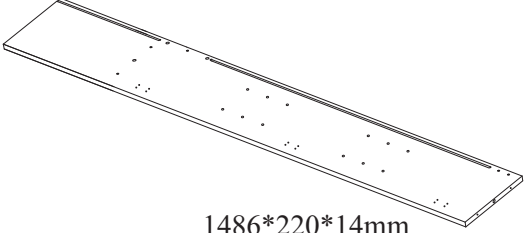
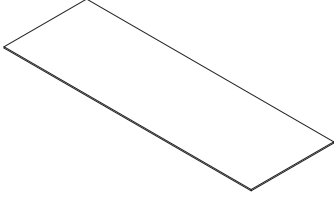
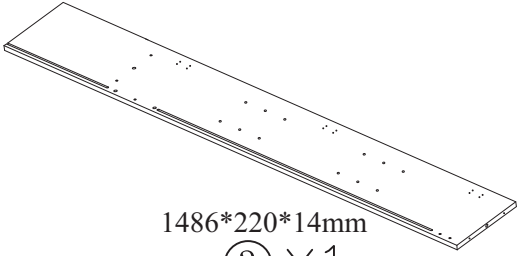
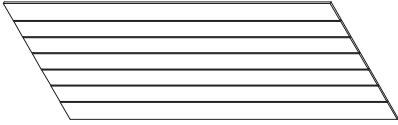
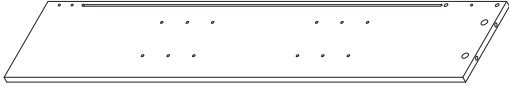
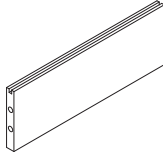
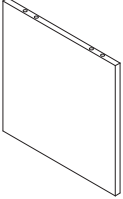
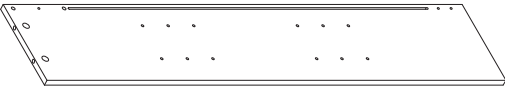
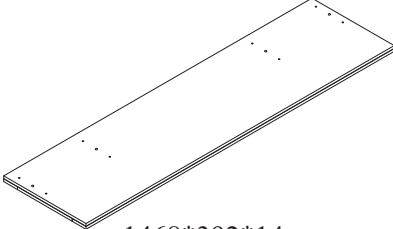
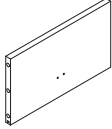
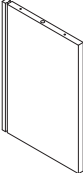
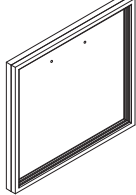
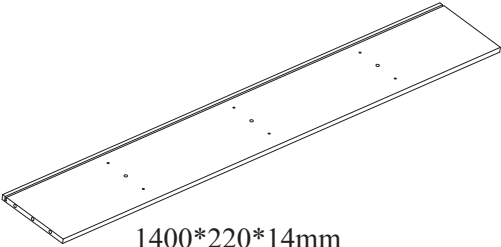
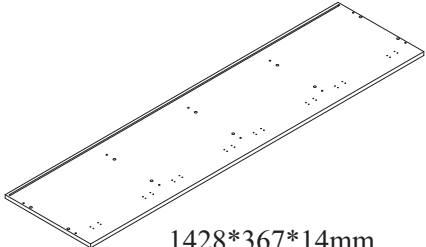
Assembly Instructions



Assembly Instructions

There are 2 boxes of this product

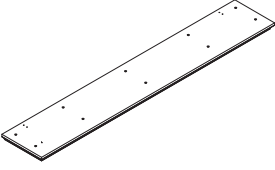
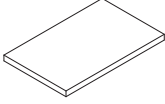
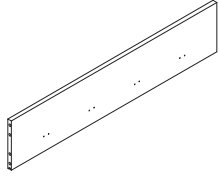
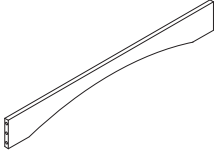
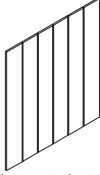
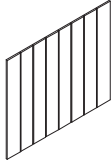

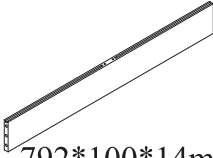

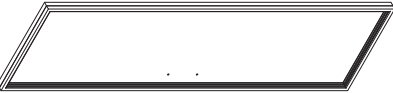
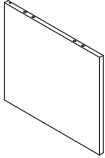
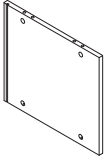
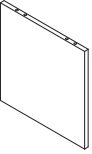
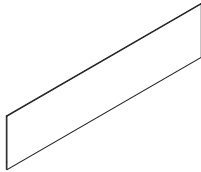
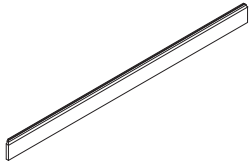
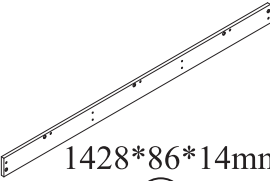
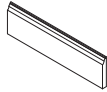
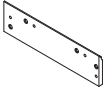
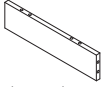
BOX-1: N721P460889

 <p>1486*220*14mm ② × 1</p>	 <p>893*298*4.5mm ⑭ × 2</p>	
 <p>1486*220*14mm ③ × 1</p>	 <p>893*298*4.5mm ⑮ × 2</p>	
 <p>1150*220*14mm ④ × 1</p>	 <p>290*100*14mm ⑰ × 2</p>	 <p>326*325*14mm ⑳ × 1</p>
 <p>1150*220*14mm ⑤ × 1</p>	 <p>1468*392*14mm ㉑ × 1</p>	
 <p>290*165*14mm ⑦ × 2</p>	 <p>322*220*14mm ⑧ × 3</p>	 <p>346*317*26mm ㉒ × 4</p>
 <p>1400*220*14mm ⑨ × 1</p>	 <p>1428*367*14mm ㉓ × 1</p>	

Assembly Instructions

There are 2 boxes of this product


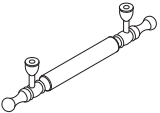



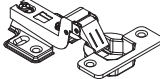

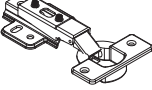







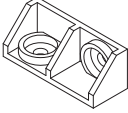



BOX-2: N721P460890

 <p>1498*255*37mm ① × 1</p>	 <p>284*180*14mm ⑥ × 4</p>	 <p>792*165*14mm ⑩ × 1</p>
 <p>792*95*14mm ⑪ × 1</p>	 <p>330*298*4.5mm ⑫ × 2</p>	 <p>330*397*4.5mm ⑬ × 2</p>
 <p>885*74*14mm ⑯ × 1</p>	 <p>792*100*14mm ⑱ × 1</p>	 <p>1159*317*26mm ⑲ × 1</p>
 <p>1159*317*26mm ⑳ × 1</p>	 <p>326*367*14mm ㉒ × 1</p>	 <p>326*367*14mm ㉓ × 1</p>
 <p>326*325*14mm ㉔ × 2</p>	 <p>1408*334*4.5mm ㉕ × 1</p>	 <p>1457*100*14mm ㉘ × 1</p>
 <p>1428*86*14mm ㉙ × 1</p>	 <p>367*100*14mm ㉚ × 1</p>	 <p>367*100*14mm ㉛ × 1</p>
 <p>353*86*14mm ㉜ × 2</p>	<p>HARDWARE KIT</p> <p>1PC</p>	

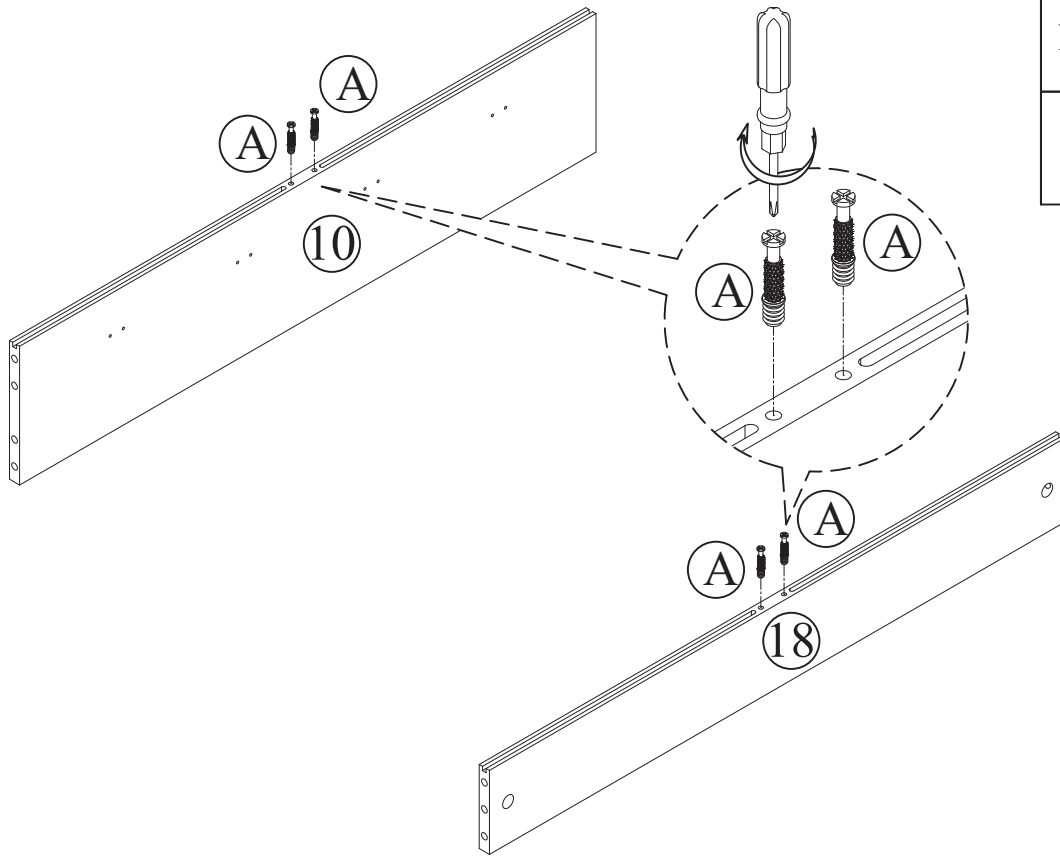
Components-Fittings

Please check you have all the panels listed below

Note: The quantities below are the correct amount to complete the assembly. In some cases more fittings may be supplied than are required.

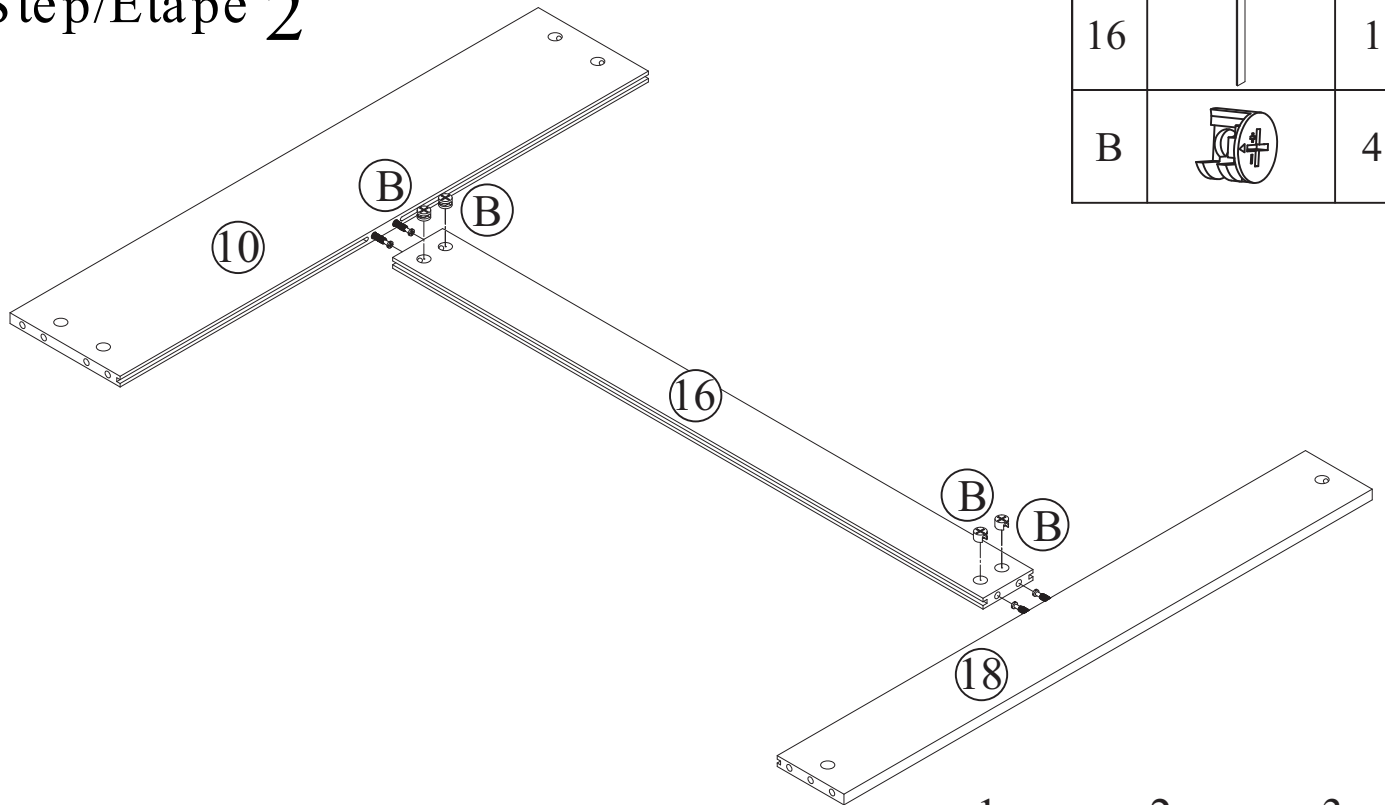
Ⓐ	Ø5*35MM		64+5PCS	Ⓞ		6PCS
Ⓑ	Ø15*10MM		64+5PCS	Ⓟ	Ø5/32"*18MM 	12+1PCS
Ⓒ	Ø6*30MM		50+5PCS	Ⓠ		8PCS
Ⓓ	Ø3.5*12MM		84+5PCS	Ⓡ		6PCS
Ⓔ	Ø6*50MM		4PCS	Ⓢ	Ø20*0.2MM 	64+5PCS
Ⓕ	Ø3.9*40MM		24+2PCS	Ⓣ	Ø 3.9*30MM 	2PCS
Ⓖ			8PCS	Ⓙ	72*15*25MM Ø3.9*15MM 	2PCS
Ⓗ	Ø3.5*12MM		16+2PCS	Ⓛ	58*29*29MM 	14PCS
Ⓘ	17.5*16*9.5MM		38+4PCS	Ⓜ	Ø1/4"*12MM 	28+2PCS
				Ⓝ	15*19*16MM 	16+1PCS

Step/Étape 1

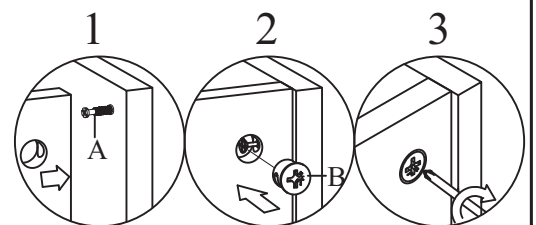


10		1
18		1
A		4

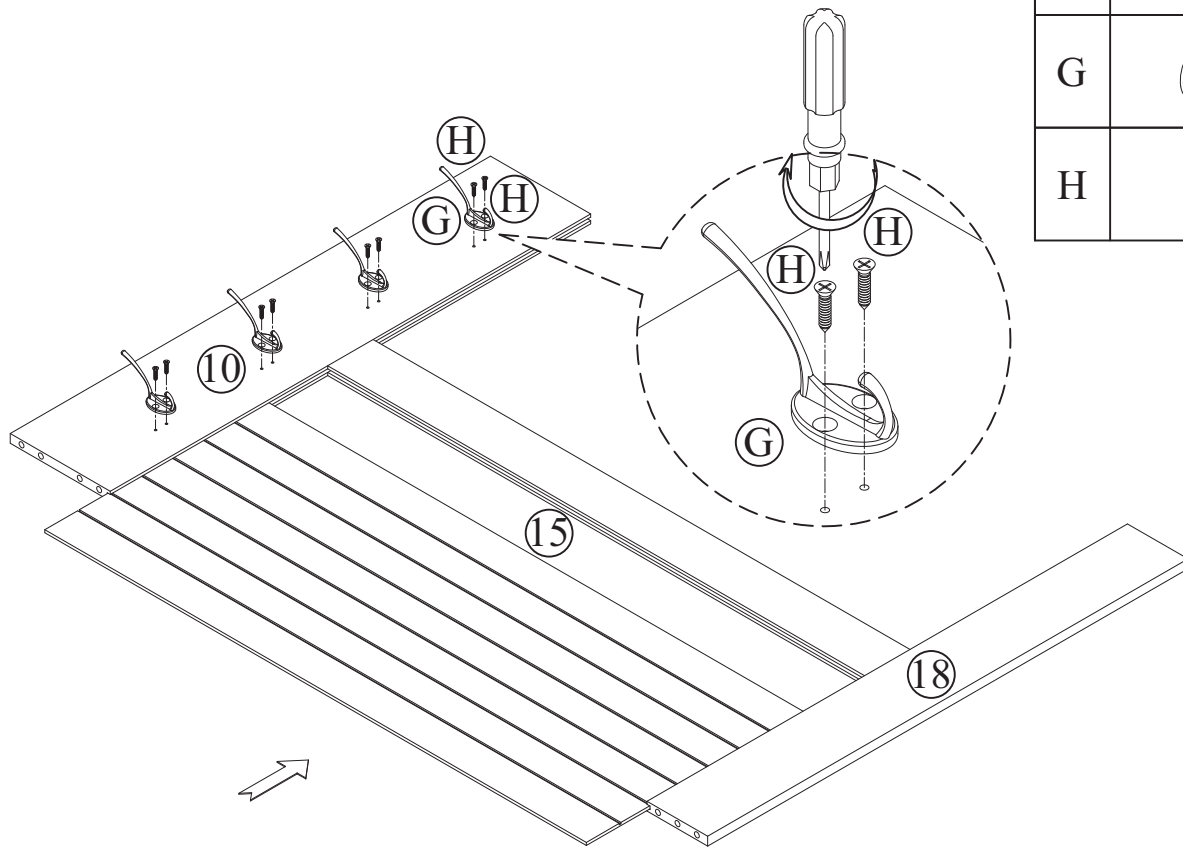
Step/Étape 2






16		1
B		4

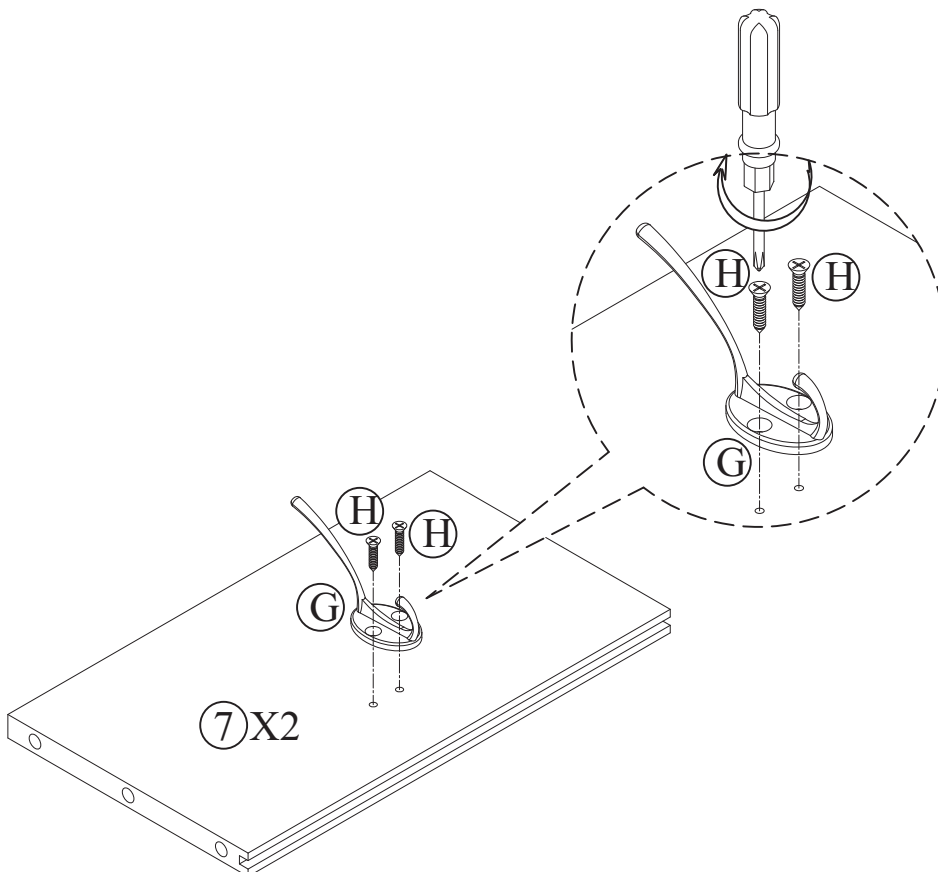


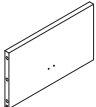


Step/Étape 3





15		1
G		4
H		8

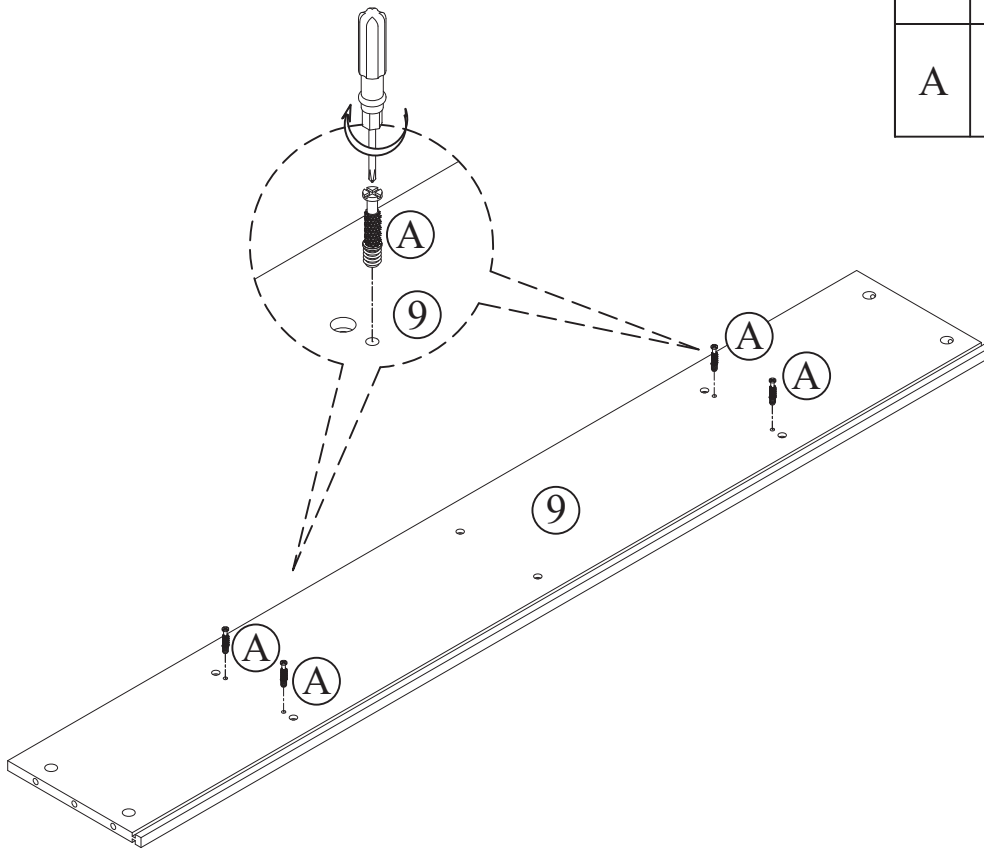
Step/Étape 4






7		2
G		2
H		4

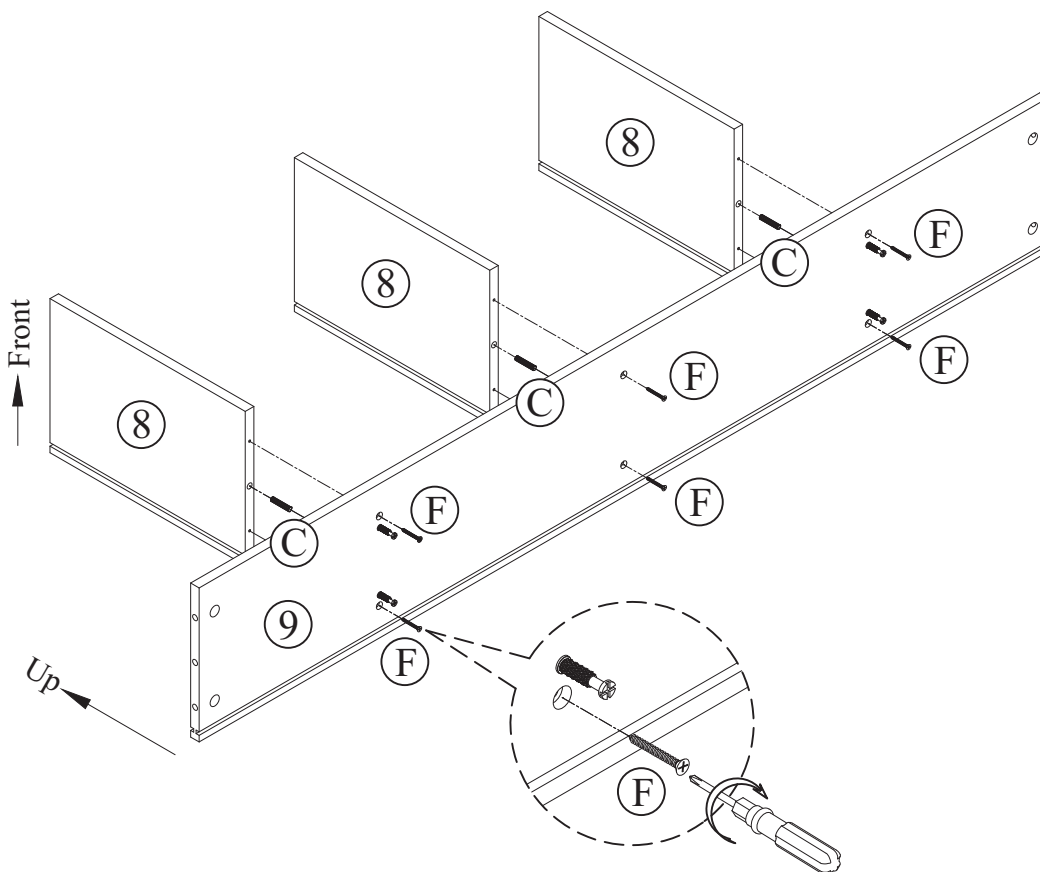
Step/Étape 5

9		1
A		4






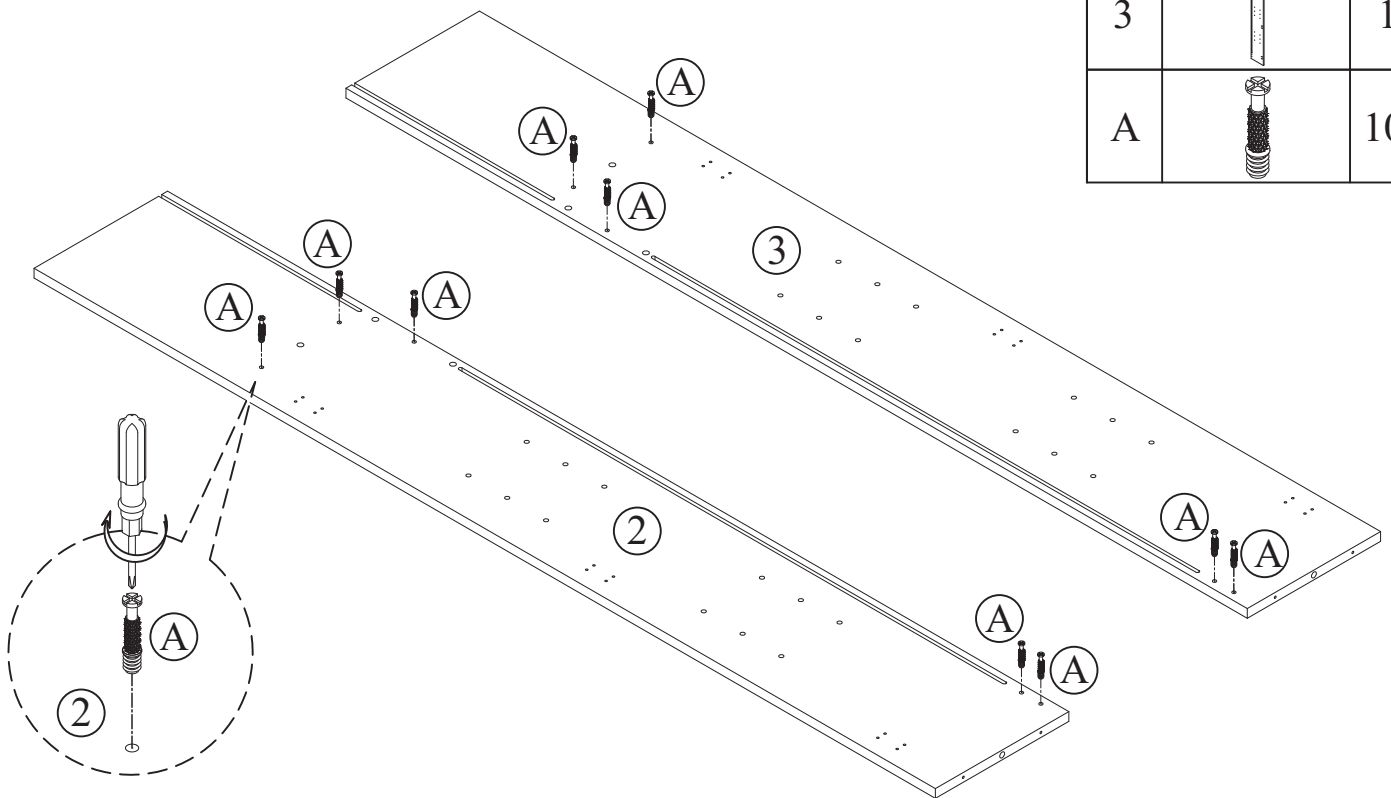
Step/Étape 6

8		3
C		3
F		6

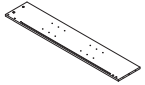



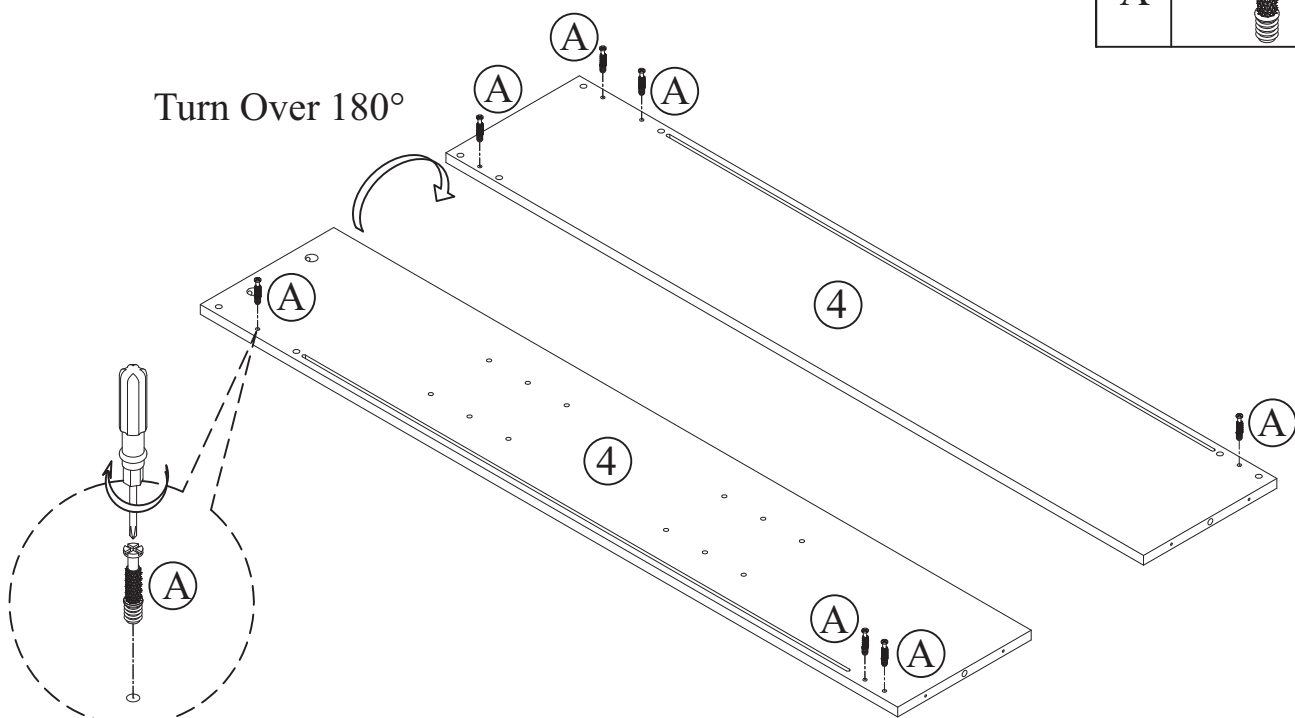
Step/Étape 7

2		1
3		1
A		10



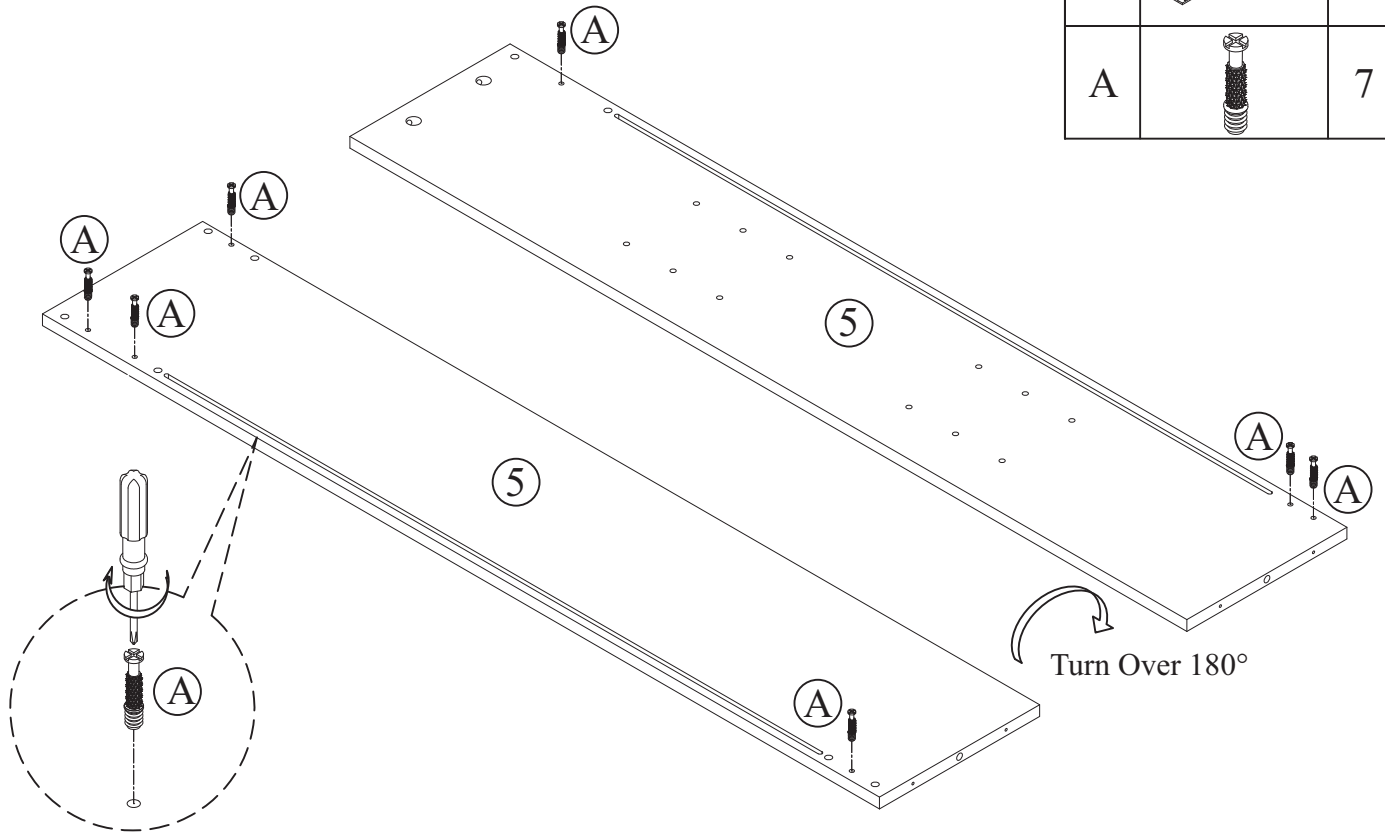
Step/Étape 8

4		1
A		7



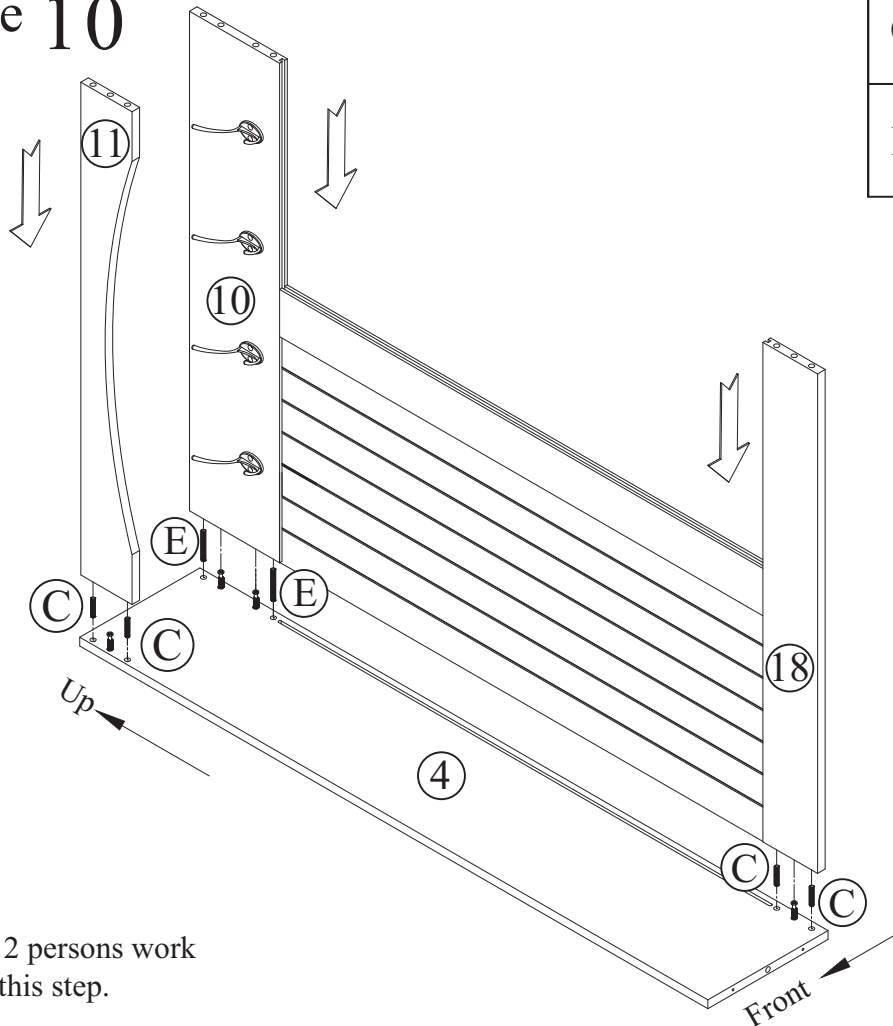
Step/Étape 9

5		1
A		7



Step/Étape 10

C		4
E		2



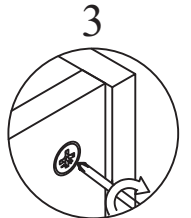
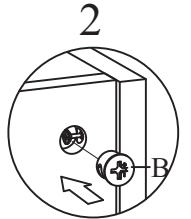
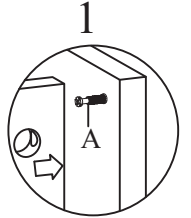
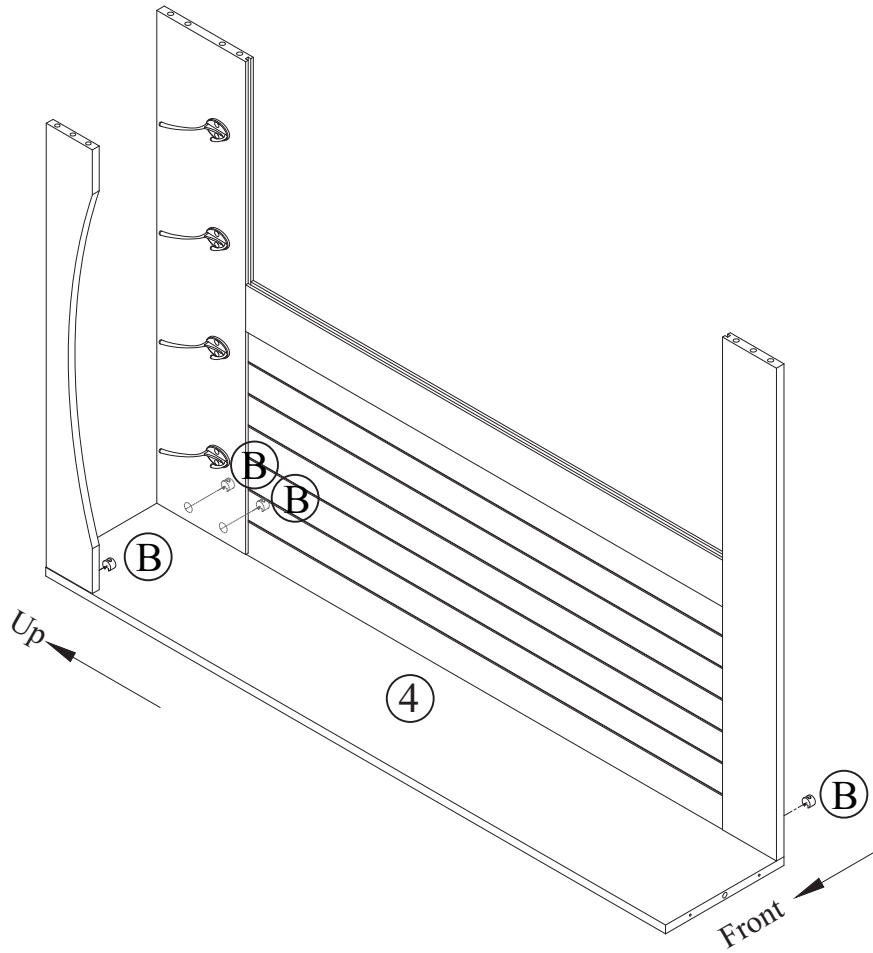
It's better if 2 persons work together in this step.

Step/Étape 11

B

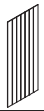


4

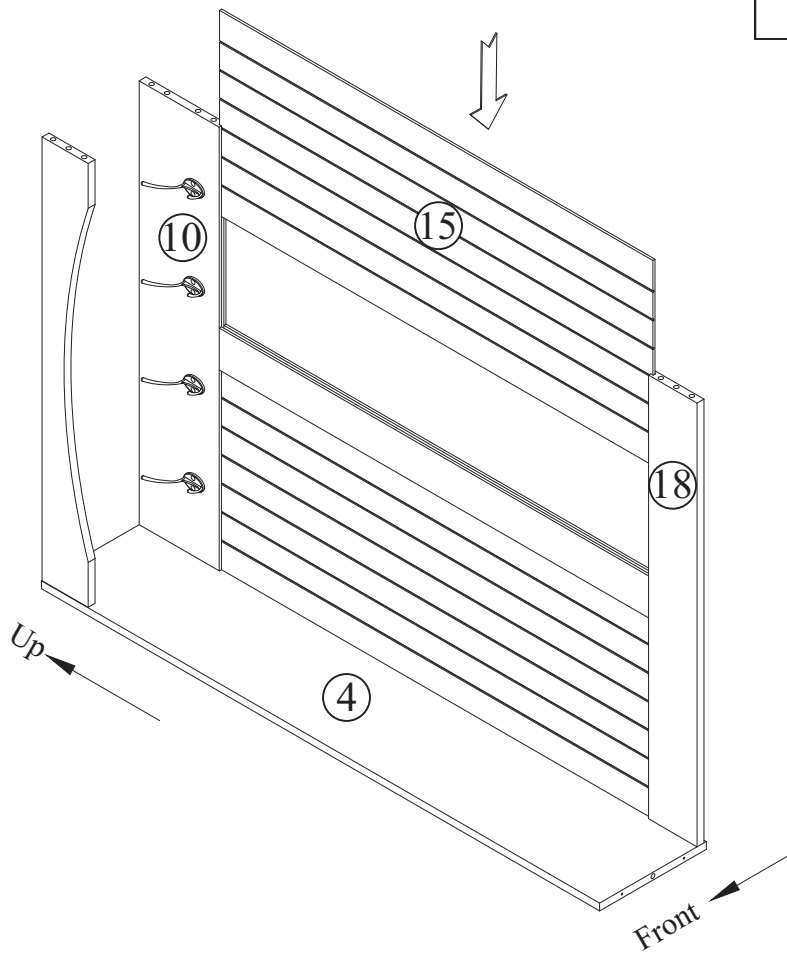


Step/Étape 12



15

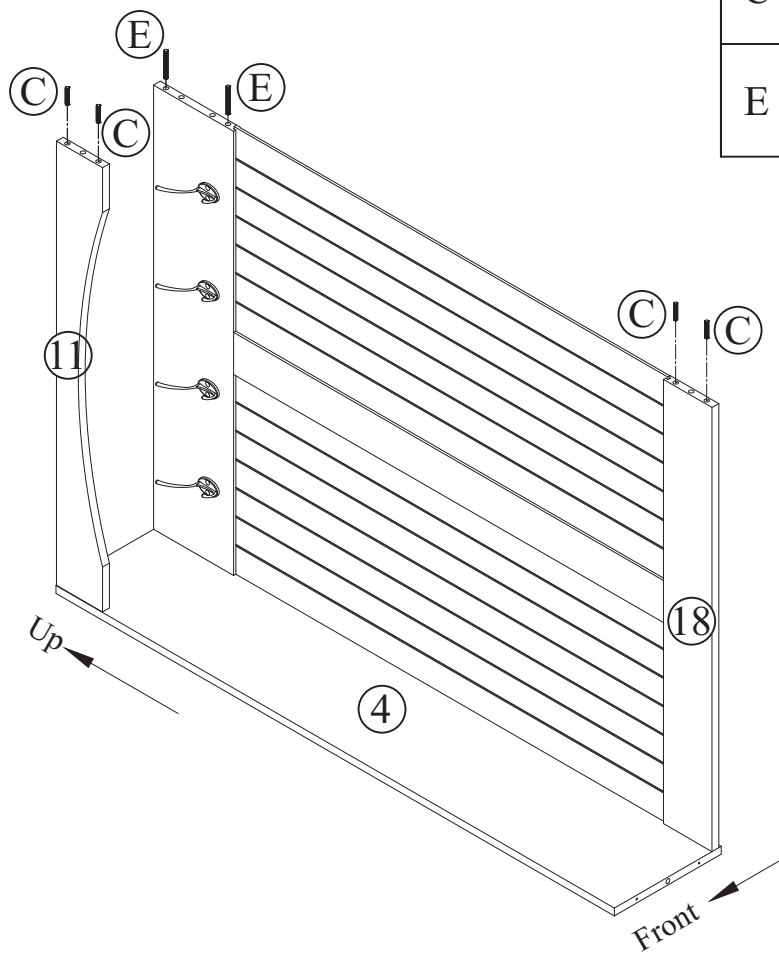
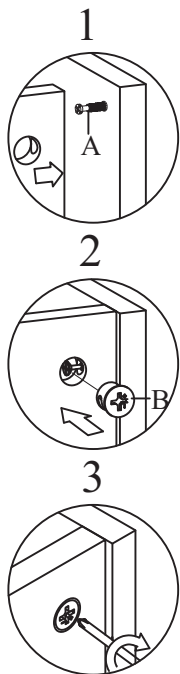


1




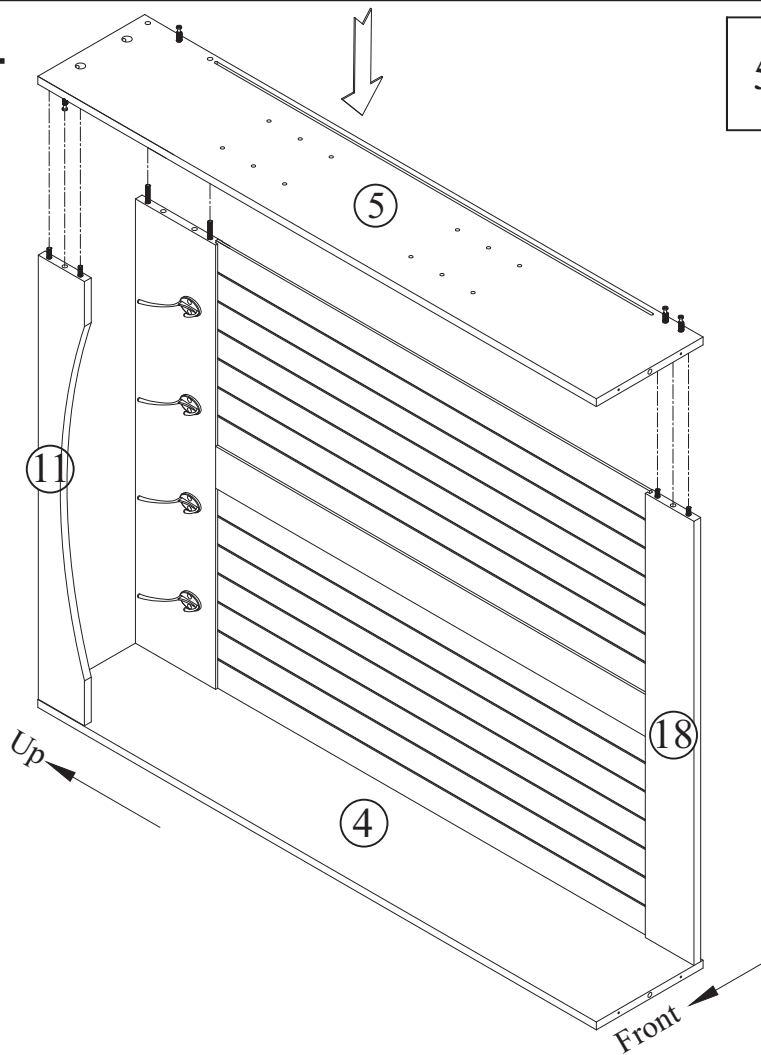
Step/Étape 13

C		4
E		2



Step/Étape 14

5		1
---	---	---

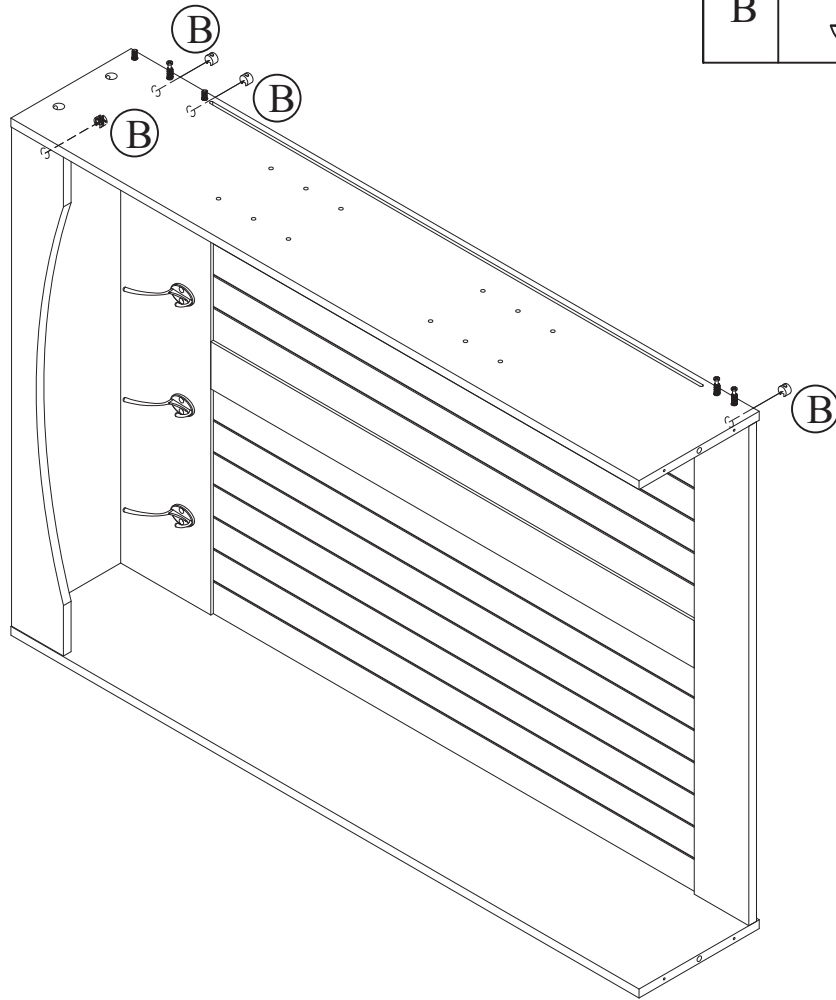
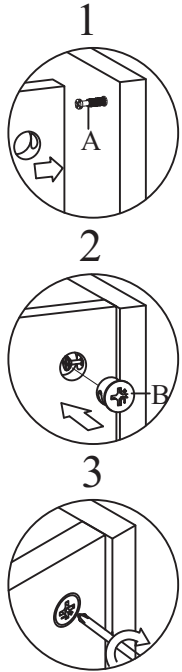


Step/Étape 15

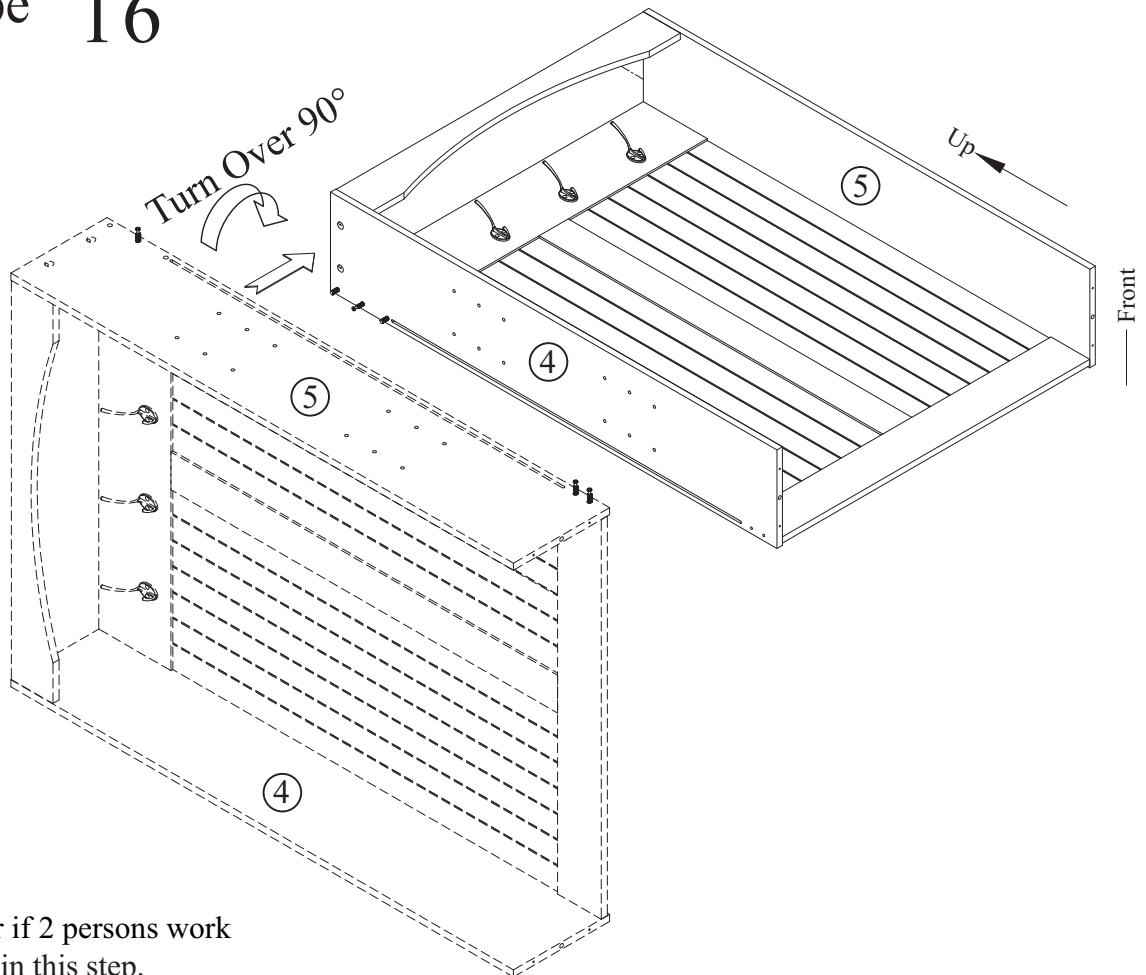
B



4




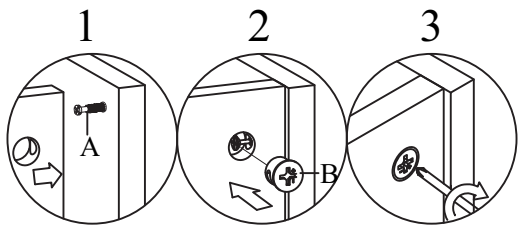
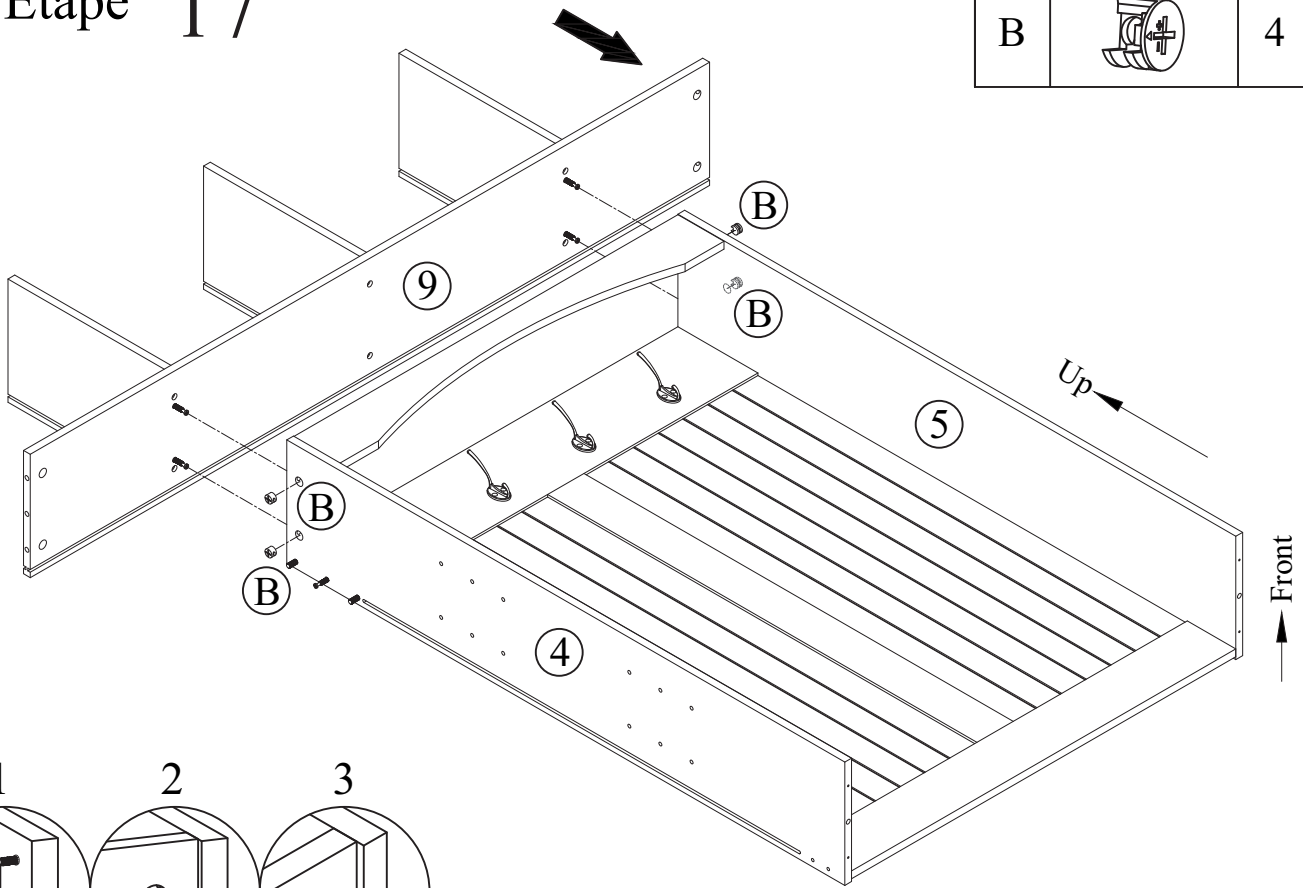
Step/Étape 16




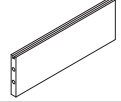
It's better if 2 persons work together in this step.

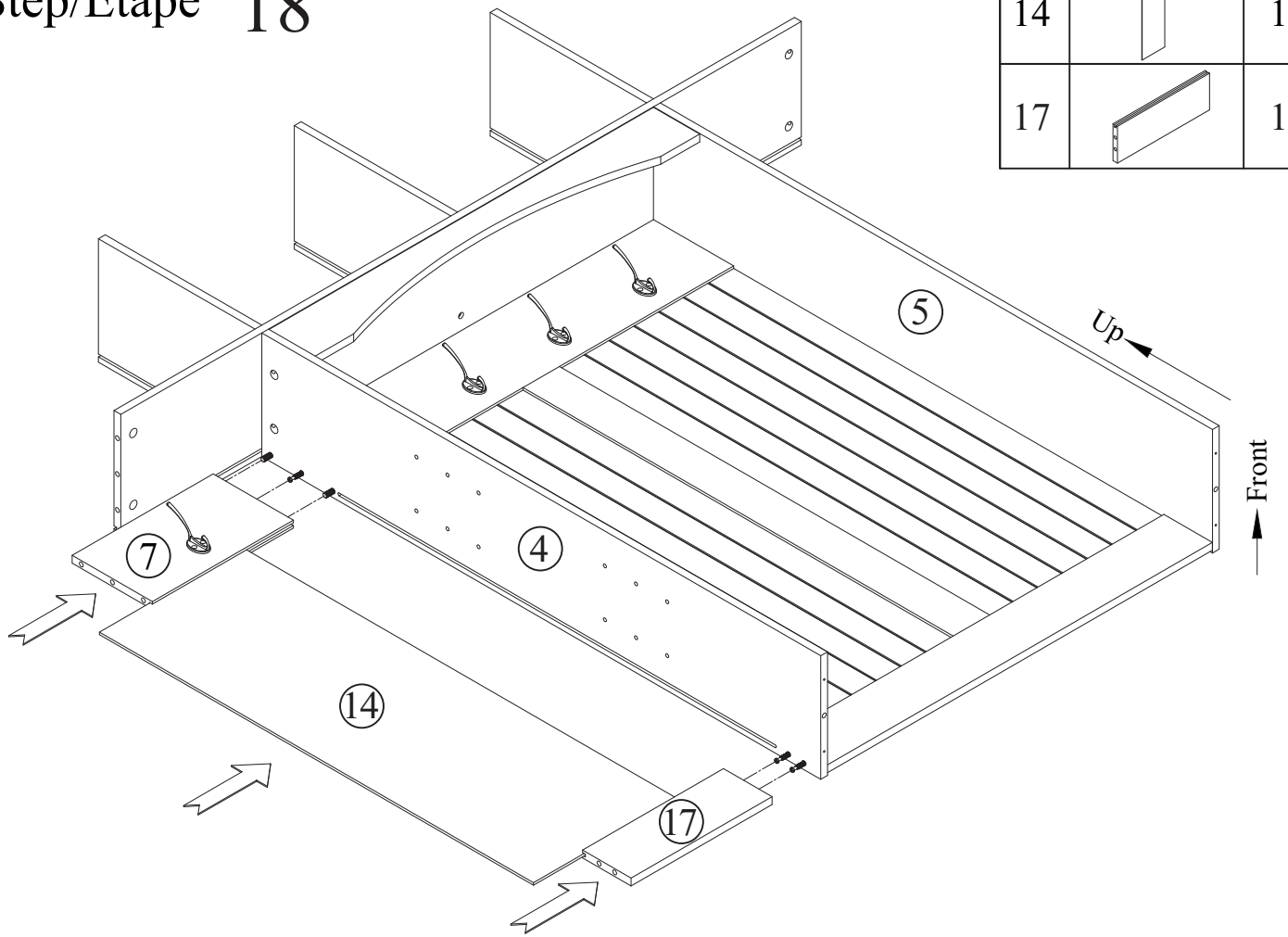
Step/Étape 17

B		4
---	---	---






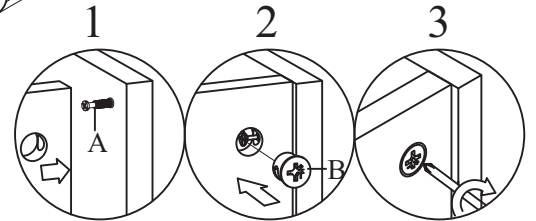
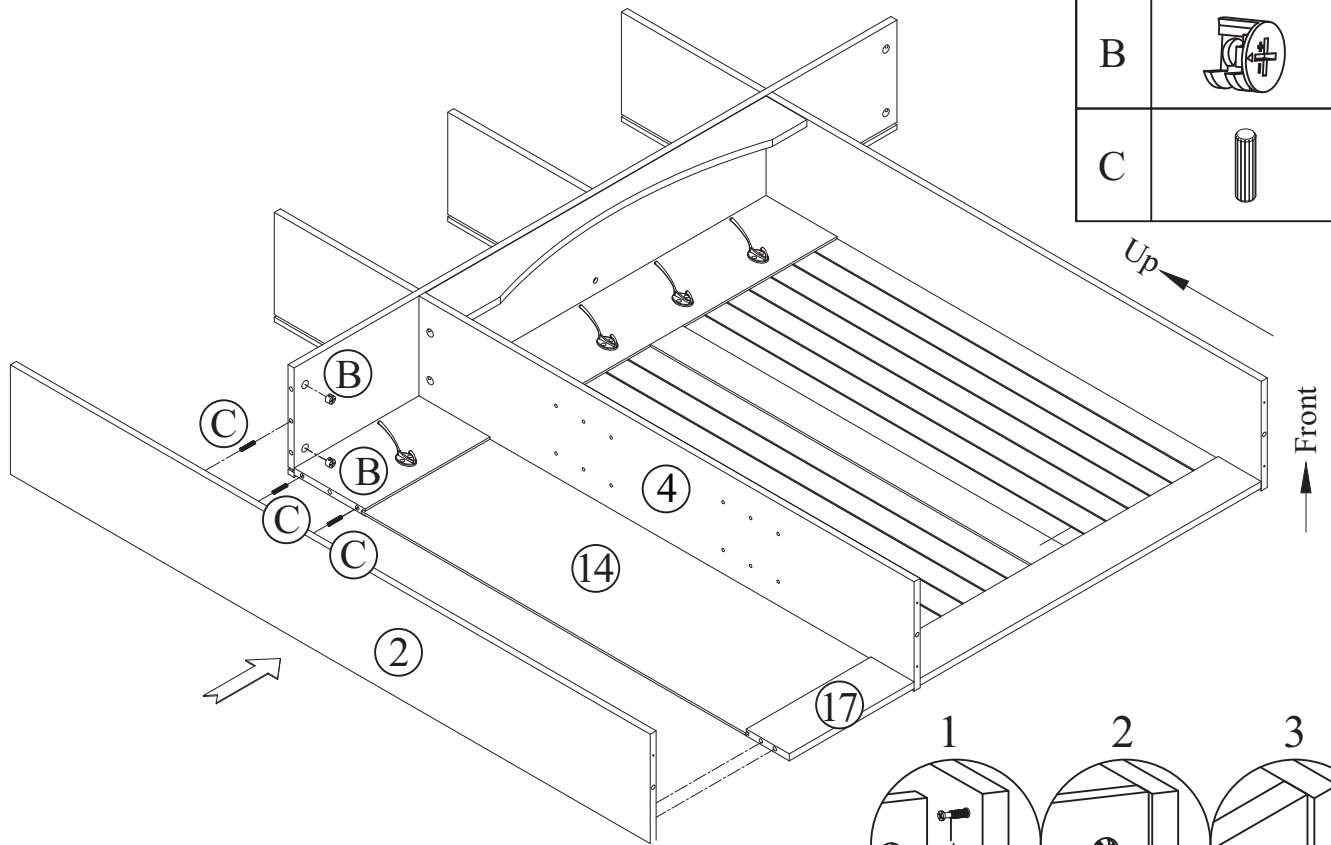
Step/Étape 18

14		1
17		1


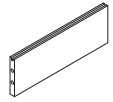


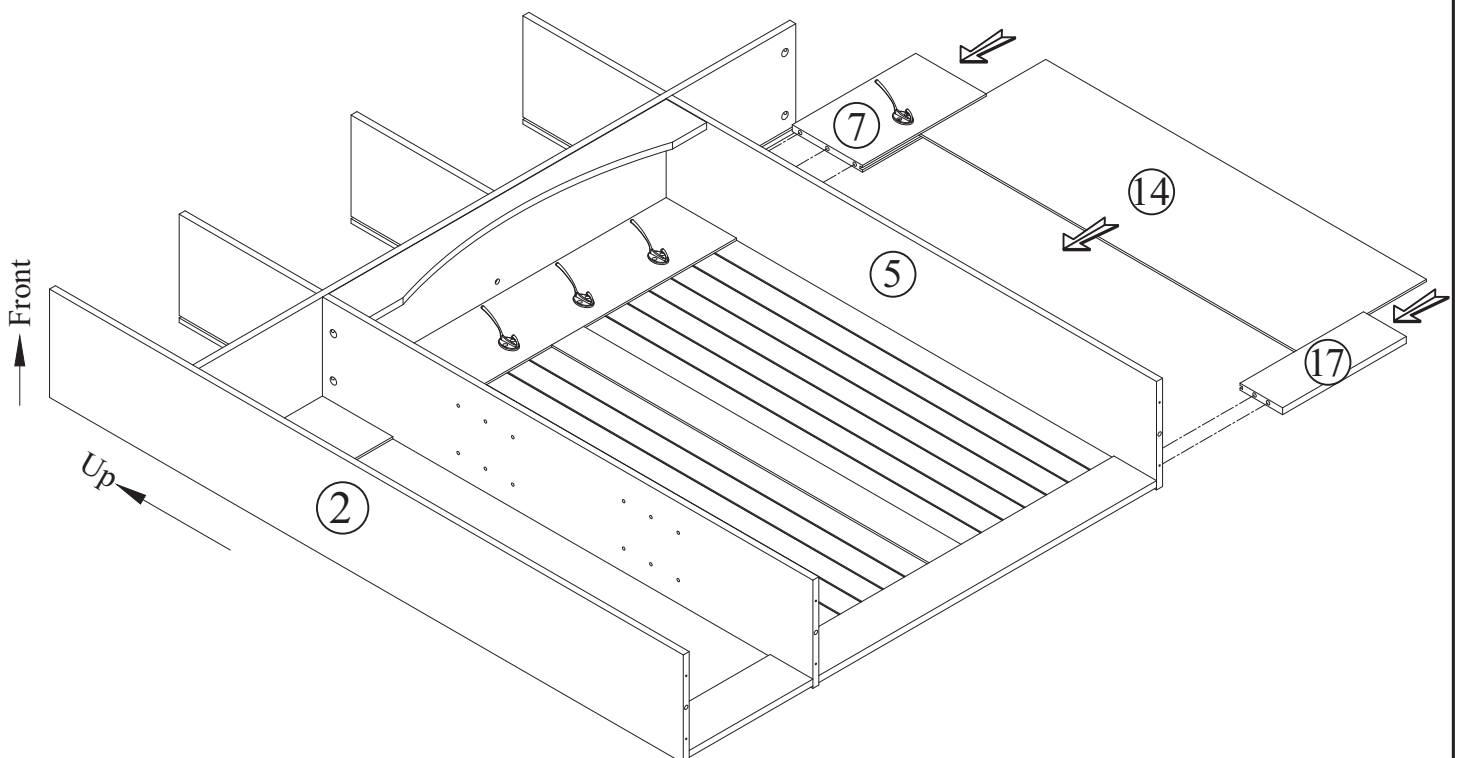
Step/Étape 19

2		1
B		2
C		3






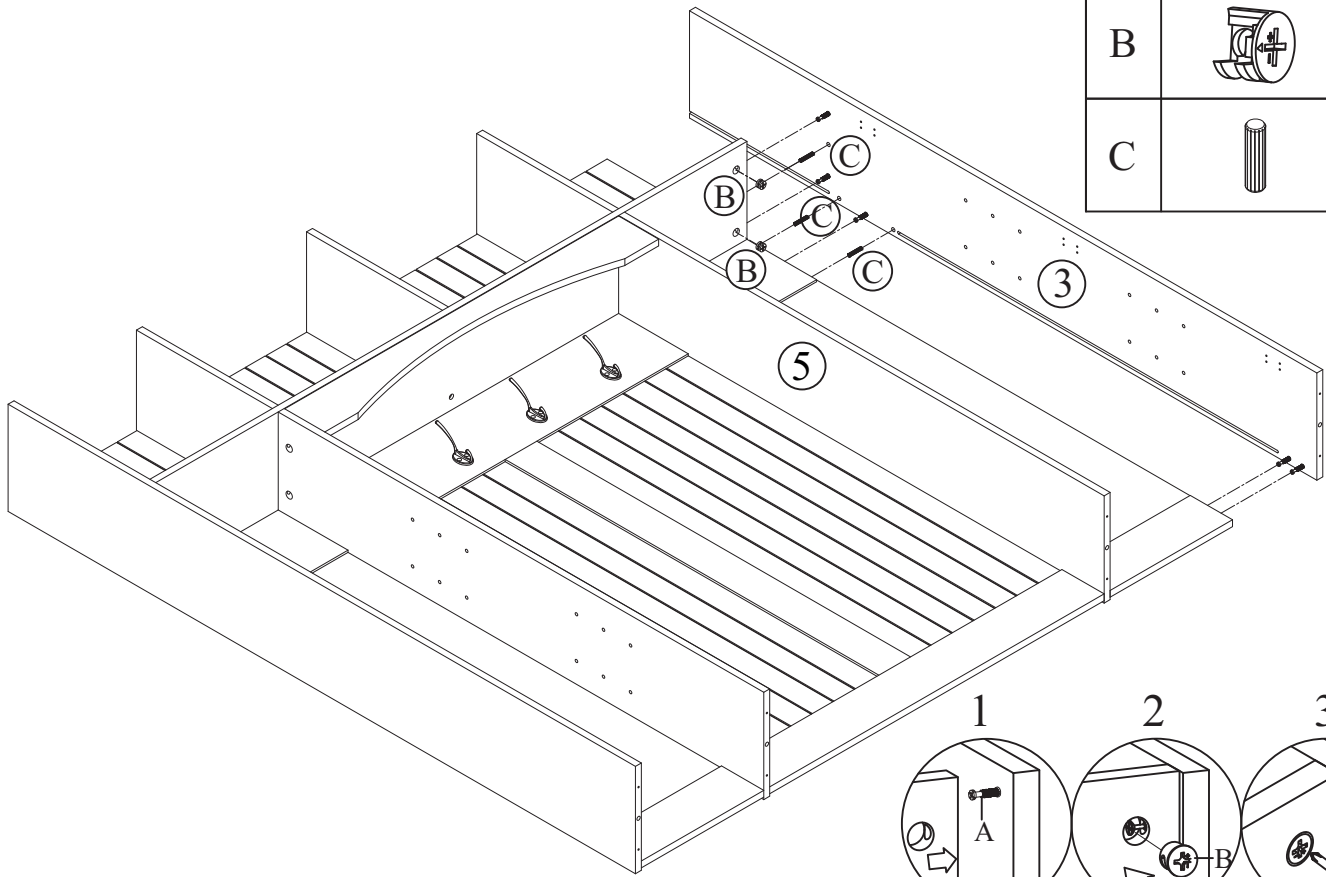
Step/Étape 20

14		1
17		1





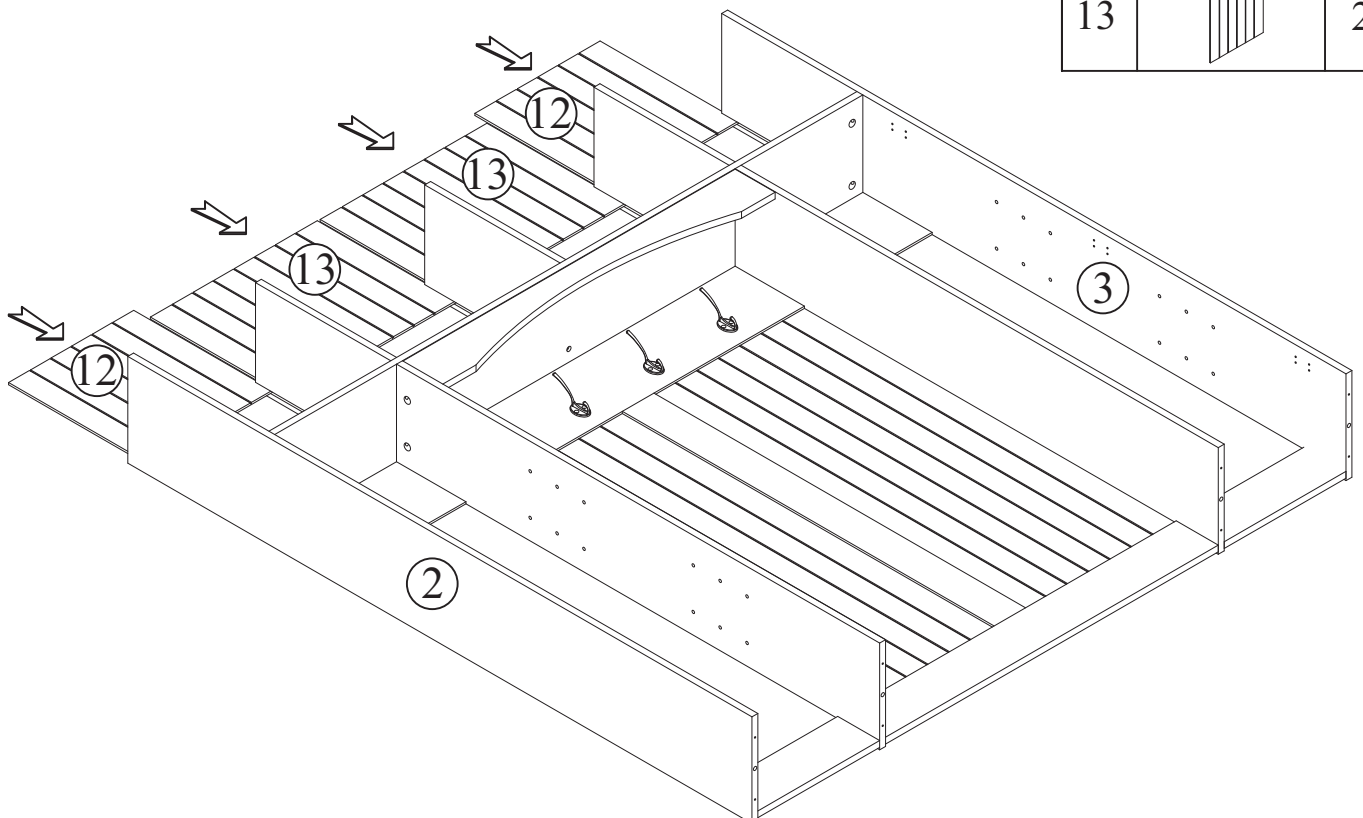
Step/Étape 21

3		1
B		2
C		3

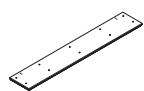
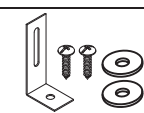


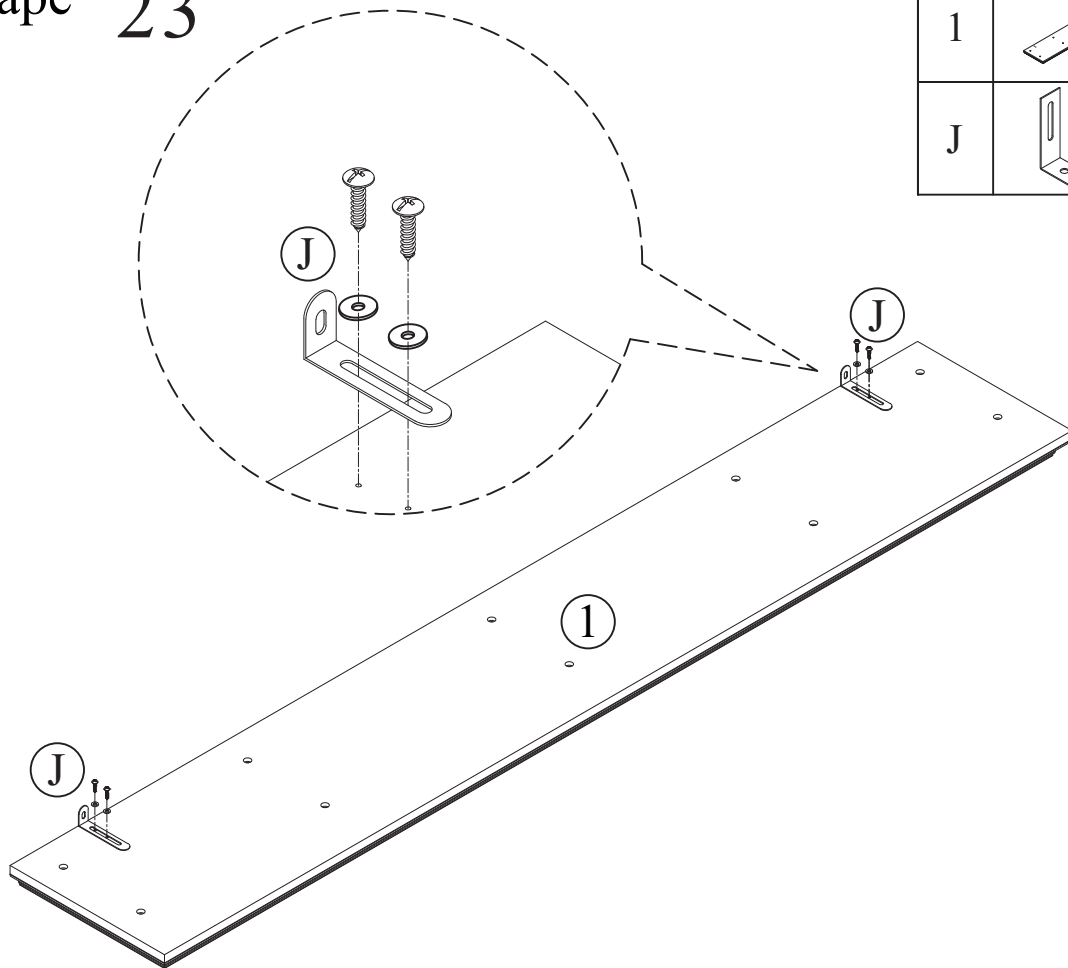
Step/Étape 22

12		2
13		2


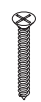


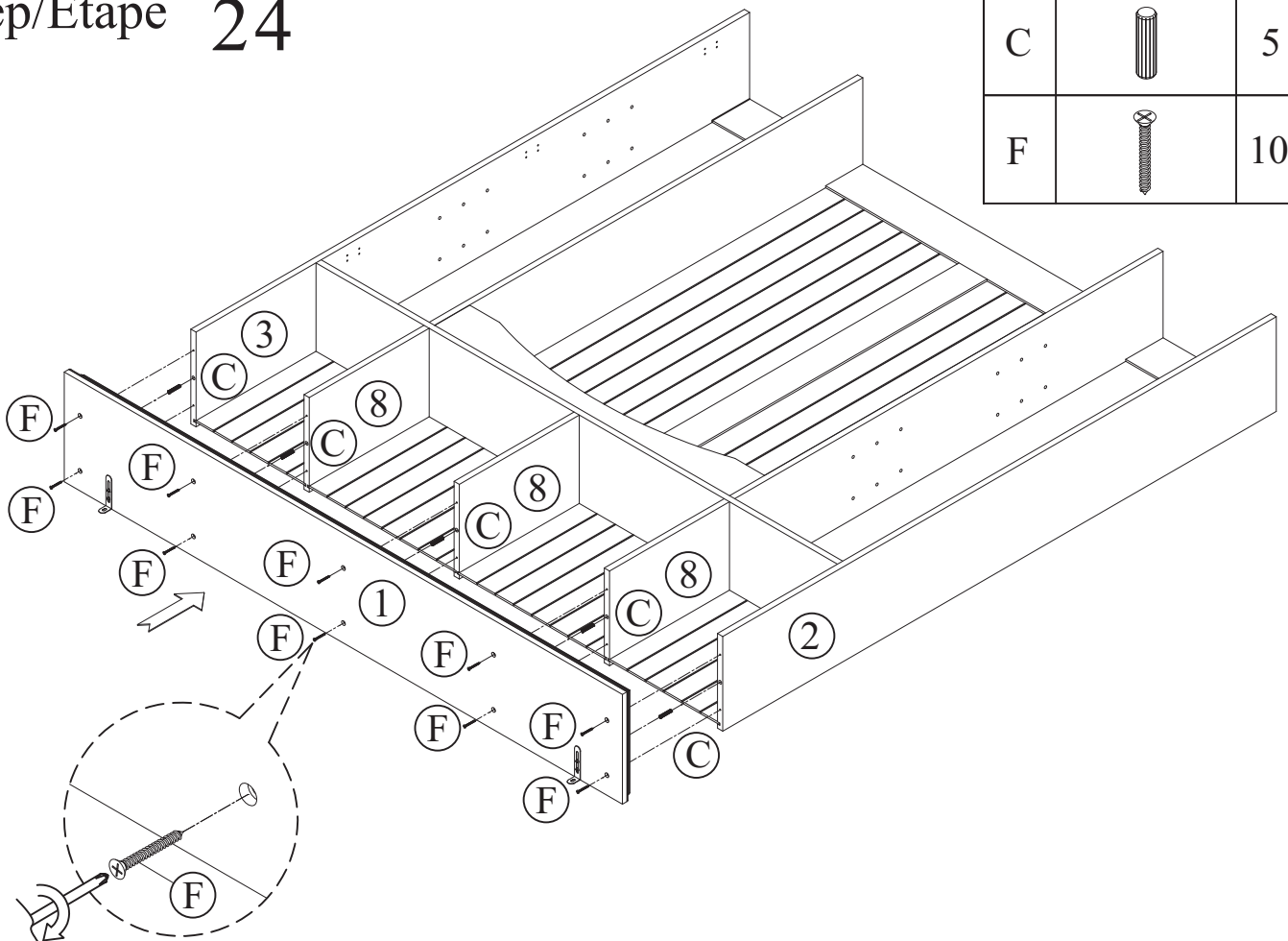
Step/Étape 23

1		1
J		2

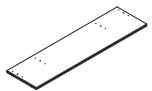



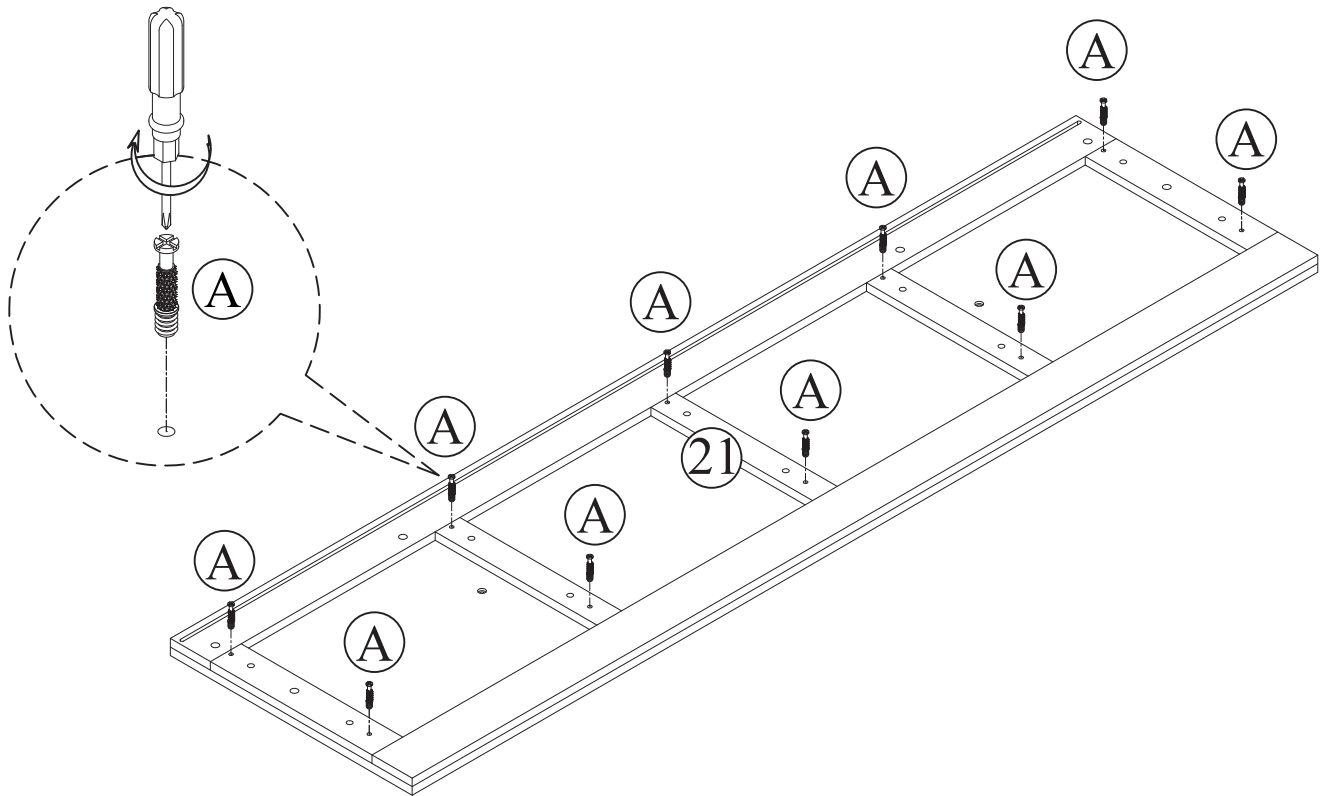
Step/Étape 24

C		5
F		10





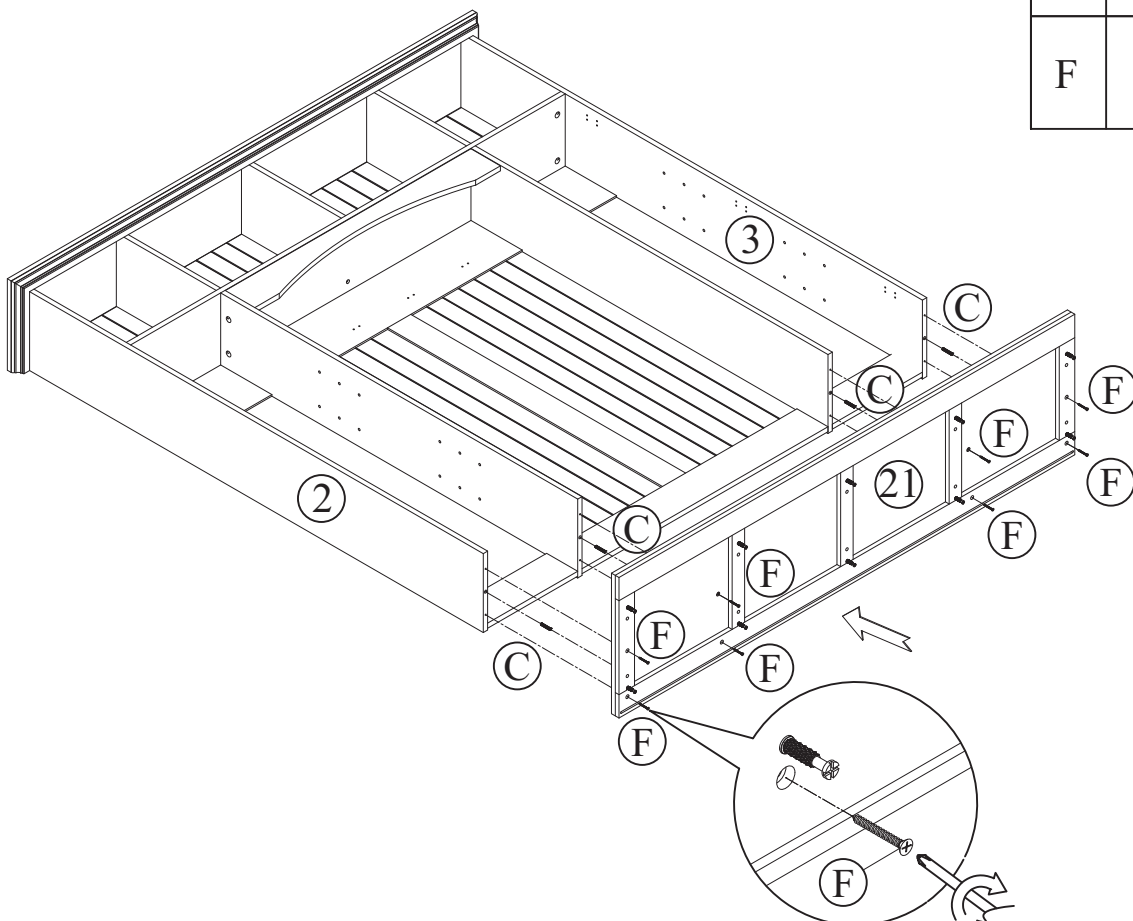
Step/Étape 25

21		1
A		10




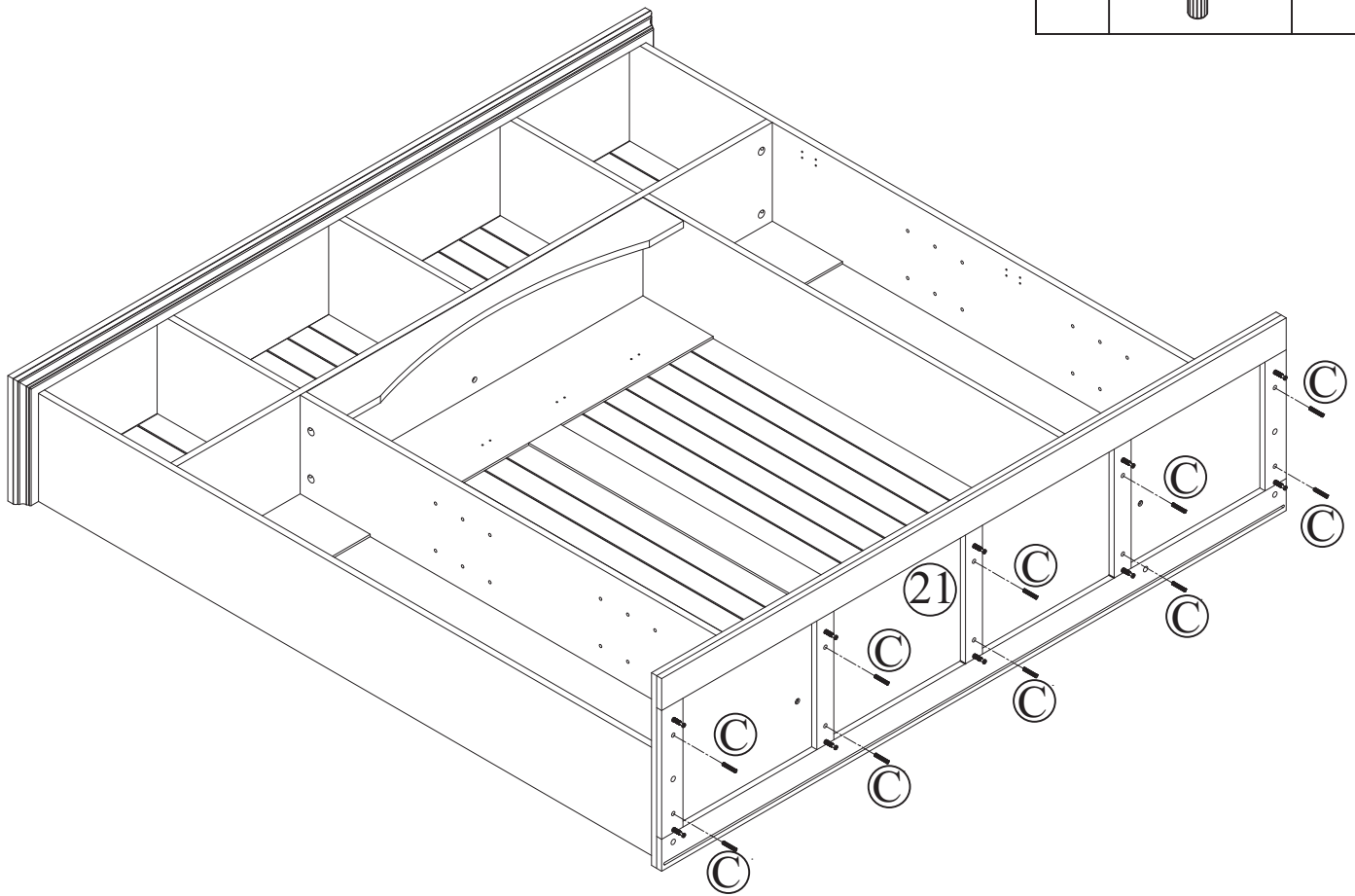
Step/Étape 26

C		4
F		8

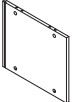
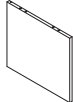
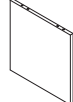



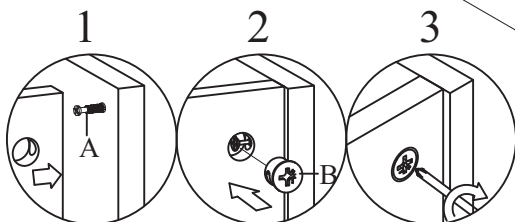
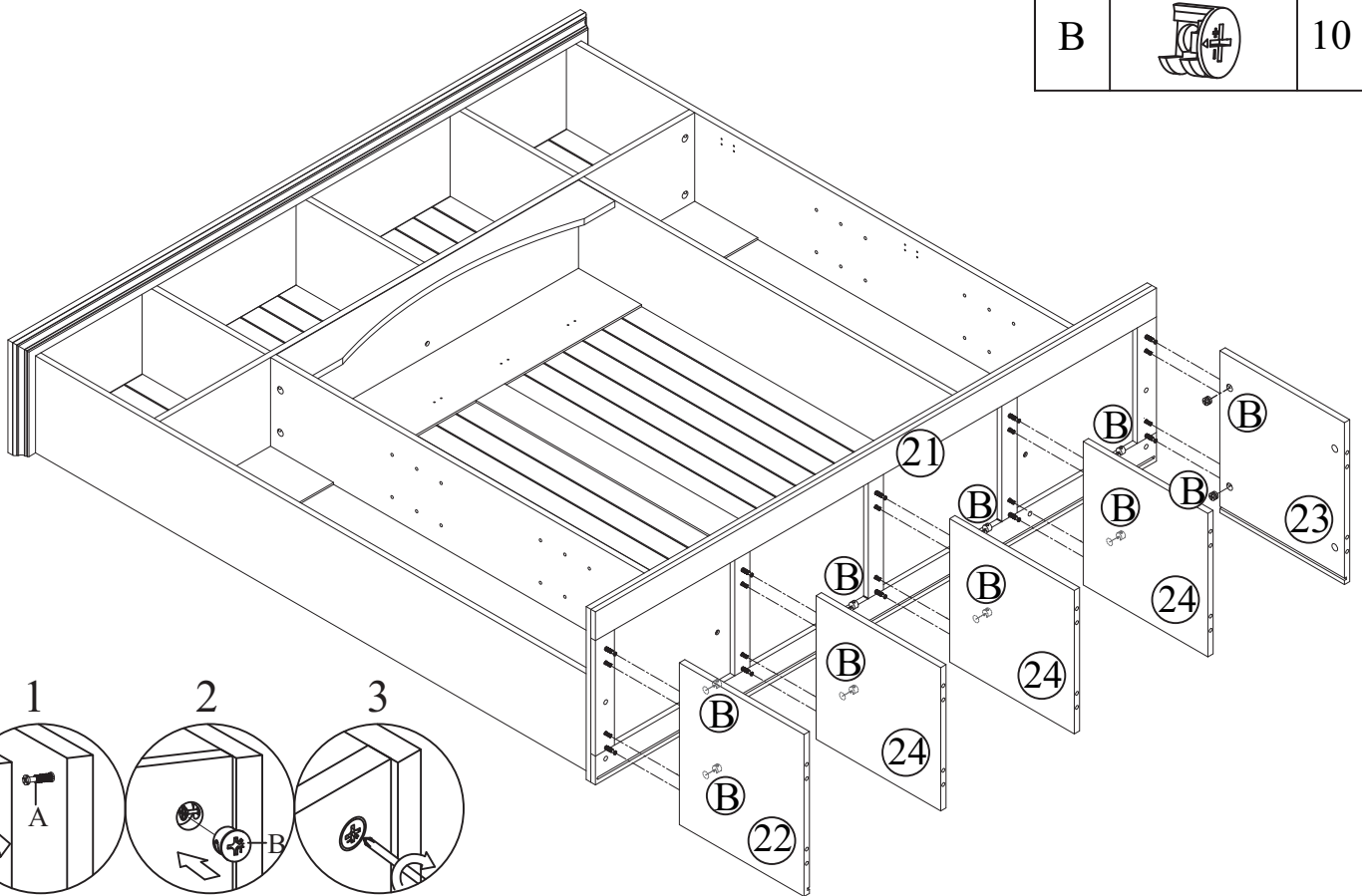
Step/Étape 27

C		10
---	---	----

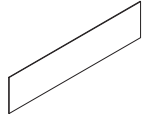


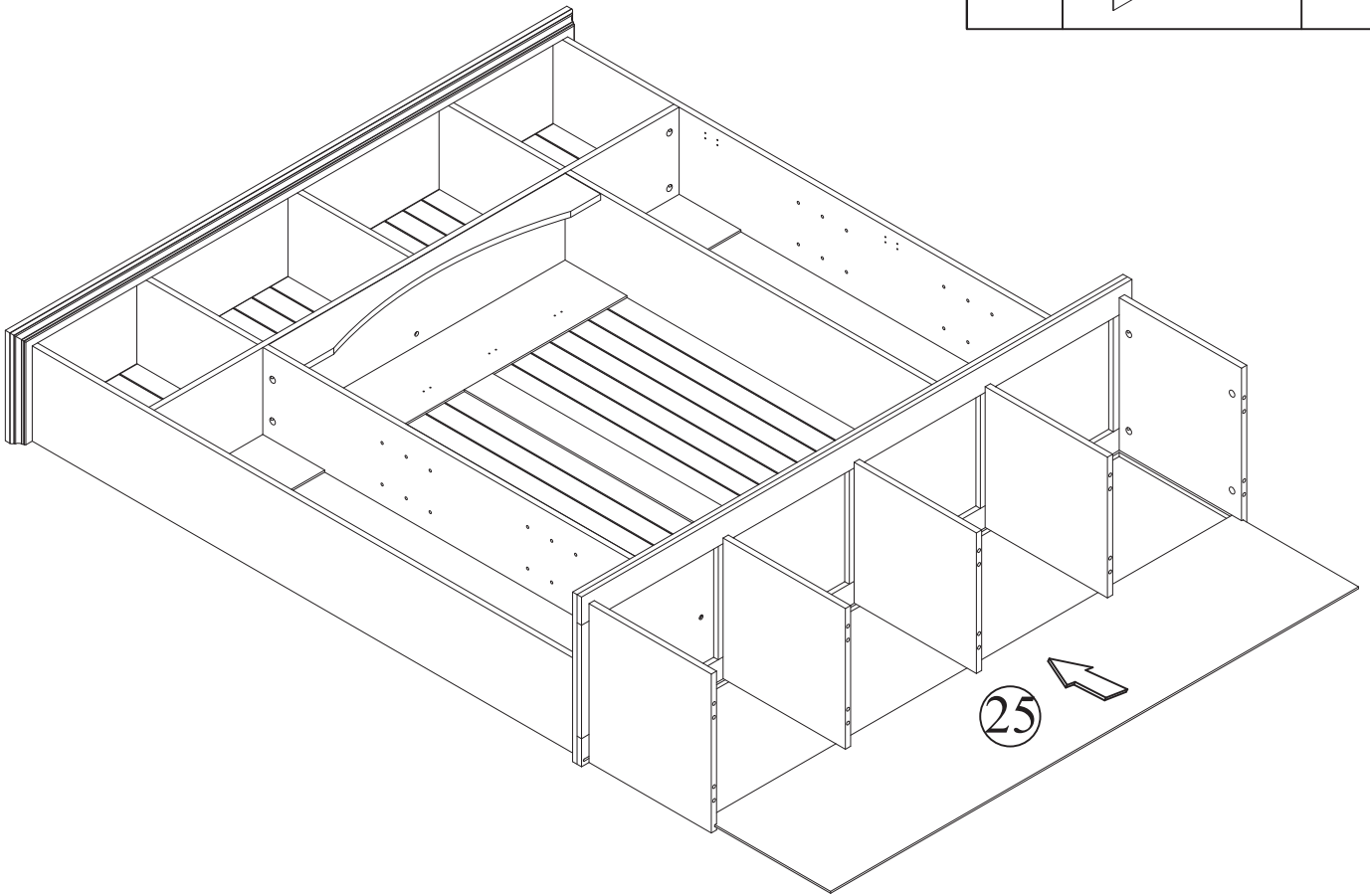
Step/Étape 28

23		1	22		1	24		3
						B		10

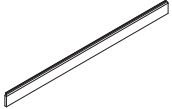
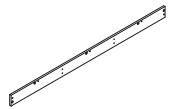



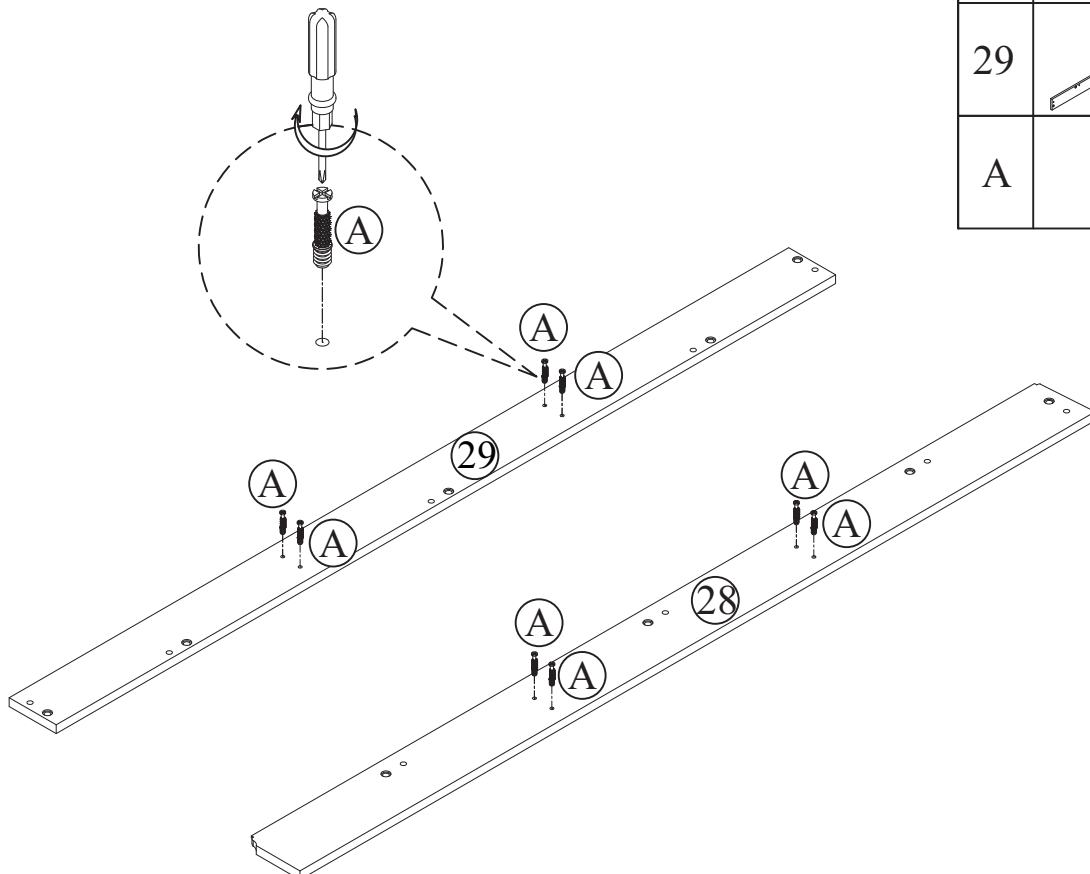
Step/Étape 29

25		1
----	--	---

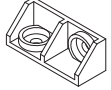



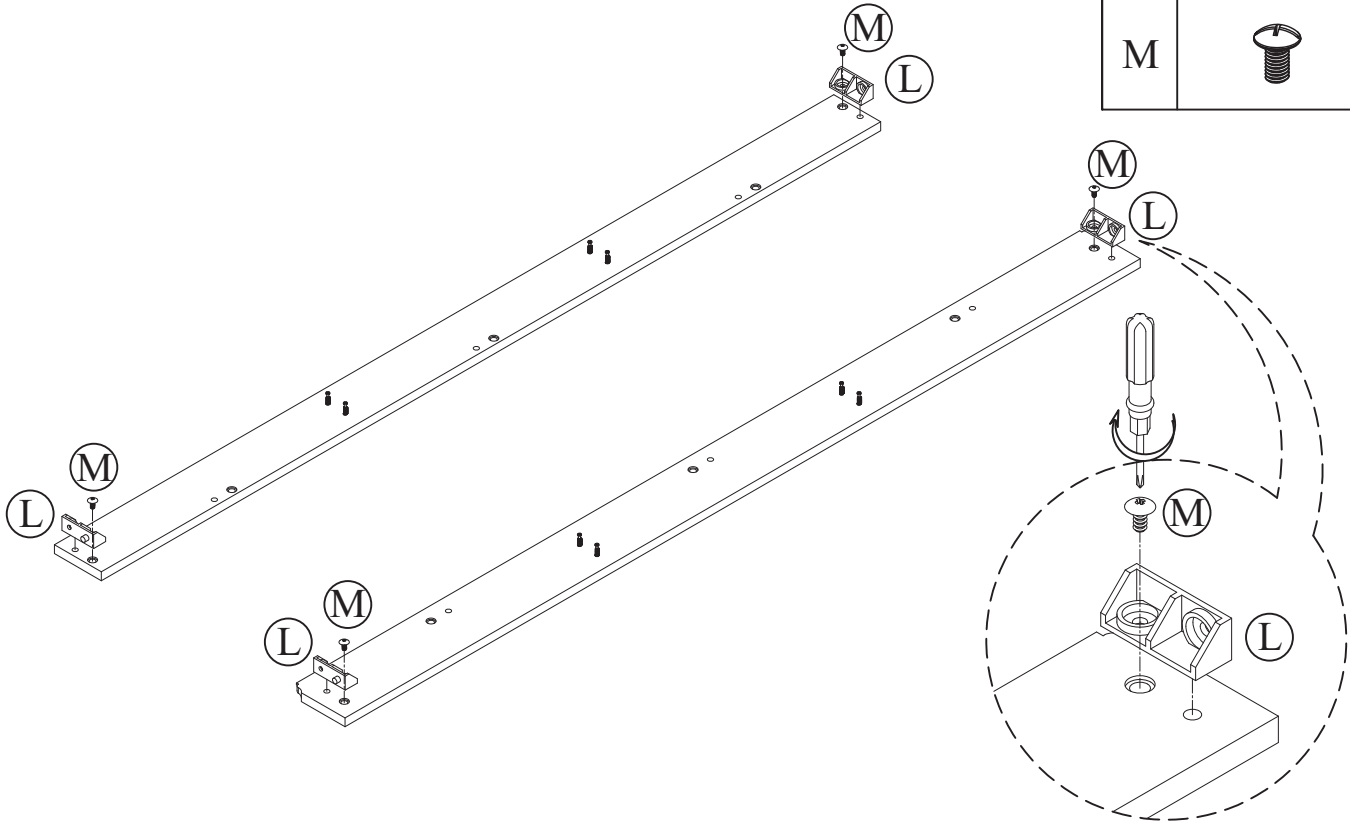
Step/Étape 30

28		1
29		1
A		8

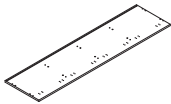
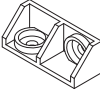



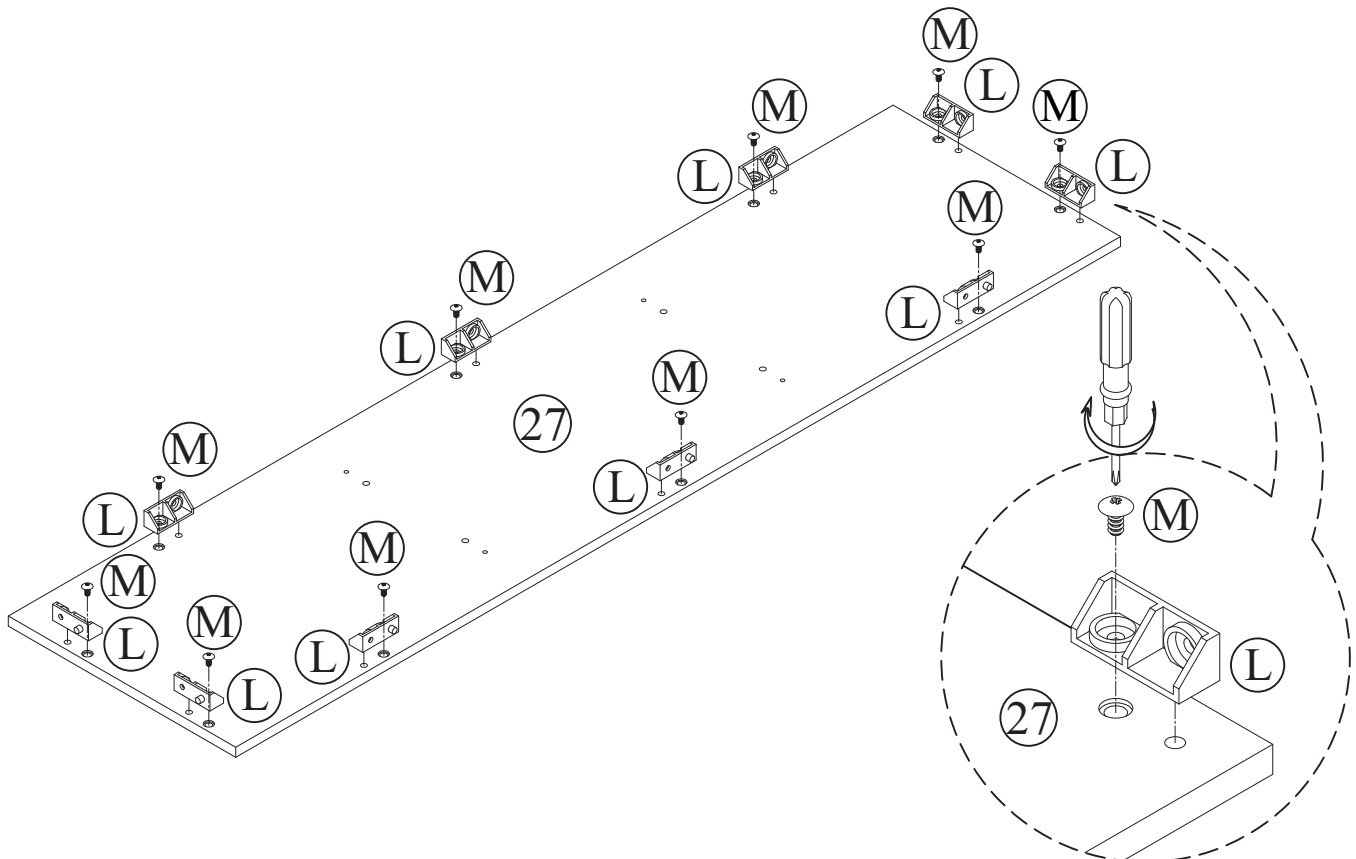
Step/Étape 31

L		4
M		4





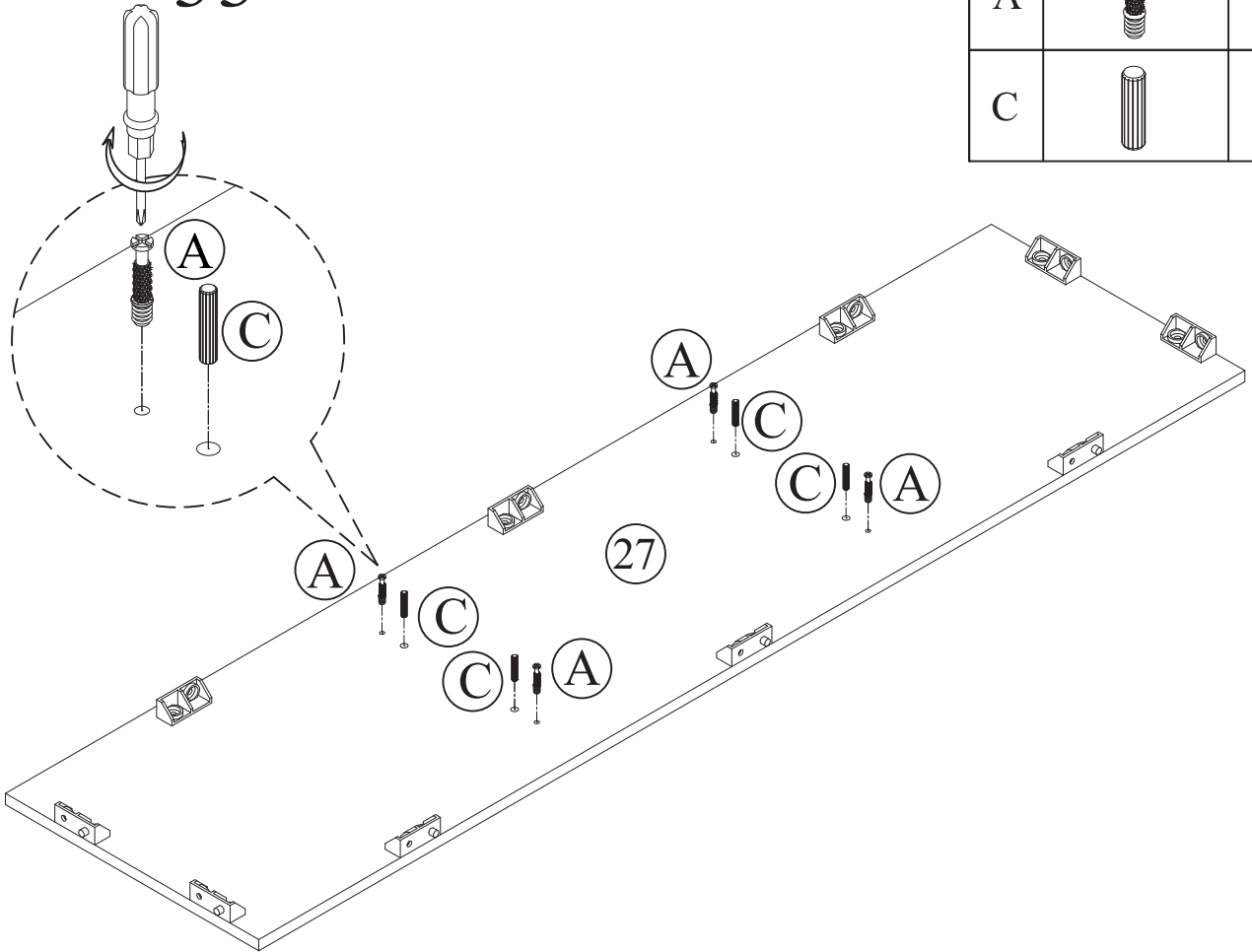
Step/Étape 32

27		1	L		10	M		10
----	---	---	---	--	----	---	---	----

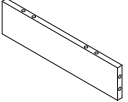



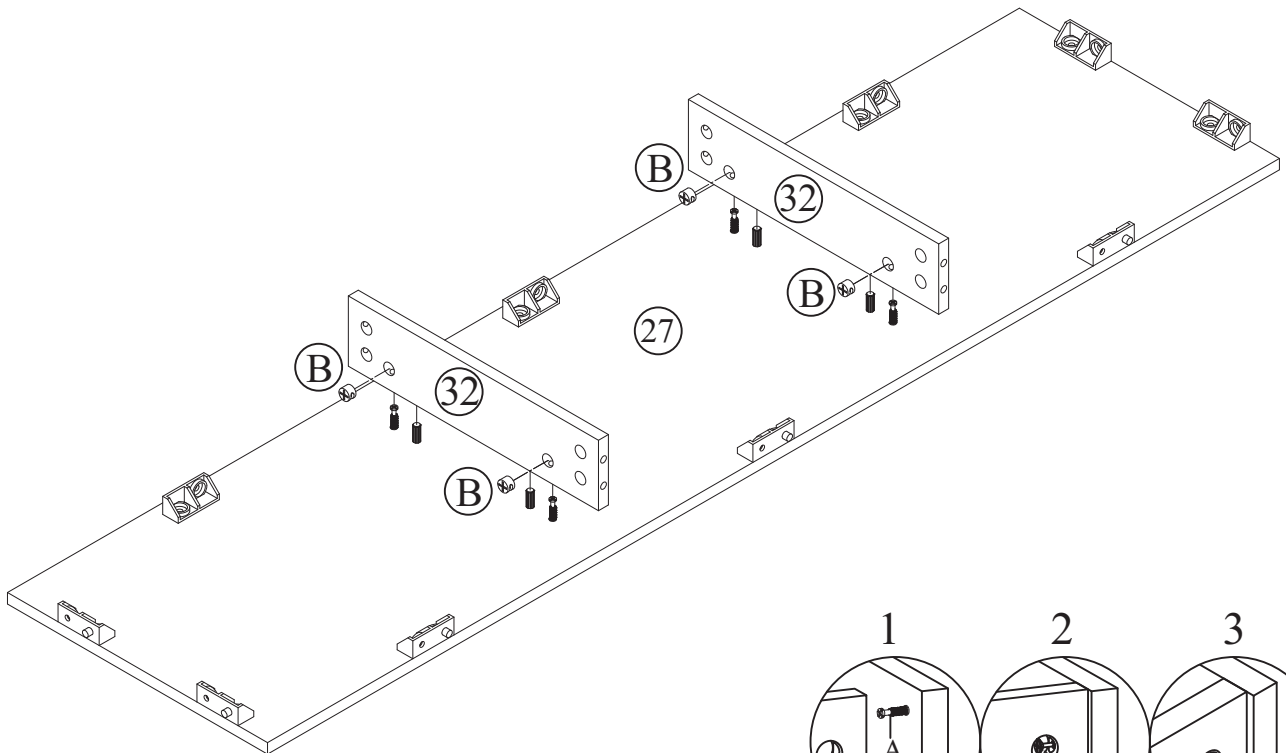
Step/Étape 33

A		4
C		4





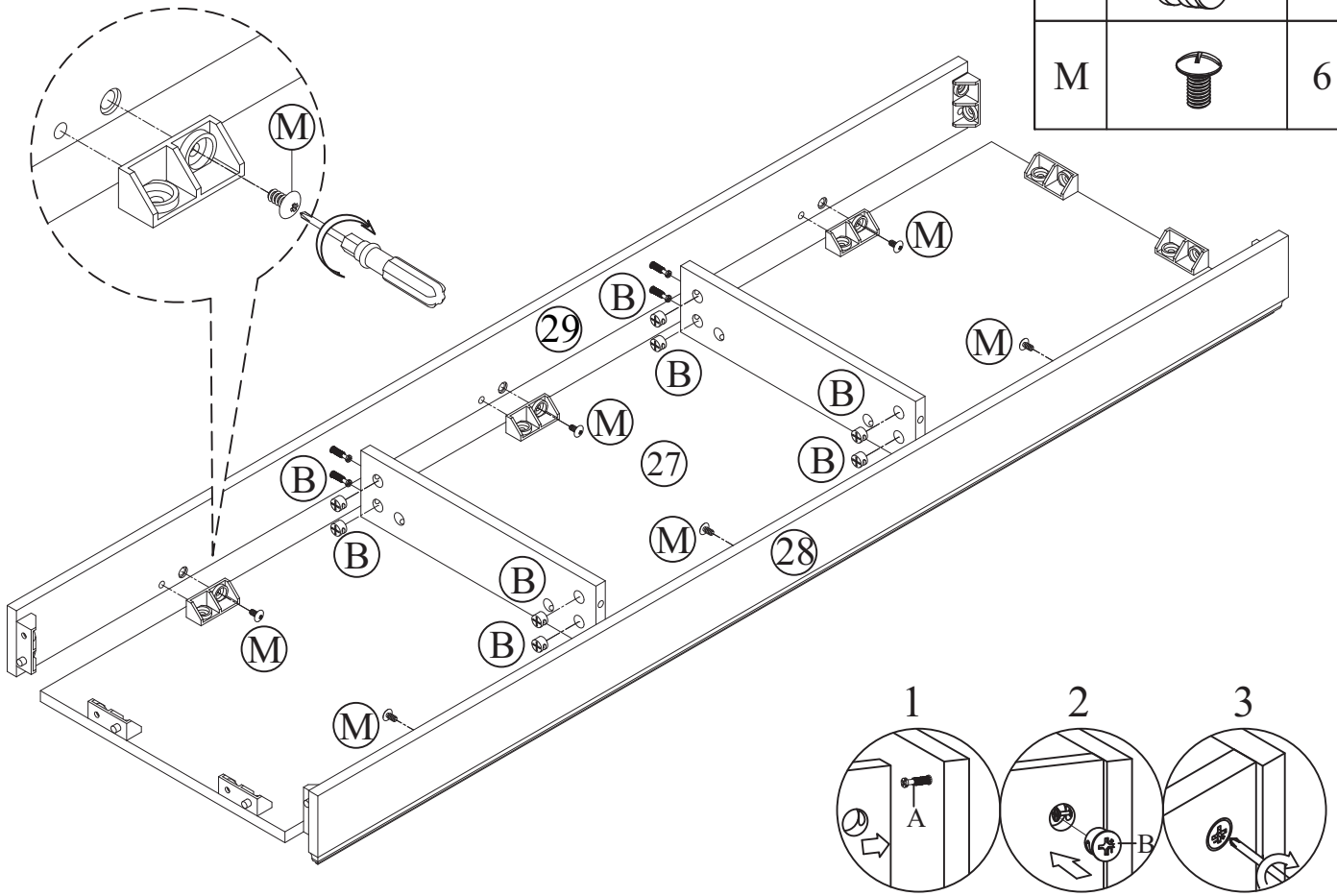
Step/Étape 34

32		2	B		4
----	--	---	---	---	---

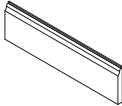
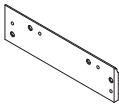



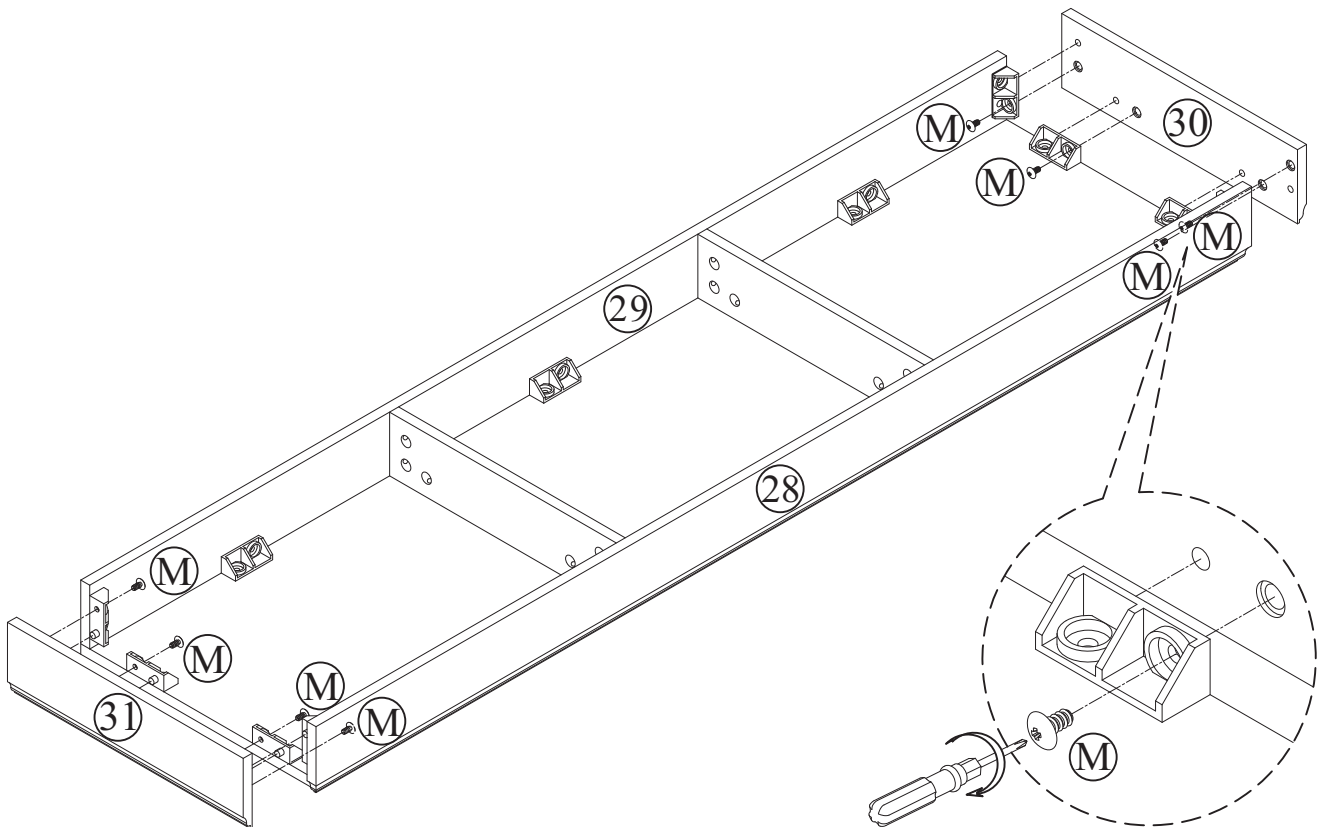
Step/Étape 35

B		8
M		6




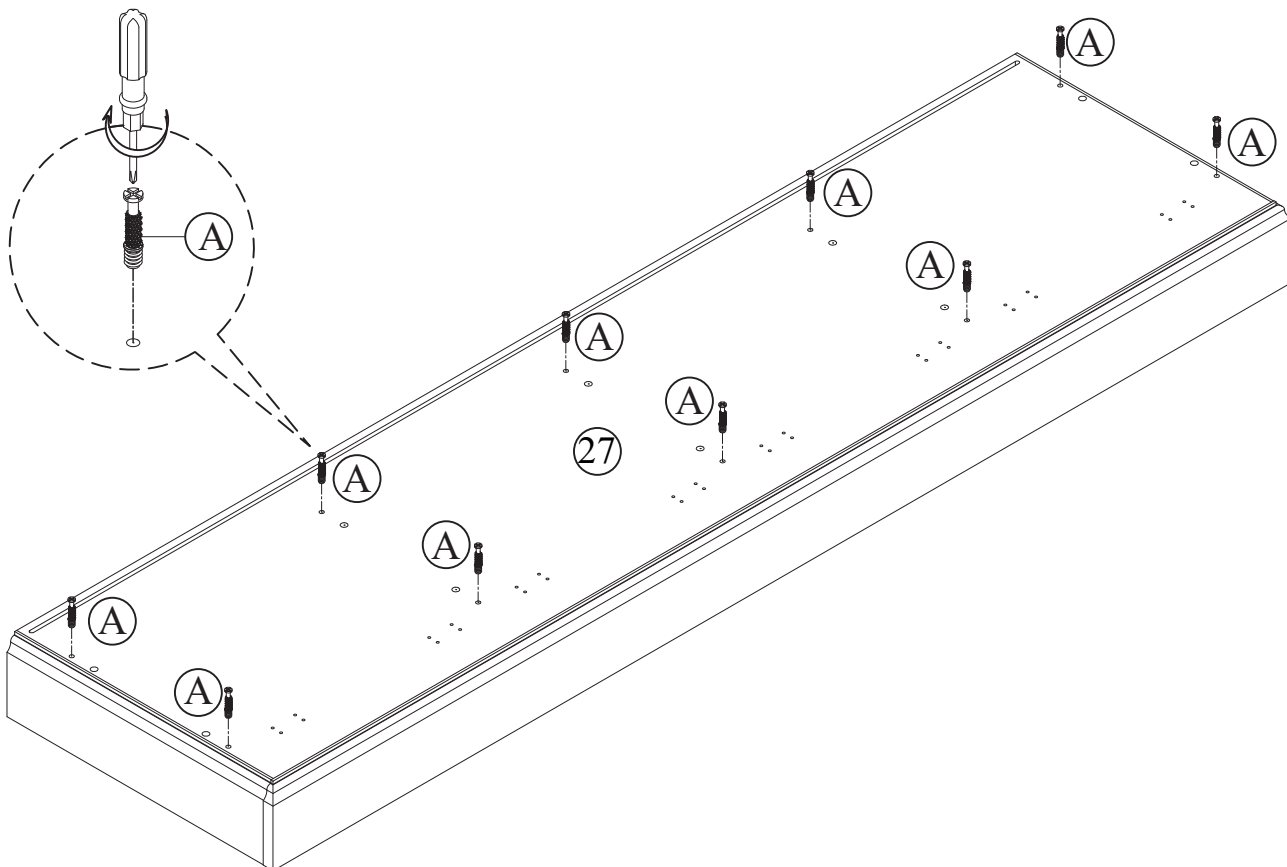
Step/Étape 36

30		1	31		1	M		8
----	---	---	----	--	---	---	---	---




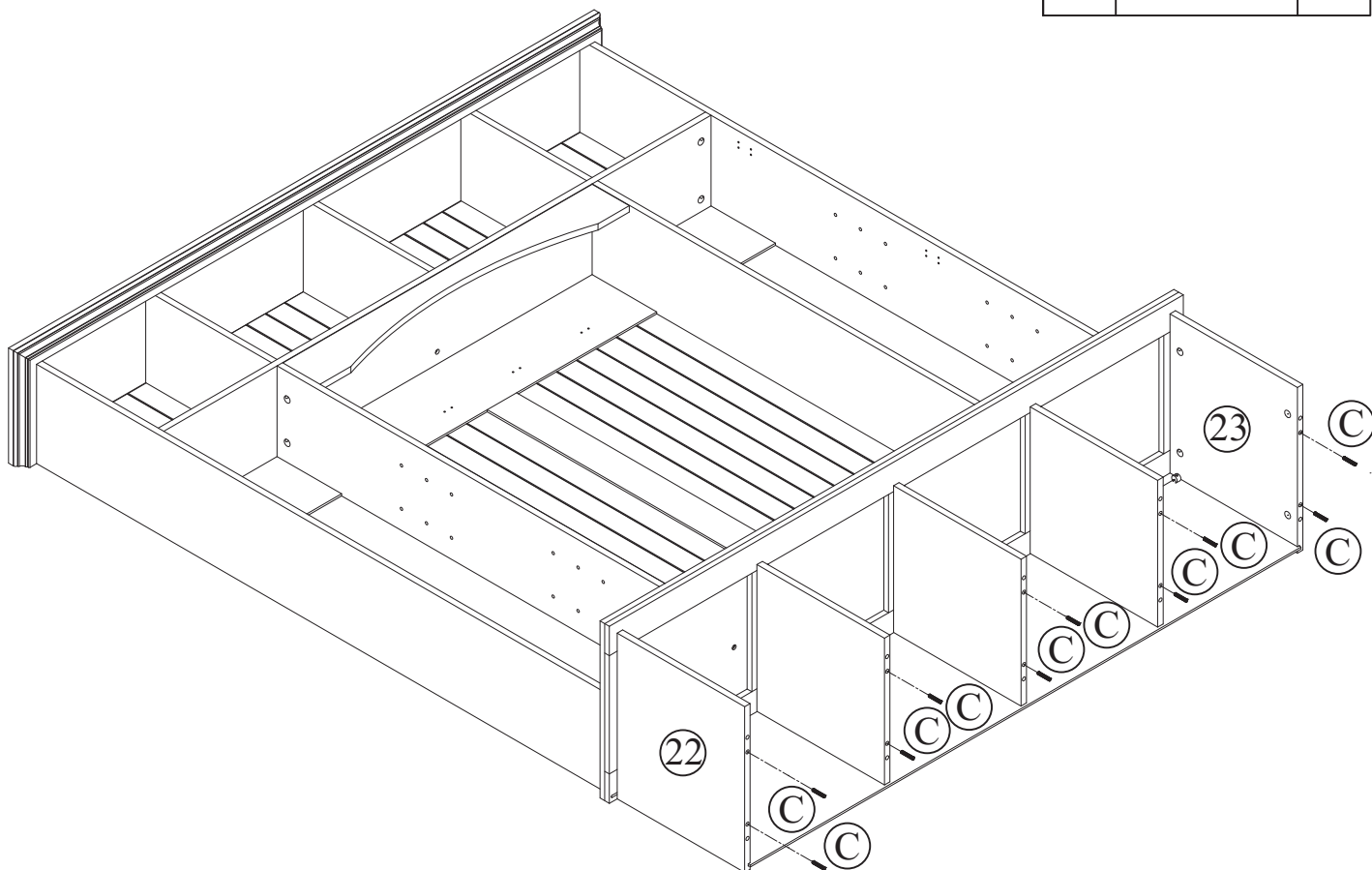
Step/Étape 37

A		10
---	--	----




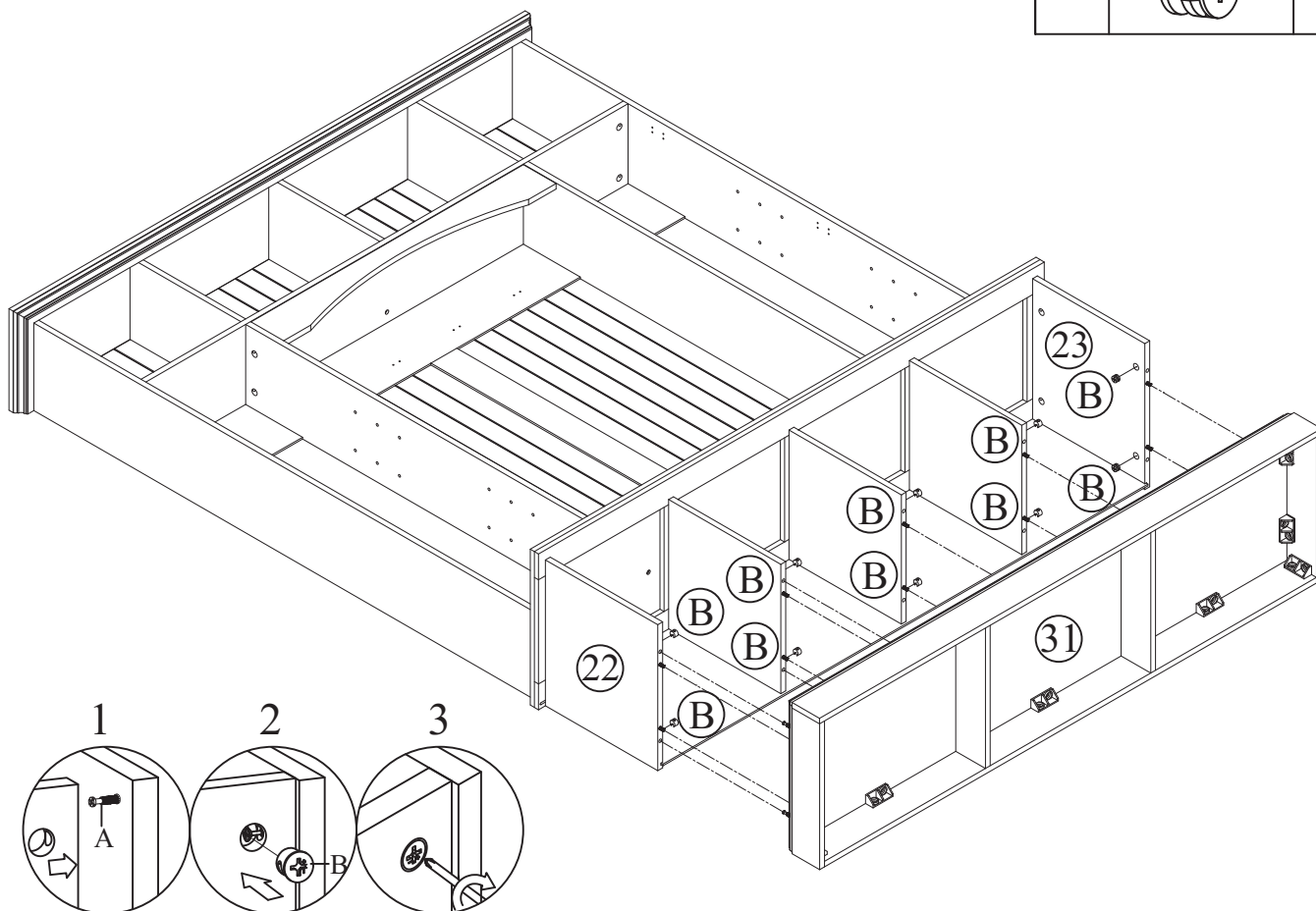
Step/Étape 38

C		10
---	---	----

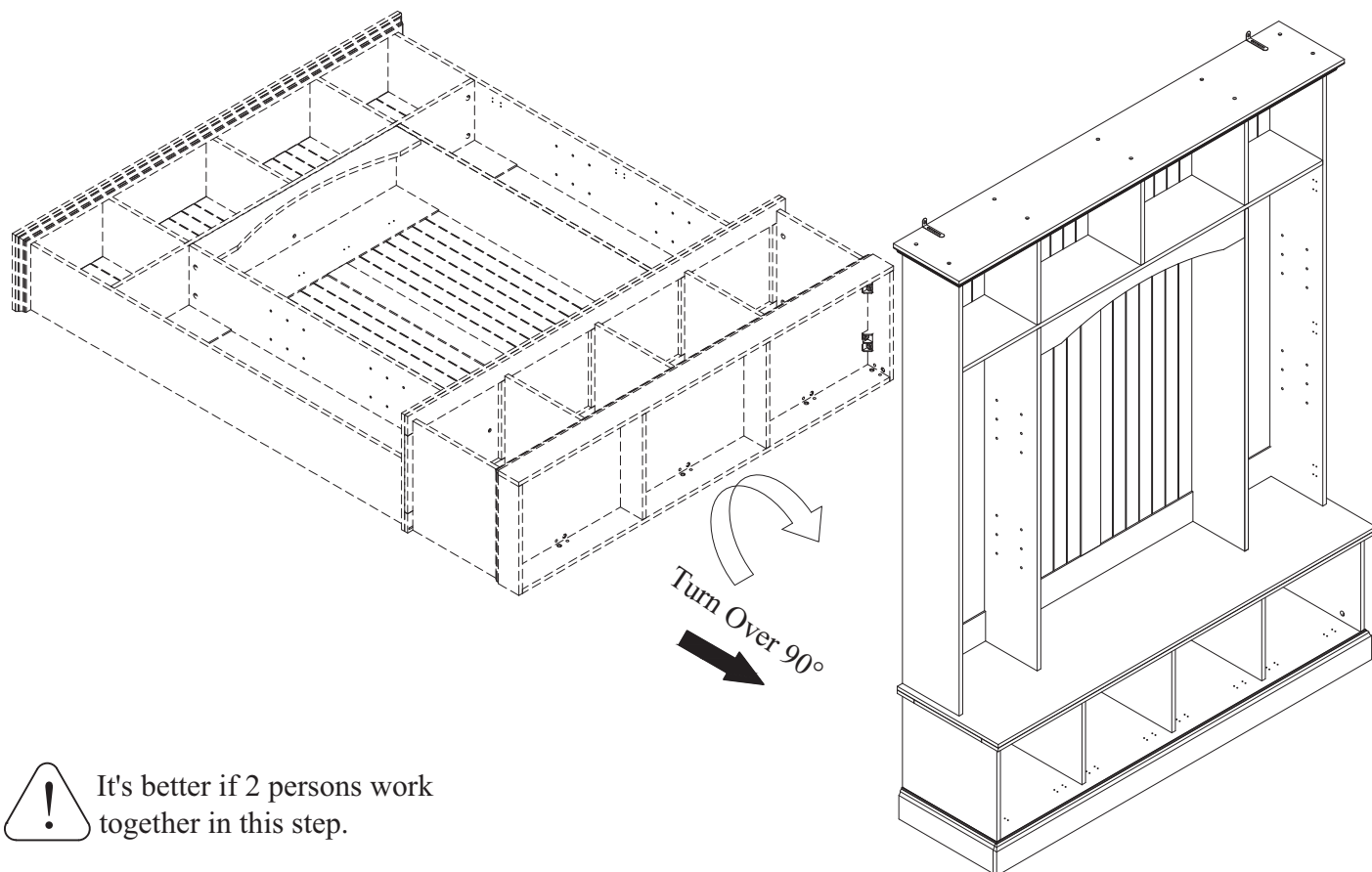


Step/Étape 39


B		10
---	--	----

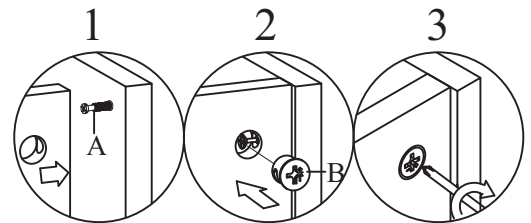
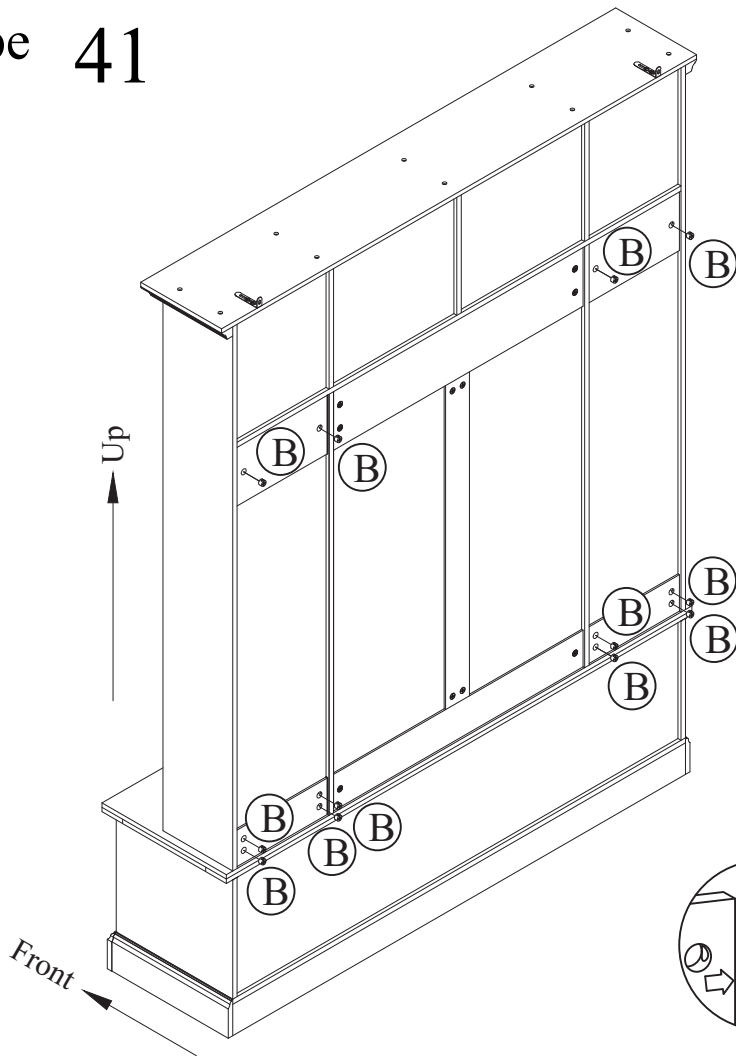


Step/Étape 40




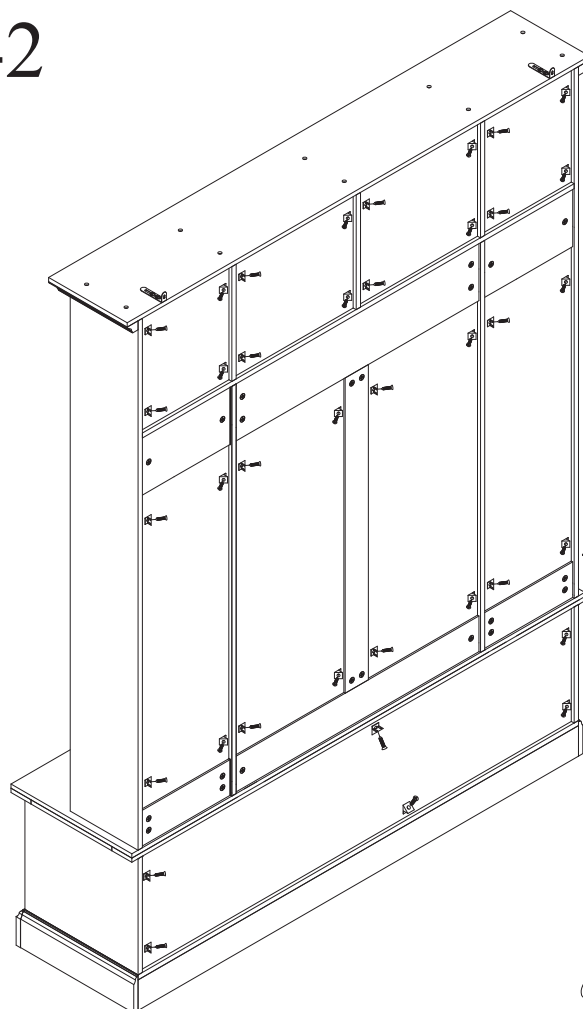
Step/Étape 41

B		12
---	--	----

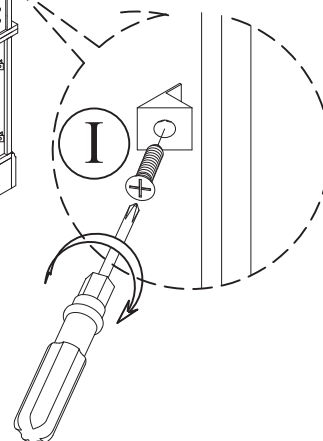


Step/Étape 42

I		38
---	---	----



(I)shaped backboard locks improve cabinet stability.

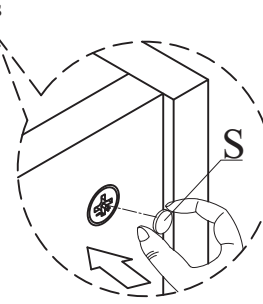
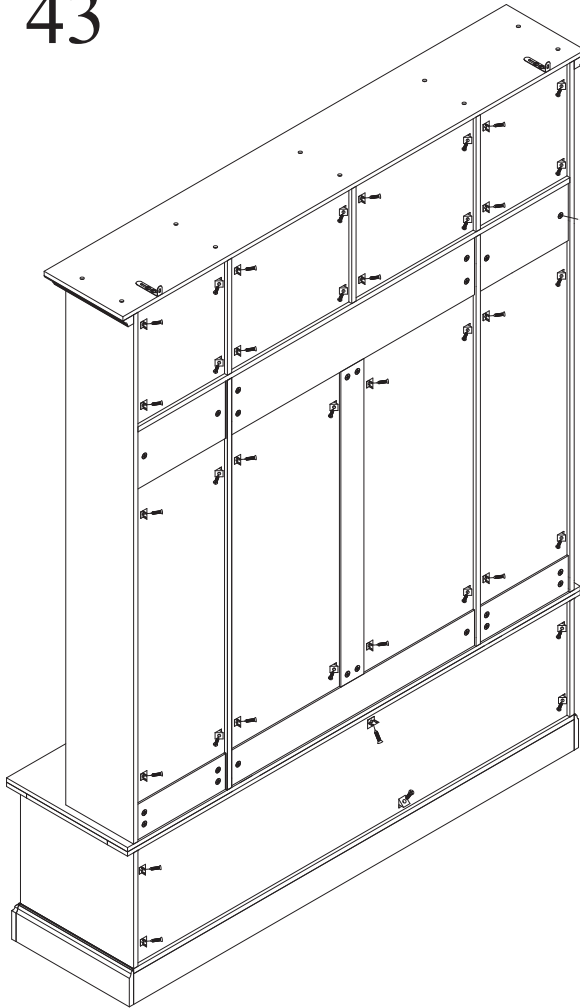


Step/Étape 43

S



64



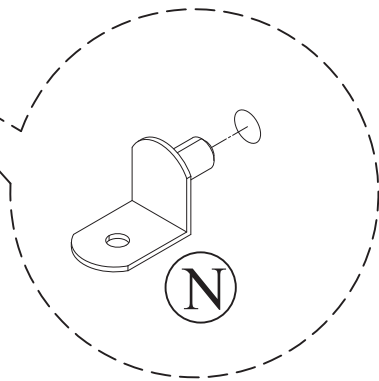
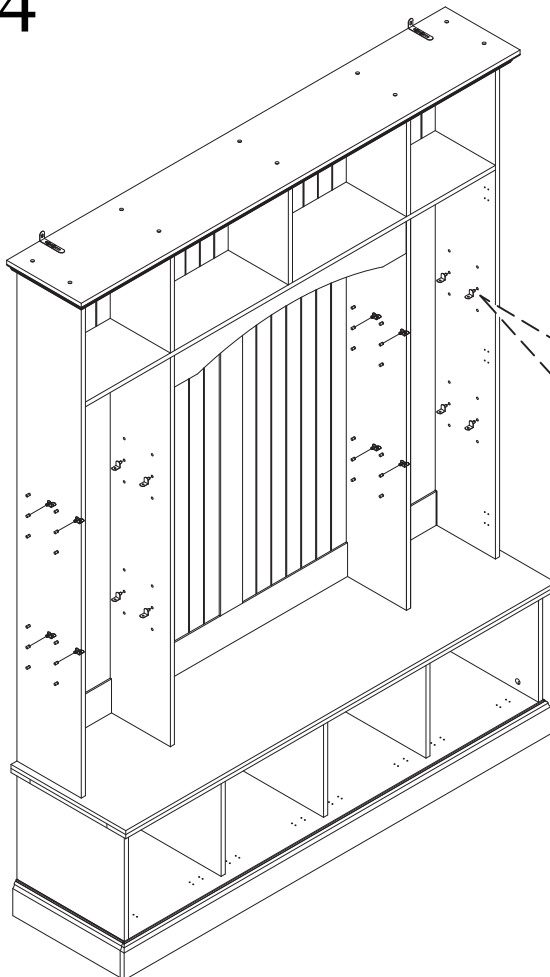
(S) can be utilized as a shielding component for the exposed holes, enhancing the overall aesthetic of the product.

Step/Étape 44

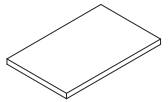
N

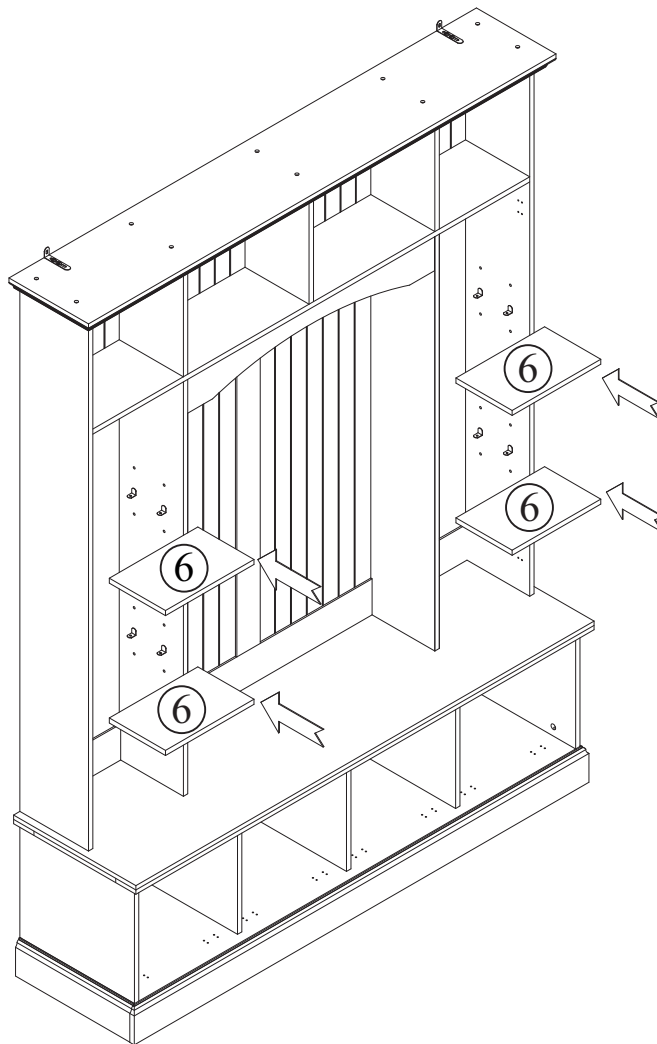


16


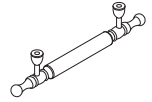
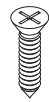

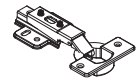


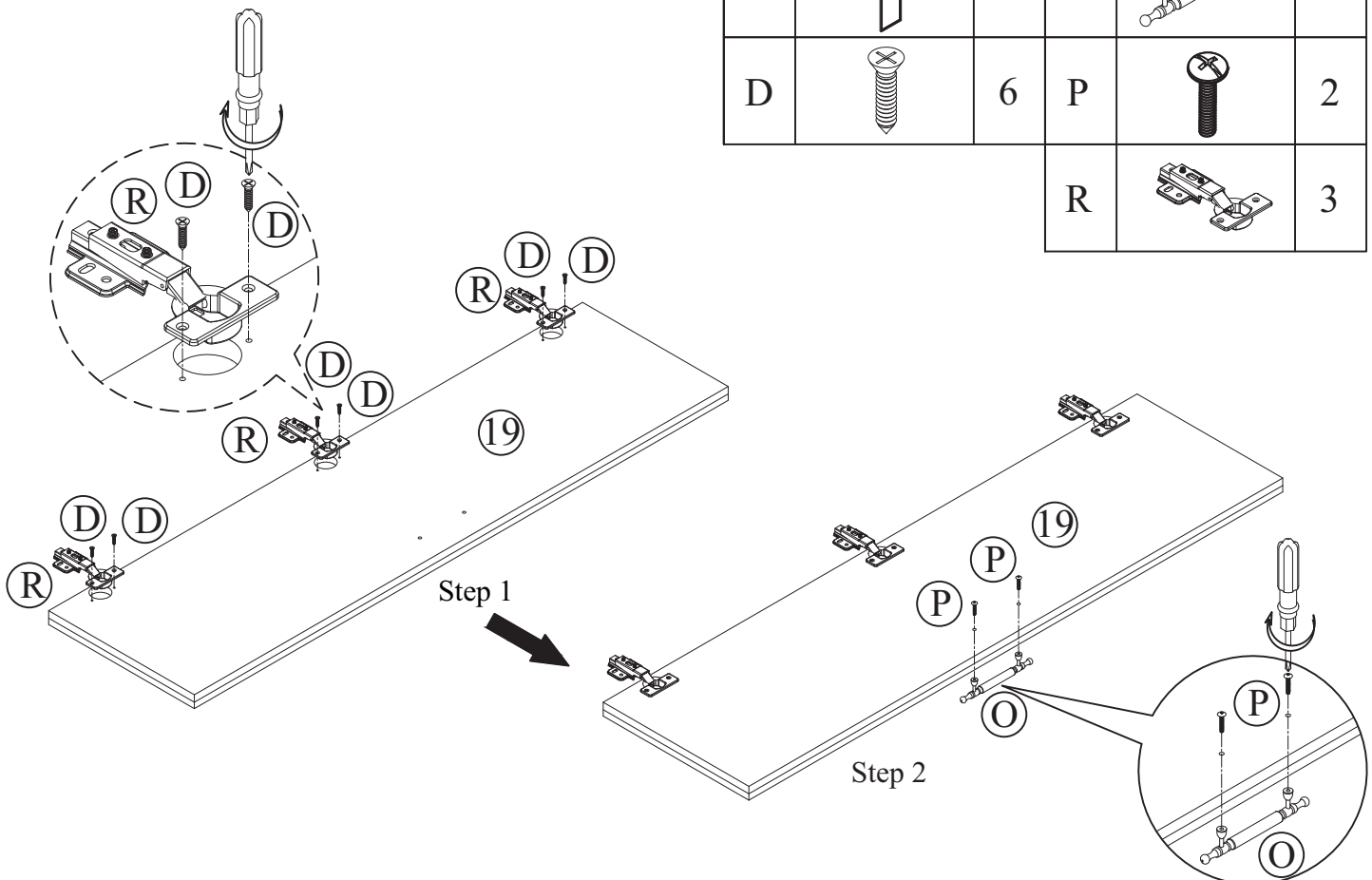
Step/Étape 45

6		4
---	--	---


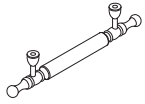
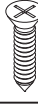

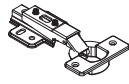


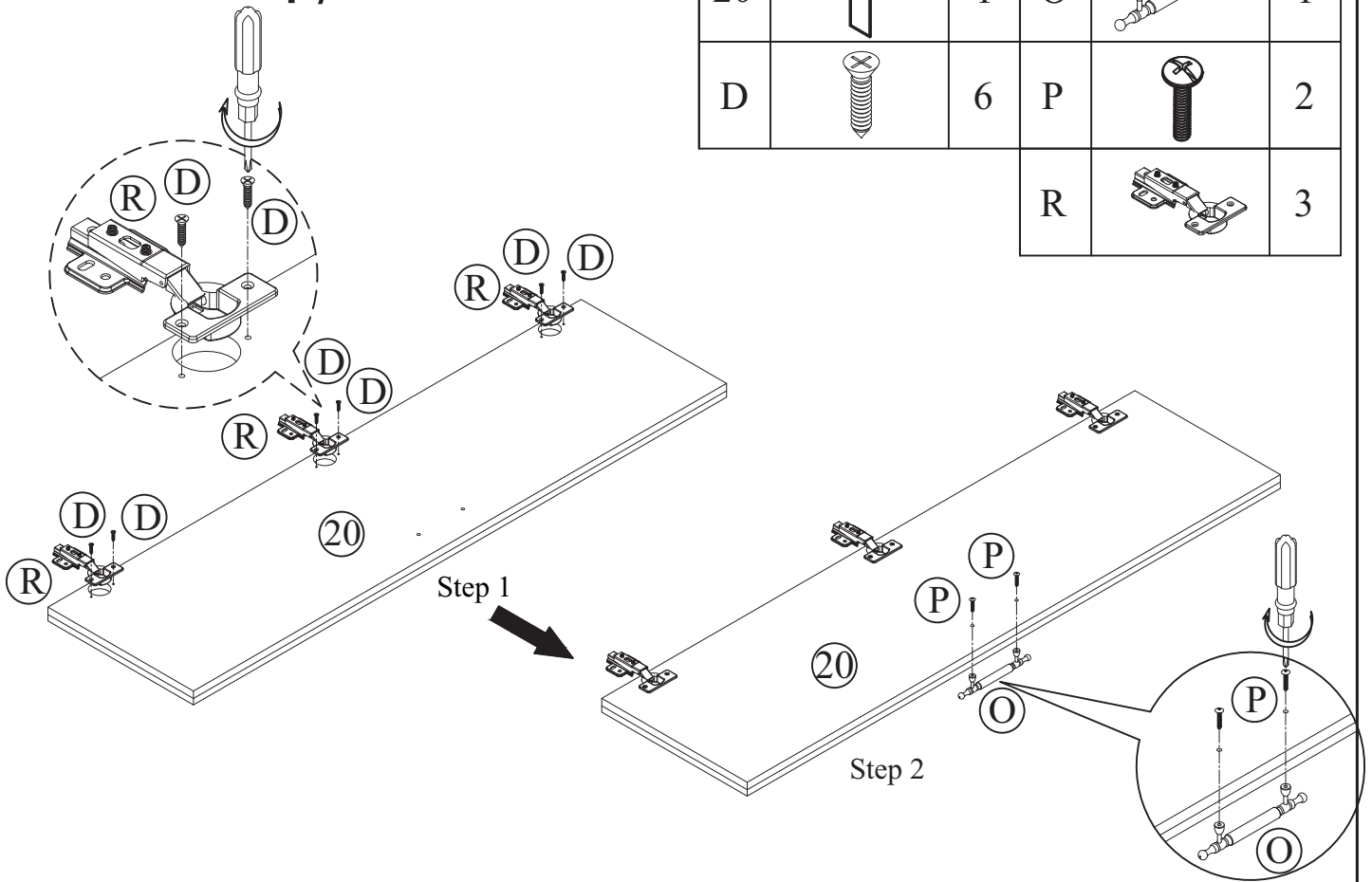
Step/Étape 46

19		1	O		1
D		6	P		2
			R		3

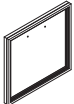
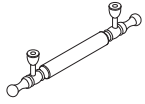


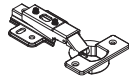


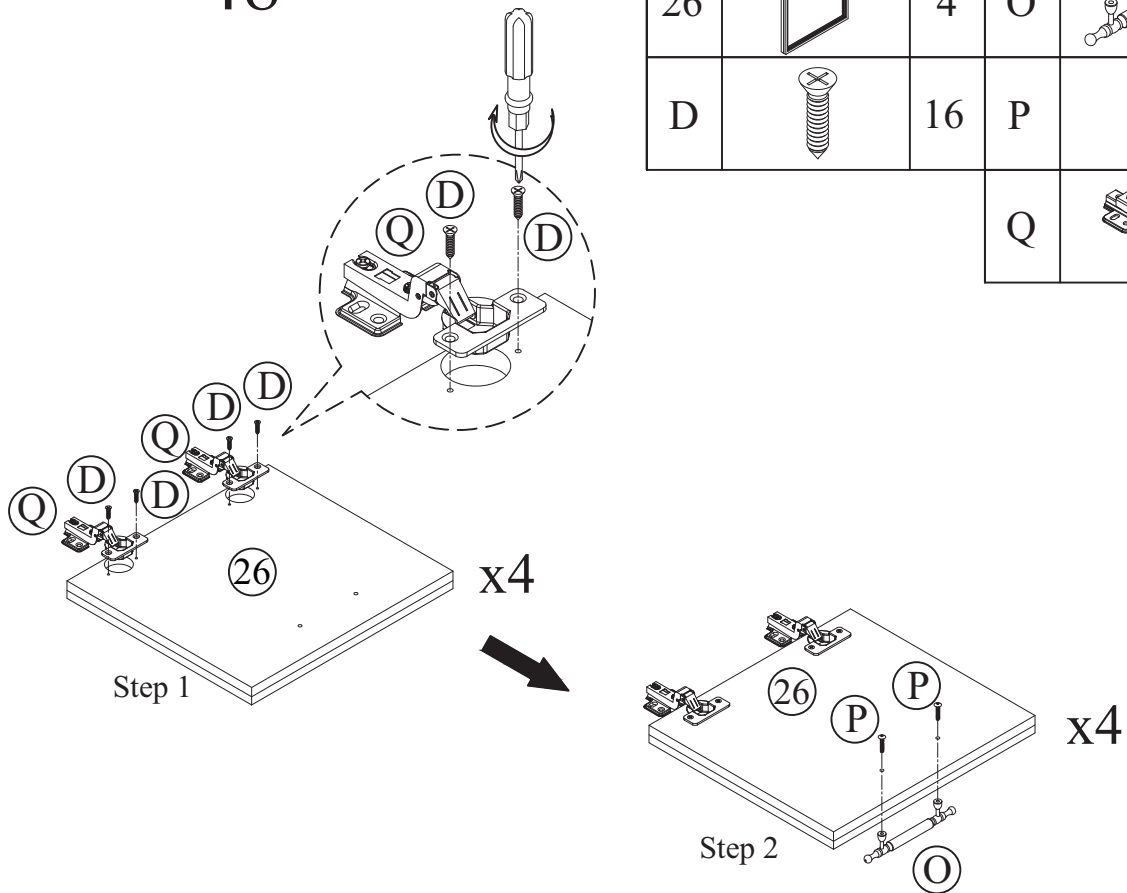
Step/Étape 47

20		1	O		1
D		6	P		2
			R		3

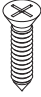


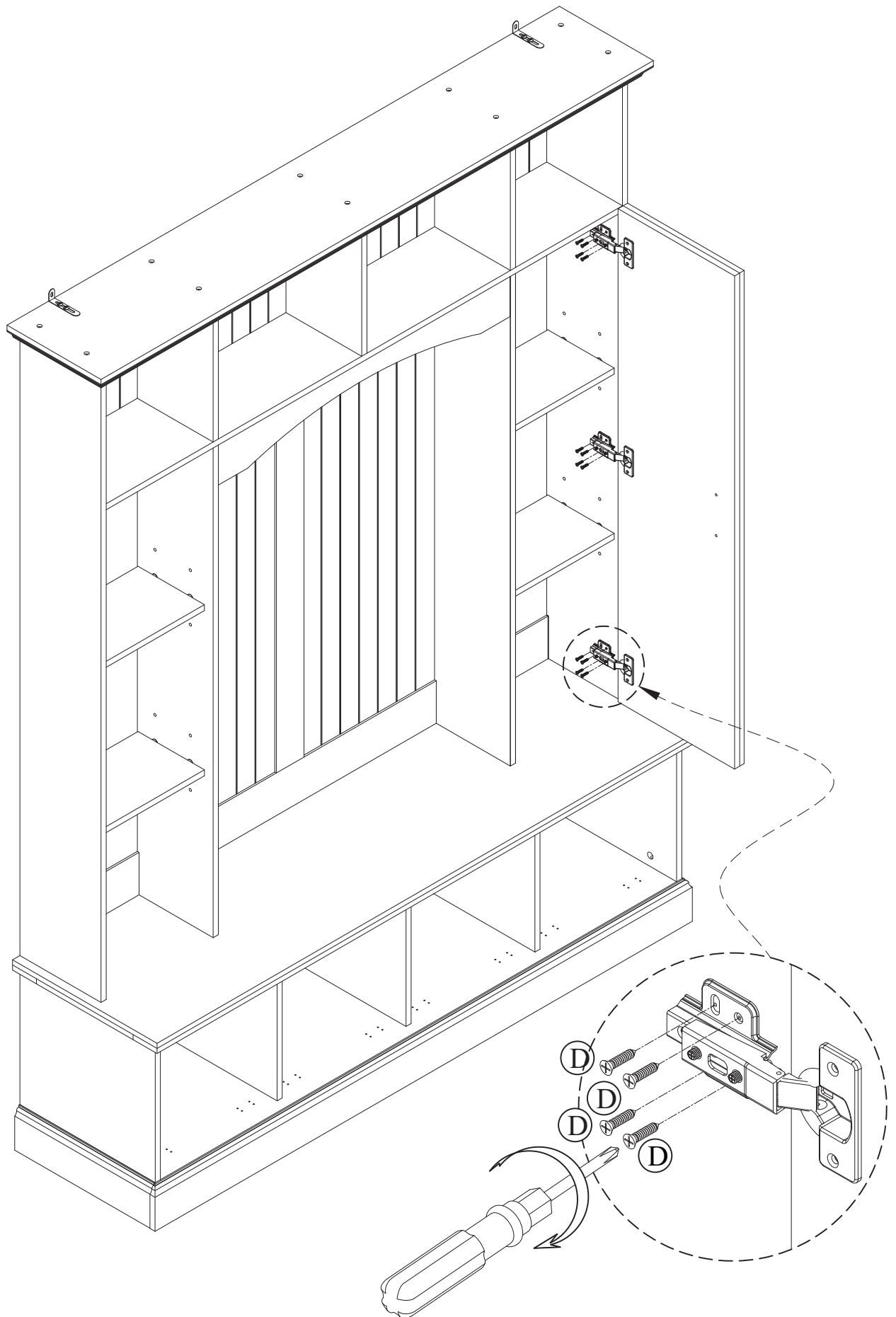
Step/Étape 48

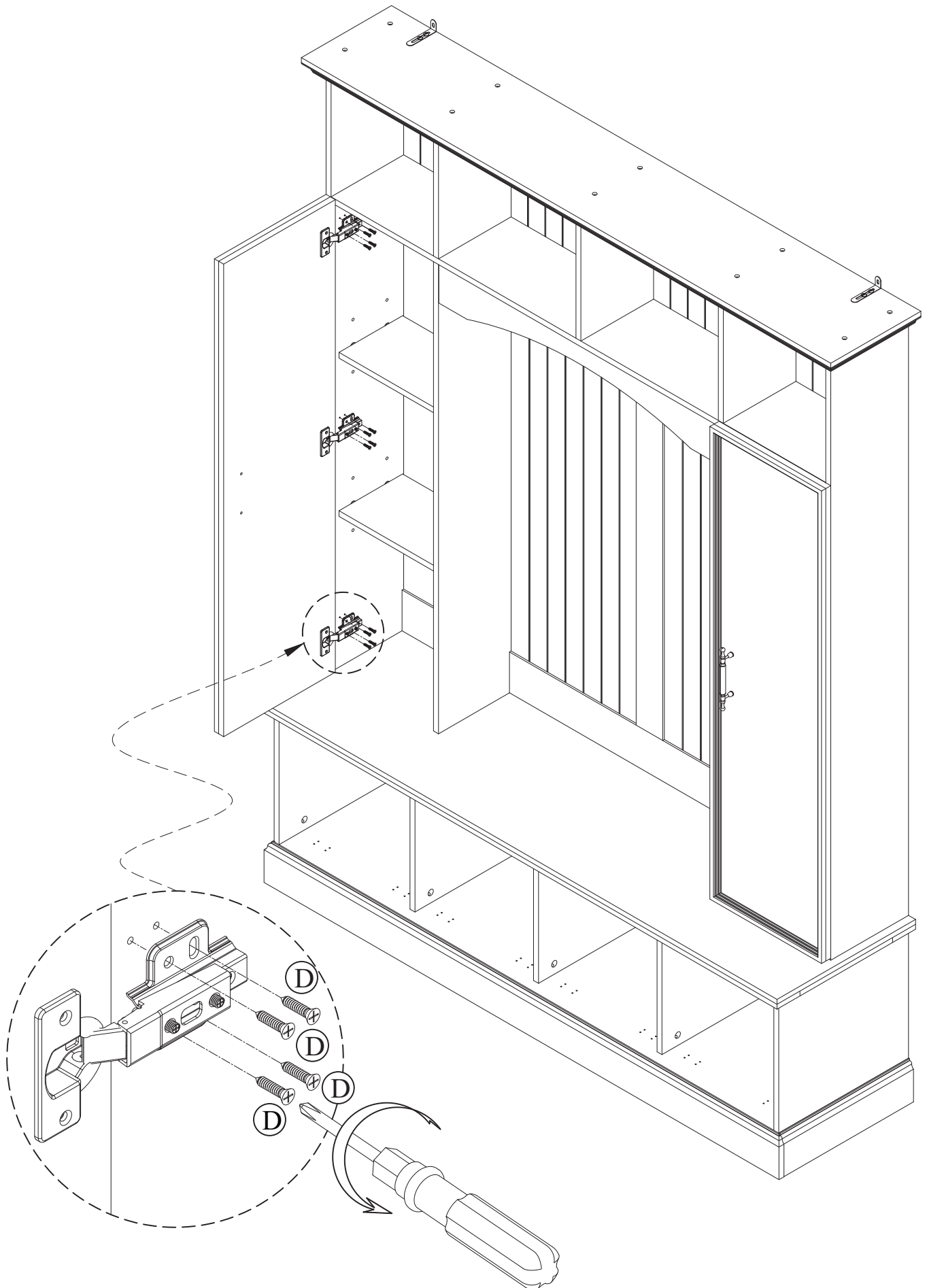
26		4	O		4
D		16	P		8
			Q		8

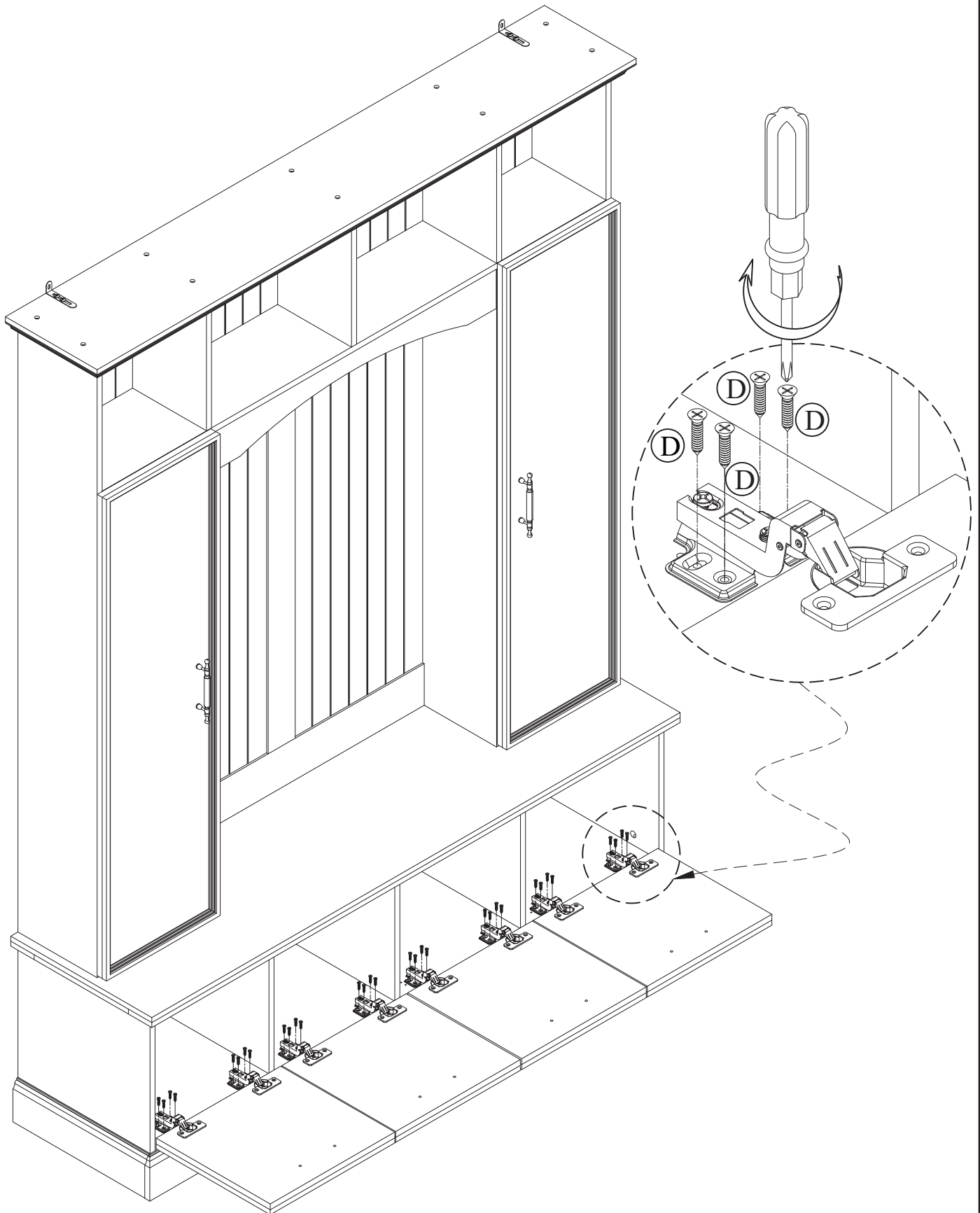


Step/Étape 49

D		12
---	--	----

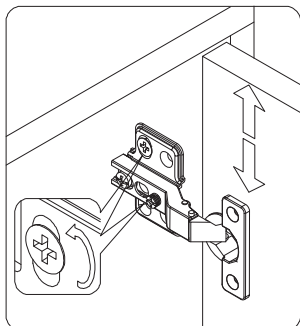




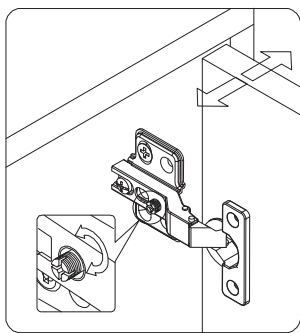
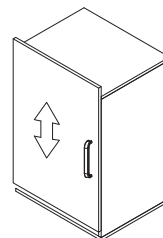


Assembly Instructions

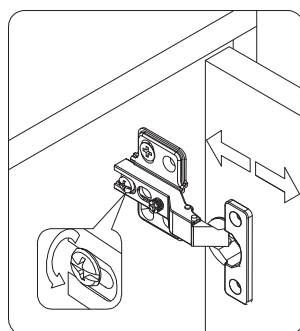
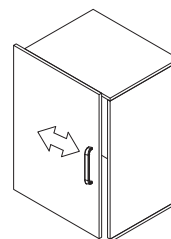
When the hinges are installed, you can refer to the pictures to adjust the screws of the doors till it's perfect.



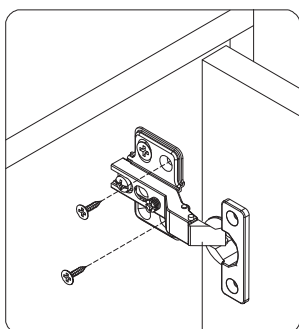
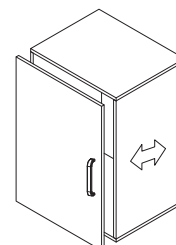
1. Adjust the screws shown in Figure 1 to adjust the door up and down.



2. Adjust the screws shown in Figure 2 to adjust the door left and right to the right position.





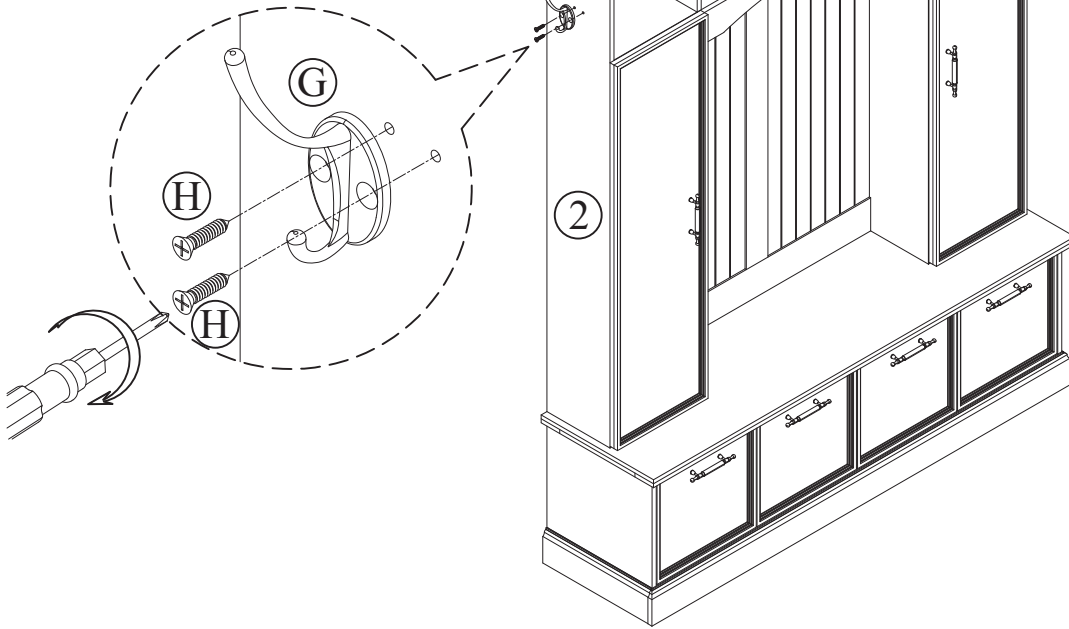
3. Adjust the screws shown in Figure 3 and pull the door back and forth so that it can be opened smoothly.





4. After the adjustment is complete, secure the remaining two screws to secure the door in place.

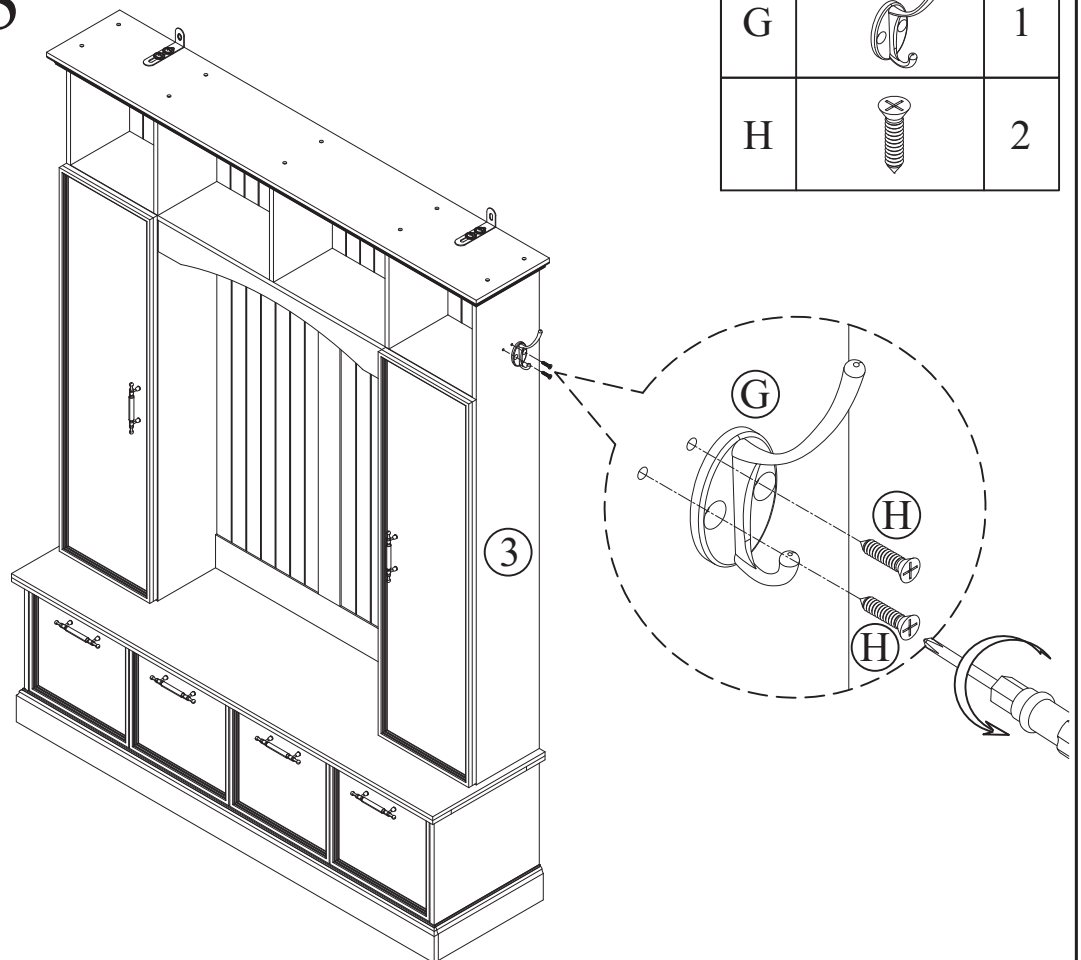
Step/Étape 52

G		1
H		2



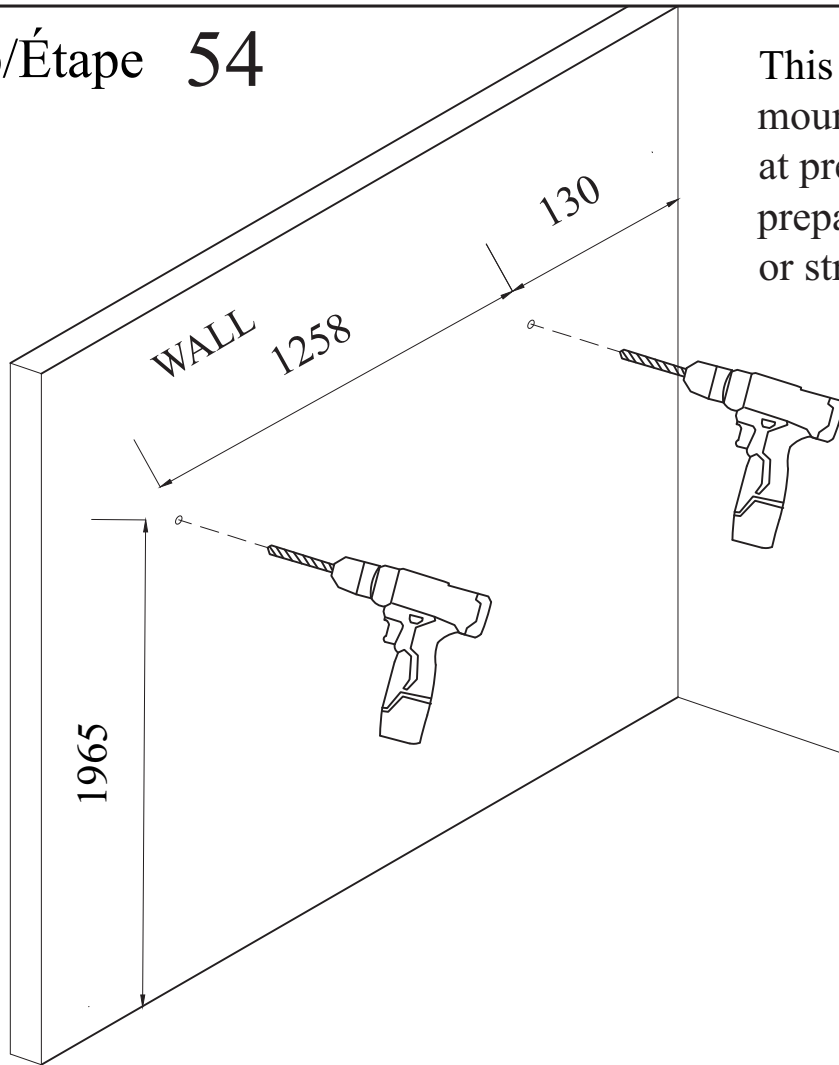
Step/Étape 53

G		1
H		2




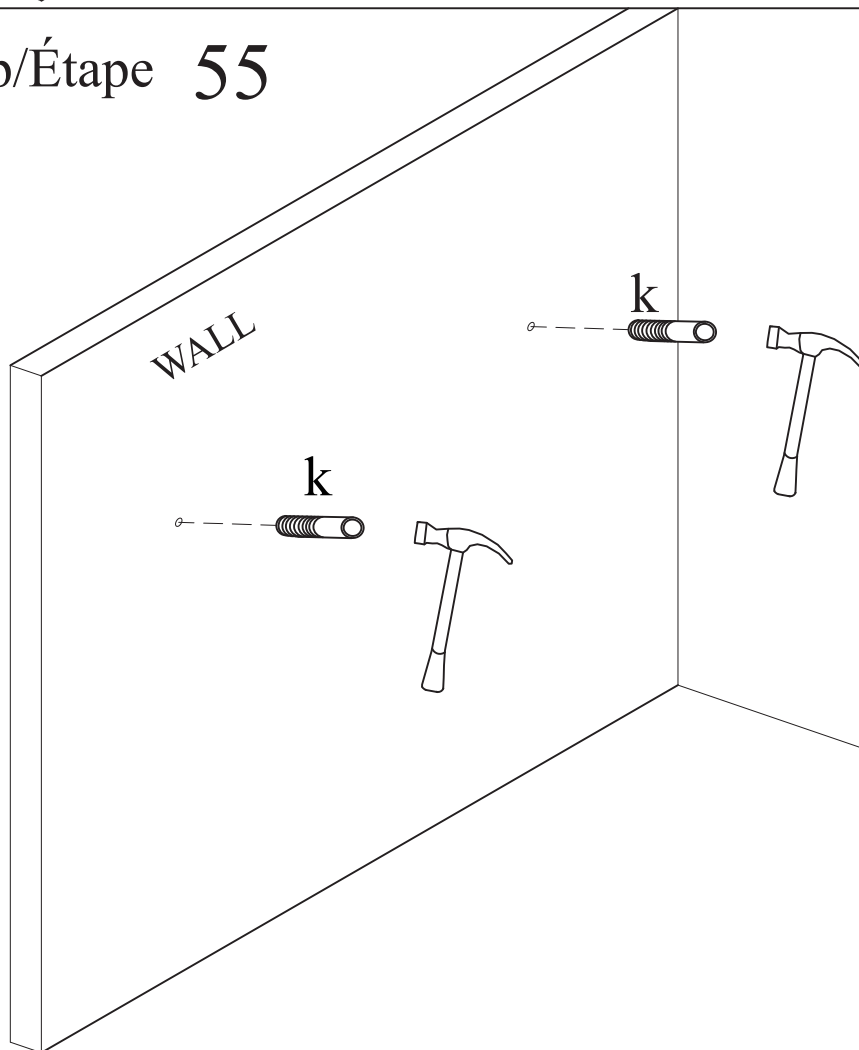
Step/Étape 54

This step involves drilling two mounting holes into the wall at precise positions, to prepare for securing a fixture or structural component.





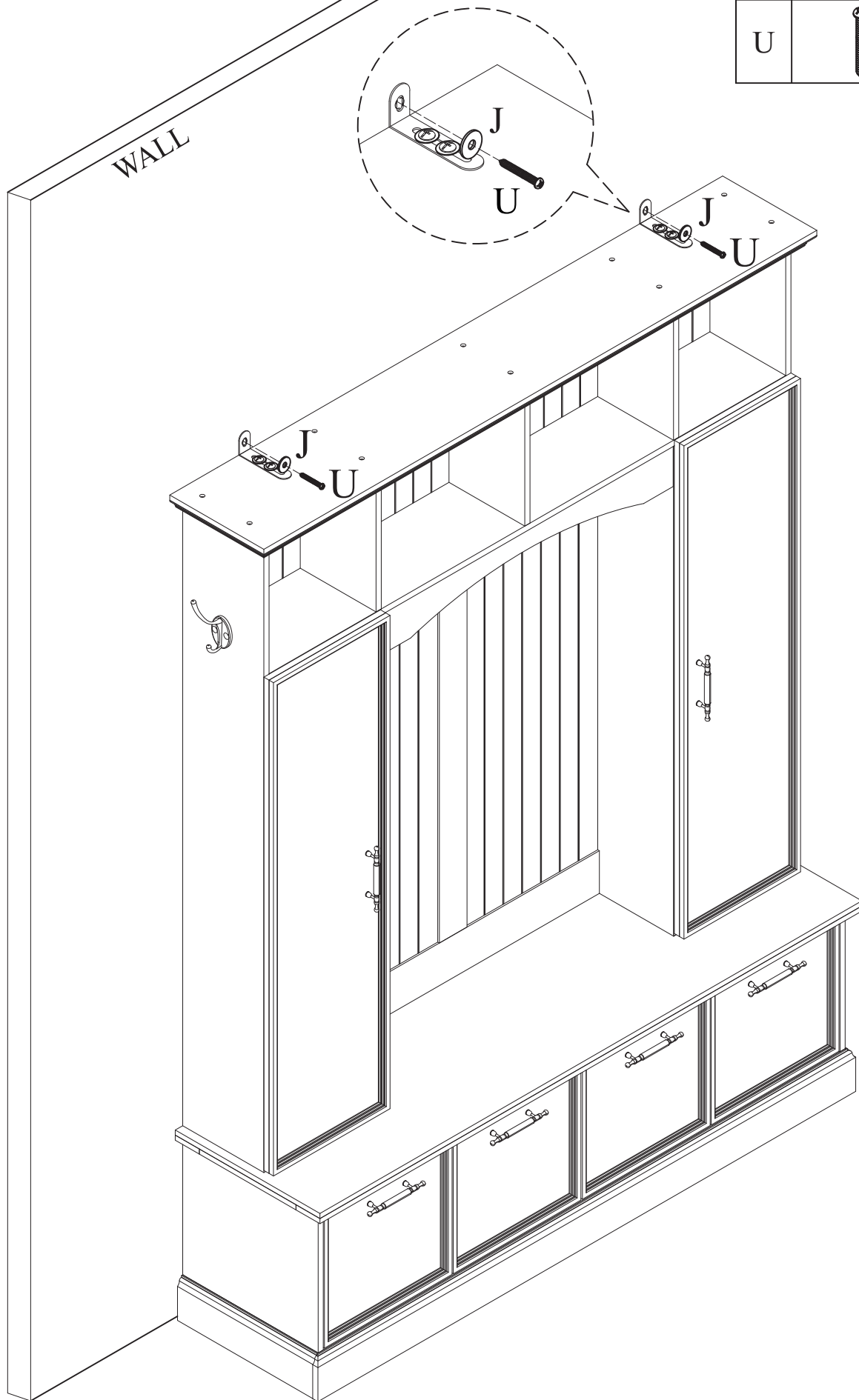
Step/Étape 55

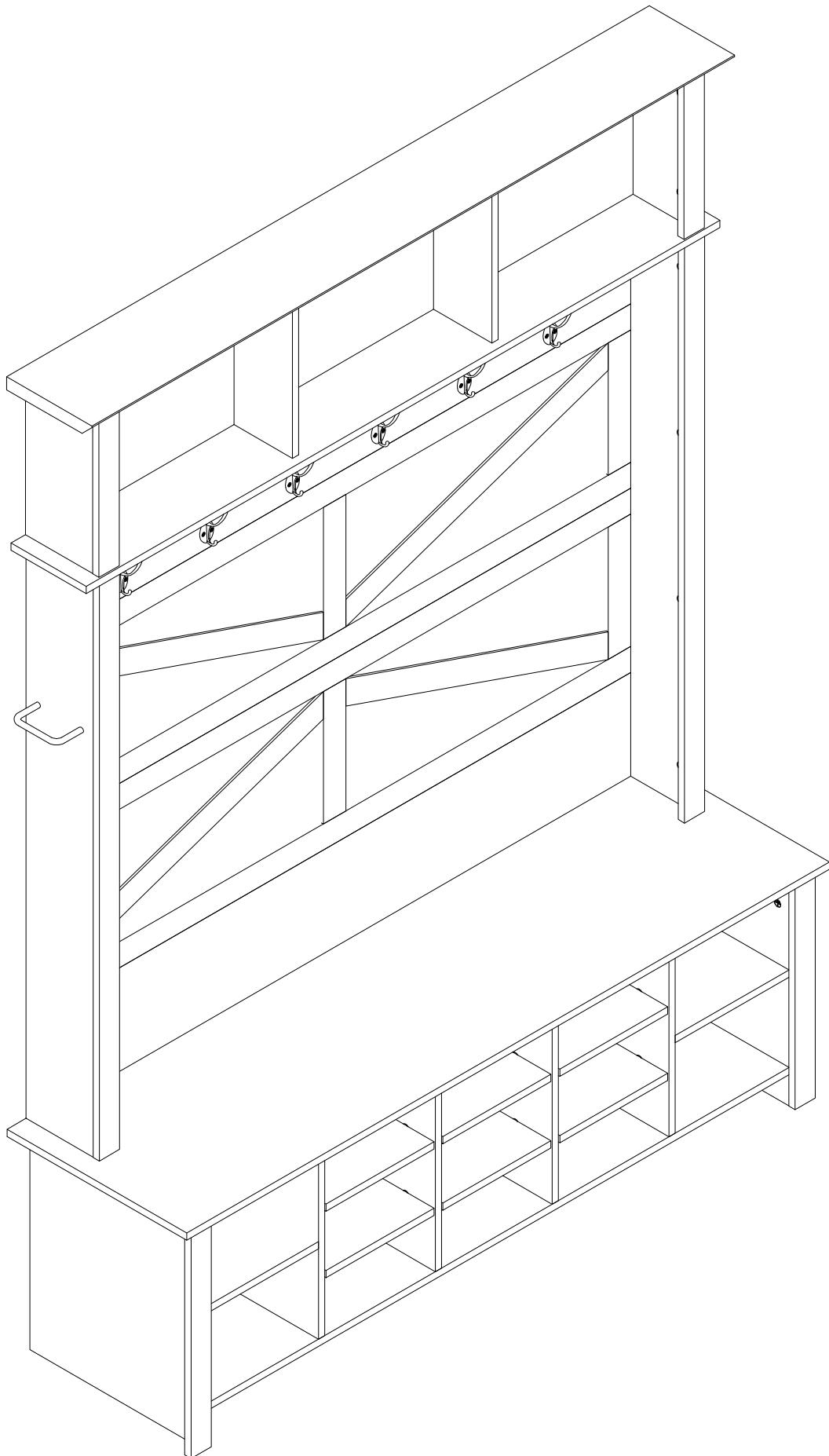
J		2
---	---	---



Step/Étape 56

J		2
U		2





Finish/Finir