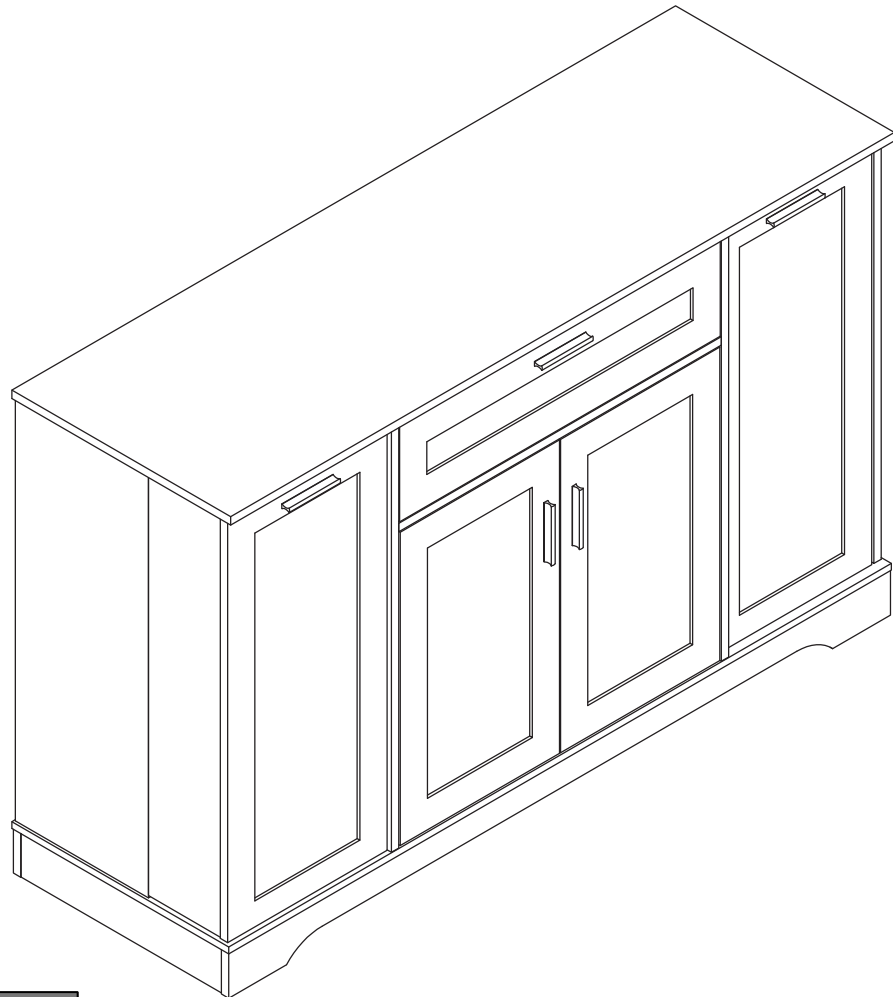


SIDEBOARD

Assembly Instructions - Please keep for future reference



Dimensions

Width-53.32inch

Depth-17.32inch

Height-33.64inch

Important – Please read these instructions fully before starting assembly



Safety and Care Advice

Important – Please read these instructions fully before starting assembly

- Check you have all the components and tools listed on the following pages.

- Remove all fittings from the plastic bags and separate them into their groups.

- Keep children and animals away from the work area, small parts could choke if swallowed.

- Make sure you have enough space to layout the parts before starting.

- During assembly do not stand or put weight on the product, this could cause damage.

- Assemble the item as close to its final position (in the same room) as possible.

- Assemble on a soft level surface to avoid damaging the unit or your floor.

- Parts of the assembly will be easier with 3 people.



•To reduce the likelihood of damaging your product please ensure that your power drill is set on a low torque setting.

Care and maintenance

- Only clean using a damp cloth and mild detergent, do not use bleach or abrasive cleaners.

- From time to time check that there are no loose screws on this unit.

- This product should not be discarded with household waste. Take to your local authority waste disposal centre.

Handy Hints

- Assemble all parts and bolts loosely during assembly, only once the product is complete should you fully tighten the bolts

- Regularly check and ensure That all bolts and fittings are tightened properly.

WARNING
In order to help prevent overturning – please follow these instructions




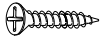
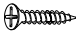
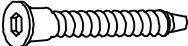
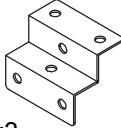
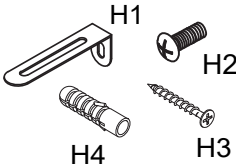
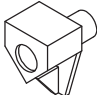
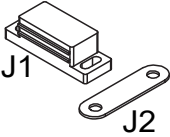
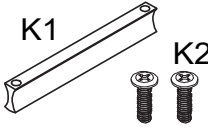
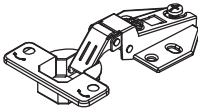


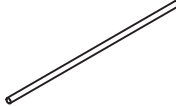

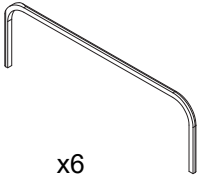
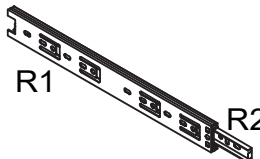
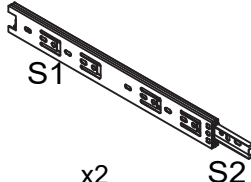

To help prevent product toppling over please follow the below steps:-

- Use the anti tip stap or wall fixing method provided (if applicable)
- Do not allow children to climb or hang on the furniture
- Do not open more than one drawer at a time
- Do not place heavy items in the top drawers
- Do not place heavy items on top of the furniture, unless the furniture has been designed for this purpose

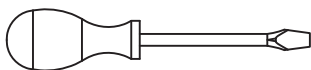
Components - Fittings

Please check you have all the panels listed below

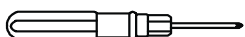
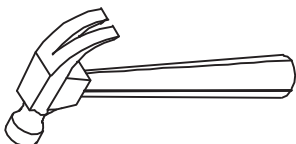
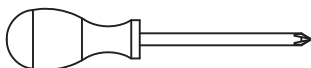
Note: The quantities below are the correct amount to complete the assembly. In some cases more fittings may be supplied than are required.

<p>A</p>  <p>15*12mm Cam lock x76+2</p>	<p>B</p>  <p>15*9.5mm Cam lock x76+2</p>	<p>C</p>  <p>6x40mm Dowel x 32</p>	<p>D</p>  <p>3x16mm Screw x 18</p>
<p>E</p>  <p>3x12mm Screw x 80+2</p>	<p>F</p>  <p>7x40mm Screw x 18</p>	<p>G</p>  <p>x3</p>	<p>H</p>  <p>H1 H2 H3 H4</p>
<p>I</p>  <p>x12</p>	<p>J</p>  <p>J1 J2 x1</p>	<p>K</p>  <p>K1 K2 x5</p>	<p>L</p>  <p>x4</p>
<p>M</p>  <p>x1</p>	<p>N</p>  <p>3x33mm Screw x 6</p>	<p>O</p>  <p>x3</p>	<p>P</p>  <p>x14</p>
<p>Q</p>  <p>x6</p>	<p>R</p>  <p>R1 R2 x4</p>	<p>S</p>  <p>S1 S2 x2</p>	<p>X</p>  <p>x1</p>

Tools required Not Included



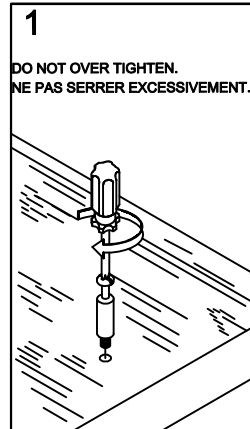
Phillips screwdriver
(medium & large)



Using Camlocks

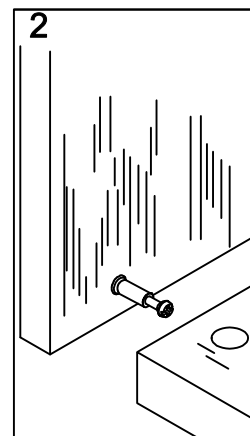
Step 1

Connect the male camlock as directed in the assembly instructions using a screwdriver.



Step 2

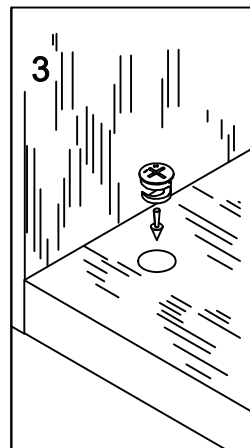
Push the male camlock into the entry hole.



Step 3

Insert the female camlock as shown in the instruction.

Note: ensure that the arrow on the top of the camlock points towards the entry hole for the male camlock.

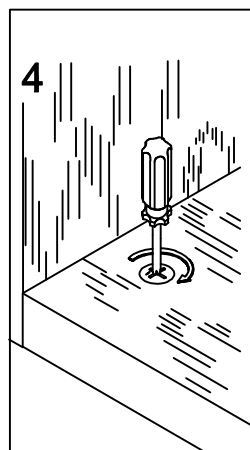


Step 4

Turn the female camlock clockwise with a screwdriver.

You should feel a click when the camlock is locked in place.

The joint is now secure.

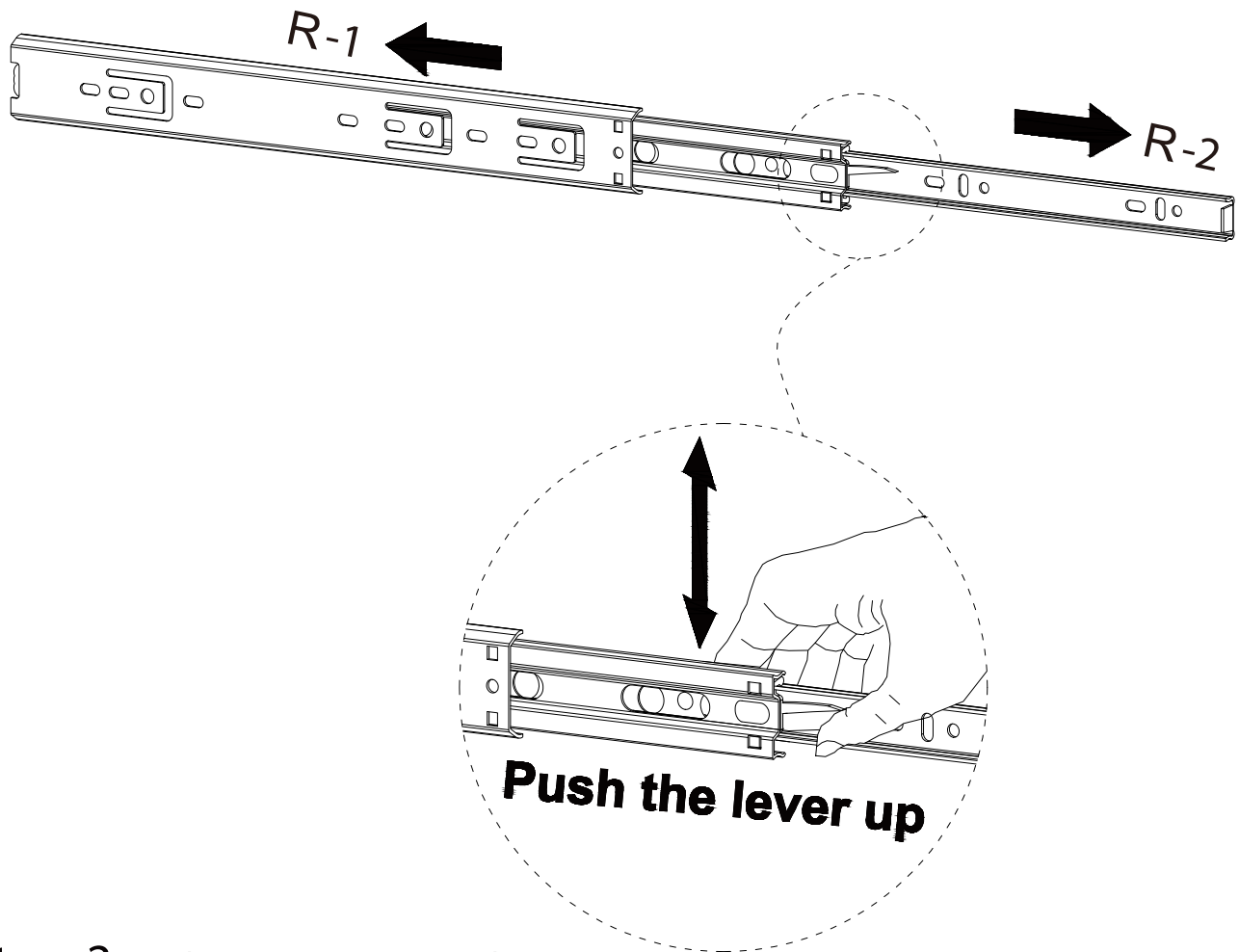


SLIDE RAIL

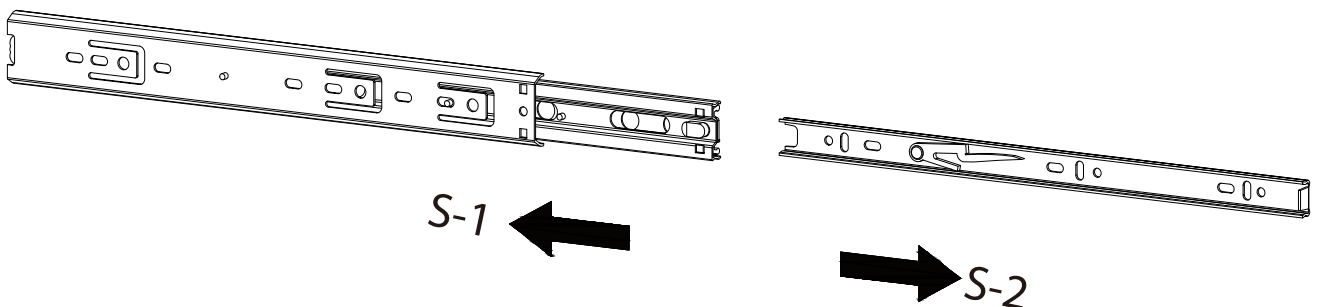
Please split component "Minto "M1" and "K-2" before assembling the slide and then proceed to the next step of assembly

Step 1

Pull apart component "M to each side, and then gently push up the lever of component "M2"



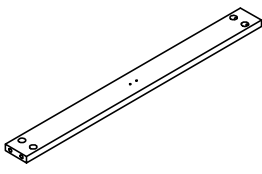
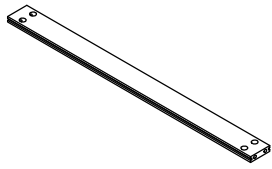
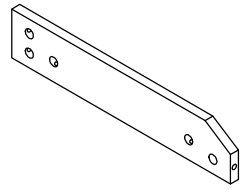
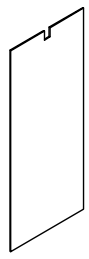
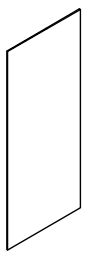

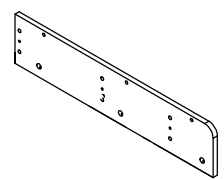
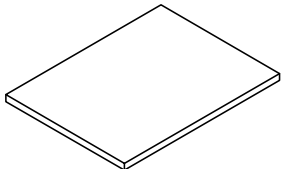
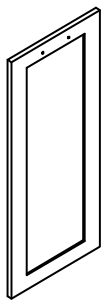
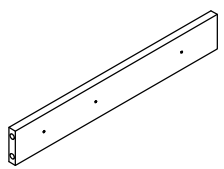
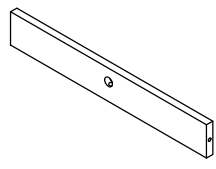
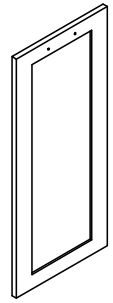
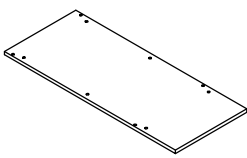
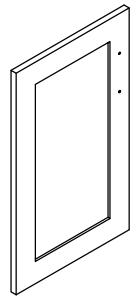
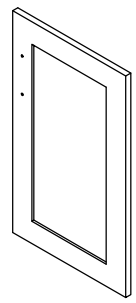
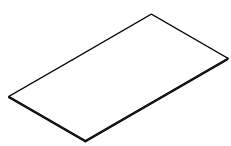
Step 2 Split component "N1" and "N2"



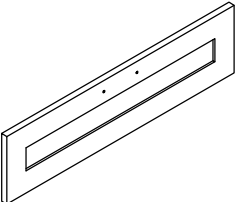
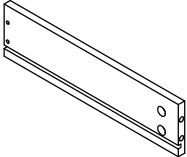
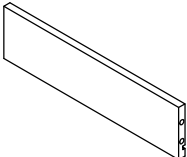
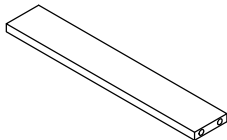
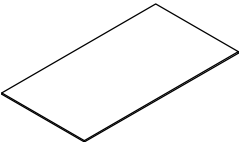
Components - Parts

Please check you have all the panels listed below.

BOX A

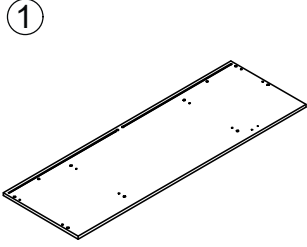
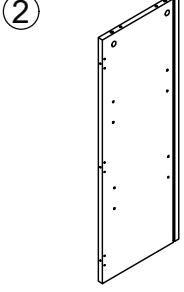
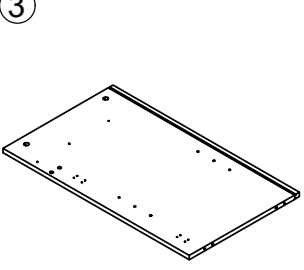
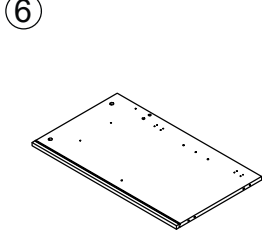
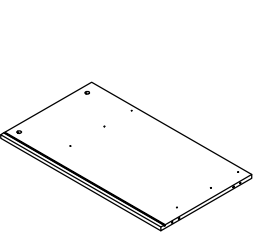
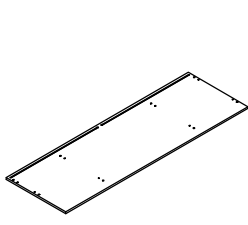
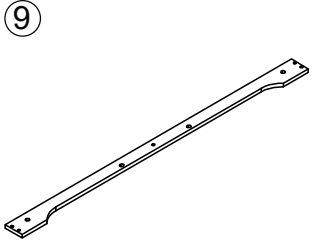
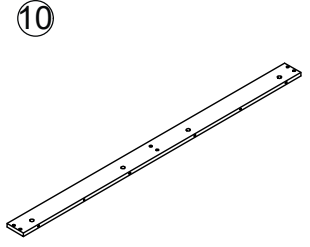
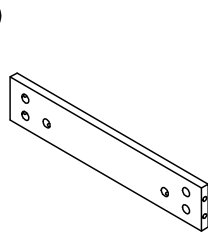
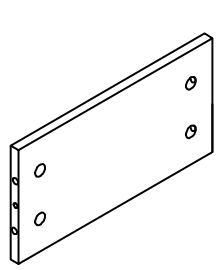
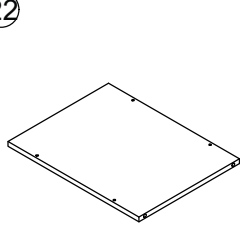
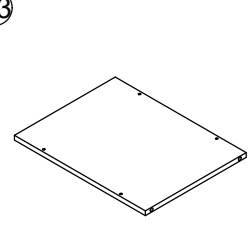
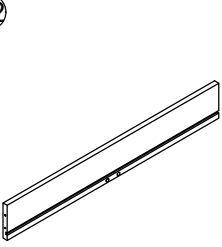
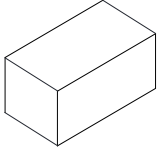
<p>④</p> 	<p>⑤</p> 	<p>⑫</p> 	<p>⑬</p> 
<p>664x60x15mm x1pc</p>	<p>752x60x15mm x1pc</p>	<p>414x80x15mm x1pc</p>	<p>759x322x4mm x2pc</p>
<p>⑭</p> 	<p>⑮</p> 	<p>⑯</p> 	<p>⑱</p> 
<p>758x308x4mm x2pc</p>	<p>746x150x15mm x1pc</p>	<p>700x150x15mm x1pc</p>	<p>314x240x12mm x2pc</p>
<p>⑲</p> 	<p>⑳</p> 	<p>㉑</p> 	<p>㉔</p> 
<p>314x240x12mm x1pc</p>	<p>380x56x12mm x2pc</p>	<p>380x56x12mm x2pc</p>	<p>746x328x15mm x1pc</p>
<p>㉕</p> 	<p>㉖</p> 	<p>㉗</p> 	<p>㉘</p> 
<p>7000x292x12mm x1pc</p>	<p>557x328x15mm x1pc</p>	<p>557x328x15mm x1pc</p>	<p>663x390x12mm x1pc</p>

Components - Parts

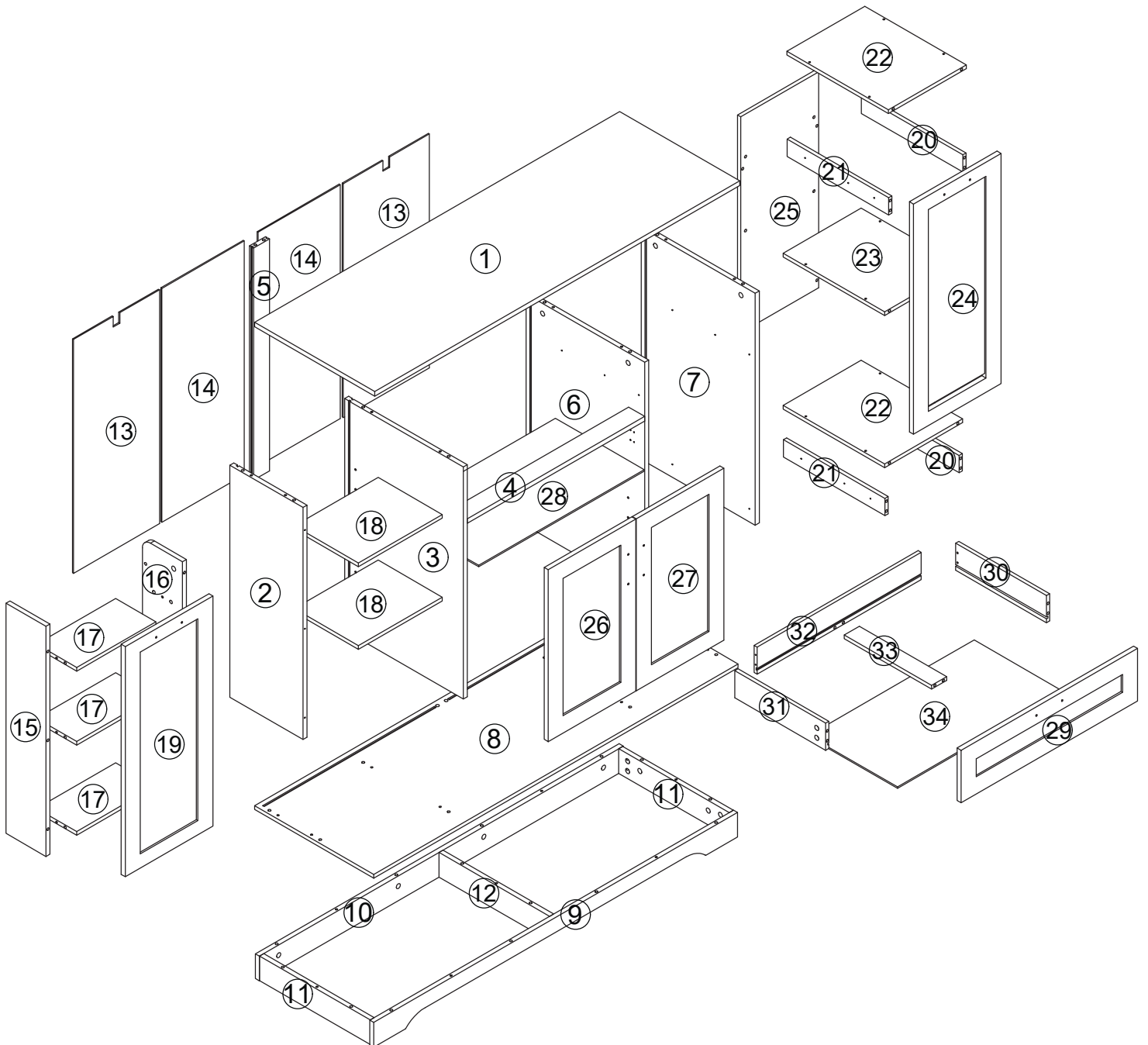
<p>②⑨</p> 	<p>③⑩</p> 	<p>③①</p> 	<p>③③</p> 
<p>660x170x15mm x1pc</p>	<p>340x88x12mm x1pc</p>	<p>340x88x12mm x1pc</p>	<p>327x56x12mm x1pc</p>
<p>③④</p> 			
<p>620x333x4mm x1pc</p>			

Components - Parts

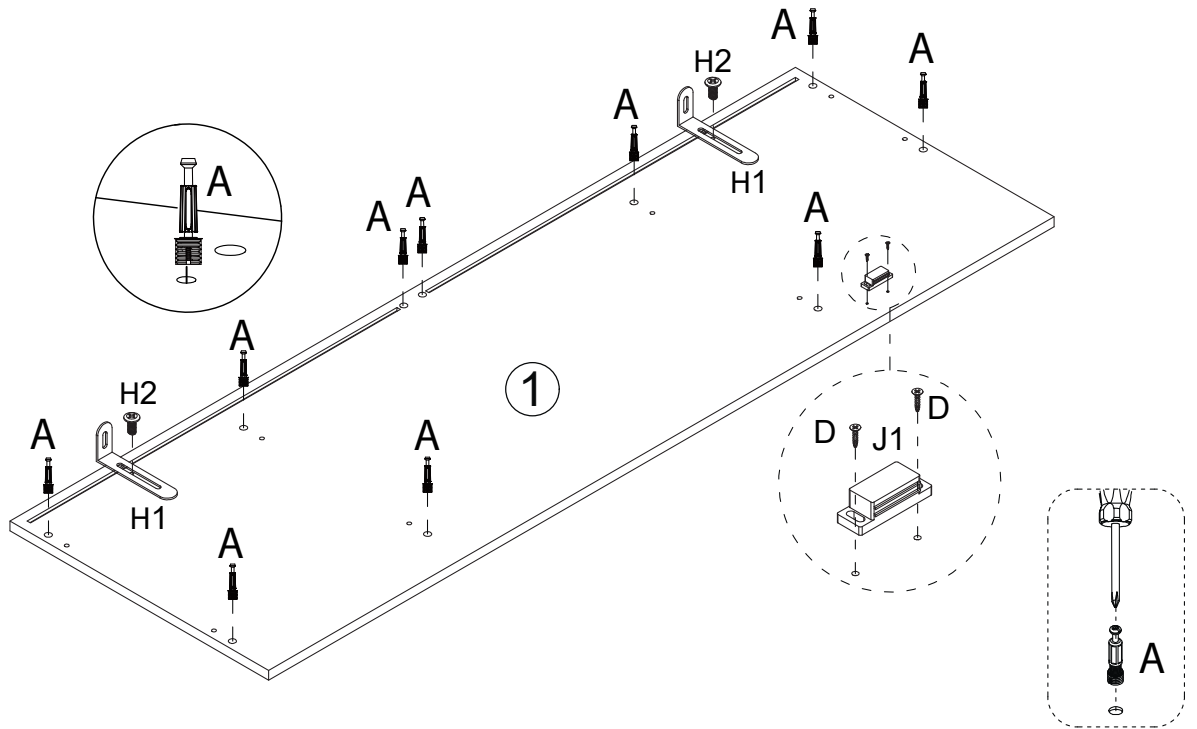
BOX B


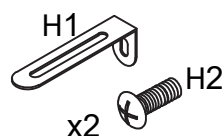
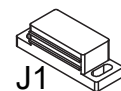

			
1366x450x15mm x1pc	752x274x15mm x1pc	752x444x15mm x1pc	752x444x15mm x1pc
			
752x427x15mm x1pc	1364x444x12mm x1pc	1362x80x15mm x1pc	1362x80x15mm x1pc
			
414x80x15mm x2pc	296x150x12mm x3pc	380x292x12mm x2pc	380x292x12mm x1pc
			
614x88x12mm x1pc	Hardware kid x1		

Assembly Instructions

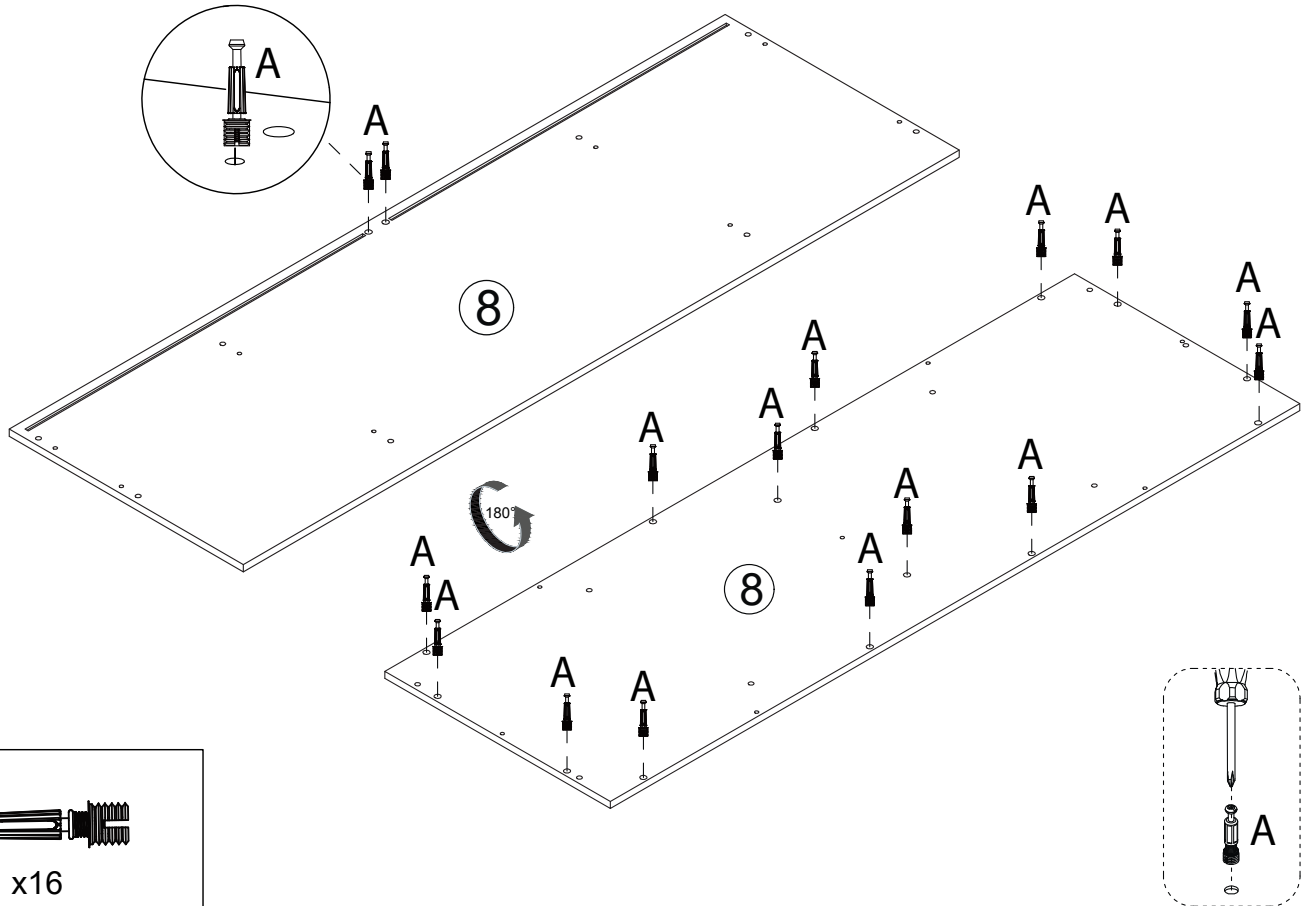



STEP 1



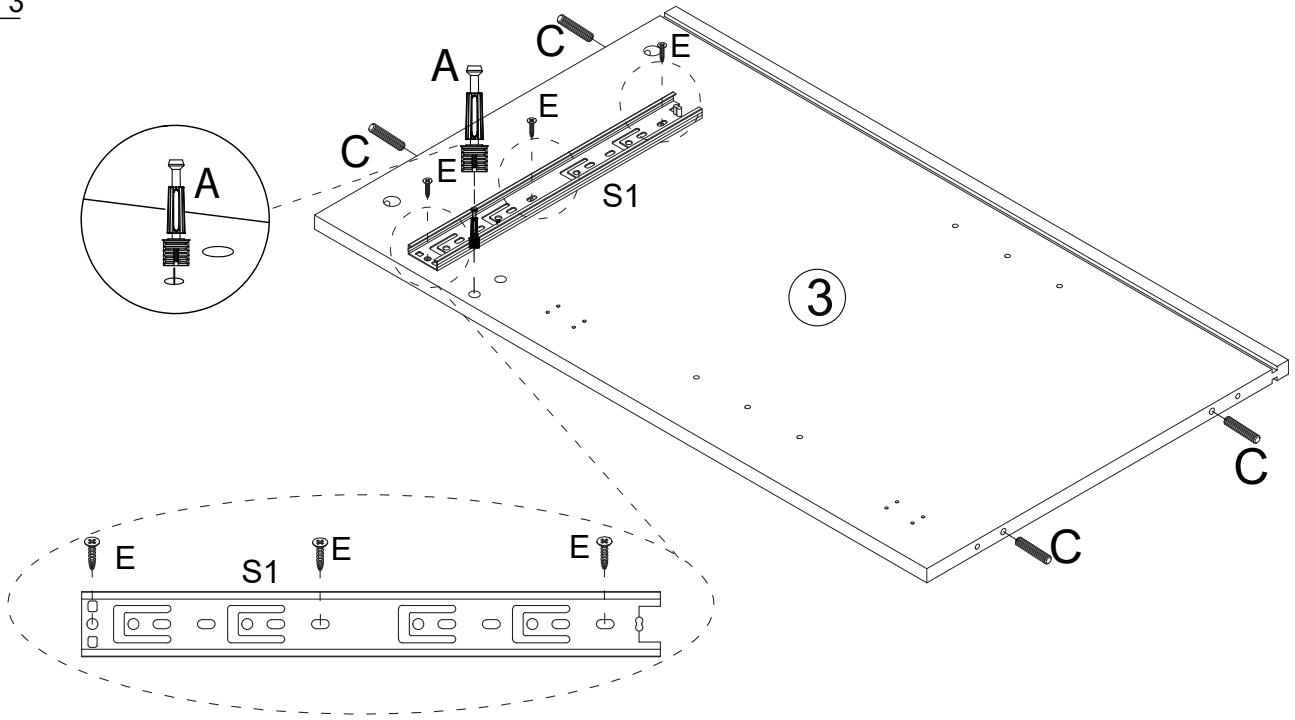
<p>A</p>  <p>x10</p>	<p>H</p>  <p>x2</p>	<p>J</p>  <p>x1</p>	<p>D</p>  <p>x2</p>
--------------------------------------------------------------------------------------------------------	-------------------------------------------------------------------------------------------------------	-------------------------------------------------------------------------------------------------------	---------------------------------------------------------------------------------------------------------


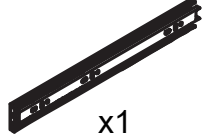


STEP 2



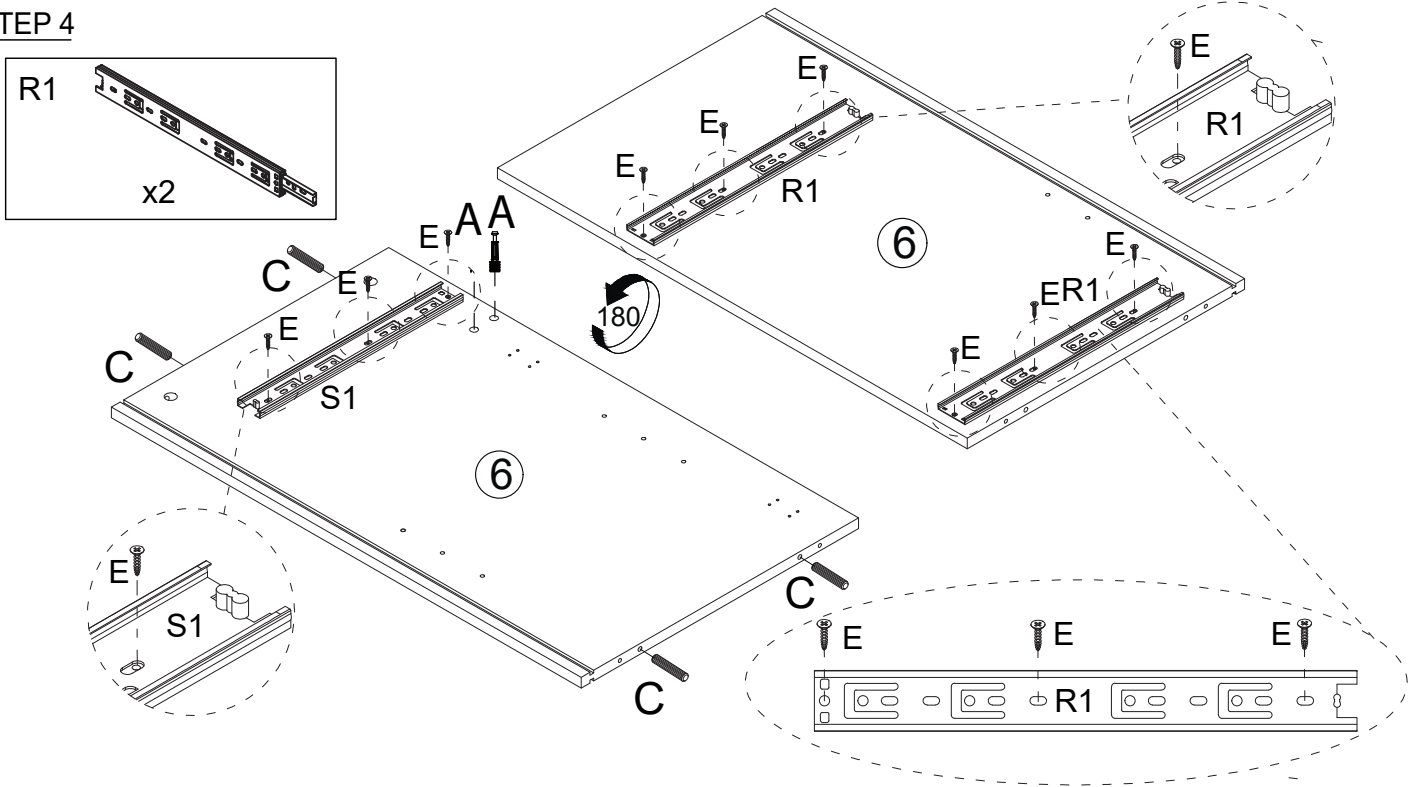
<p>A</p>  <p>x16</p>


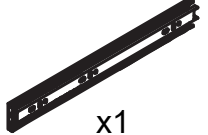
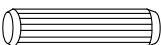

STEP 3



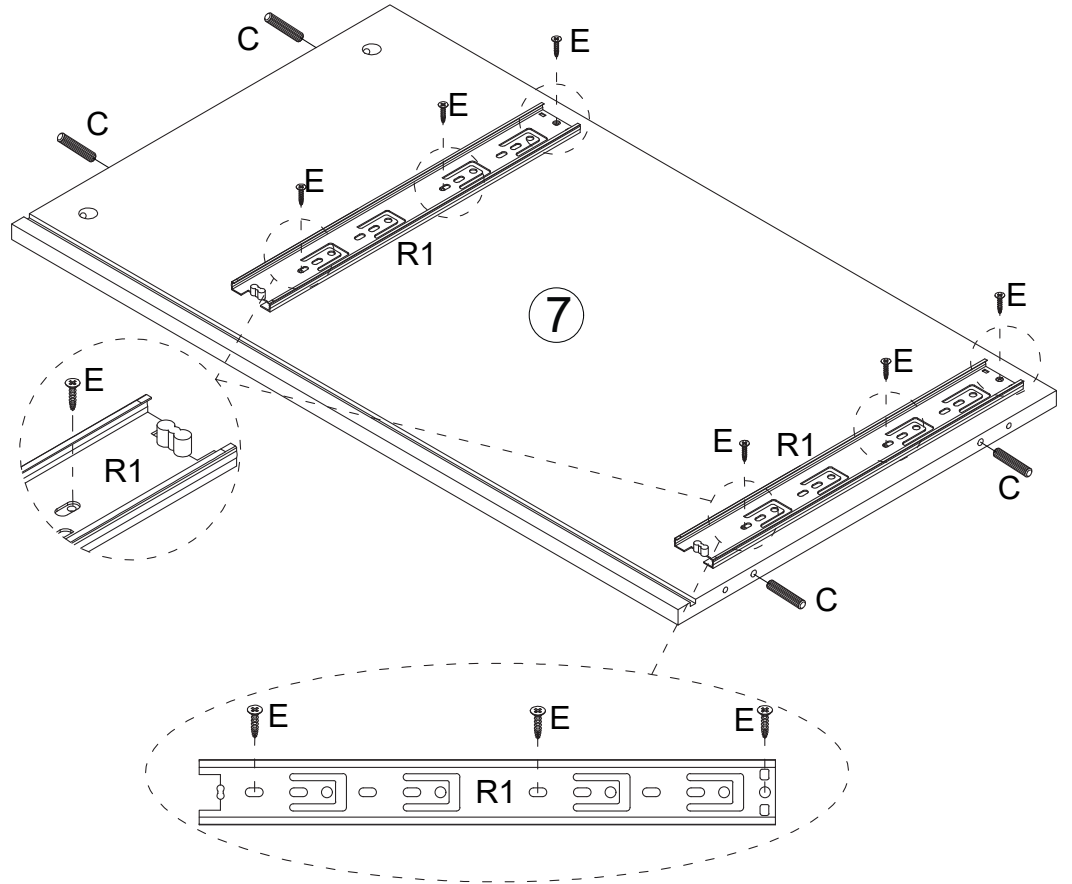
<p>A</p>  <p>x1</p>	<p>S1</p>  <p>x1</p>	<p>C</p>  <p>x4</p>	<p>E</p>  <p>x3</p>
-------------------------------------------------------------------------------------------------------	--------------------------------------------------------------------------------------------------------	-------------------------------------------------------------------------------------------------------	---------------------------------------------------------------------------------------------------------

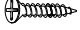
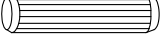
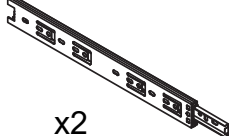
STEP 4



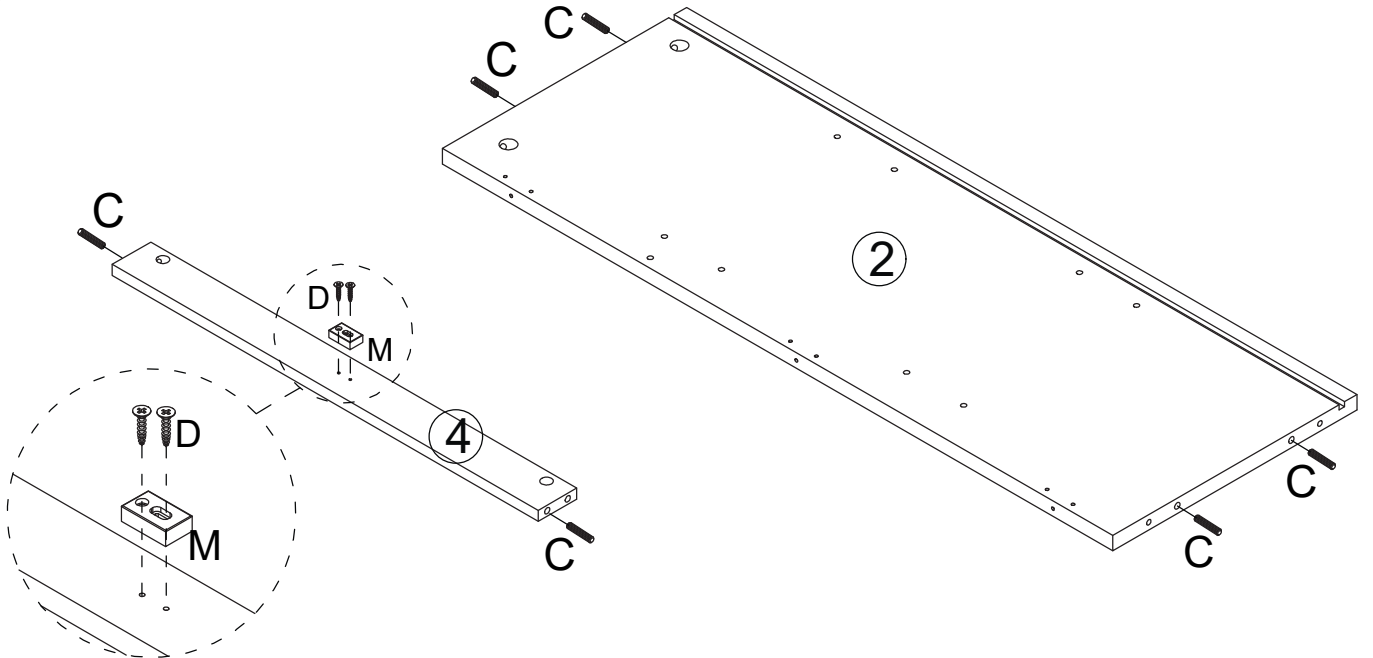
<p>A</p>  <p>x2</p>	<p>S1</p>  <p>x1</p>	<p>C</p>  <p>x4</p>	<p>E</p>  <p>x9</p>
--------------------------------------------------------------------------------------------------------	---------------------------------------------------------------------------------------------------------	--------------------------------------------------------------------------------------------------------	----------------------------------------------------------------------------------------------------------



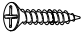
STEP 5



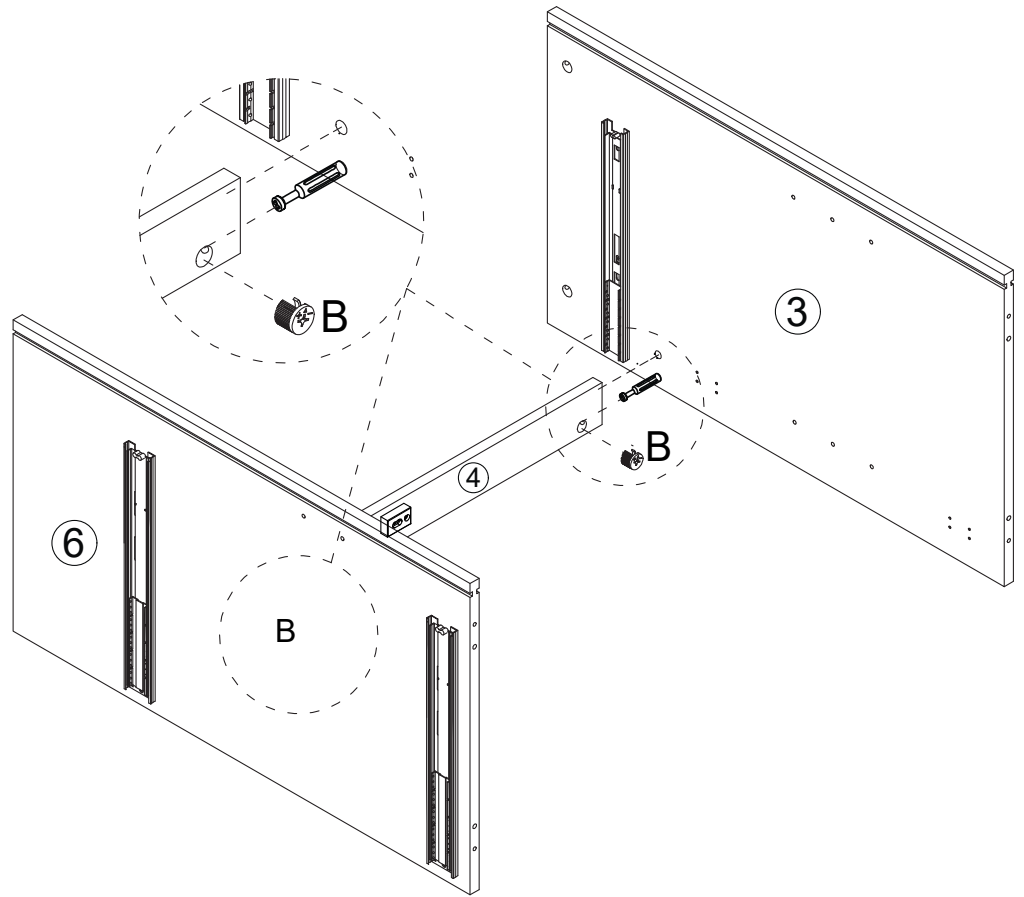
E	
	x6
C	
	x4
R1	
	x2

STEP 6



M		C		D	
	x1		x6		x2

STEP 7

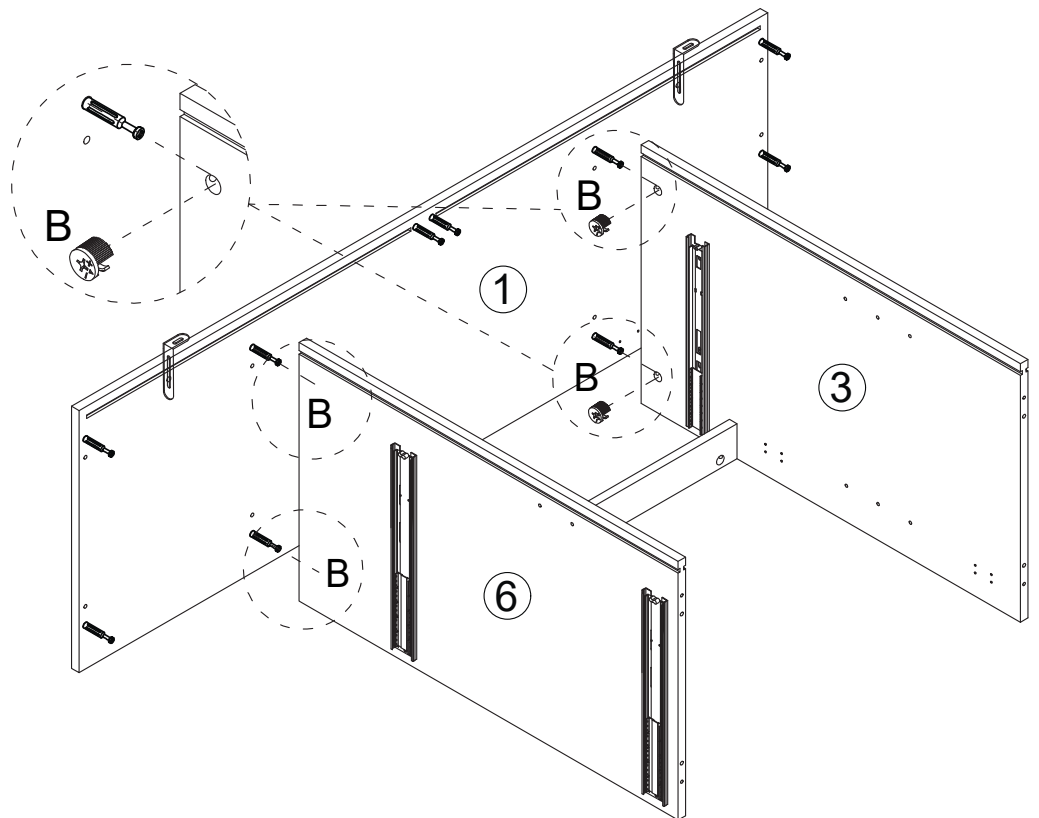


B



x2

STEP 8

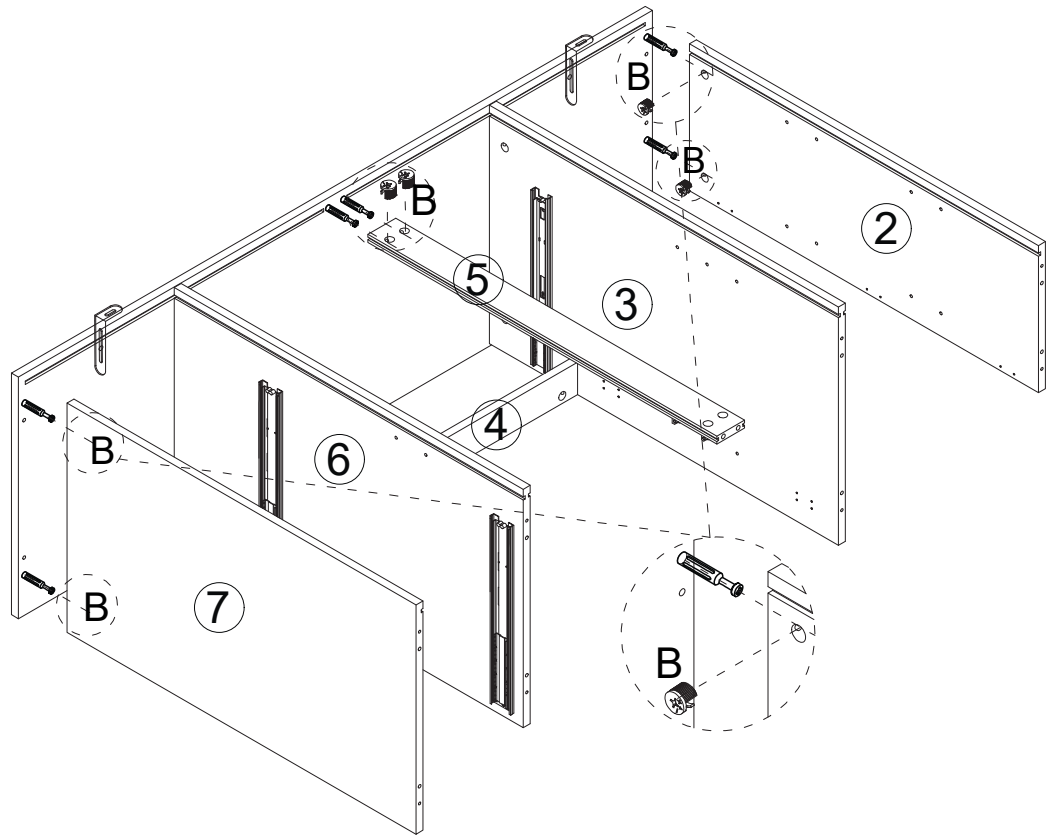


B



x4

STEP 9

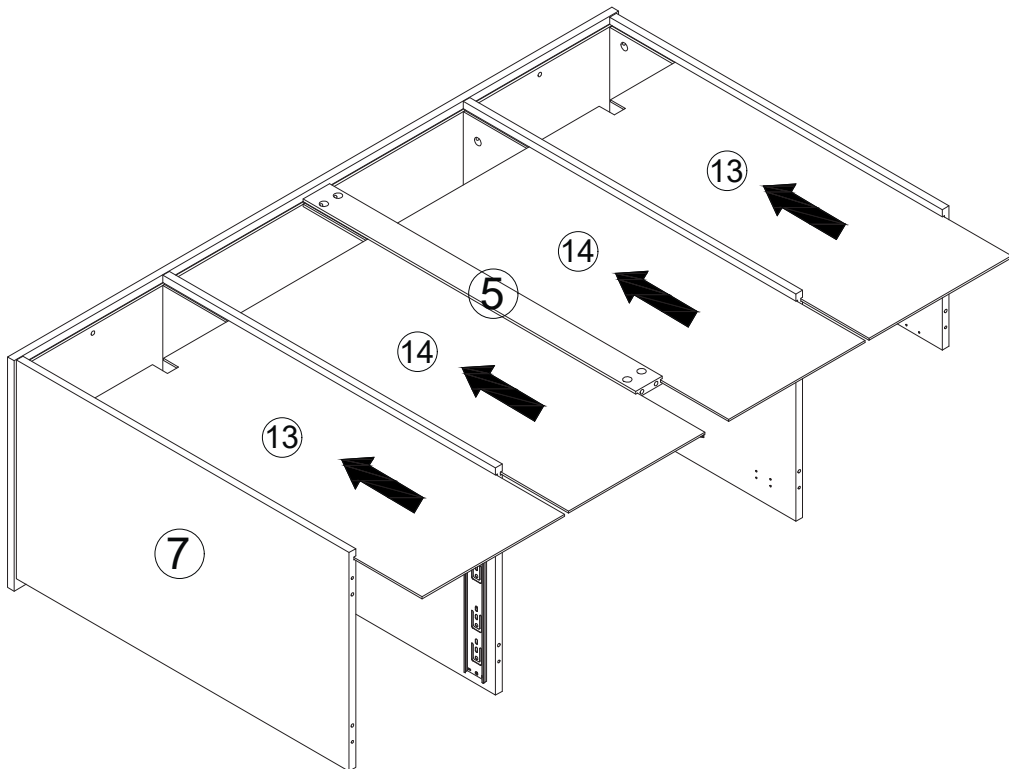


B

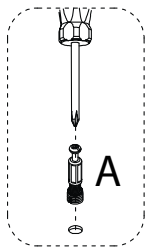
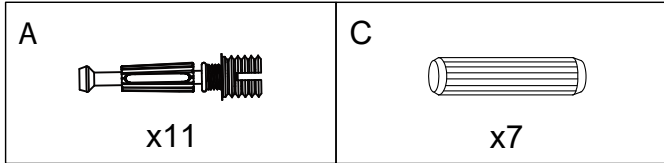
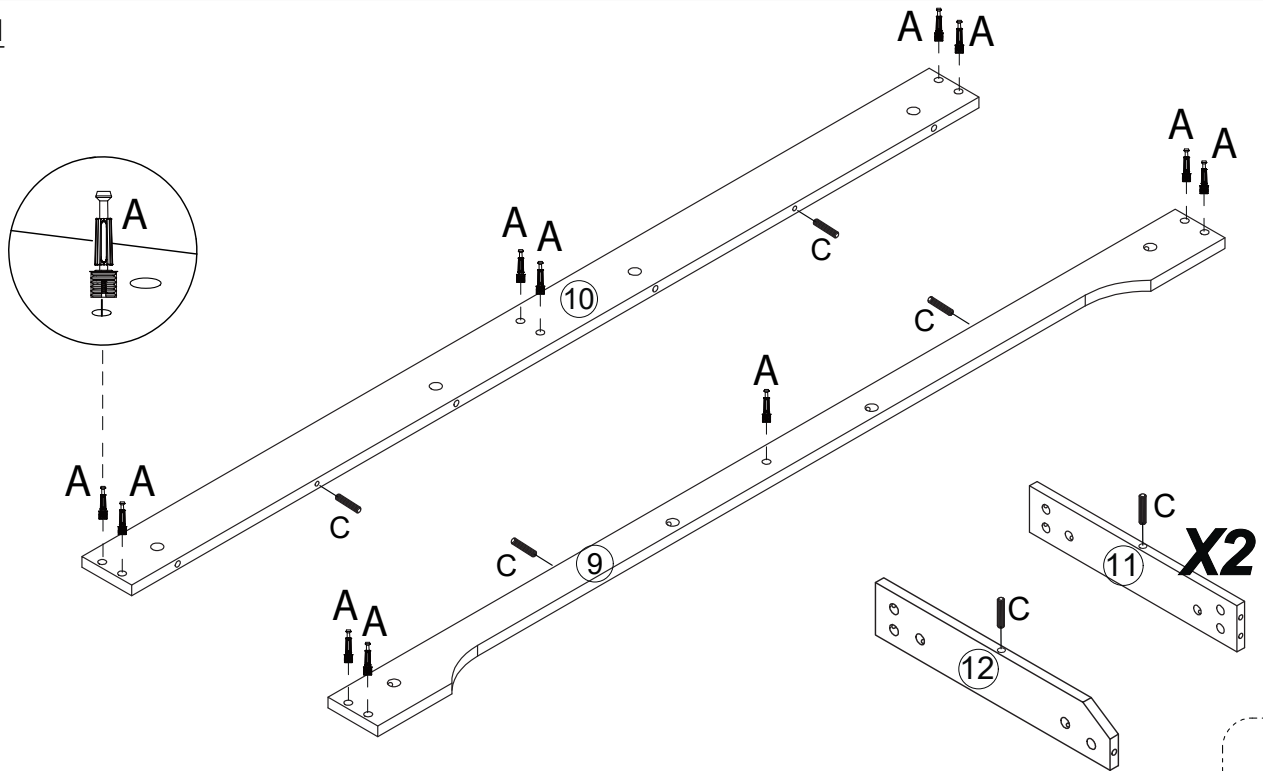


x6

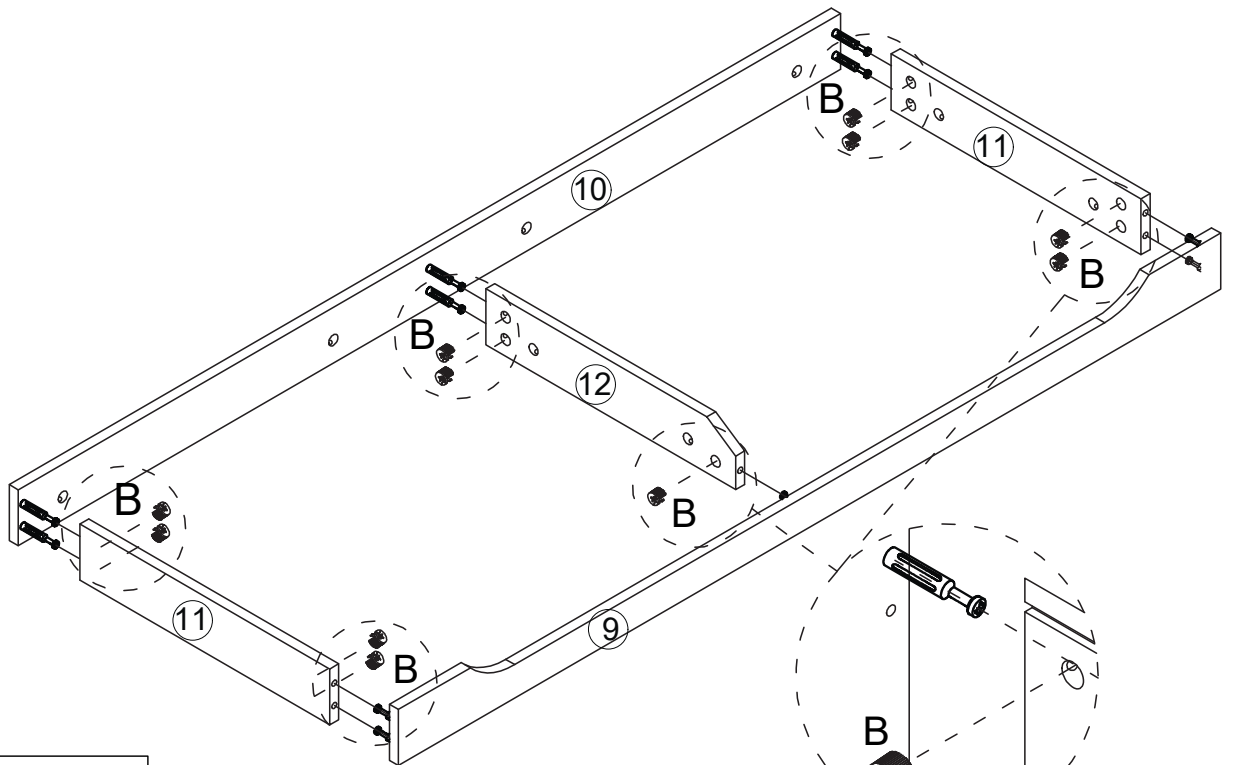
STEP 10



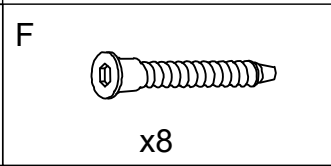
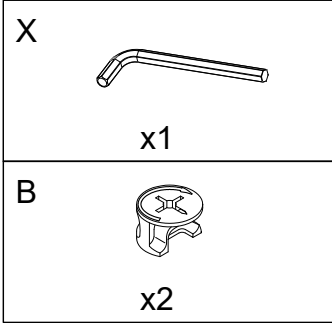
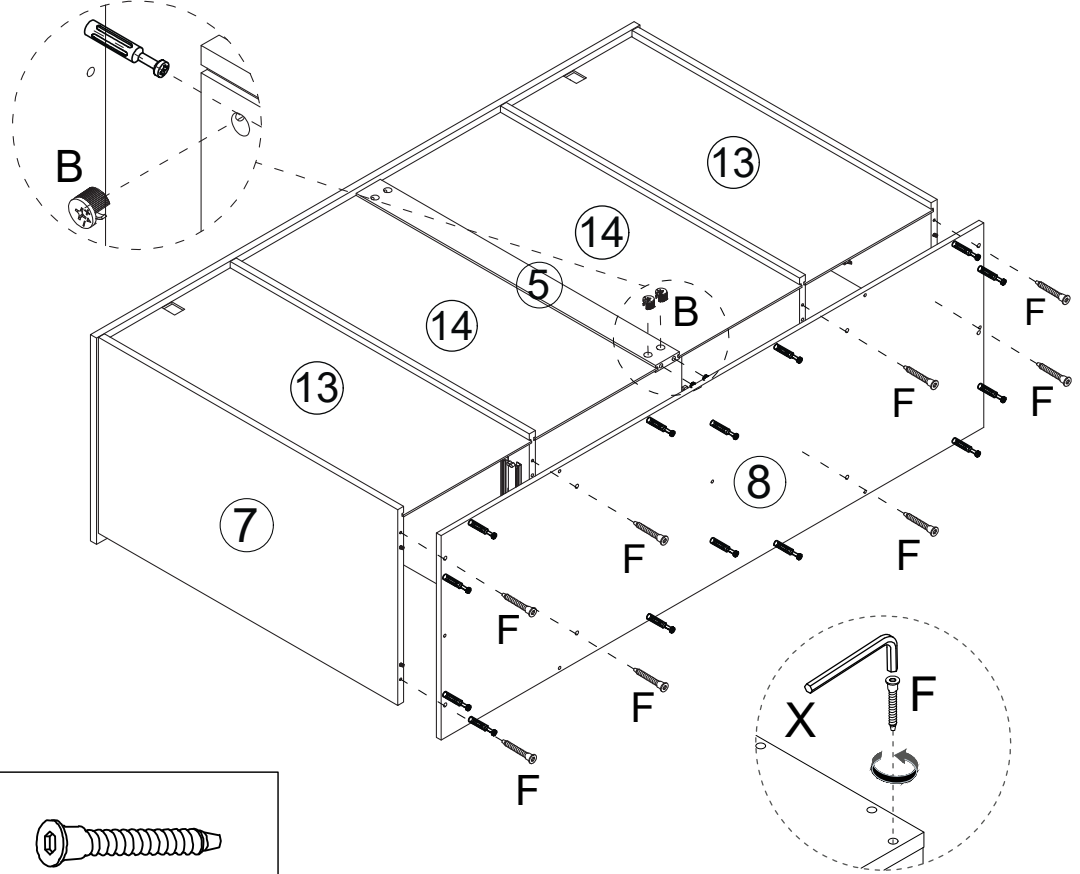
STEP 11



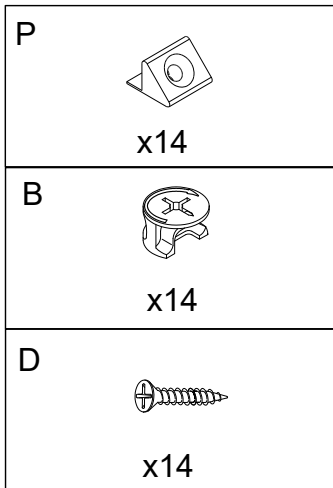
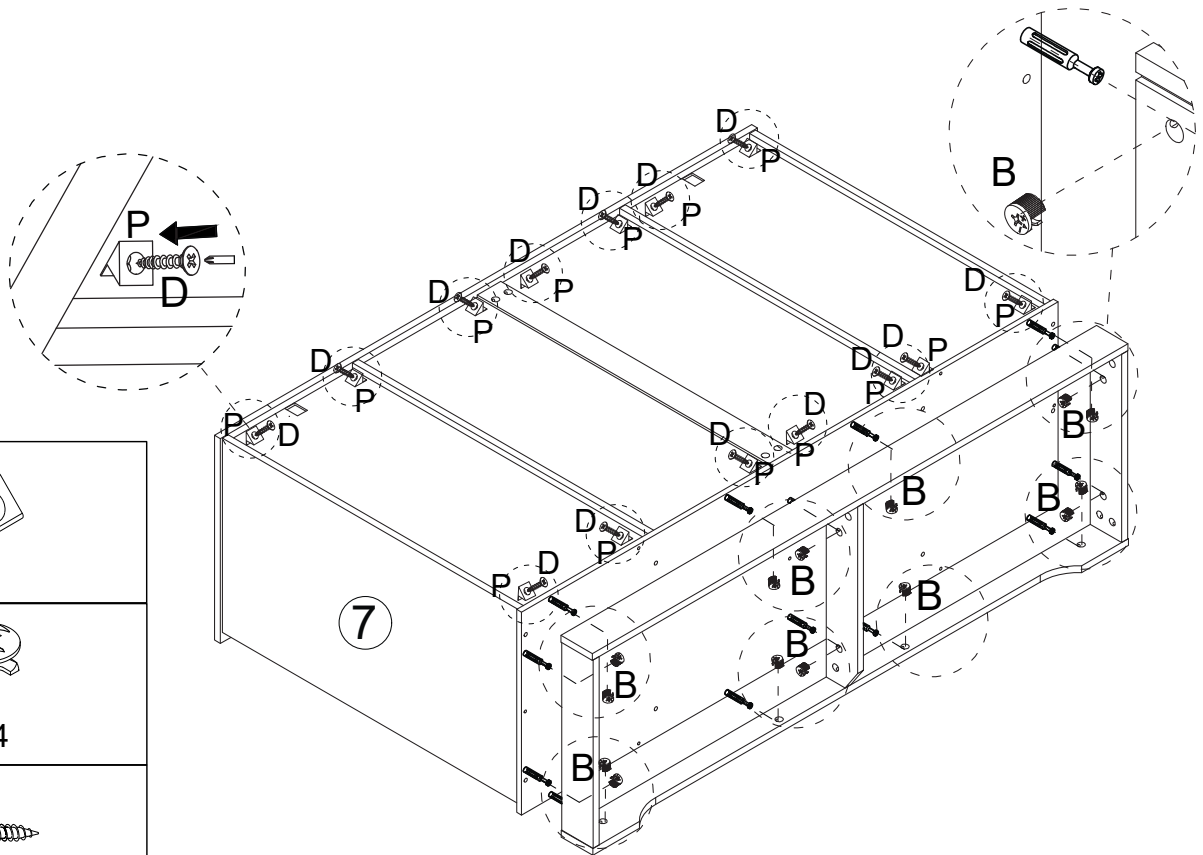
STEP 12



STEP 13



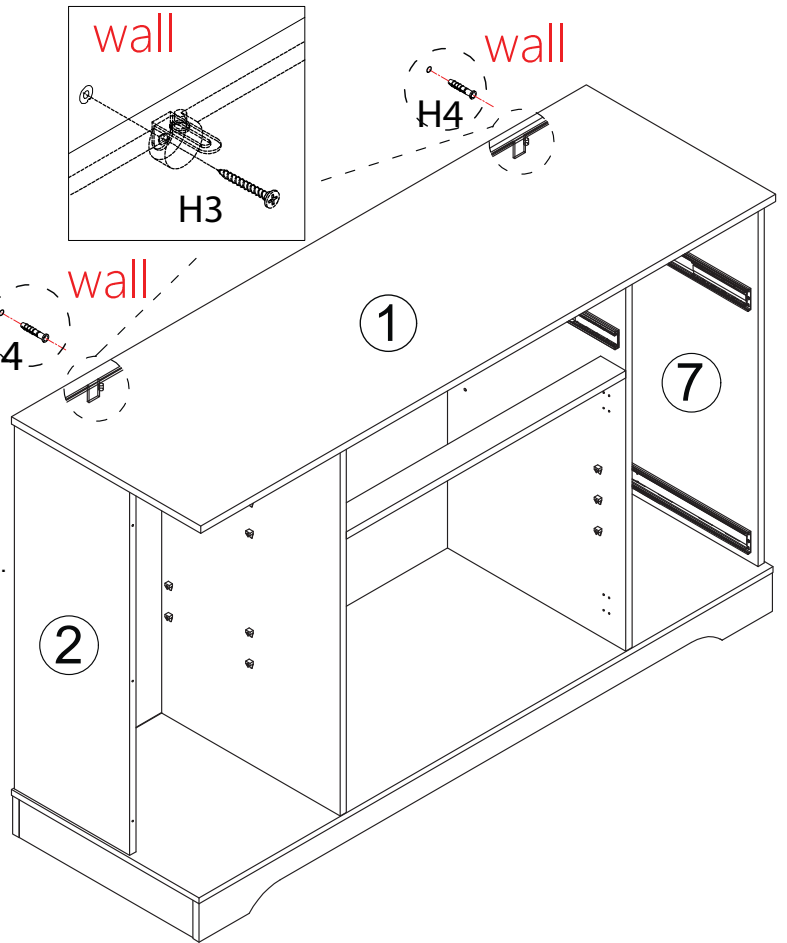
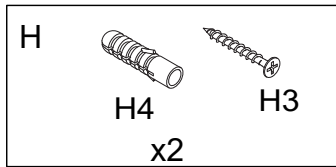
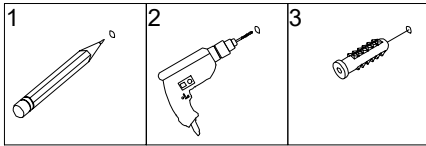
STEP 14



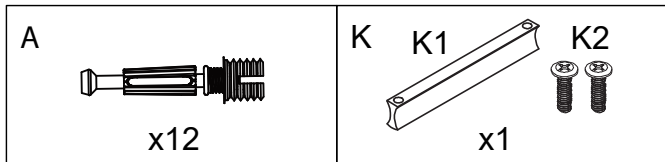
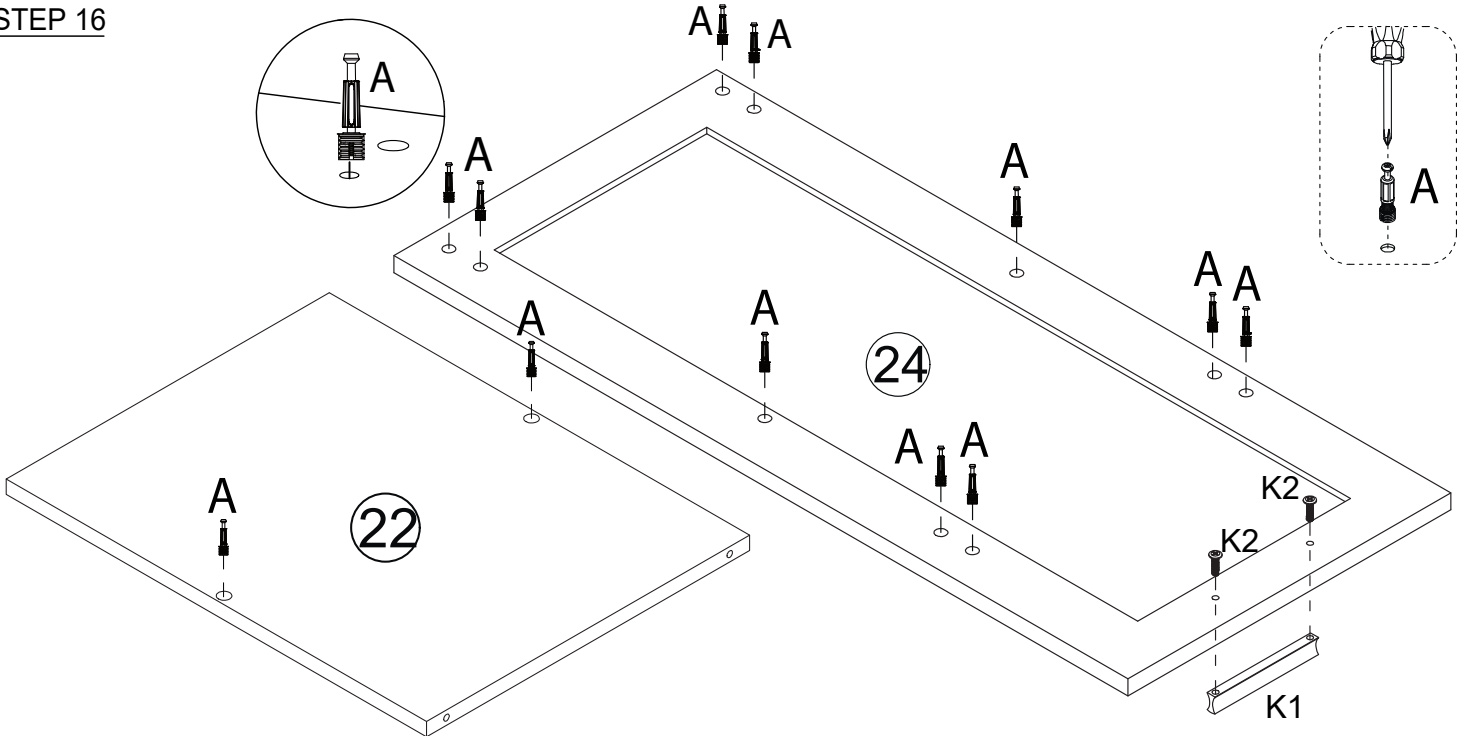
STEP 15

WARNING

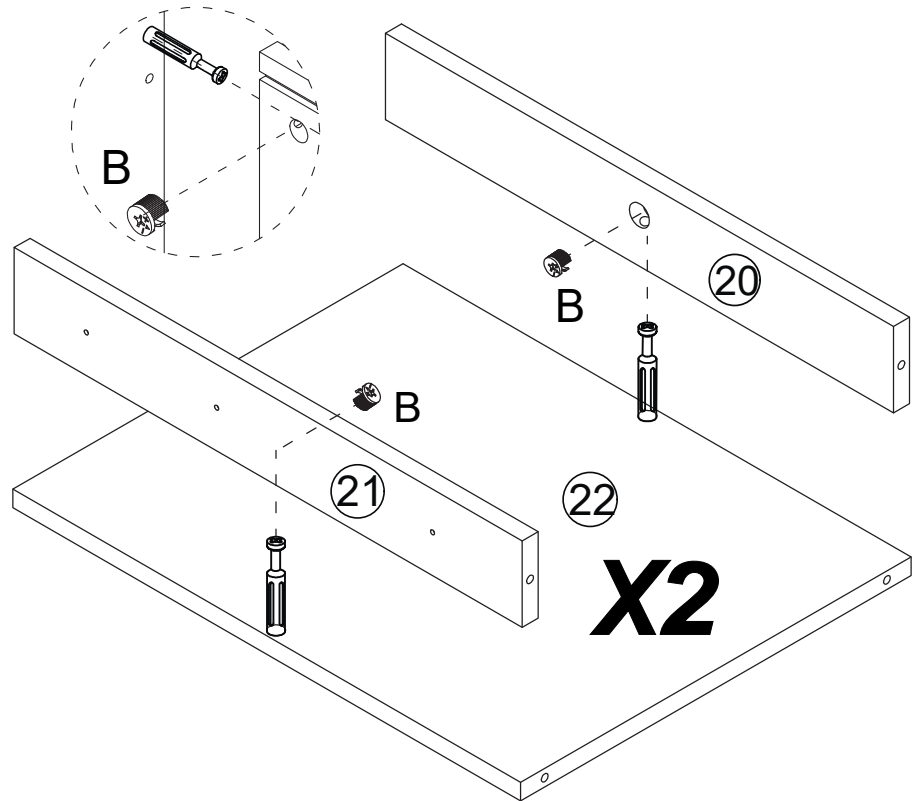
Serious or fatal injuries can occur from furniture tipping over. To prevent the furniture from tipping over we recommend that it is permanently fixed to the wall. Wall anchor and hardware are included with this product. Please make sure hardware is suitable for your walls before installing, as different wall materials may require different types of anchors.



STEP 16



STEP 17

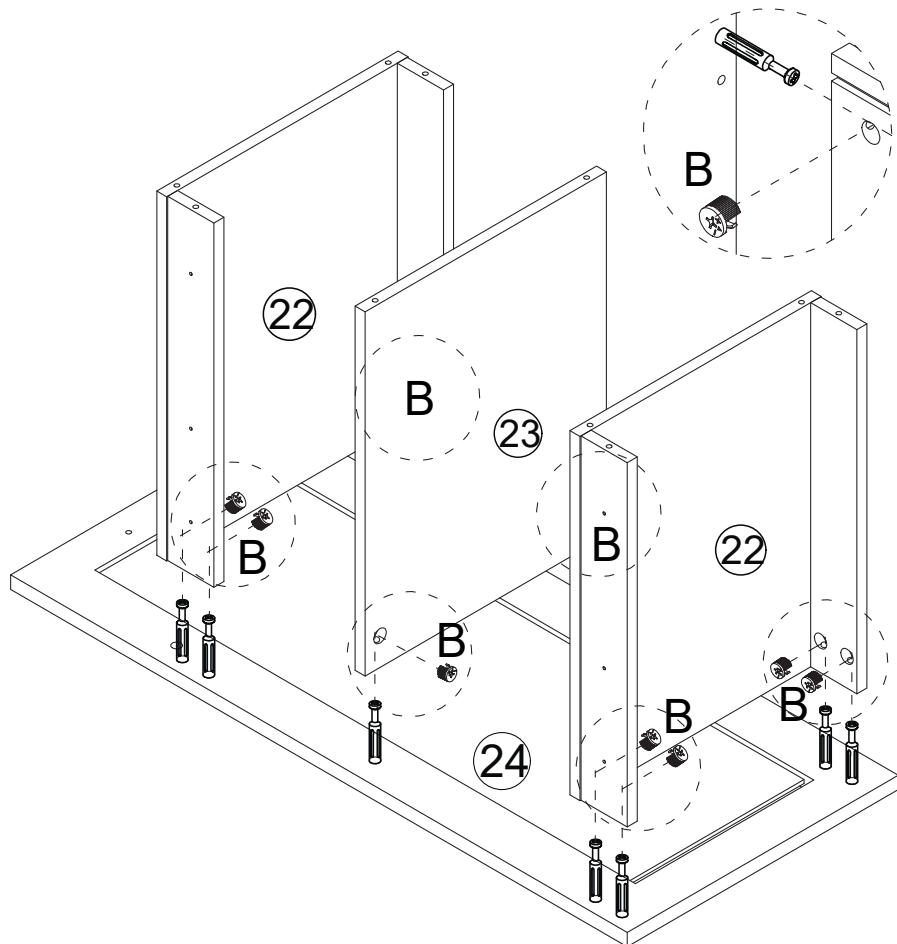


B



x2

STEP 18

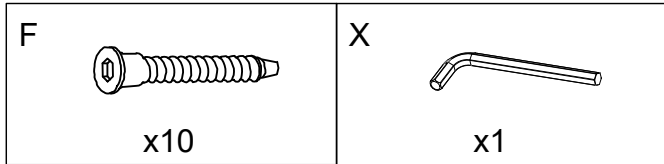
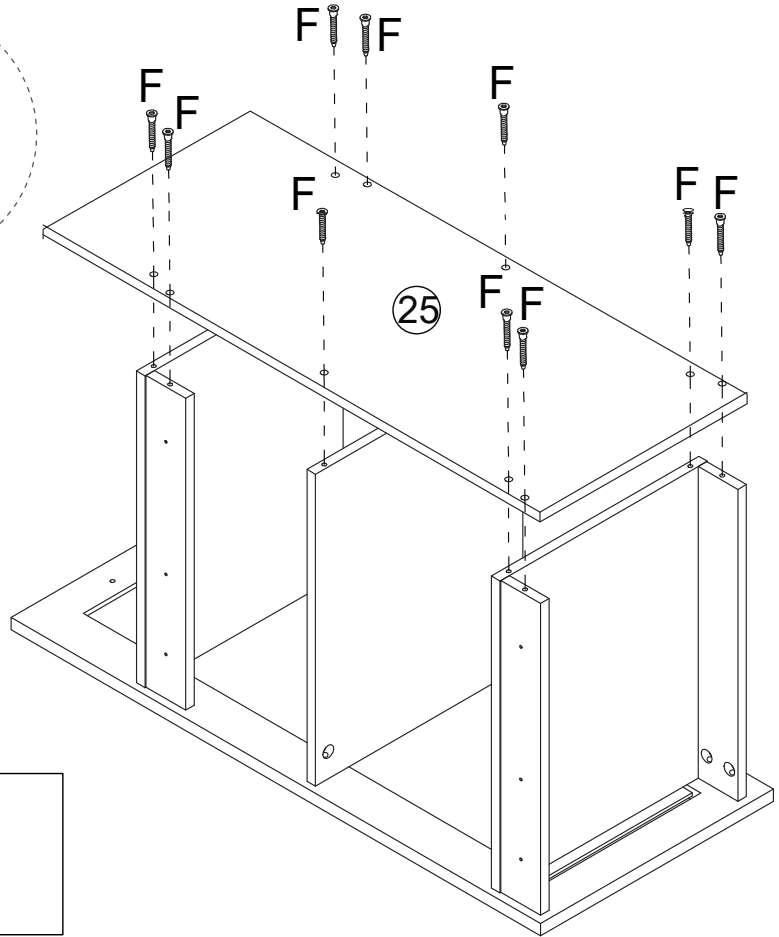
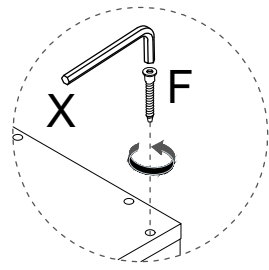


B

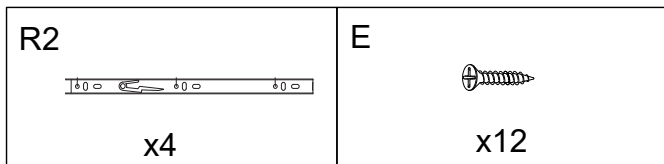
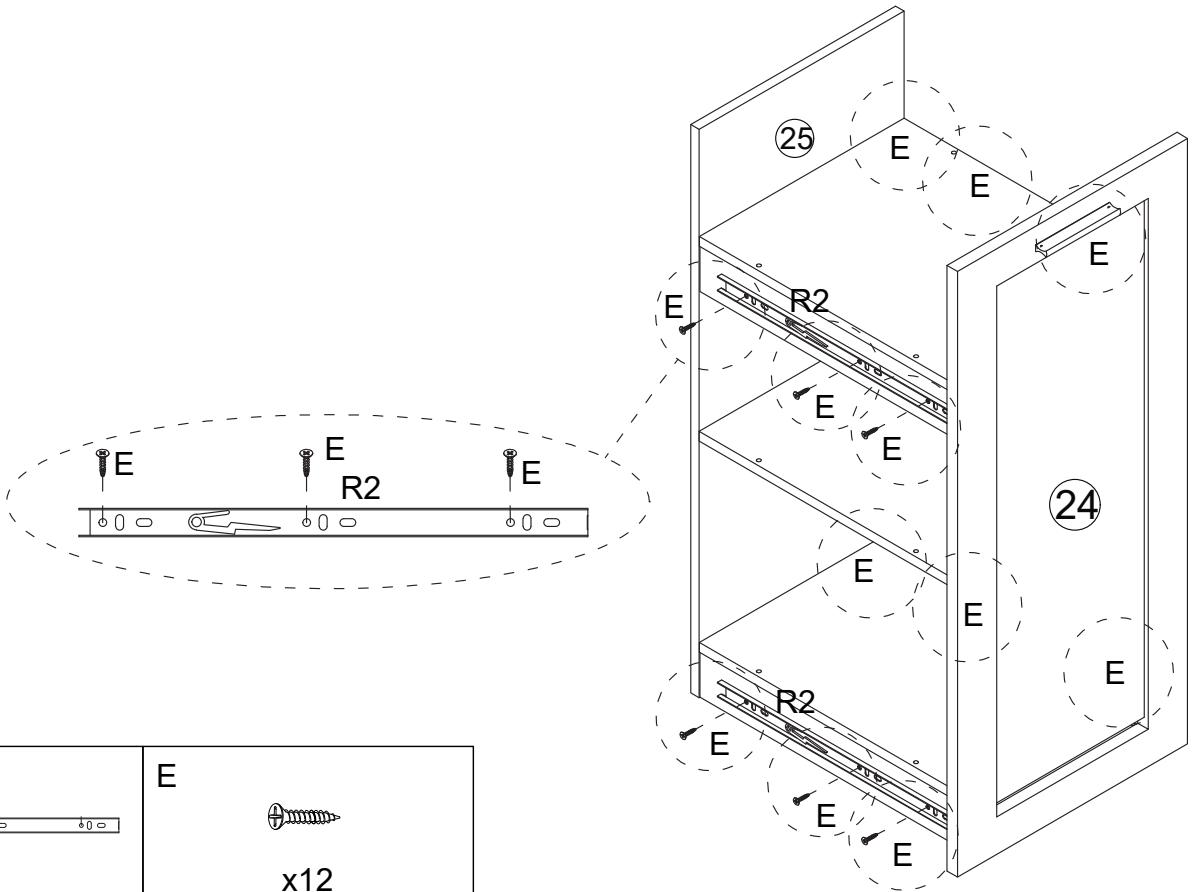


x10

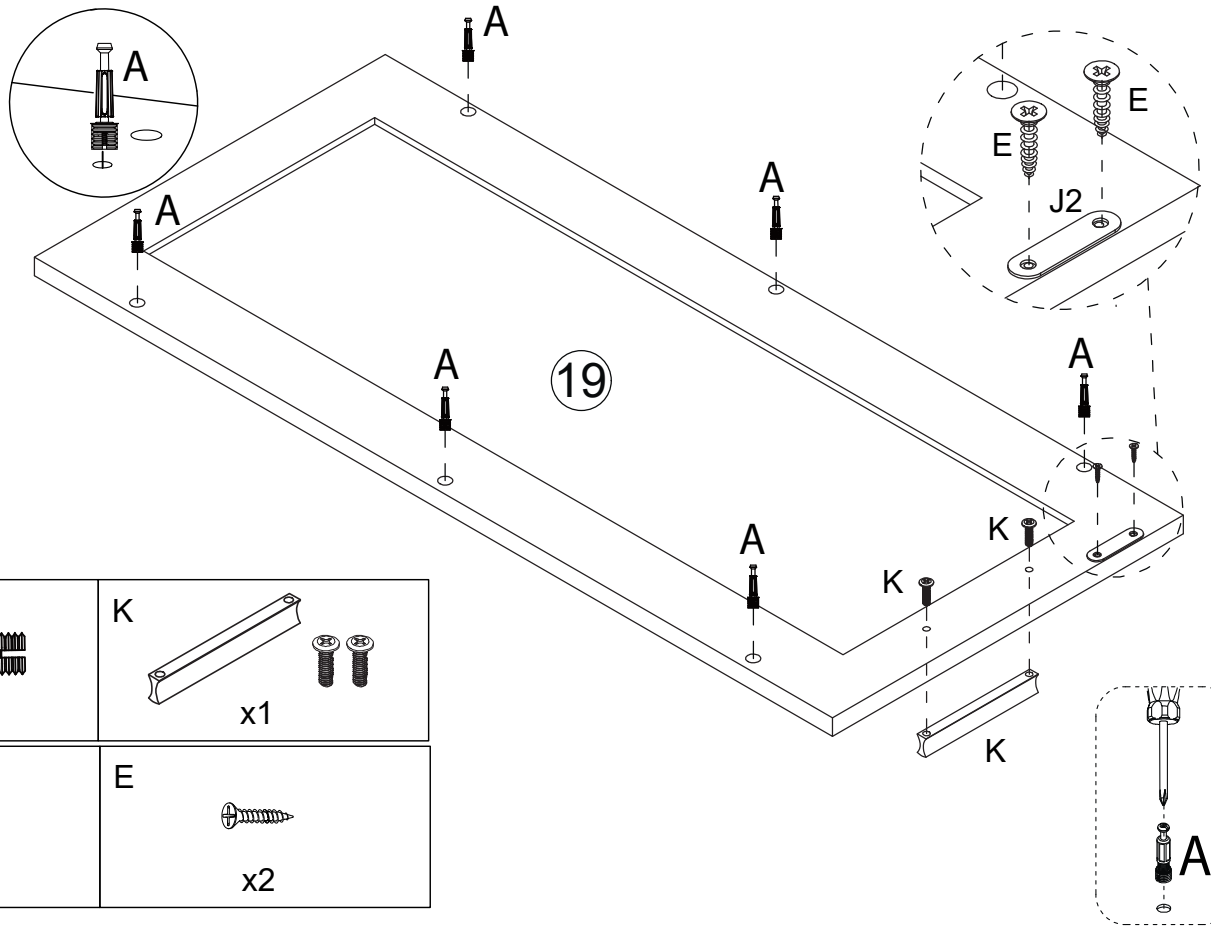
STEP 19


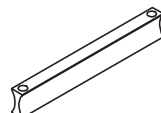
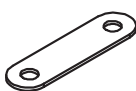



STEP 20

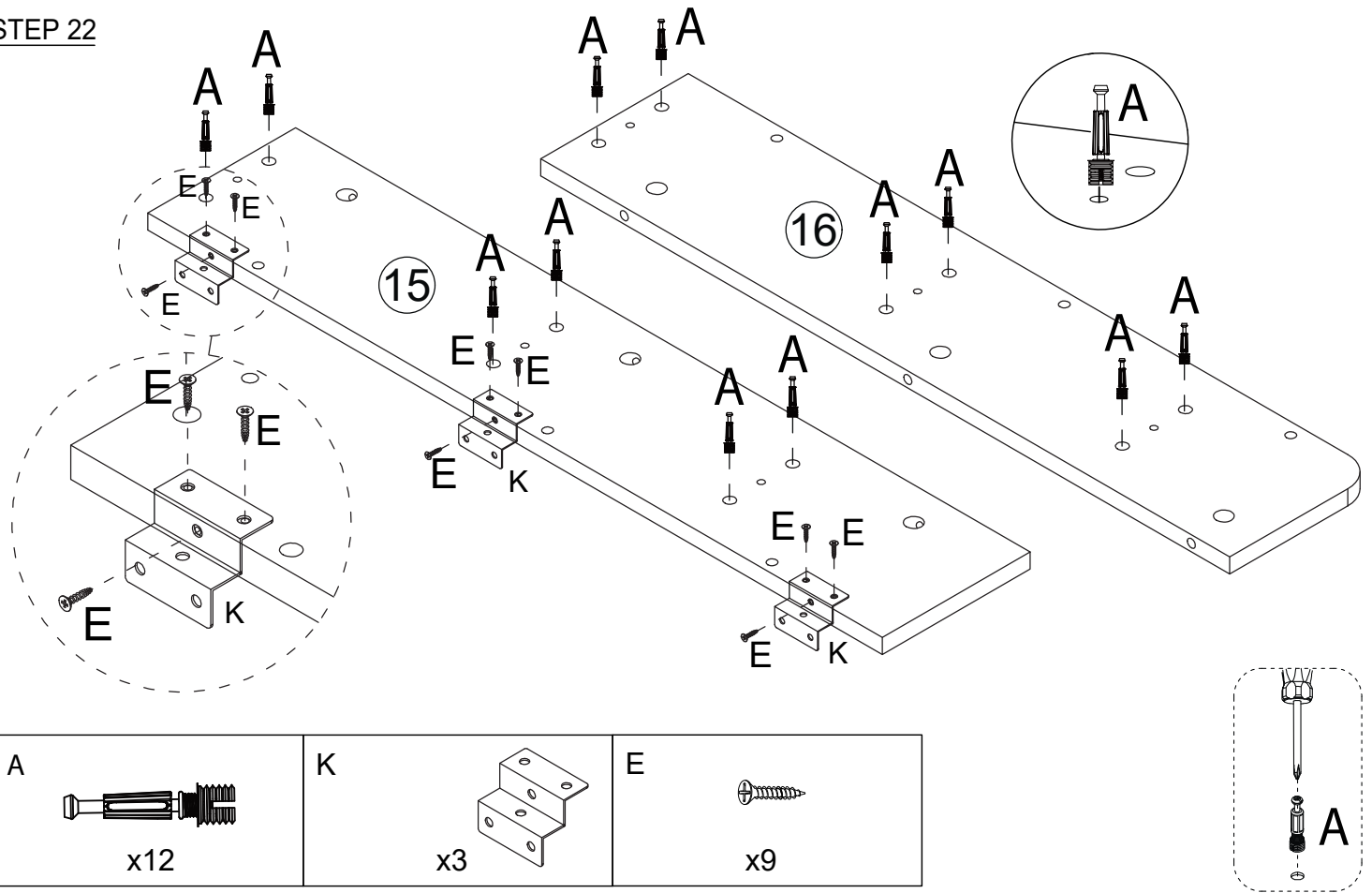



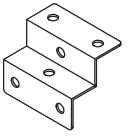

STEP 21



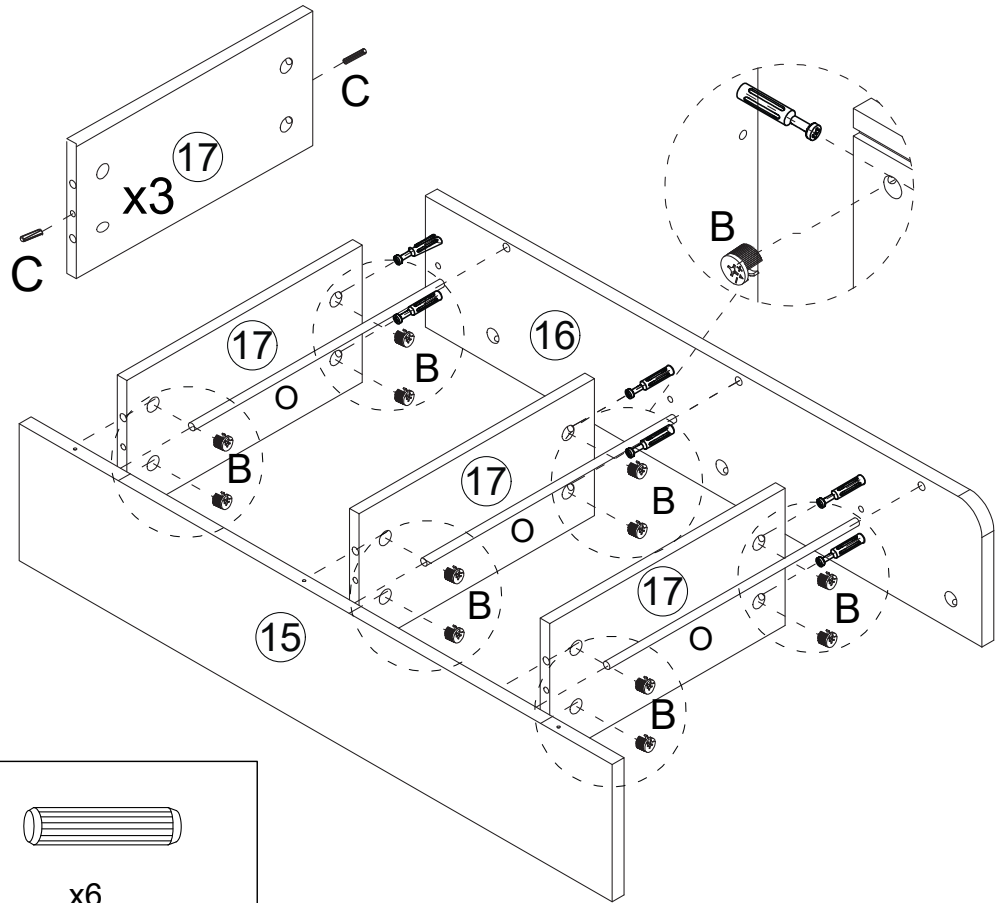
<p>A</p>  <p>x6</p>	<p>K</p>  <p>x1</p>
<p>J2</p>  <p>x1</p>	<p>E</p>  <p>x2</p>

STEP 22

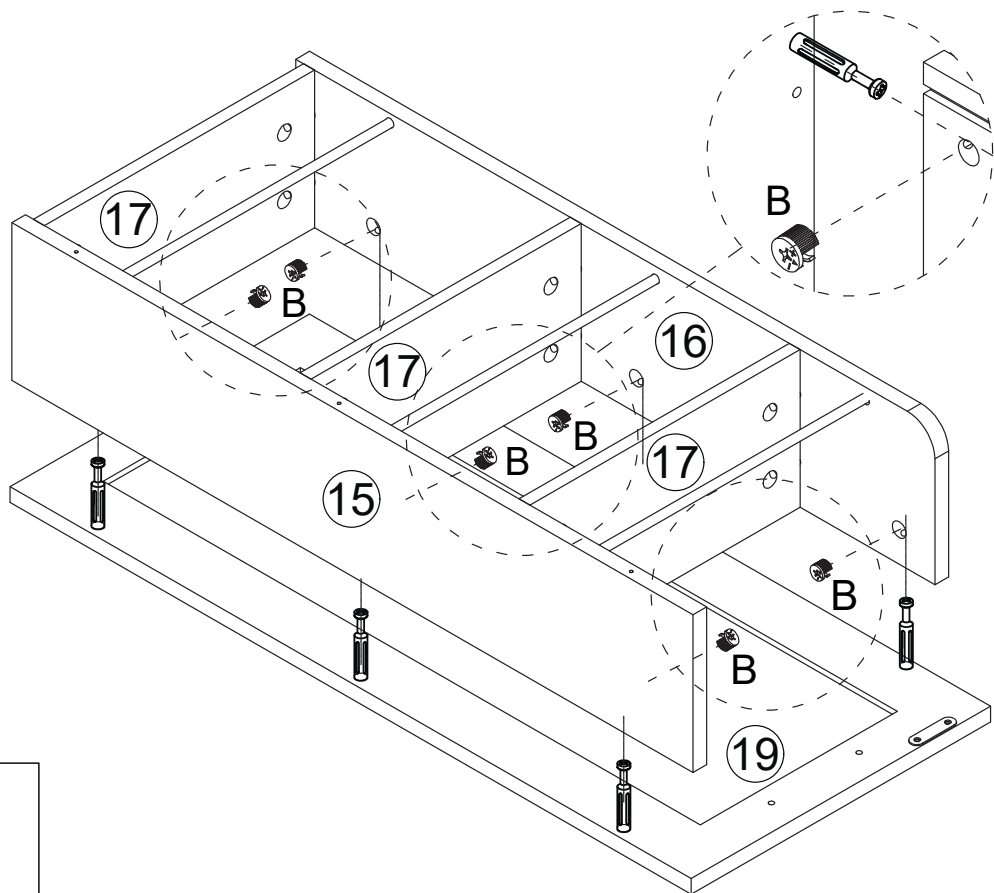


<p>A</p>  <p>x12</p>	<p>K</p>  <p>x3</p>	<p>E</p>  <p>x9</p>
---------------------------------------------------------------------------------------------------------	--------------------------------------------------------------------------------------------------------	--------------------------------------------------------------------------------------------------------

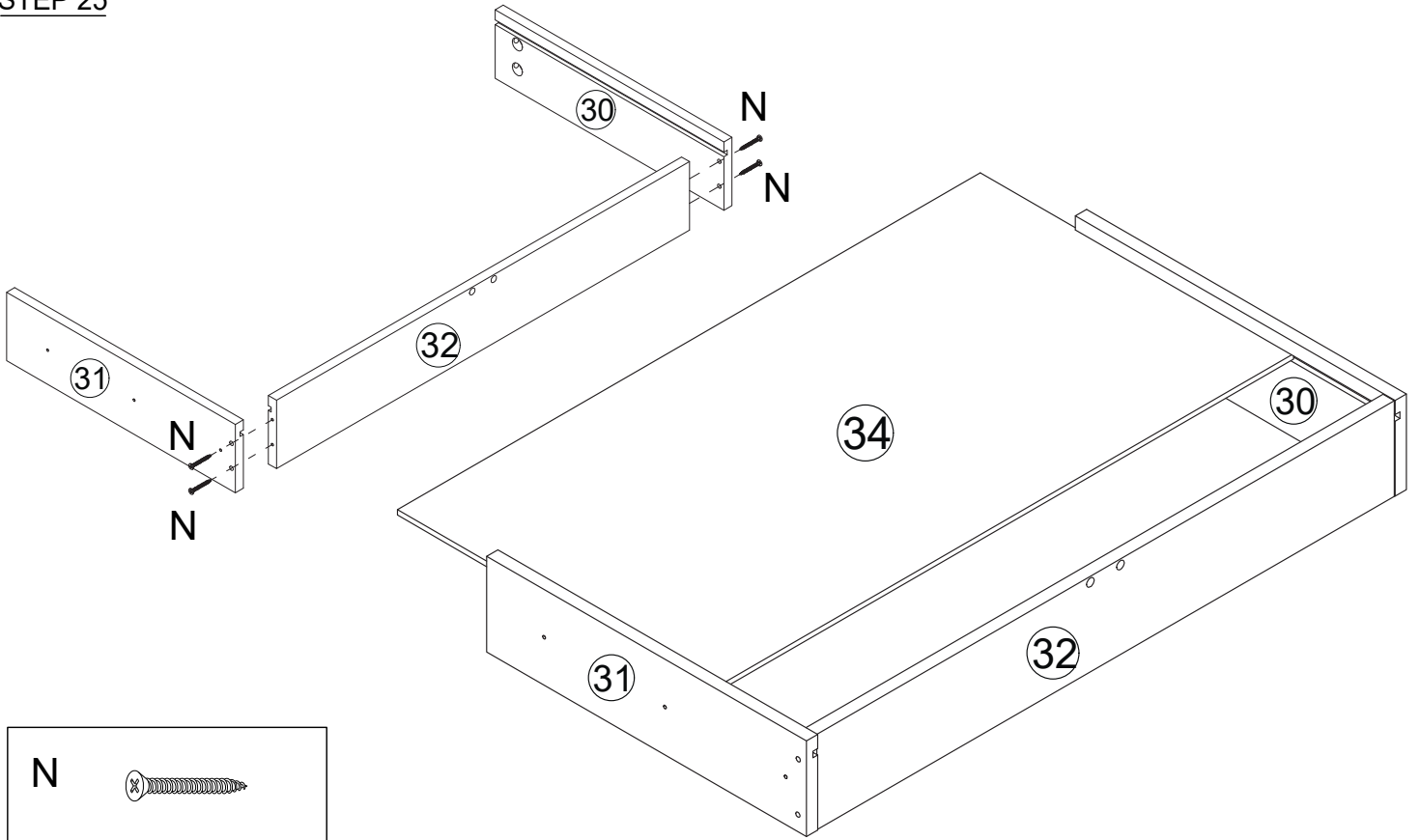
STEP 23



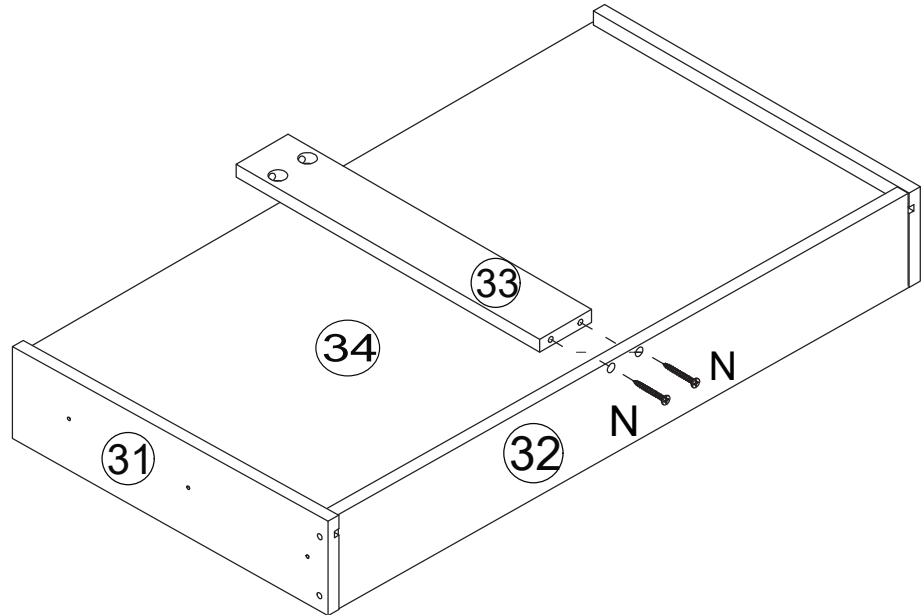
STEP 24



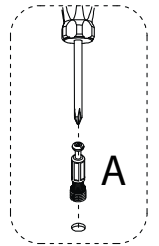
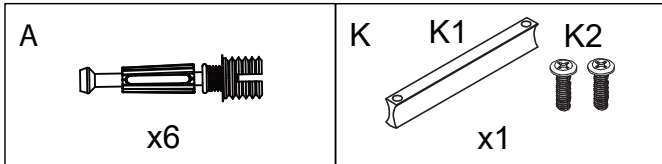
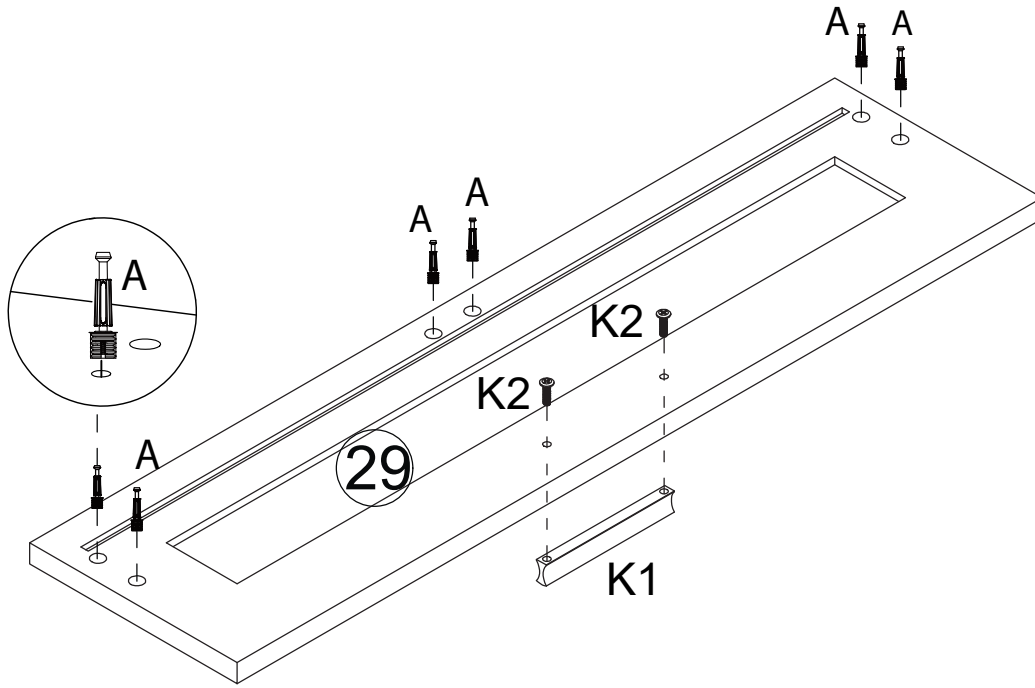
STEP 25



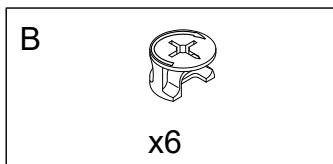
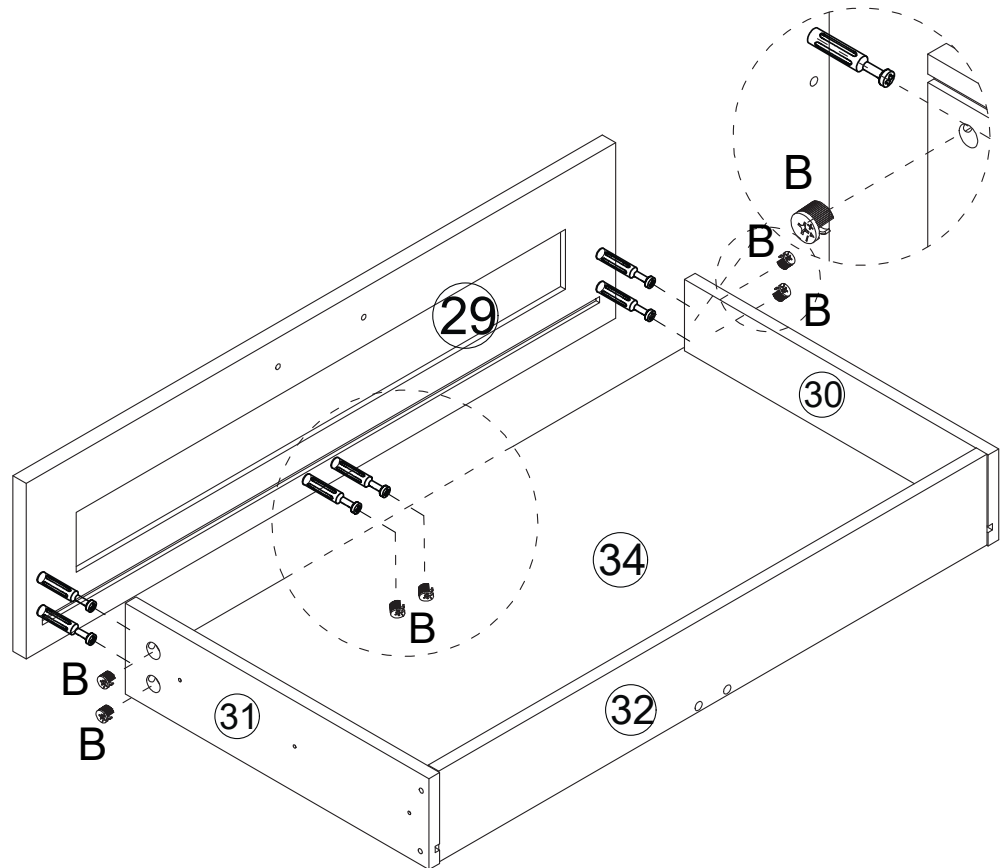
STEP 26



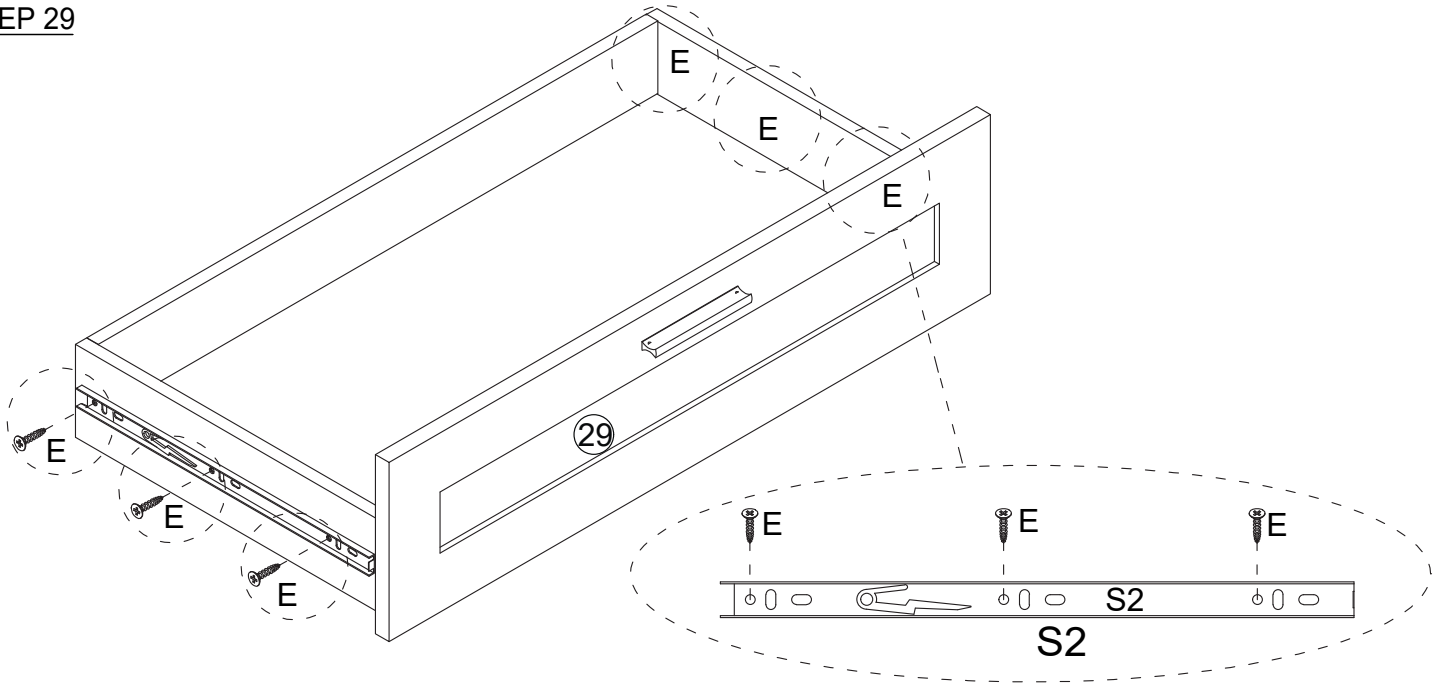
STEP 27


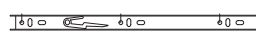


STEP 28

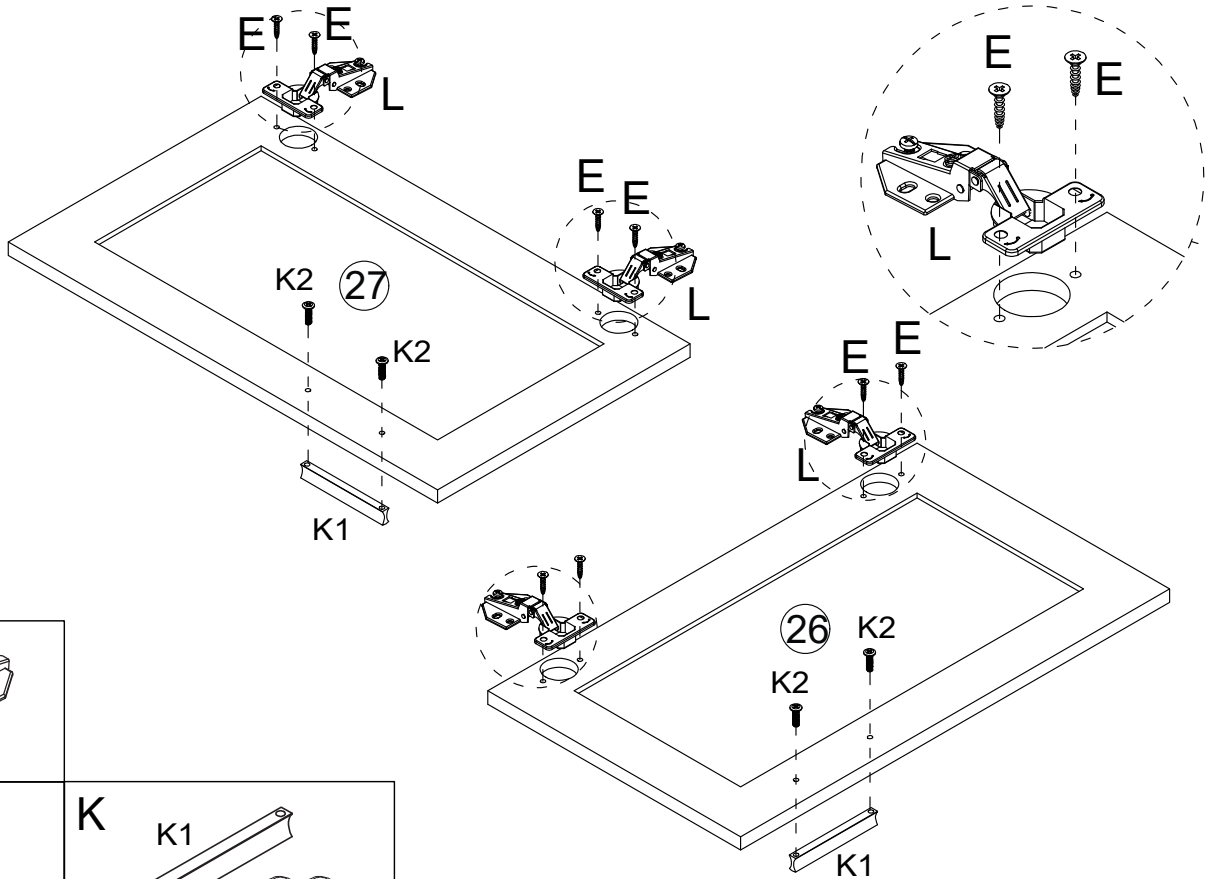


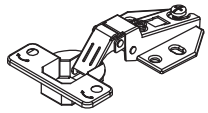
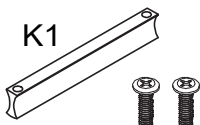

STEP 29



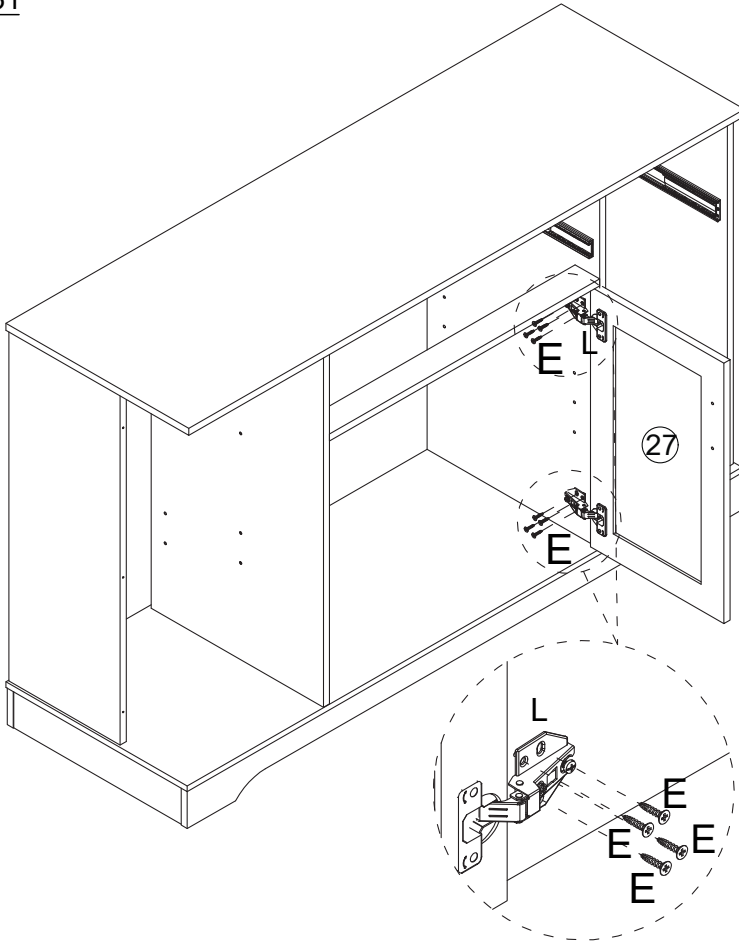
<p>E</p>  <p>x6</p>	<p>S2</p>  <p>x2</p>
-------------------------------------------------------------------------------------------------------	--------------------------------------------------------------------------------------------------------

STEP 30

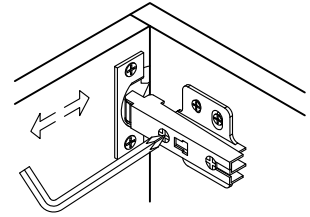


<p>L</p>  <p>x4</p>	<p>K</p> <p>K1</p>  <p>x2</p>
<p>E</p>  <p>x8</p>	

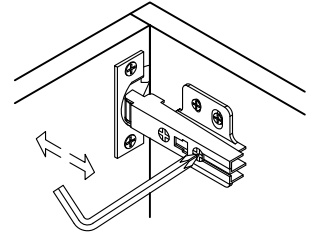
STEP 31



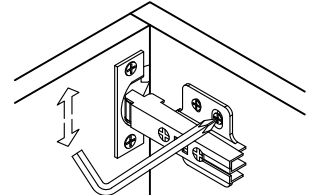
ADJUSTING POSSIBILITIES



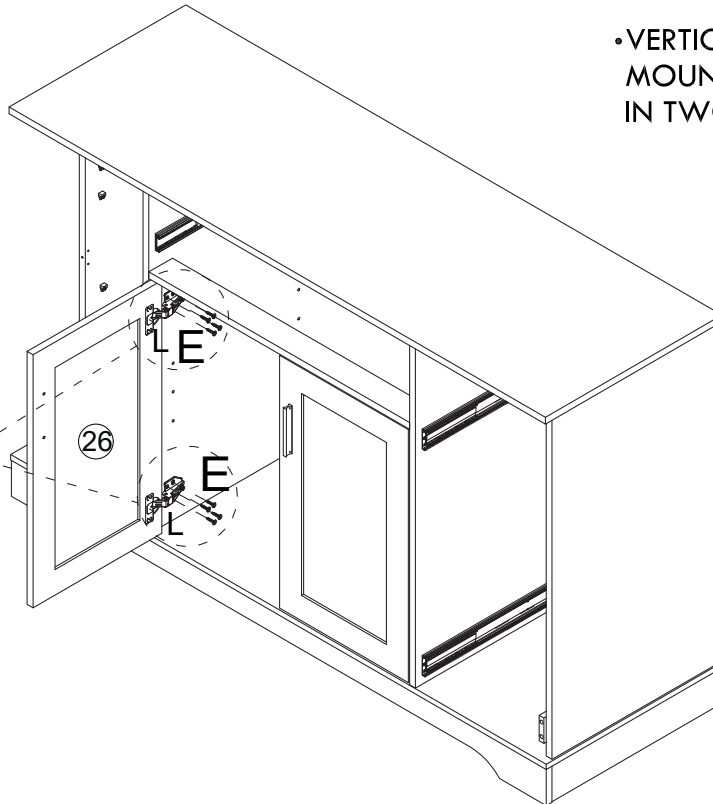
• LATERAL ADJUSTMENT BY SCREW ADJUSTMENT



• FRONT-TO-BACK BY SLACKENING THE HINGE-ARM MOUNTING SCREW



• VERTICAL ADJUSTMENT VIA MOUNTING PLATE (VIA SLOTS OR, IF IN TWO PIECES, BY SCREWS)

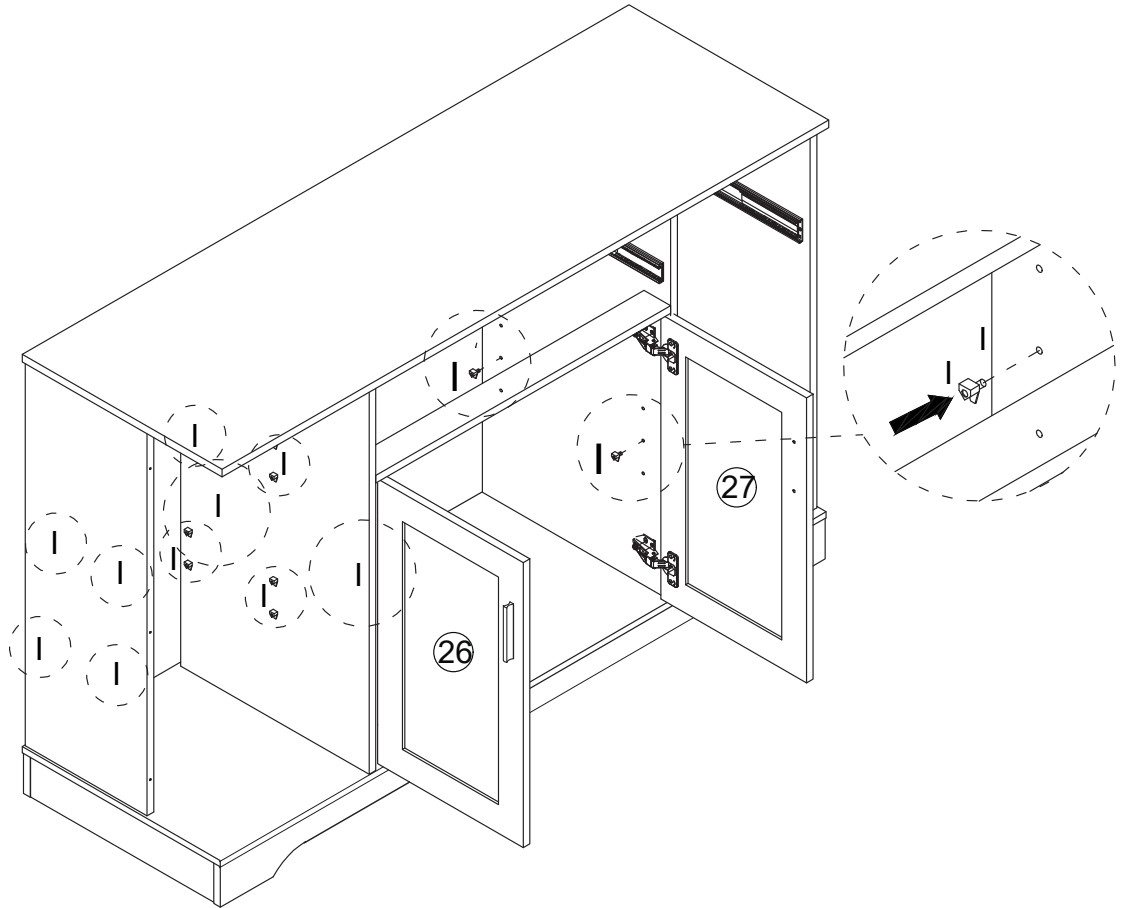


E

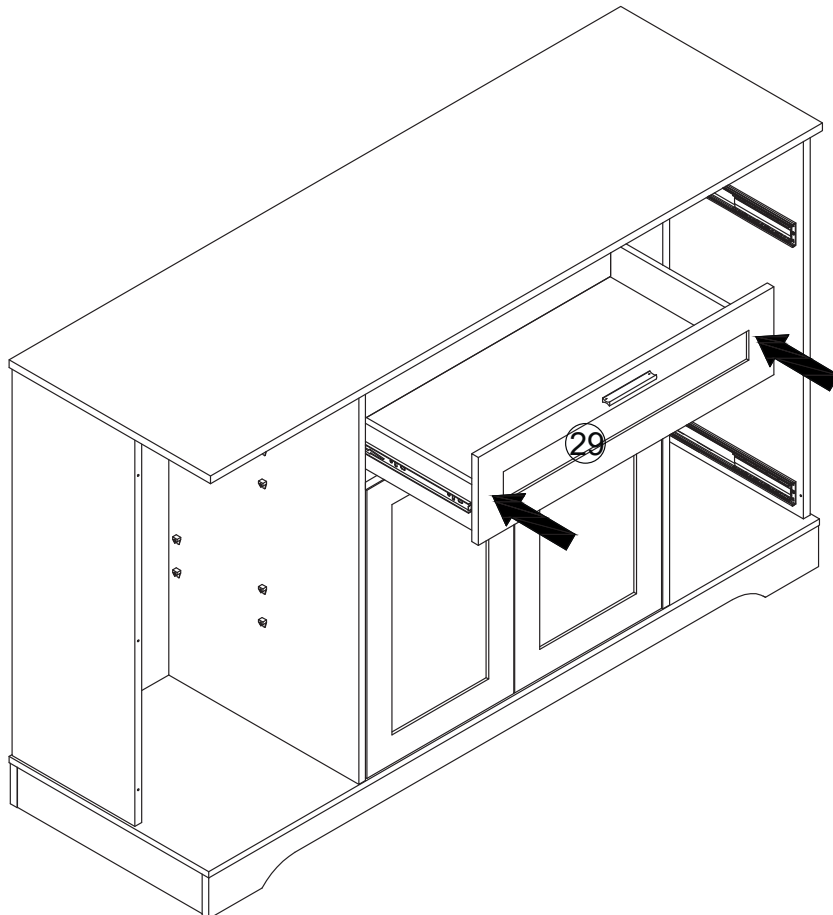


x16

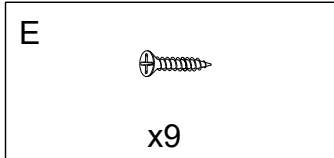
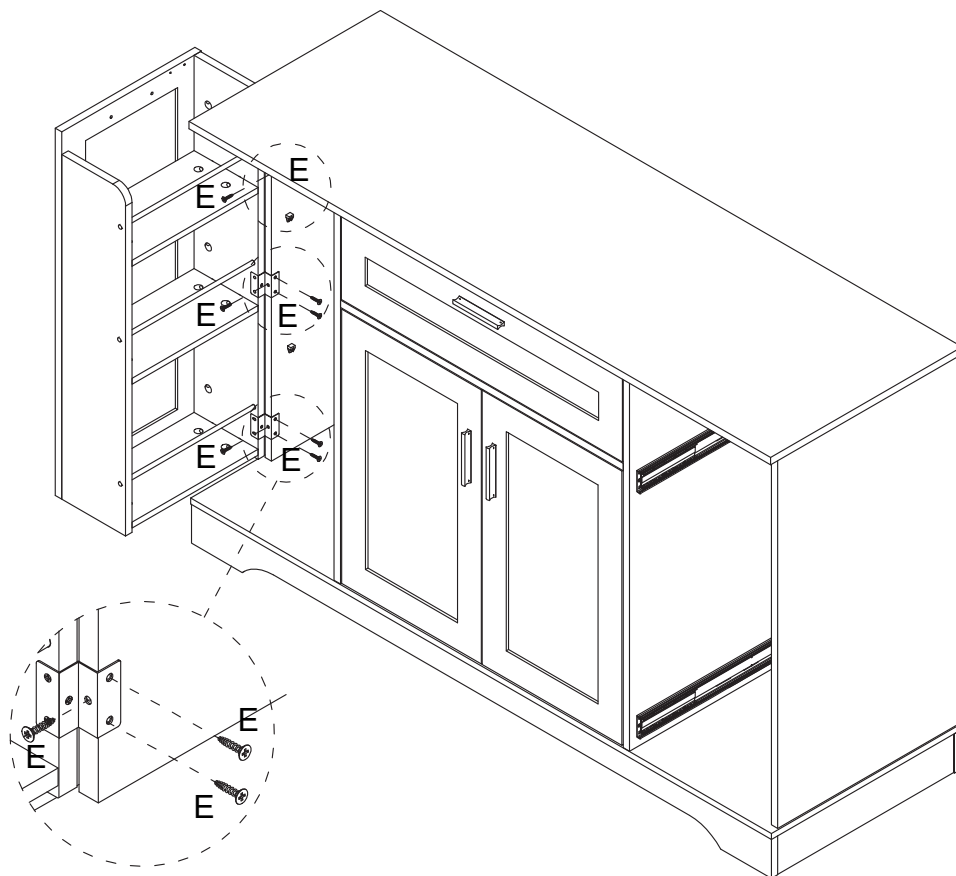
STEP 32



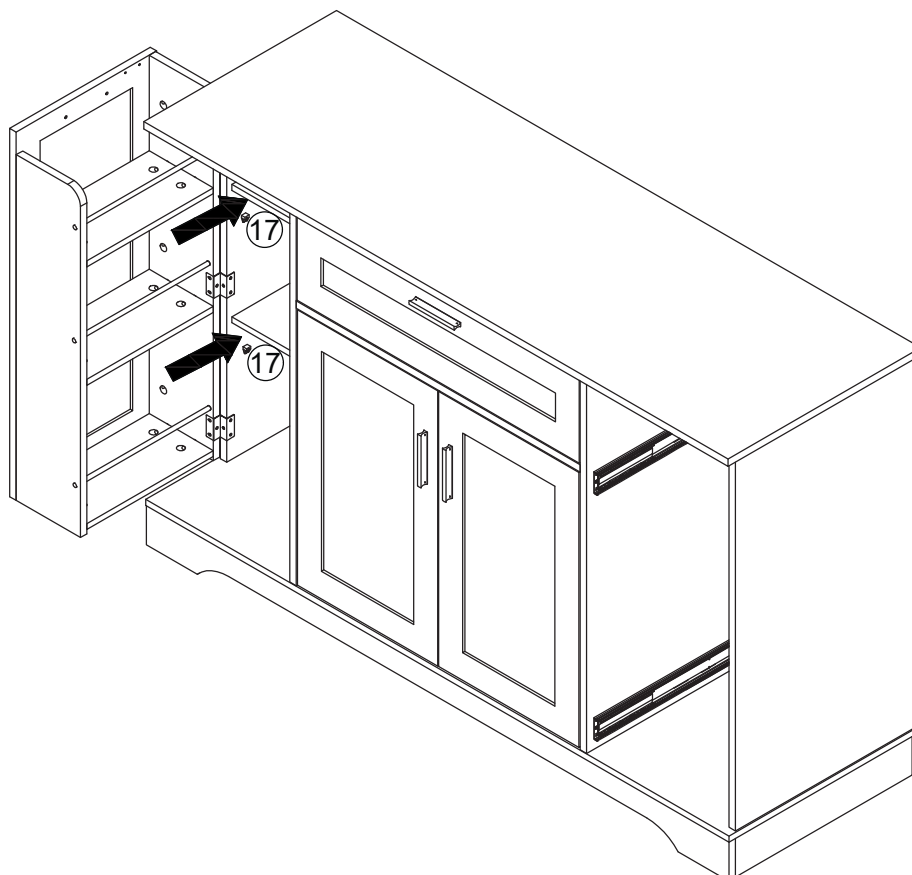
STEP 33



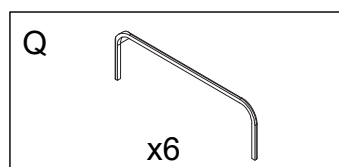
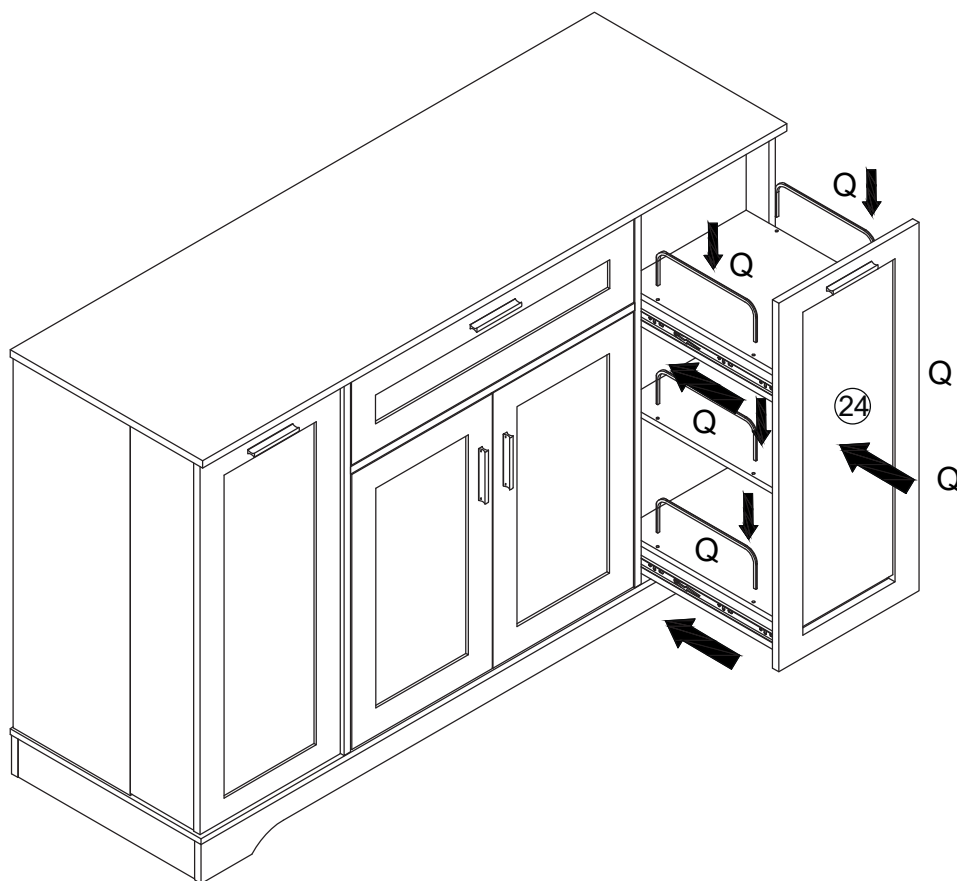
STEP 34



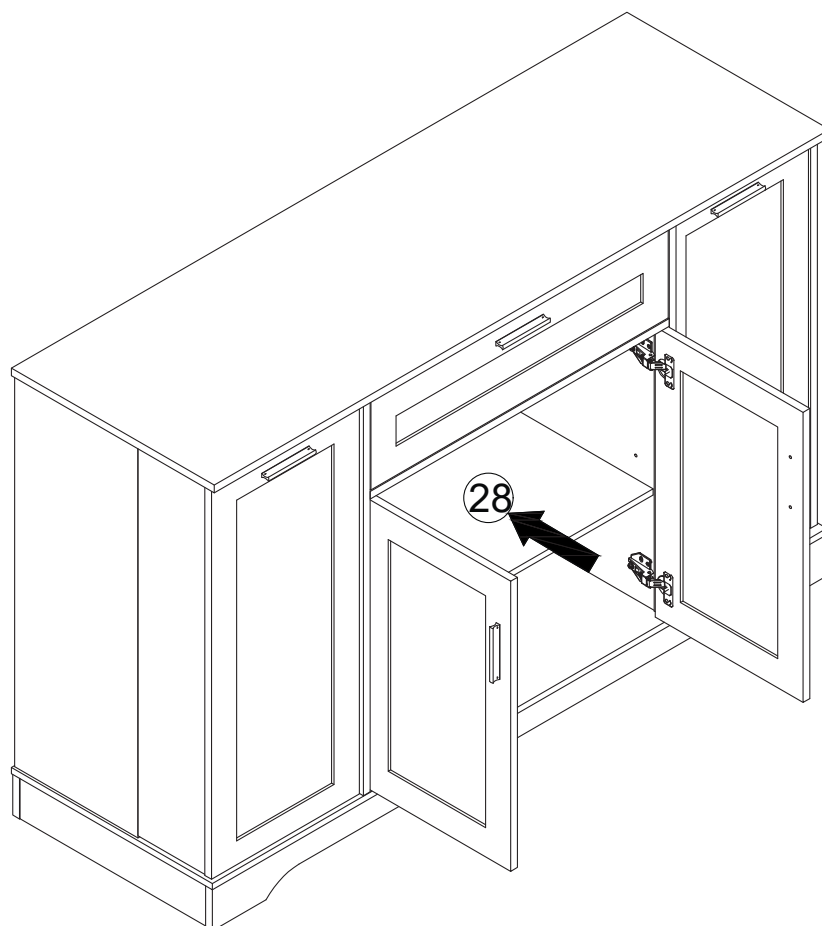
STEP 35



STEP 36



STEP 37



STEP 38

