

Features

- Integral lumbar support and armrests offer extra comfort while bathing.
- Spacious design accommodates up to two bathers.
- Center drain.
- Coordinates with other products in the Portrait collection.

Material

- Acrylic.

Installation

- Drop-in.

Recommended Products/Accessories

- K-7161-AF 1-1/2" adjustable pop-up drain above- or through-floor
- K-300-K High Flow Bath Valve
- K-24916 Wireless Music Kit
- K-1491 Bath/Whirlpool Pillow
- K-1601 Bath/whirlpool footstop, removable
- K-7213 27" Cable Bath Drain
- K-7214 27" Cable Bath Drain
- K-7265 Brass toe tap bath drain
- K-6905-4 Bath Faucet
- K-T125-3 Bath Faucet Trim
- K-T125-4 Bath Faucet Trim
- K-T125-9B Bath Faucet Trim
- K-T16119-4 Bath Faucet Trim
- K-T16119-4A Bath Faucet Trim
- K-T16122-4 Bath Faucet Trim
- K-T16122-4A Bath Faucet Trim
- K-T6906-4 Bath Faucet Trim
- K-23726 Drain treatment
- K-23732 Tub & shower cleaner



Codes/Standards




- CSA B45.5/IAPMO Z124
- ASTM E162
- ASTM E662

KOHLER® Plastic Baths and Receptors Lifetime Limited Warranty

See website for detailed warranty information.

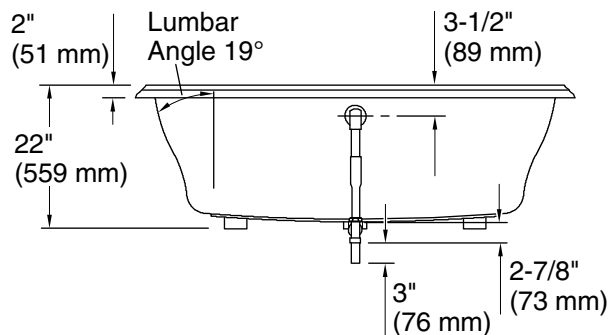
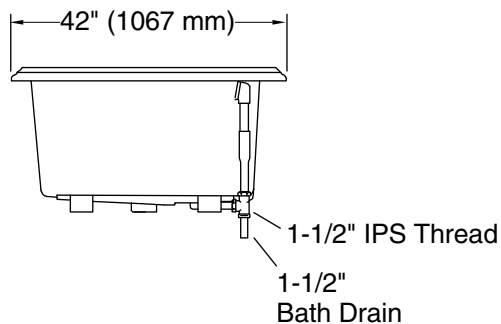
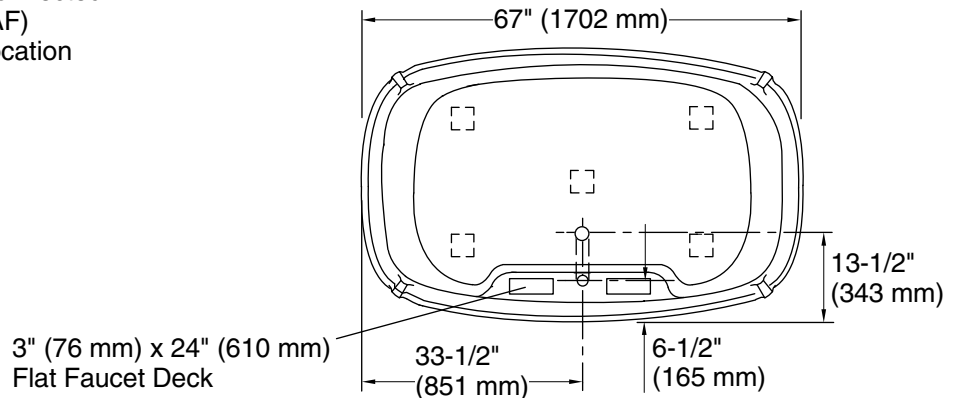
Available Colors/Finishes

Color tiles intended for reference only.

Color	Code	Description
	0	White
	96	Biscuit
	47	Almond

No change in measurement if connected with drain illustrated. (K-7161-AF)

□ Recommended Faucet Location



Technical Information

All product dimensions are nominal.

Installation:	Drop-in
Drain location:	Center
Basin area, bottom:	50" x 29" (1270 mm x 737 mm)
Basin area, top:	61" x 32" (1549 mm x 813 mm)
Weight:	80 lbs (36.3 kg)
Minimum floor load:	47 lbs/ft ² (229.5 kg/m ²)
Water depth:	16" (406 mm)
Water capacity:	98 gal (371 L)
Template:	Drop-in, 113311-7, required, included

Notes

Measure your actual product for rough-in details.

Install this product according to the installation instructions.

The hot water supply should be 70% of the capacity of the bath or greater. Installations will vary.

If installing a rim-mount faucet, make sure there is no interference above or below the deck before drilling any holes.