

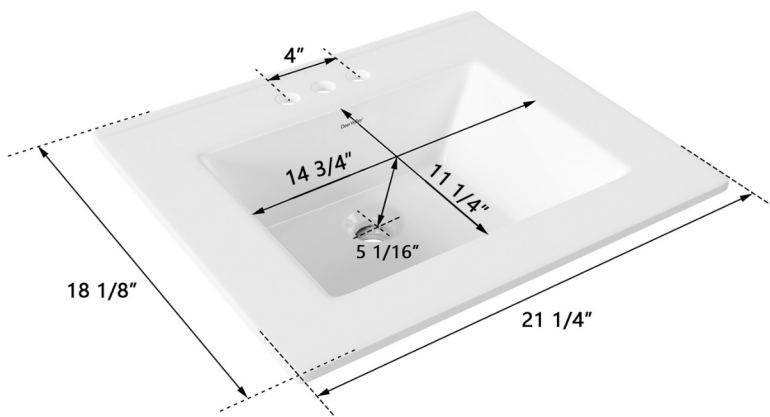


FEATURES

- High-Temperature Fired Fireclay
- Scratch, Stain & Fade Resistant
- Smooth & Non-Porous Surface
- Easy to Clean & Maintain
- Seamless Modern Design
- Curved Bottom for Better Drainage
- Front Overflow Design
- Compatible with 4" Centerset Faucets

SPECIFICATIONS

- Material: Fireclay
- Outer Dimensions: 21 1/4" × 18 1/8" × 7 3/16"
- Inner Dimensions: 14 3/4" × 11 1/4" × 5 1/16"
- Drain Hole Diameter: 1 3/4"
- Overflow Included: Yes
- Countertop Edge Width: 4 5/16"
- Faucet Hole Spacing: 4"
- Basin Shape: Rectangular
- Weight: 19.85 lbs



PACKAGE CONTENTS

- Bathroom Sink × 1
- Cutout Template × 1
- Instruction Manual × 1

INSTALLATION

- Drop-in Installation

COLOR



White

