

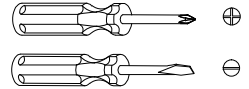
# ASSEMBLY INSTRUCTIONS

ASSEMBLY  
REQUIREMENTS

2 Hours  
Assembly Time  
(Approximate)

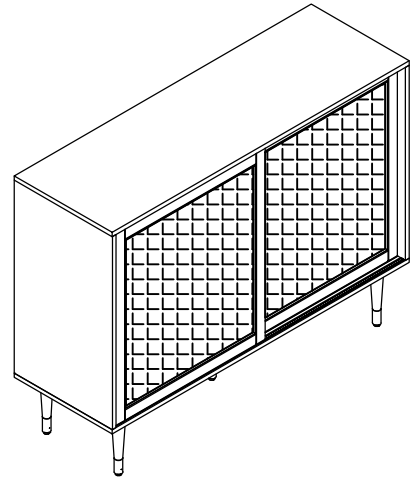
1-Person  
Assembly

Tools Required:  
(Not Provided)



## Thank you for purchasing our product!

Please refer and use this assembly instruction to assemble the product. Contact our customer service department in case there are any missing or damage parts or hardware. Replacement parts are normally shipped within 2 or 3 days.



## ASSEMBLY PREPARATION

1. Remove all packaging materials, staples and packing straps from the carton.
2. Refer to Parts List and Hardware List, and ensure parts and hardware are correct before assembly.  
Contact customer service for missing parts.
3. Place all wooden parts on a clean, flat and soft surface (e.g. carpet or rug) to prevent scratch and damage to parts.

## SAFETY PRECAUTION

1. KEEP ALL HARDWARE PARTS OUT OF REACH OF CHILDREN.
2. DISPOSE PLASTIC PACKAGING MATERIAL IMMEDIATELY TO AVOID ANY RISK OF SUFFOCATION TO CHILDREN AND ANIMALS.

## TIPS FOR ASSEMBLY

1. Allow ample room for assembly and in close proximity to where product will be placed.
2. Assemble the product on a surface that does not scratch or damage the exterior gloss and finish of the furniture.
3. Identify all of the parts, hardware and quantities required for each step.
4. During assembly, do not over-tighten any fittings as this may cause damage.
5. DO NOT USE POWER TOOLS TO ASSEMBLE THIS PRODUCT.
6. Always place the product on a flat, level surface.
7. Do not sit or stand on the partially assembled product; only use the product for which it is intended.

## CARE AND MAINTENANCE

- Use a slightly damp cloth to clean the product. Do not use bleach or abrasive cleaning material.
- Check all the fittings periodically and re-tighten as necessary. Do not use the product if any of the parts is damaged or broken.
- Never allow any kind of liquid to remain on your furniture. Absorption can cause wood to warp or delaminate.
- Do not place hot items (e.g. hot drinks) directly onto the wood surface.
- Do not drag and/or pull the furniture.

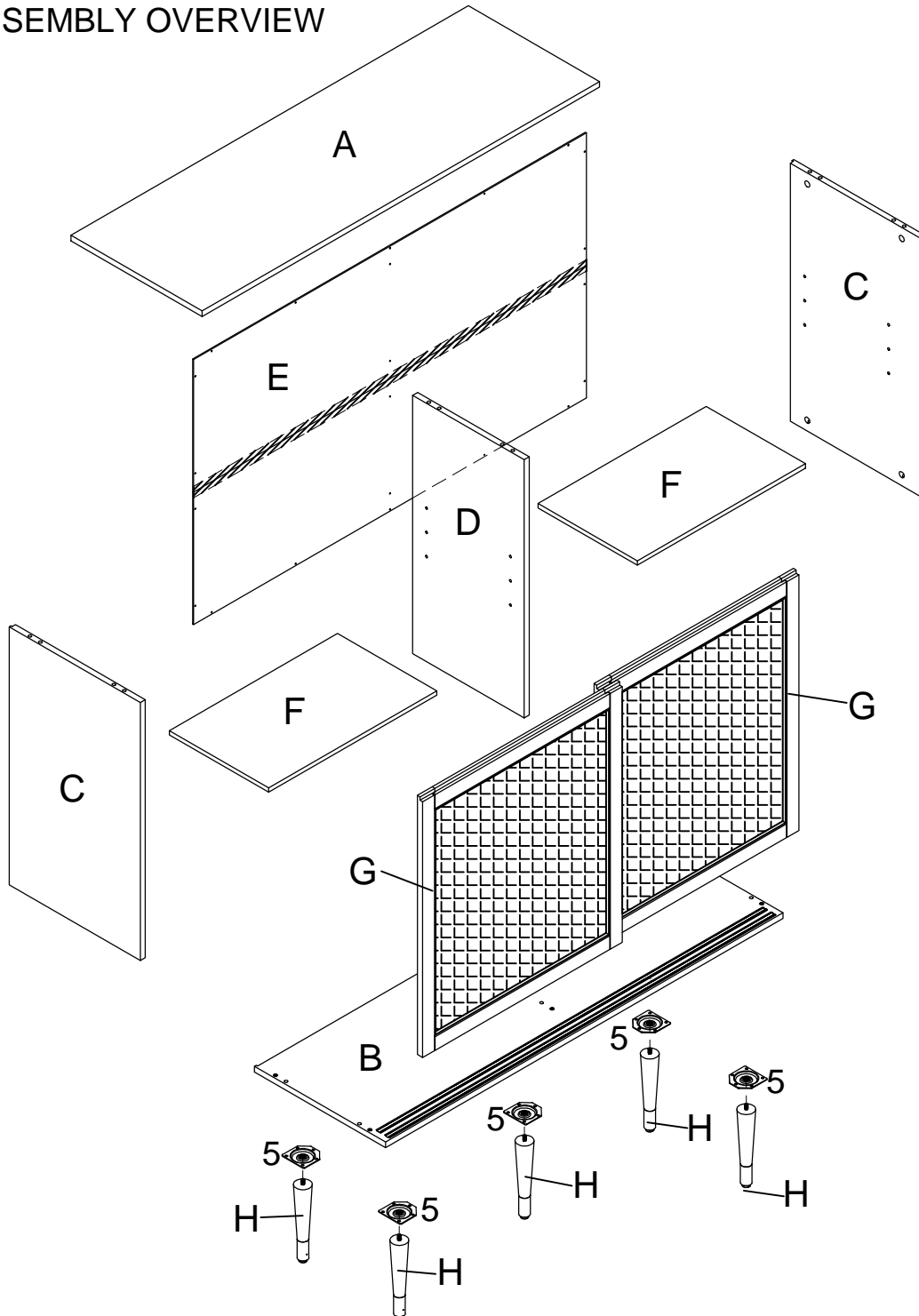
This product is for indoor and household use only - not for commercial use.

# ASSEMBLY INSTRUCTIONS

## PARTS LIST




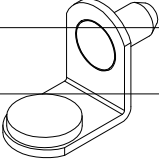
NO.	PART NAME	QTY	NO.	PART NAME	QTY
(A)	Top	1	(E)	Back Panel	1
(B)	Bottom Panel	1	(F)	Shelf Panel	2
(C)	Side Panel	2	(G)	Door	2
(D)	Middle Panel	1	(H)	Leg	5

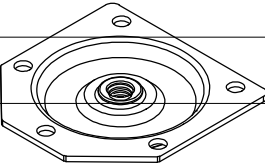
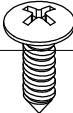
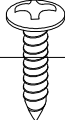
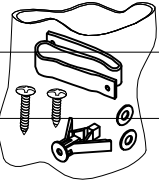
## ASSEMBLY OVERVIEW



# ASSEMBLY INSTRUCTIONS

## HARDWARE LIST

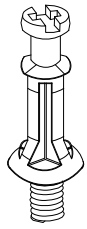
				3CM
12X ø6*35mm <b>1</b> Cam-bolt	12X ø8*30mm <b>2</b> Wood Dowel	12X ø15*12mm <b>3</b> Cam-lock	8X ø6.5mm <b>4</b> Shelf Holder	2CM
				1CM
				0CM

				3CM
5X 68*68*7mm <b>5</b> Iron Leg Base	25X ø4*13mm <b>6</b> Screw	22X ø3*15mm <b>7</b> Screw	1 SET <b>8</b> Safety Strap Kit	2CM
				1CM
				0CM

## EXTRA HARDWARE

		
ø6*35mm 1PC Cam-bolt	ø15*12mm 2PCS Cam-lock	ø8*30mm 2PCS Wood Dowel

# INSTRUCTIONS FOR CAM-BOLT & CAM-LOCK

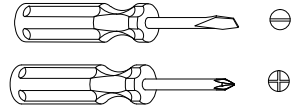


CAM-BOLT

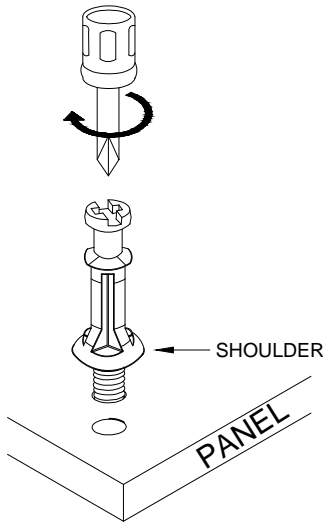


CAM-LOCK

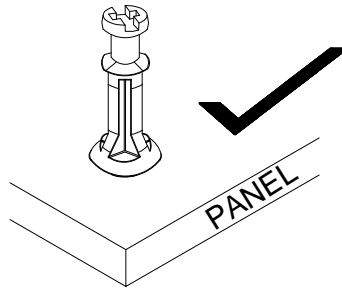
## Tools Required



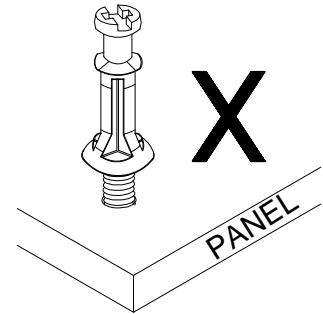
## INSERTING AND TIGHTENING CAM-BOLT



Place Cam-bolt on pre-drilled hole and screw in vertically



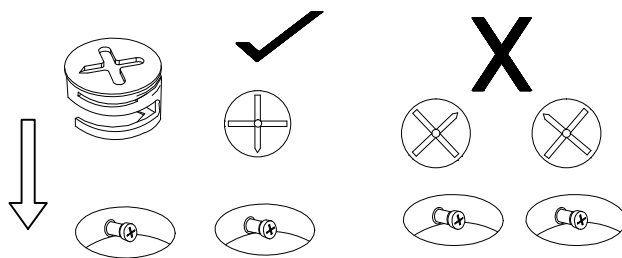
Shoulder is flushed (on the same level) with the panel.



Shoulder is above the panel.

Place Cam-bolt on the designated pre-drilled holes on the panel. Use a Phillips Screwdriver to screw-in Cam-bolt vertically until shoulder is flushed (on the same level) with panel.

## INSERTING CAM-LOCK



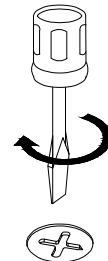
Insert Cam-lock with arrow align to Cam-bolt head

CORRECT

WRONG

Align the arrow on the Cam-lock to the Cam-bolt head and insert the Cam-lock. Ensure Cam-lock is fully inserted.

## TIGHTENING CAM-LOCK

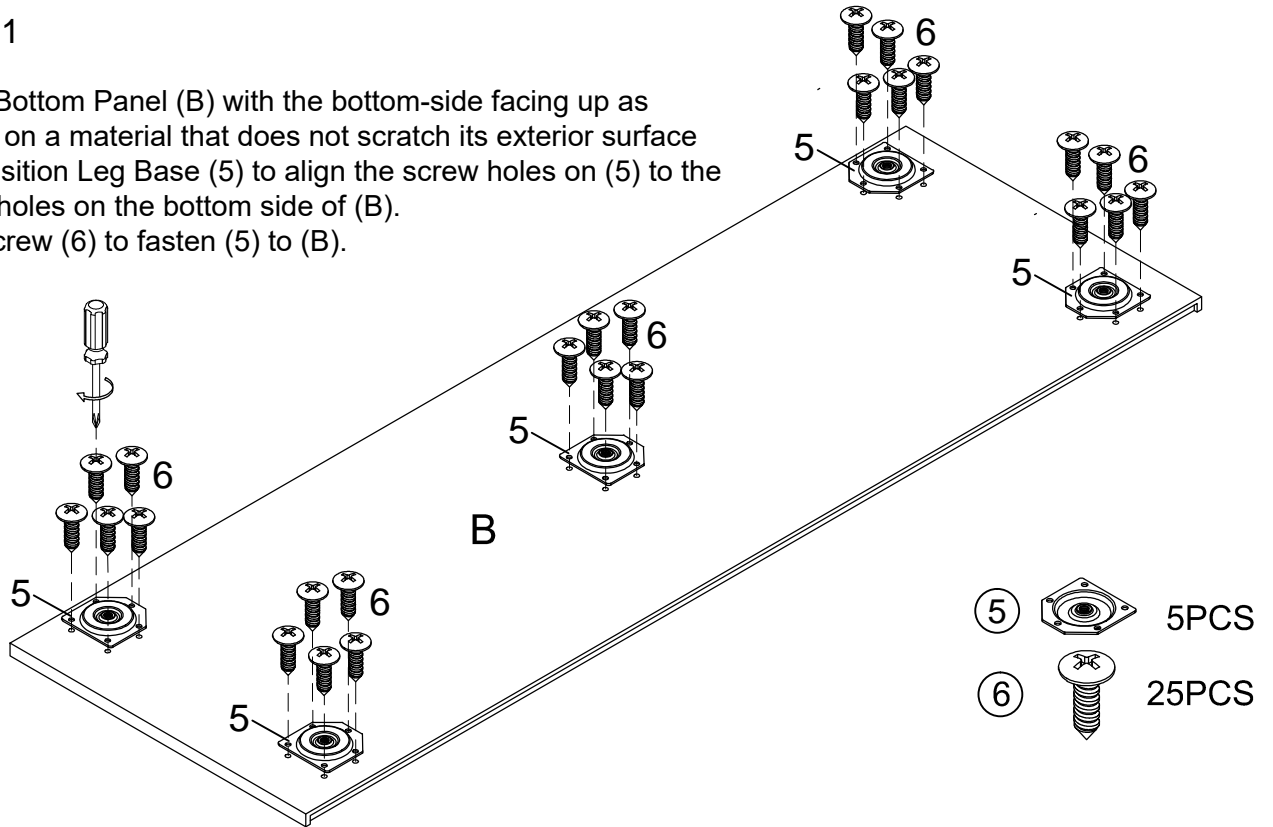


Use a Flat-head Screwdriver to turn Cam-lock clockwise so it locks onto the head of the Cam-bolt. Turn until it is snug (about 3/4ths of a turn) -- over-tightening could damage Cam-lock or/and Cam-bolt.

# ASSEMBLY INSTRUCTIONS

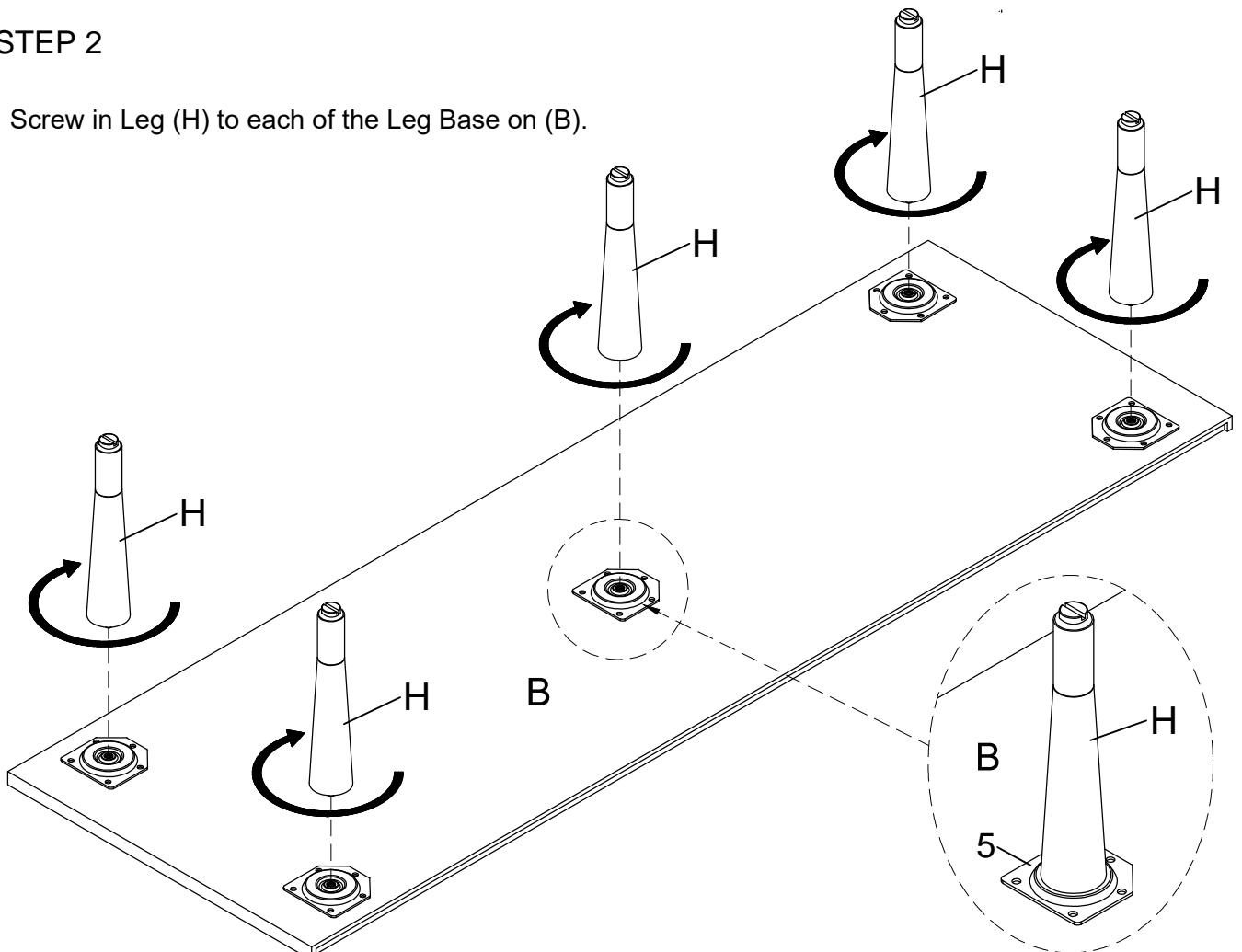
## STEP 1

- Place Bottom Panel (B) with the bottom-side facing up as shown on a material that does not scratch its exterior surface and position Leg Base (5) to align the screw holes on (5) to the screw holes on the bottom side of (B).
- Use Screw (6) to fasten (5) to (B).



## STEP 2

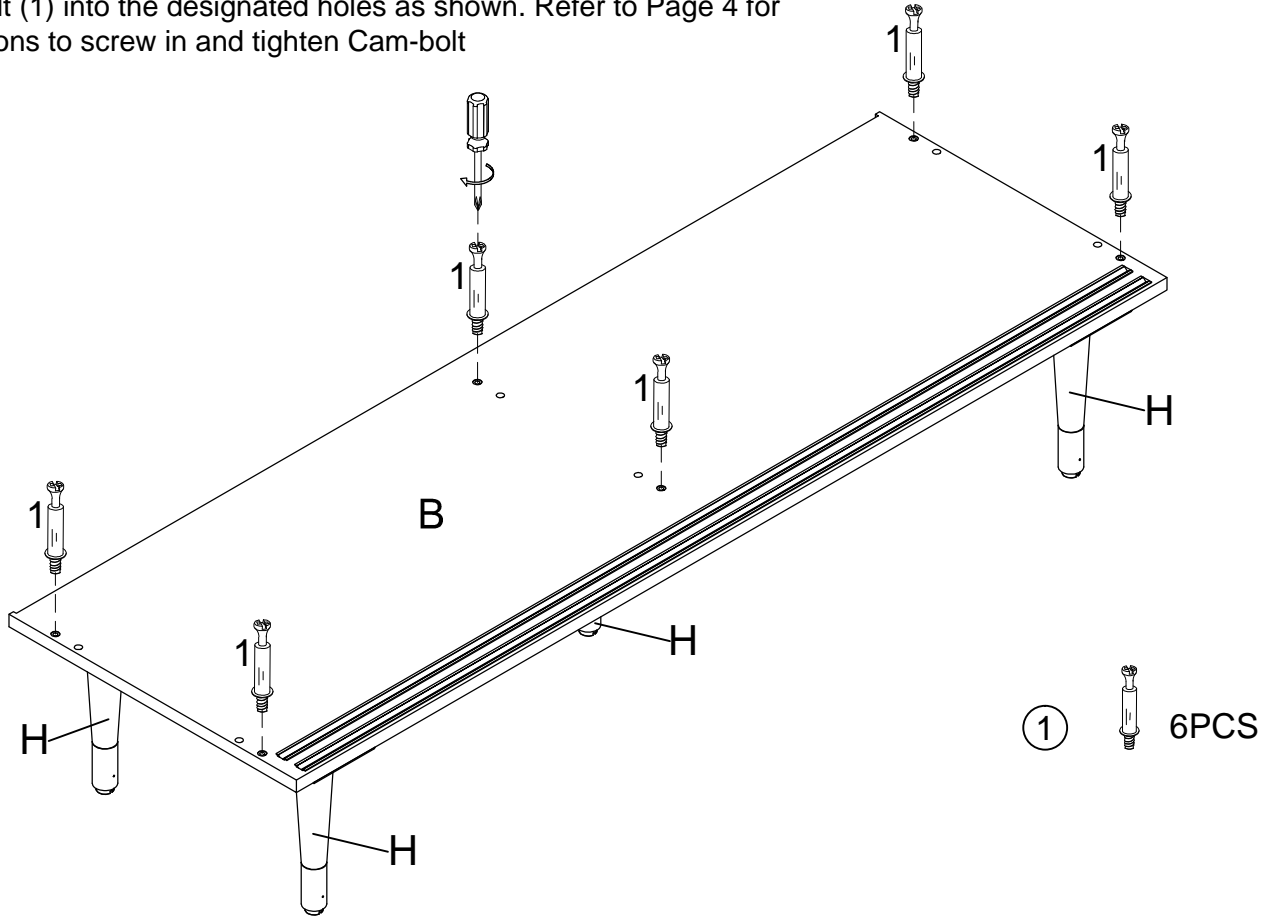
- Screw in Leg (H) to each of the Leg Base on (B).



# ASSEMBLY INSTRUCTIONS

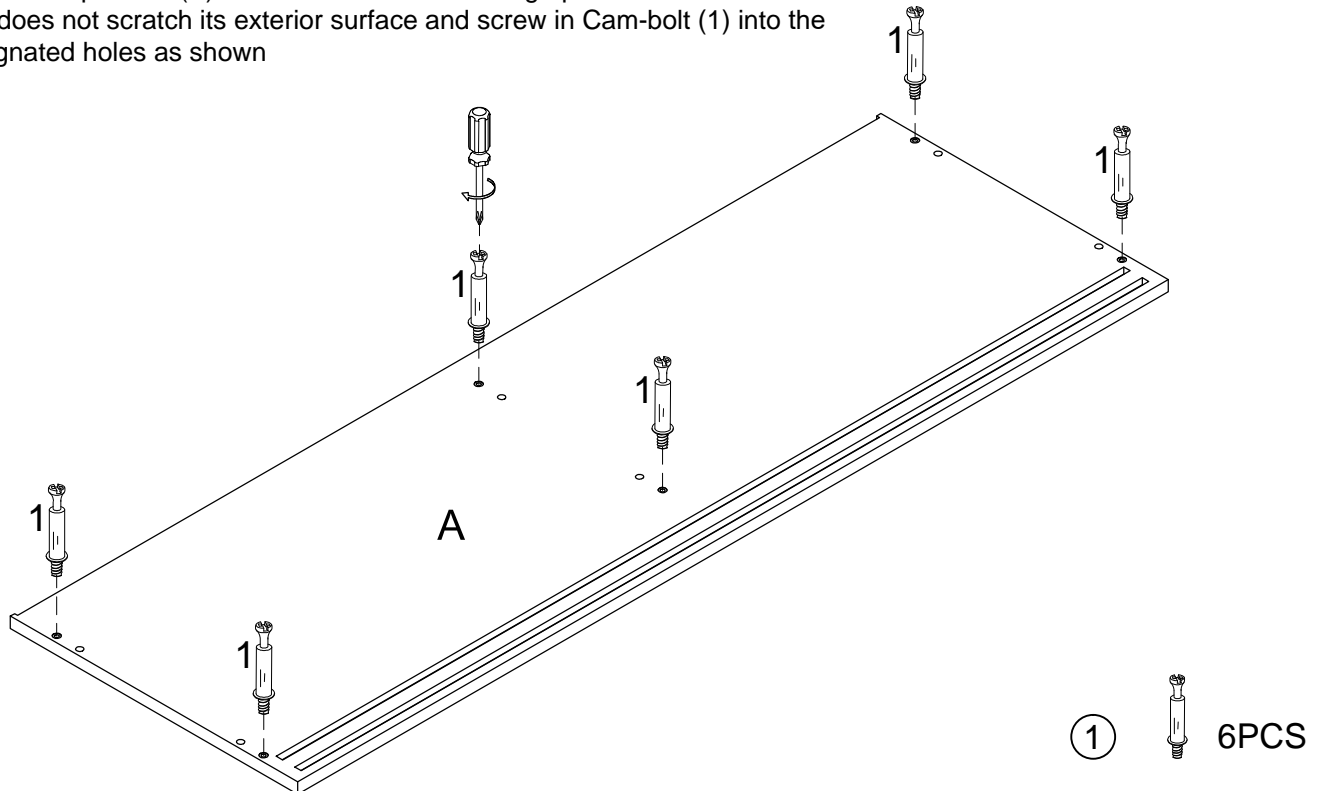
## STEP 3

Set Bottom Panel assembly from STEP 2 right-side up and screw in Cam-bolt (1) into the designated holes as shown. Refer to Page 4 for instructions to screw in and tighten Cam-bolt



## STEP 4

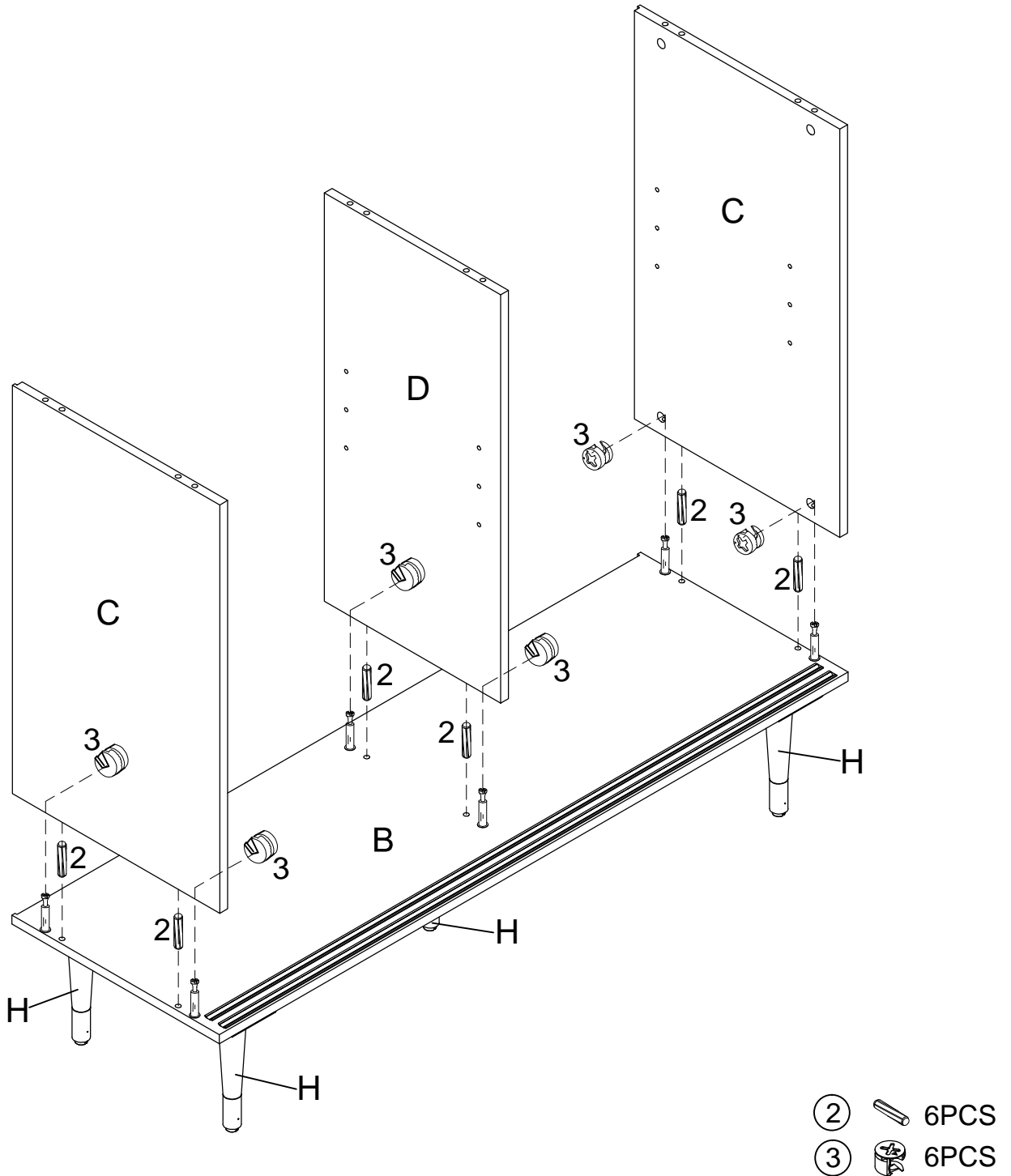
a) Place Top Panel (A) with the bottom-side facing up as shown on a material that does not scratch its exterior surface and screw in Cam-bolt (1) into the designated holes as shown



# ASSEMBLY INSTRUCTIONS

## STEP 5

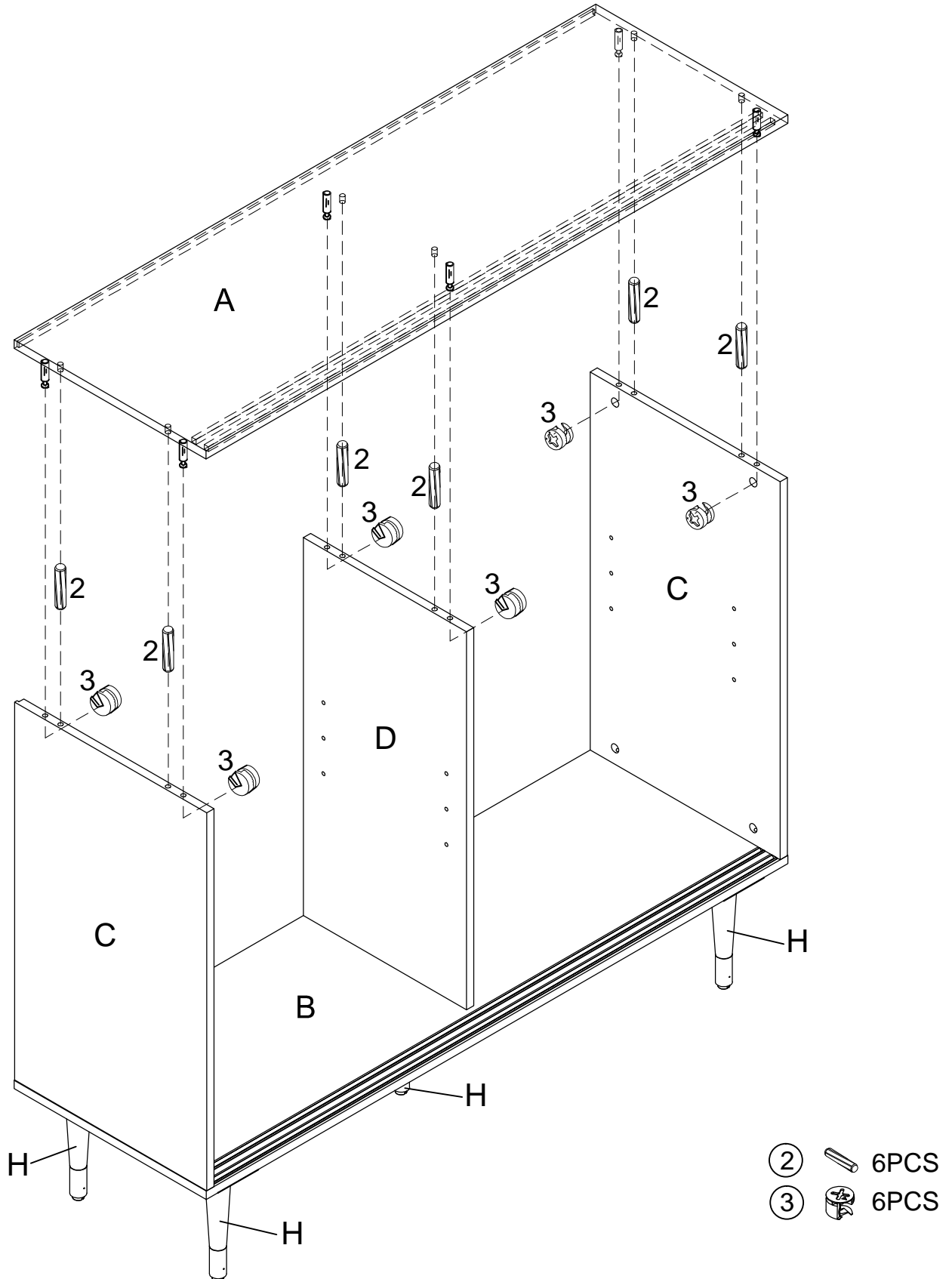
- a) Insert Wood Dowel (2) into the designated inner holes on the Bottom Panel (B) as shown.
- b) Attach Side Panels & Middle Panel (C & D) to (B) via wood dowel and cam-bolt - note the orientation of the panels.
- c) Insert Cam-lock (3) into designated holes on (C & D) and turn clockwise to lock onto cam-bolt.  
Refer to Page 4 for instructions to insert and tighten cam-lock.



## ASSEMBLY INSTRUCTIONS

### STEP 6

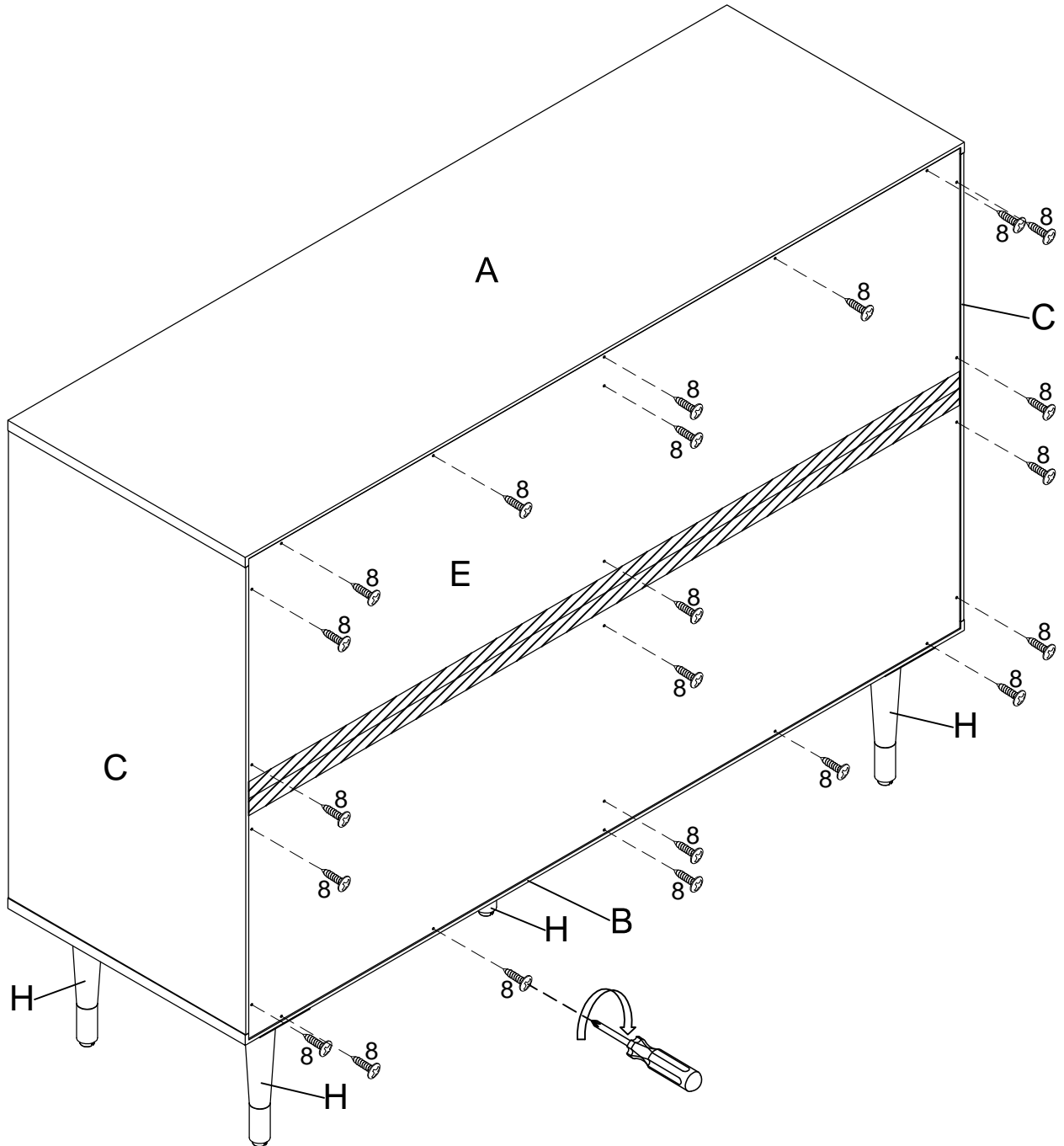
- Insert Wood Dowel (2) into the inner holes on the top edge of Side Panels & Middle Panel (C & D).
- Attach Top Panel (A) from STEP 3 to (C & D) via cam-bolt and wood dowel on the respective parts
- Insert Cam-lock (3) into designated holes on (C & D) and turn clockwise to lock onto cam-bolt.



# ASSEMBLY INSTRUCTIONS

## STEP 7

With assistance, fit Back Panel (E) squarely to the back edge of Side, Top and Bottom Panel and fasten with Screw (8). Use a Phillips screwdriver to drive and tighten (8).

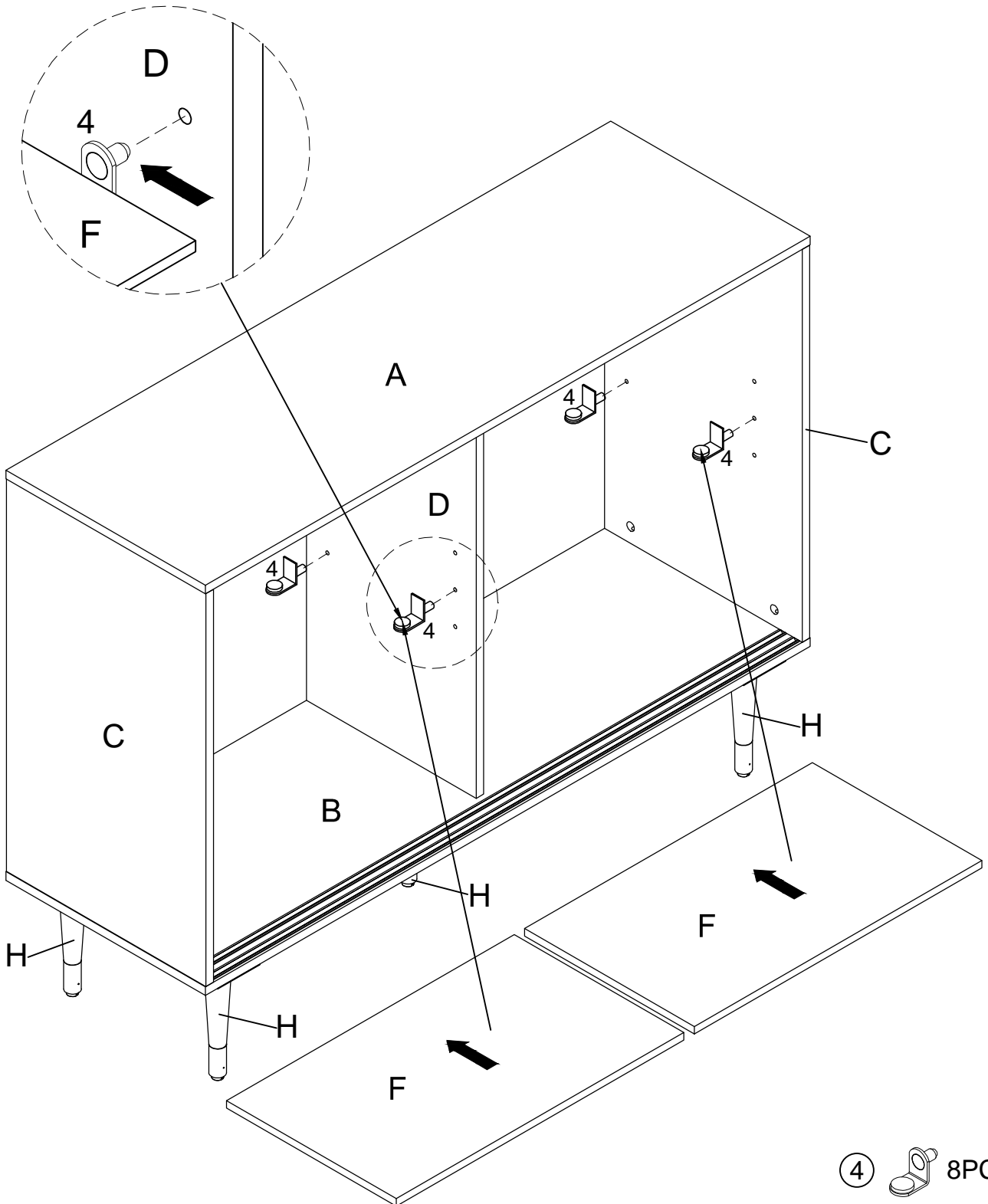


⑧  22PCS

# ASSEMBLY INSTRUCTIONS

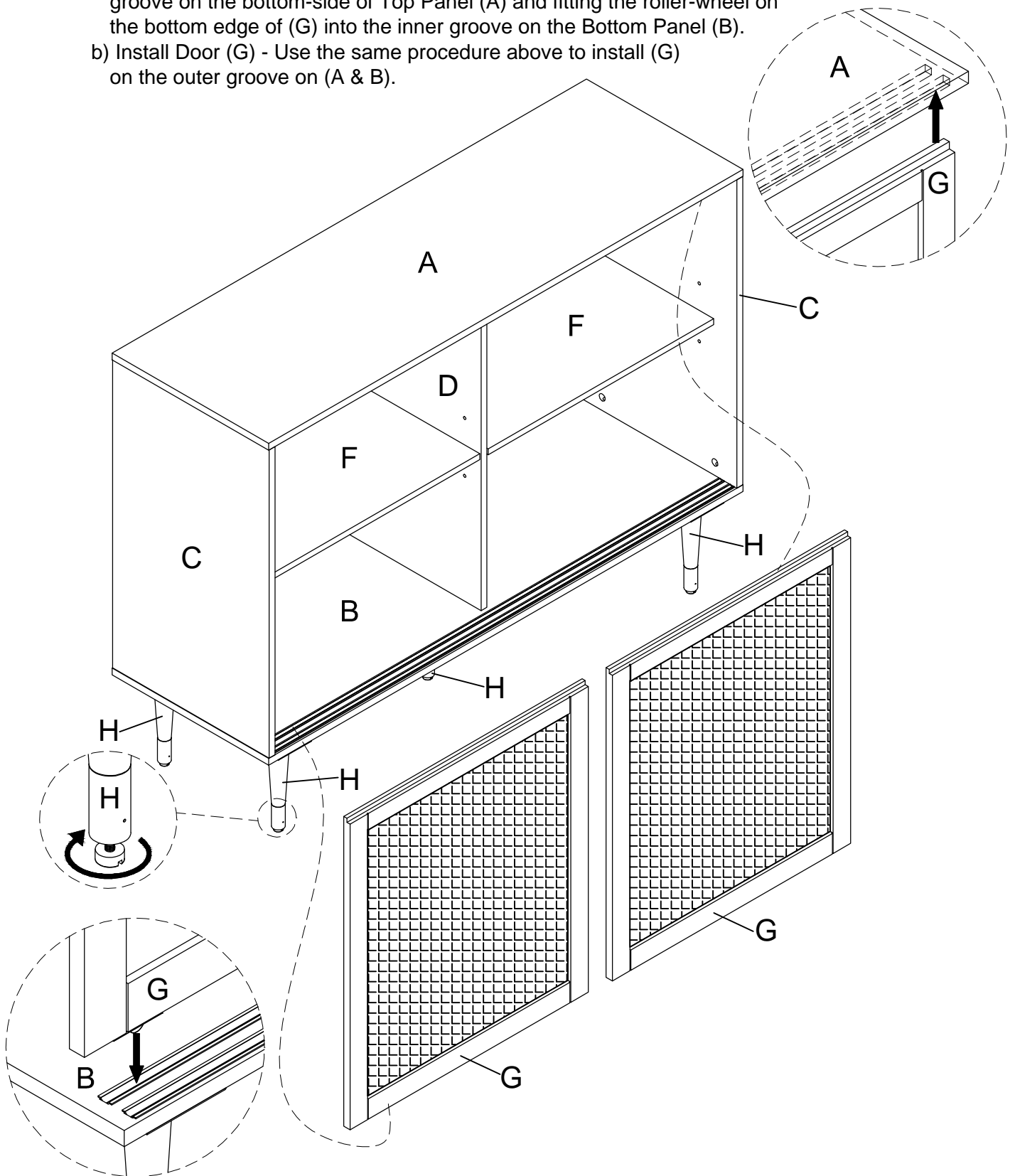
## STEP 8

- Insert Shelf Holder (4) into the designated holes on the same level at the desired height on the Side and Middle Panels (C & D) and (D & C).
- Place Shelf Panel (F) by tilting it to fit between the panels and then level it to sit on (4).




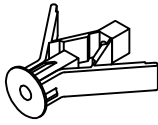



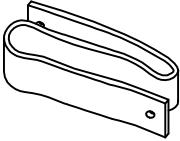
## ASSEMBLY INSTRUCTIONS

- STEP 9** a) Install Door (G) by fitting the top lap-edge of (G) door into the inner groove on the bottom-side of Top Panel (A) and fitting the roller-wheel on the bottom edge of (G) into the inner groove on the Bottom Panel (B).
- b) Install Door (G) - Use the same procedure above to install (G) on the outer groove on (A & B).



Note: It is important to adjust the levelers on the bottom of Leg (H) when the unit is fully assembled and placed upright. Always extend the adjustable leveler until it is firmly on the floor.  
Important: Safety strap kit (part #8) must be installed to prevent tip-over which may cause damage and/or injury.

## ASSEMBLY INSTRUCTIONS

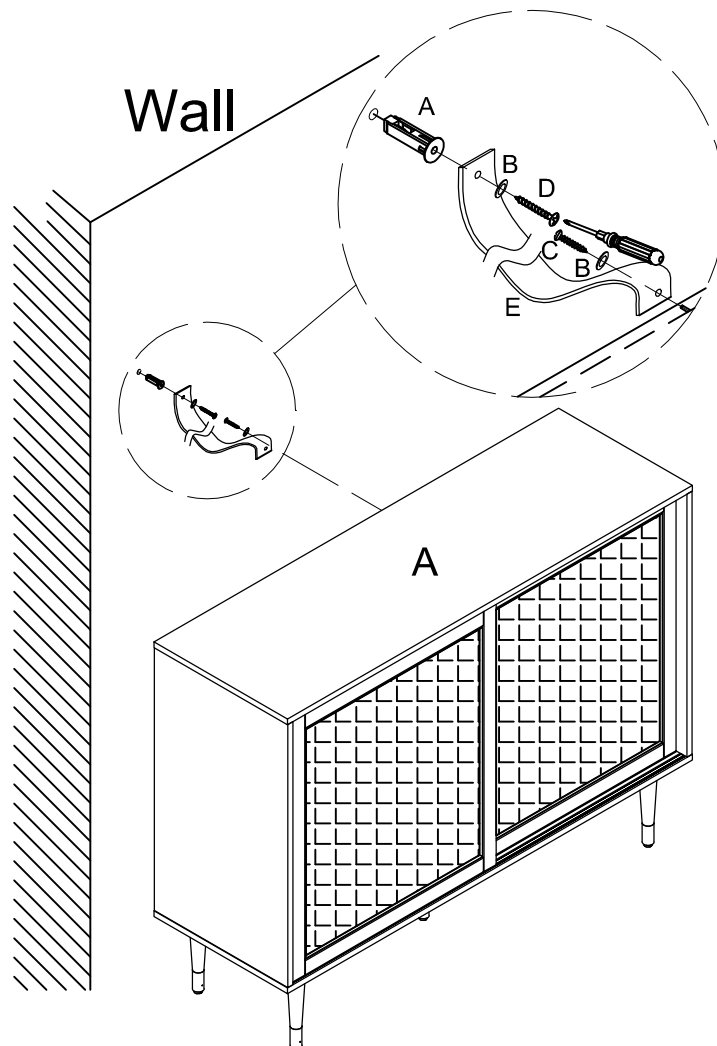
#8	A	B	C	D	E
			 D8*3/4"	 D8*1-1/2"	
Safety Strap Kit	Wall Anchor	Washer	Short Screw	Long Screw	Safety Wall Strap
1 SET	1 PC	2 PCS	1 PC	1 PC	1 PC

### SAFETY WALL STRAP INSTALLATION

It is highly recommended to install the safety strap to prevent tip-over which can cause damage and /or injury.

1. Insert Short Screw (C) through Washer (B) and Safety Strap (E) to screw onto the Back edge of Top Panel (A). Use a Phillips screwdriver to drive (C).
2. Drill a 11/32" hole at the location to secure the unit. The drilled hole has to level with safety strap on the back edge of (A). Next, fit Wall Anchor (A) into the drilled hole.
3. Insert Long Screw (D) through Washer (B) and Safety Strap (E) to screw into Wall Anchor (A). Use a Phillips screwdriver to drive (D).

Note: This item is not designed to store clothing.



The assembly of the buffet unit is complete.