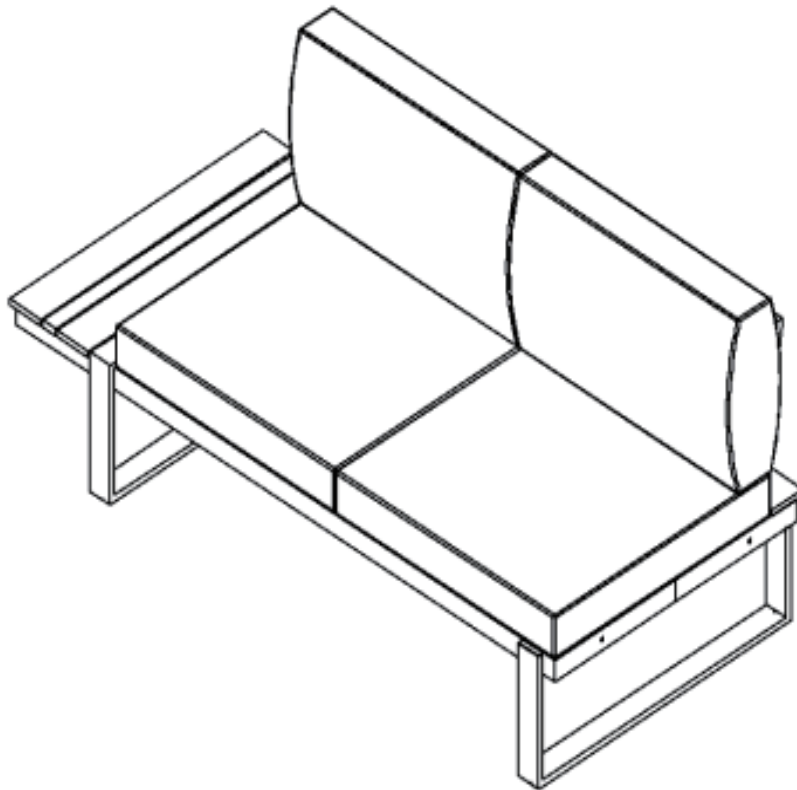


ASSEMBLY INSTRUCTION

STERLING LEFT ARM SOFA SEATER











68035.00FGRY


1. 50% Tighten before fixing all screws, Allen wrench is recommended instead of an electric drill.
2. Place the item on a flat ground to adjust and make sure it remains stable.
3. Tighten up all screws with tools gradually.
4. If the screws are not aligned with holes during assembly, please loosen all the other screws to 50% and continue the assembly process.
5. If the item is not stable, please loosen all the screws, adjust it on a flat ground and tighten up all screws again.
6. Note : If one or some screws are fully tightened during assembly, chances are the others will not be aligned with holes. In addition, all the holes are designed to be relatively larger to provide more space for the adjustment of the screws.

Assembly Instructions

Caution : You must read this before you proceed

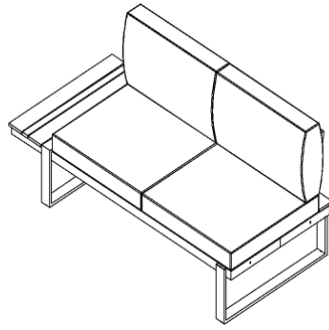
Care & Maintenance

- ⊘  ● Not for commercial use. For residential use only.
- ⊘  ● Do not put hot items directly on furniture surface.
- ⊘  ● Do not clean furniture with harsh cleansers or polish.
- ✓  ● To obtain the longest lifespan of your outdoor products, minimizing exposure to direct sunlight is recommended.
- ⊘  ● Children should not climb or jump on the furniture.
- ⊘  ● Do not write on furniture without a padded barrier to protect the surface.
- ✓  ● To obtain the longest lifespan of your outdoor products, avoid extended and lengthy exposure to rain, snow, and direct sunshine. Whenever possible cover the product and /or place under patio or awnings.
- ⊘  ● Stains may be removed with mild soap solution and damp cloth.


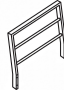
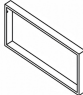
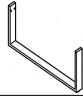
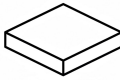
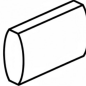
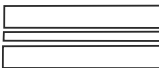
- ✓  ● Dust and pick-up spills using a clean, non-colored, lint-free cloth.

Please look in boxes for hardware packs and legs.
Sets often ship in multiple boxes and may arrive a day or two apart.







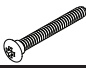
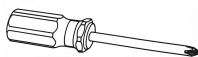
STERLING LEFT ARM



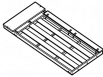

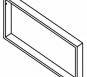
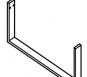
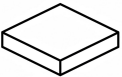
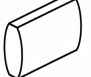
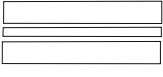


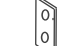




Parts List






| Label | Picture | Description | QTY |
|-------|---|----------------------------|-----|
| E |  | Left Seat Panel | 1 |
| B |  | Backrest Panel | 2 |
| C |  | Leg No 1 (Loveseat) | 1 |
| D |  | Leg No 2 (Loveseat) | 1 |
| J |  | Seat Cushion (Loveseat) | 2 |
| K |  | Back Cushion (Loveseat) | 2 |
| Q |  | Small Table Top | 1 |

Hardware

| Label | Picture | Description | QTY |
|-------|---|-------------------------------|-----|
| ② |  | Bolt(M6*35MM) | 9 |
| ④ |  | Bolt(M6*80MM) | 9 |
| ⑤ |  | Gaskets | 4 |
| ⑥ |  | Leveler | 5 |
| ⑦ |  | Iron Washer | 9 |
| ⑨ |  | Allen Wrench(4mm) | 1 |
| ⑪ |  | Screw 4x20mm | 5 |
| ⑫ |  | Screwdriver (Not Included) | |

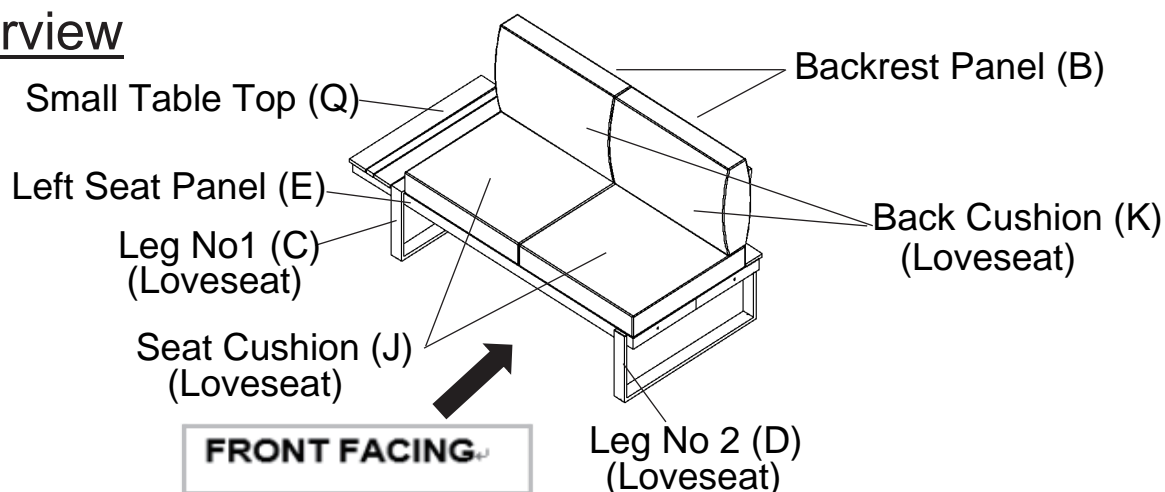
Assembly Preparation

| | | | | | | | |
|----------------------------|---|---|---|---|---|---|---|
| Before Beginning Assembly: |  |  |  |  |  |  |  |
| |  |  |  |  |  |  |  |

-  • Read instructions, cover to cover-
-  • Have 2 adults on hand for assembly-
-  • Do not assemble on flooring or carpet-
-  • Assemble on a clean non-marring surface (packing foam)-
-  • Save all packaging until finished-

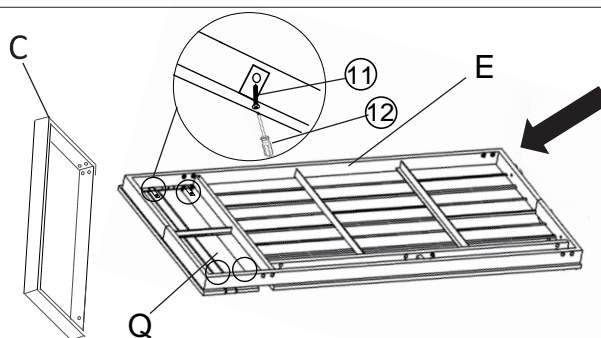
Assembly Steps

Overview



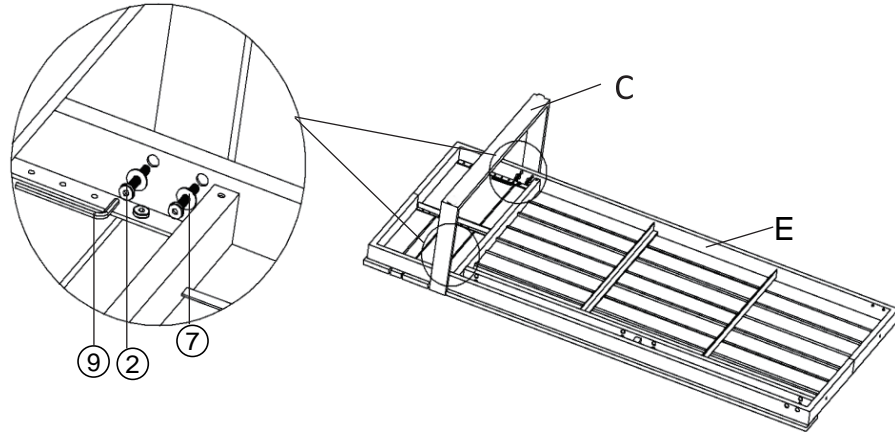
This Sofa has multiple parts and may require up to some 30 minutes to assemble. To give you an overview of the Chair parts, the above picture is to help you put the various parts into perspective. Please read through the instructions below to familiarise yourself with the parts and steps before assembly.

Step 1



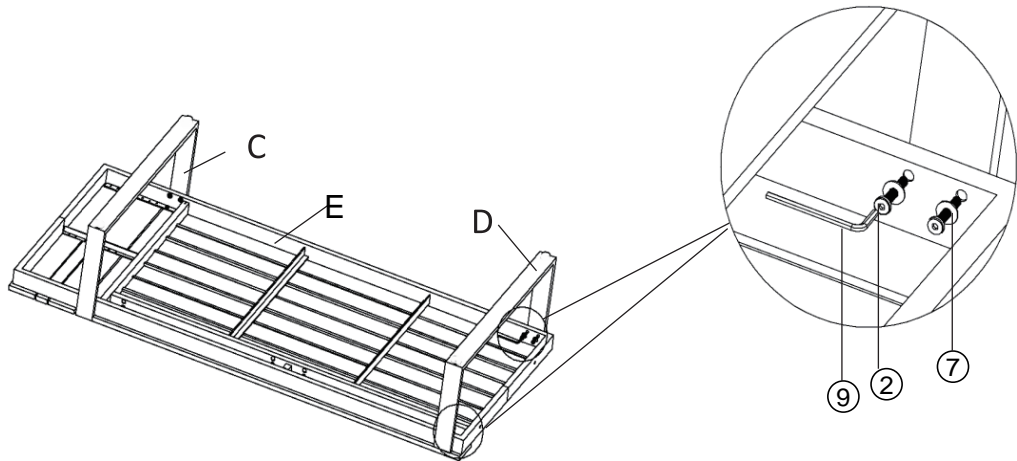
Open the carton and place all parts on a clean, non-marring surface. As shown in the figure above, tilt the Left Seat Panel (E) slightly to one side, and place the Leg No 1 (C) on the Left Seat Panel (E). Attach the Small Table Top (Q) to the Left Seat Panel (E) using Screw 4x20 (11) with the Screwdriver (12) as shown above.

Step 2



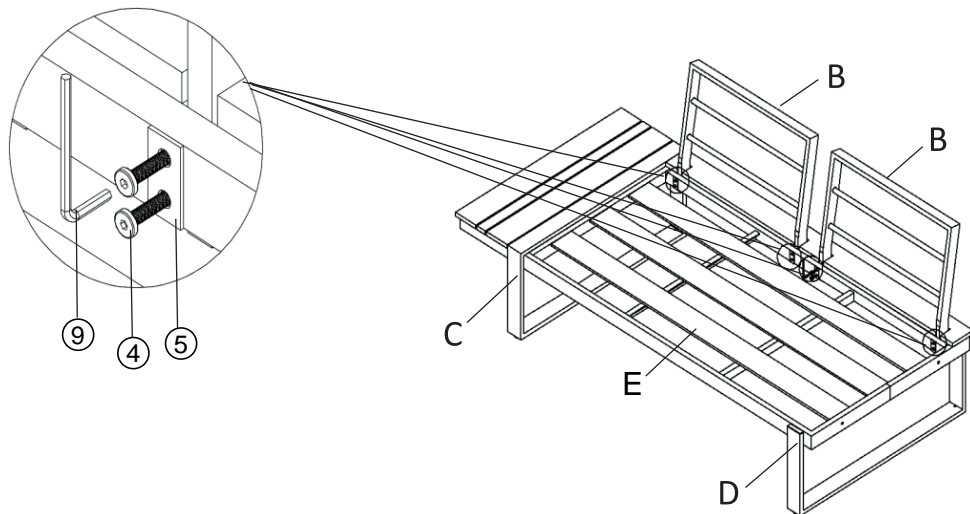
Connect the Leg No 1 (C) to the left Seat Panel (E) using Bolts (2) and Iron Washers (7) using the Allen Wrench (9) as shown above.
DO NOT fully tighten the Bolts

Step 3



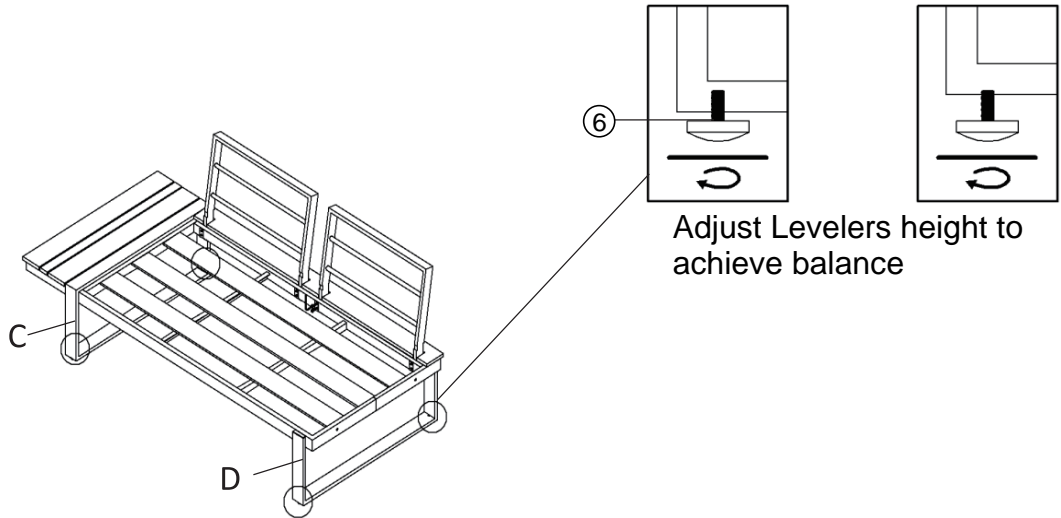
As shown in the figure above, using an Allen Wrench (9), connect the Leg No 2 (D) to the Left Seat Panel (E) with Bolts (2) and Iron Washers (7).
DO NOT fully tighten the Bolts

Step 4



Attach the Backrest Panel (B) to the Left Seat Panel (E) using Bolts ④ Gaskets ⑤ with the Allen Wrench ⑨ as shown above .
DO NOT fully tighten the Bolts

Step 5



Insert the adjusting Levelers ⑥ into the Leg No 1 (C) and the Leg No 2 (D), as shown in the figure above;

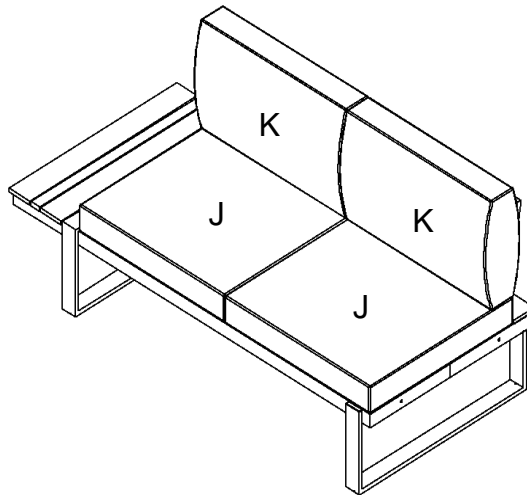
Put the sofa on the horizontal surface. Check and ensure all parts are fully connected.

Sit down gently and carefully on the sofa.

This will help align all parts at all joints.

Then carefully get up off the sofa and tighten all the bolts in a sequential manner.

Step 6



Put the sofa on the horizontal surface. Check and ensure all parts are fully connected.

Sit down gently and carefully on the sofa.

This will help align all parts at all joints.

Then carefully get up off the sofa and tighten all the bolts in a sequential manner.

Place the cushions (J), (K) on the sofa and stick the magic tape from cushion to cushion.

Your sofa is ready to use.