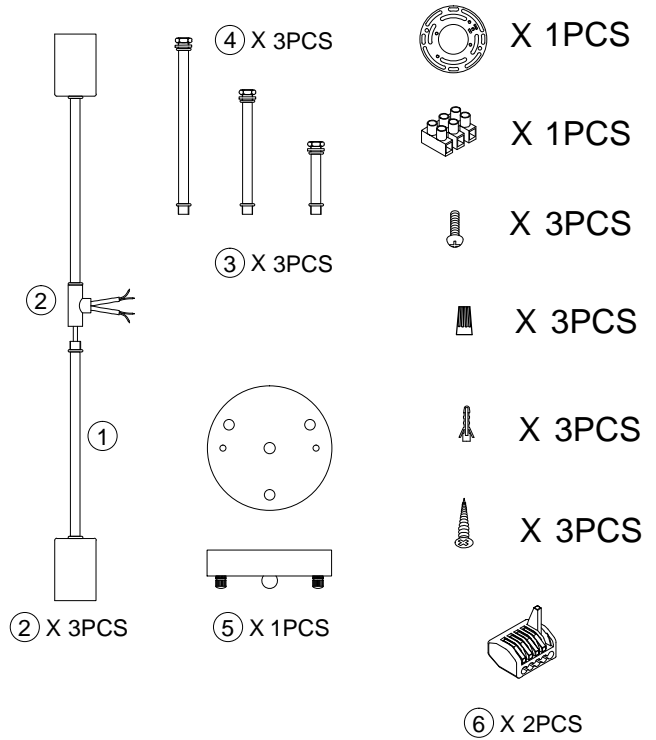
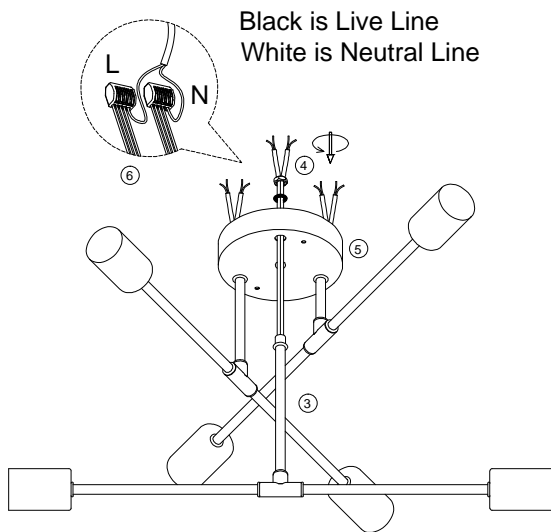
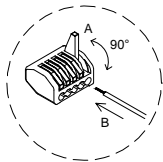


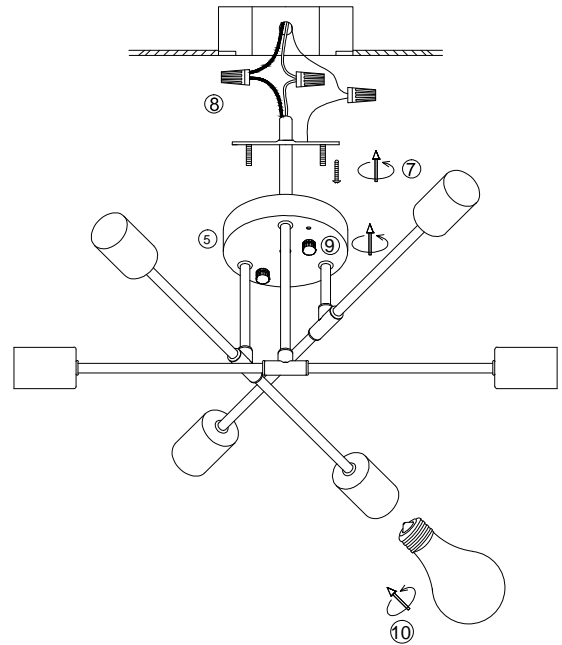
1. Install the light arm ① with arm ②, after that let the wire go through the tube ③, turn to fix tube ③ on the light arm.



1. Pull the orange operating handle A to open the inlet hole, insert the wire B.  
2. Press the operating handle A to finish wiring.  
(Note: one inlet hole can put 2 or 3 wires inside)



2. Install the light arm ③ to the canopy ⑤ with lock nut & teeth lock washer ④, after that connect the wires by parallel with splicing connector (all live line-L use one connector, and neutral Line-N use another connector).



3. Install the bracket ⑦ on the junction box with screw.  
4. Connect the wire ⑧ to your home line.  
5. Install the fixture ⑤ on the bracket with cap nut ⑨.  
6. Install the bulbs ⑩.

### Installation Manuel

Please read carefully before installation!!!

Note : Please make sure that the electricity is powered off during installation !

Only a professional electrician should install this kind of product !