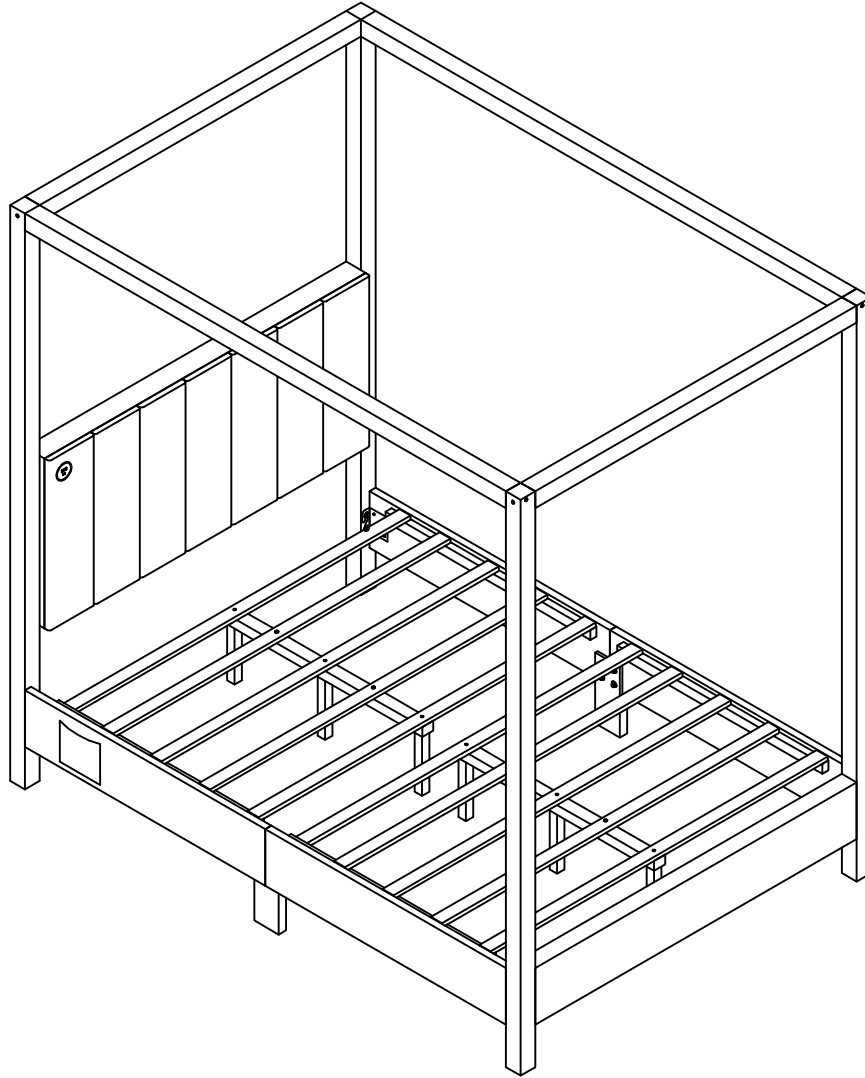


BED
ASSEMBLY INSTRUCTIONS
WF314839/WF314840 FULL



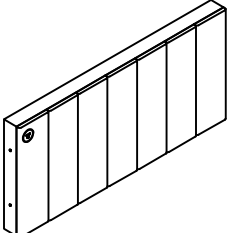
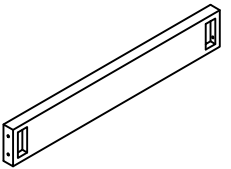
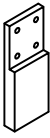
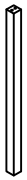
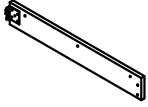
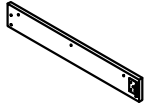
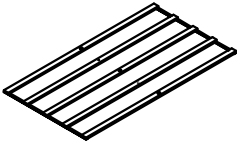
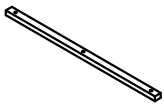

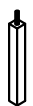
THANK YOU FOR PURCHASING BED

WARNING






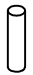

- No rough tools or corrosive detergent for cleaning.
- The package contains some heavy part and sharp - edged part, please be careful when assembling to avoid any physical injury around you.
- Please strictly observe the steps of the instructions.
- Do not use a broken item and contact our customer service for guidance.

BOX 2 OF WF314840

PART LIST



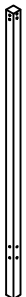


 (A): 1 PC	 (B): 1 PC	 (L): 2 PCS	 (H): 2 PCS
 (J): 2 PCS	 (K): 2 PCS	 (N): 2 PCS	 (O): 2 PCS
 (M): 4 PCS	 (P): 6 PCS		

HARDWARE LIST

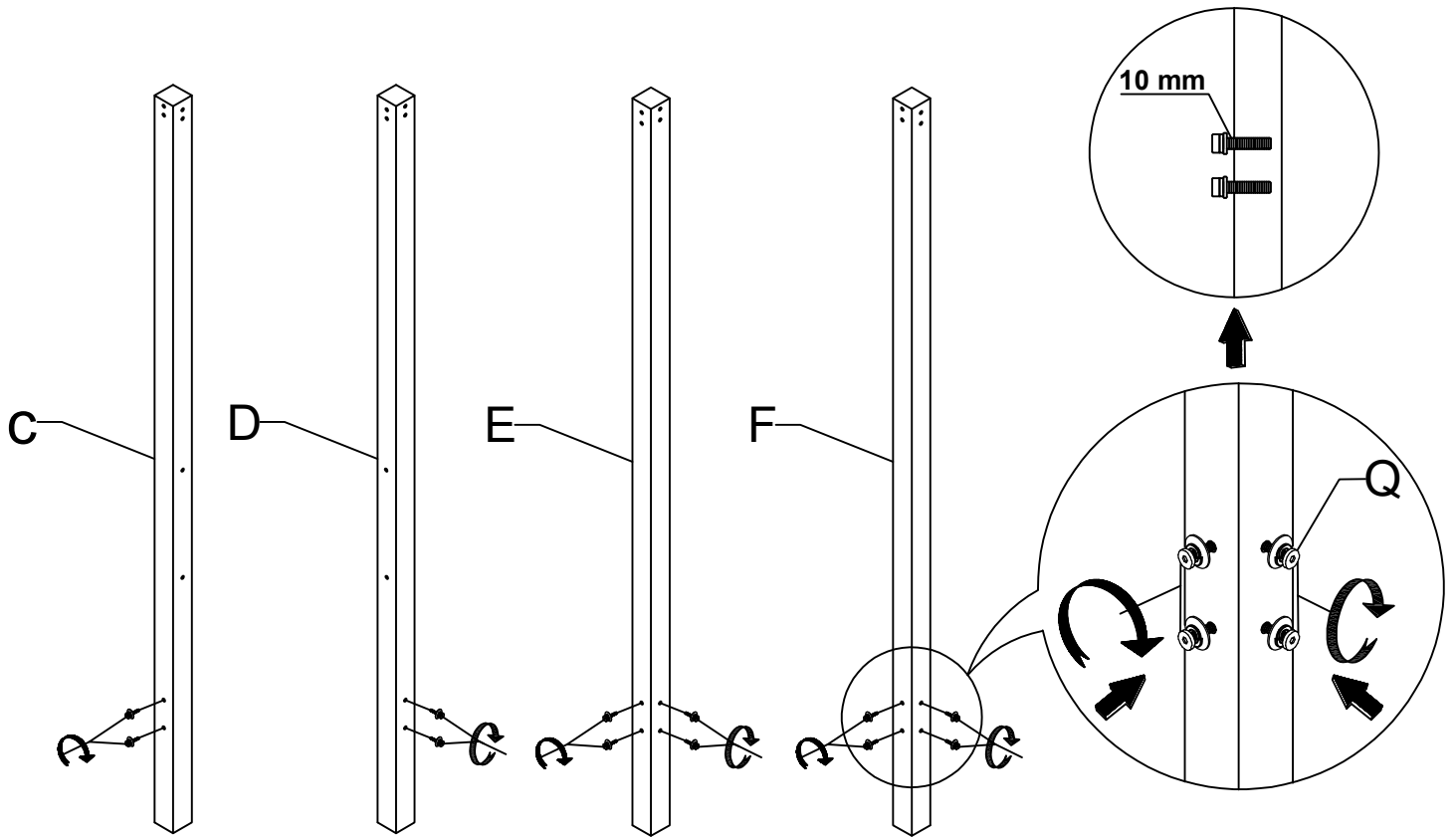
5/16 " x25 mm  (Q): 8 PCS	5/16 " x50 mm  (R): 8 PCS	5/16 " x75 mm  (S): 8 PCS	1/4 " x35 mm  (T): 12 PCS
1/4 " x35 mm  (U): 8 PCS	Ø8 x30 mm  (V): 8 PCS	L5  (W): 1 PC	


BOX 1 OF WF314839

PART LIST

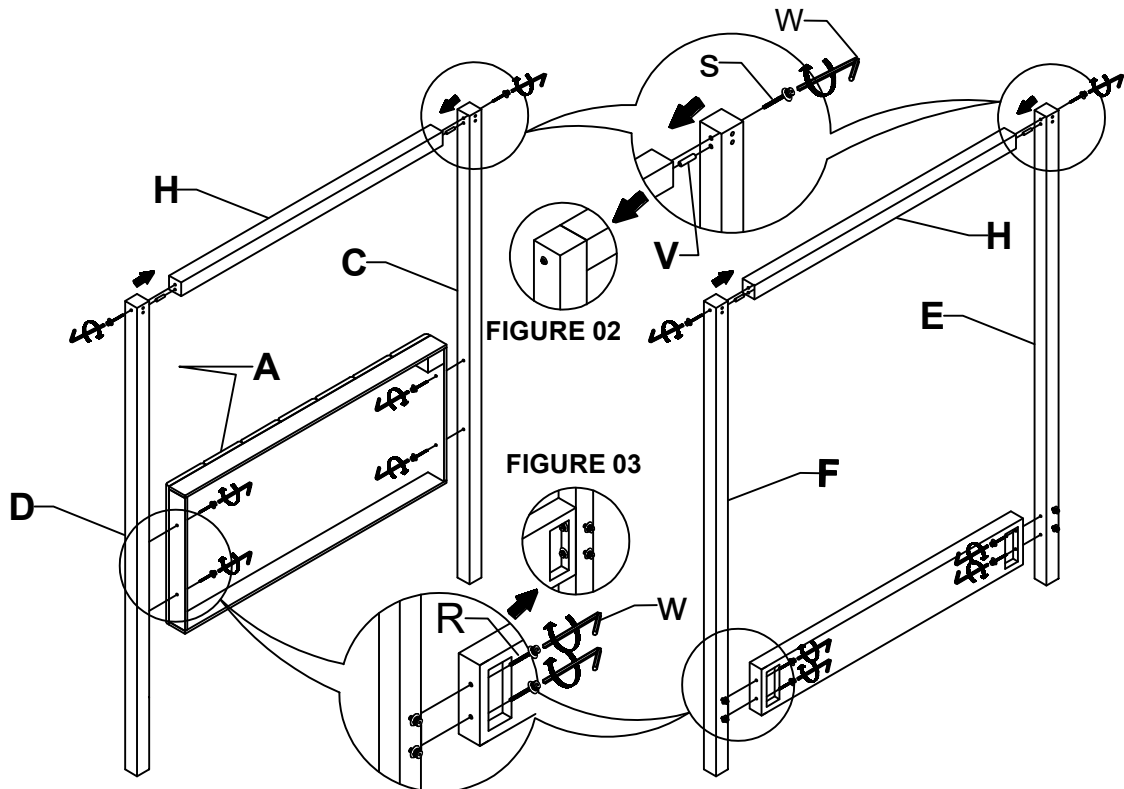
 (C): 1 PC	 (D): 1 PC	 (E): 1 PC	 (F): 1 PC	 (G): 2 PCS
---------------------------------------------------------------------------------------------------------	---------------------------------------------------------------------------------------------------------	---------------------------------------------------------------------------------------------------------	-----------------------------------------------------------------------------------------------------------	------------------------------------------------------------------------------------------------------------





Step 1:



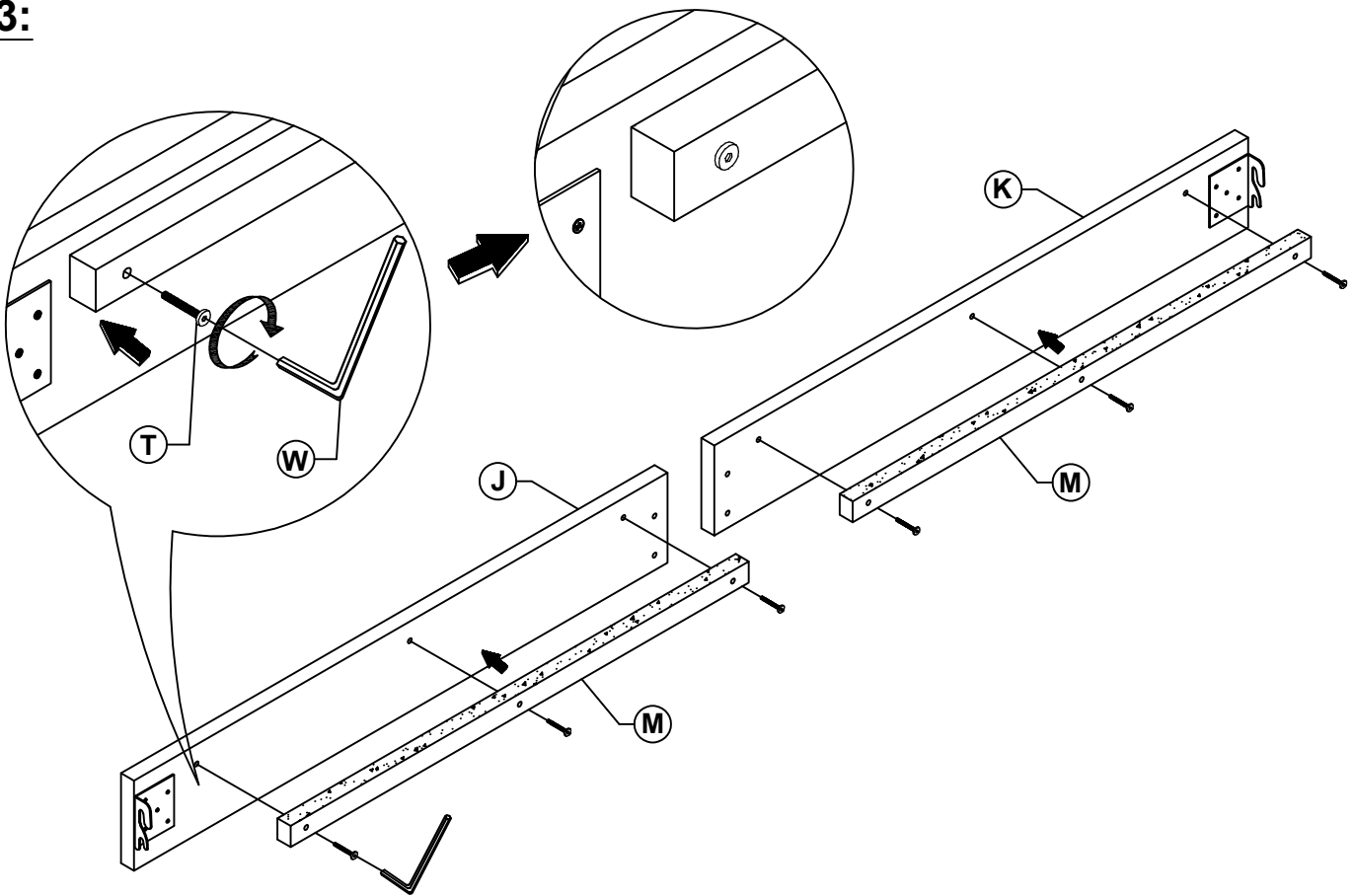
Q	Bolt 5/16 " x25 mm		8 PCS
----------	--------------------	-------------------------------------------------------------------------------------	-------



Step 2:



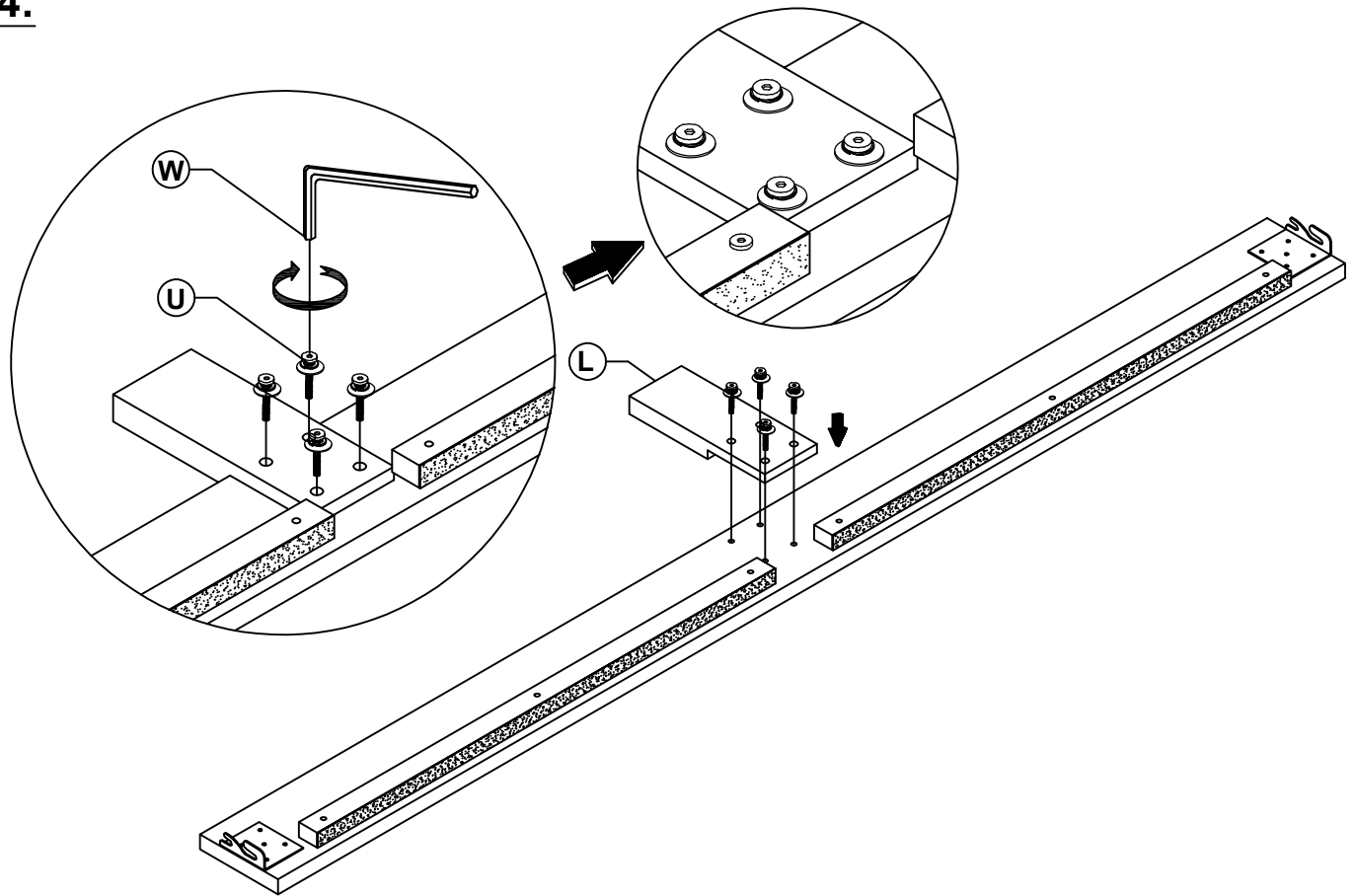
R	Bolt 5/16 " x50 mm		8 PCS	V	Wooden Pegs (Ø8x40mm)		4 PCS
S	Bolt 5/16 " x75 mm		4 PCS	W	Allen Wrench (M5x100mmx30mm)		1PC

Step 3:



T	Bolt 1/4 " x35 mm		12 PCS	W	Allen Wrench (M5x100mmx30mm)		1PC
----------	-------------------	-------------------------------------------------------------------------------------	--------	----------	---------------------------------	---------------------------------------------------------------------------------------	-----

Step 4:



U	Bolt 1/4 " x35 mm		8 PCS	W	Allen Wrench (M5x100mmx30mm)		1PC
----------	-------------------	-------------------------------------------------------------------------------------	-------	----------	---------------------------------	---------------------------------------------------------------------------------------	-----

Step 5:

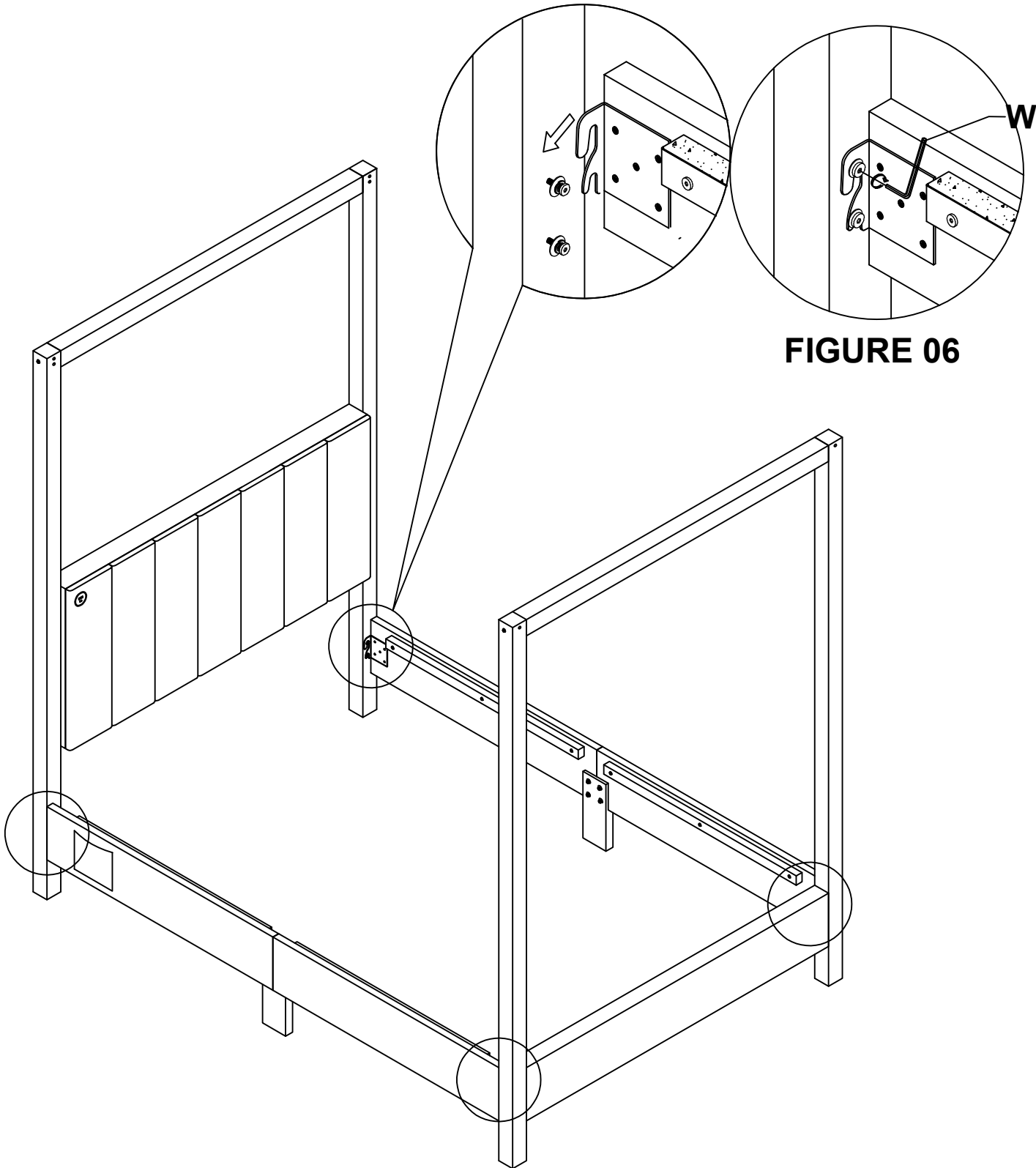


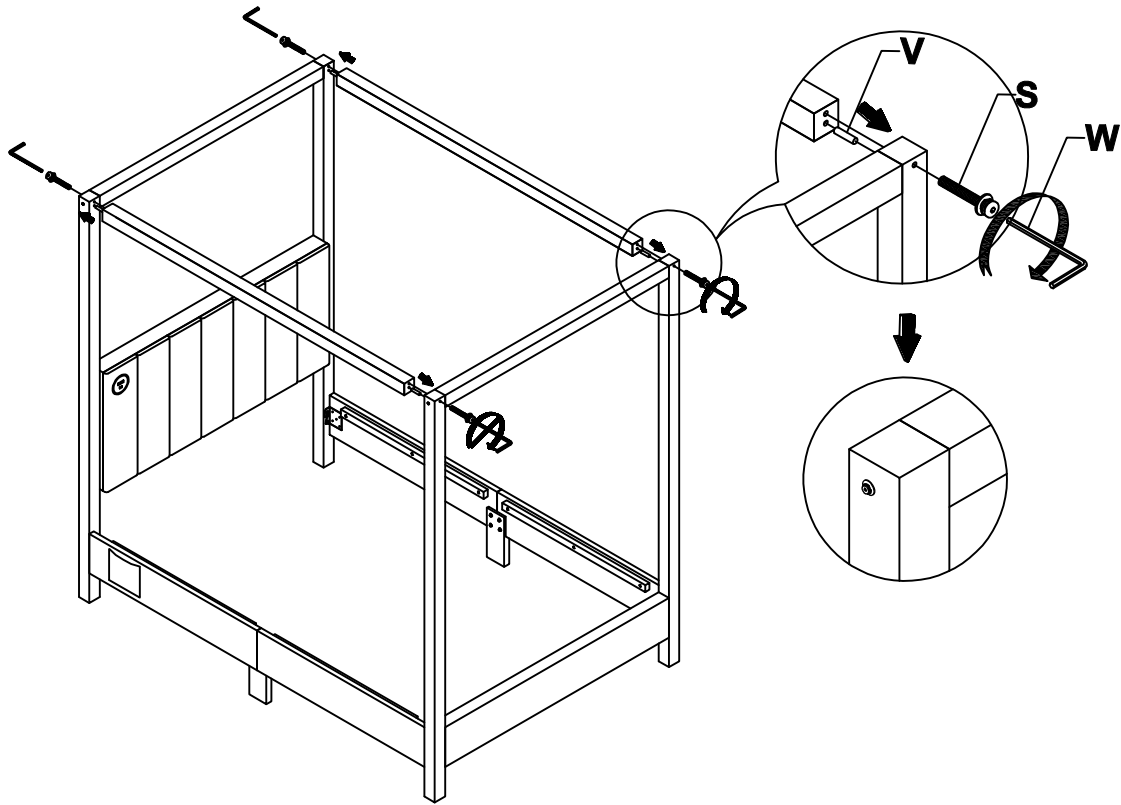

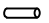



FIGURE 06

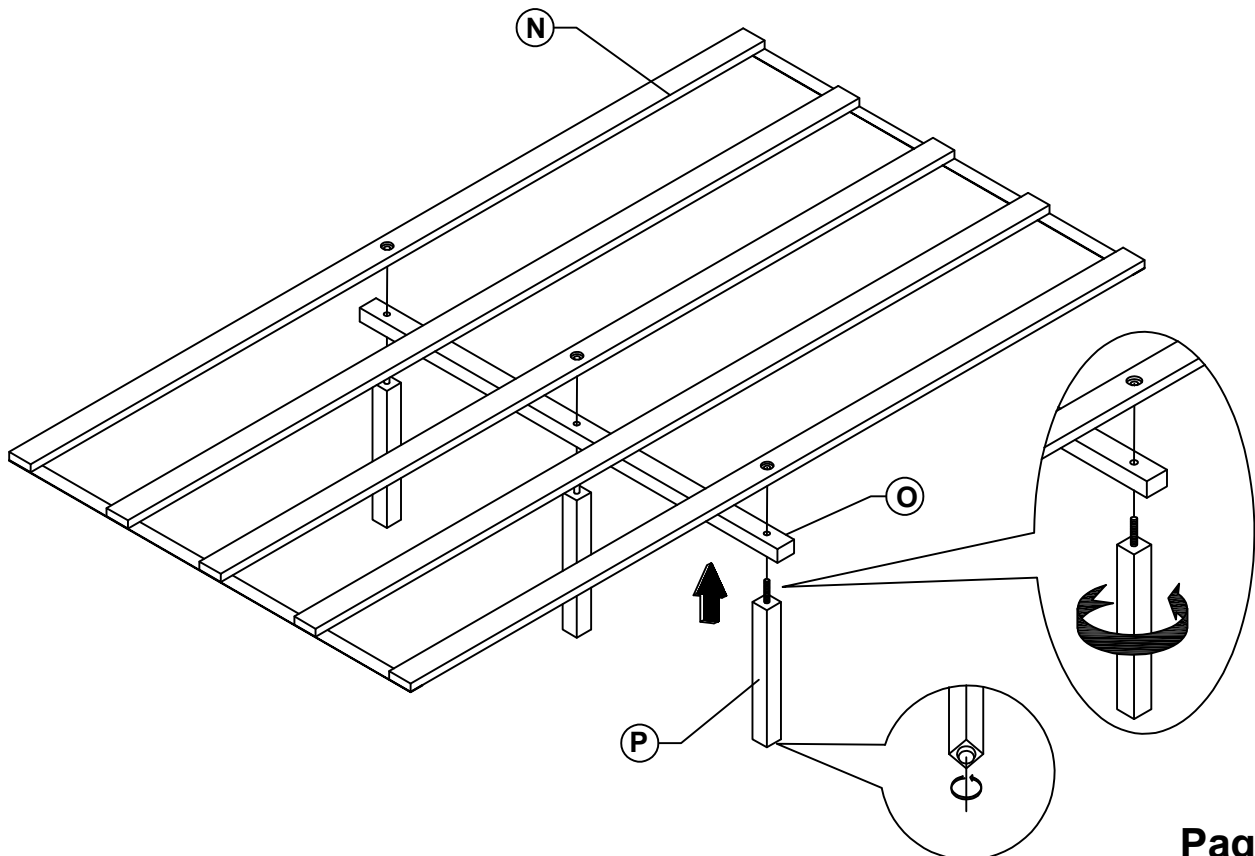
Q	Bolt 5/16 " x25 mm		8 PCS
W	Allen Wrench (M5x100mmx30mm)		1PC

Step 6:

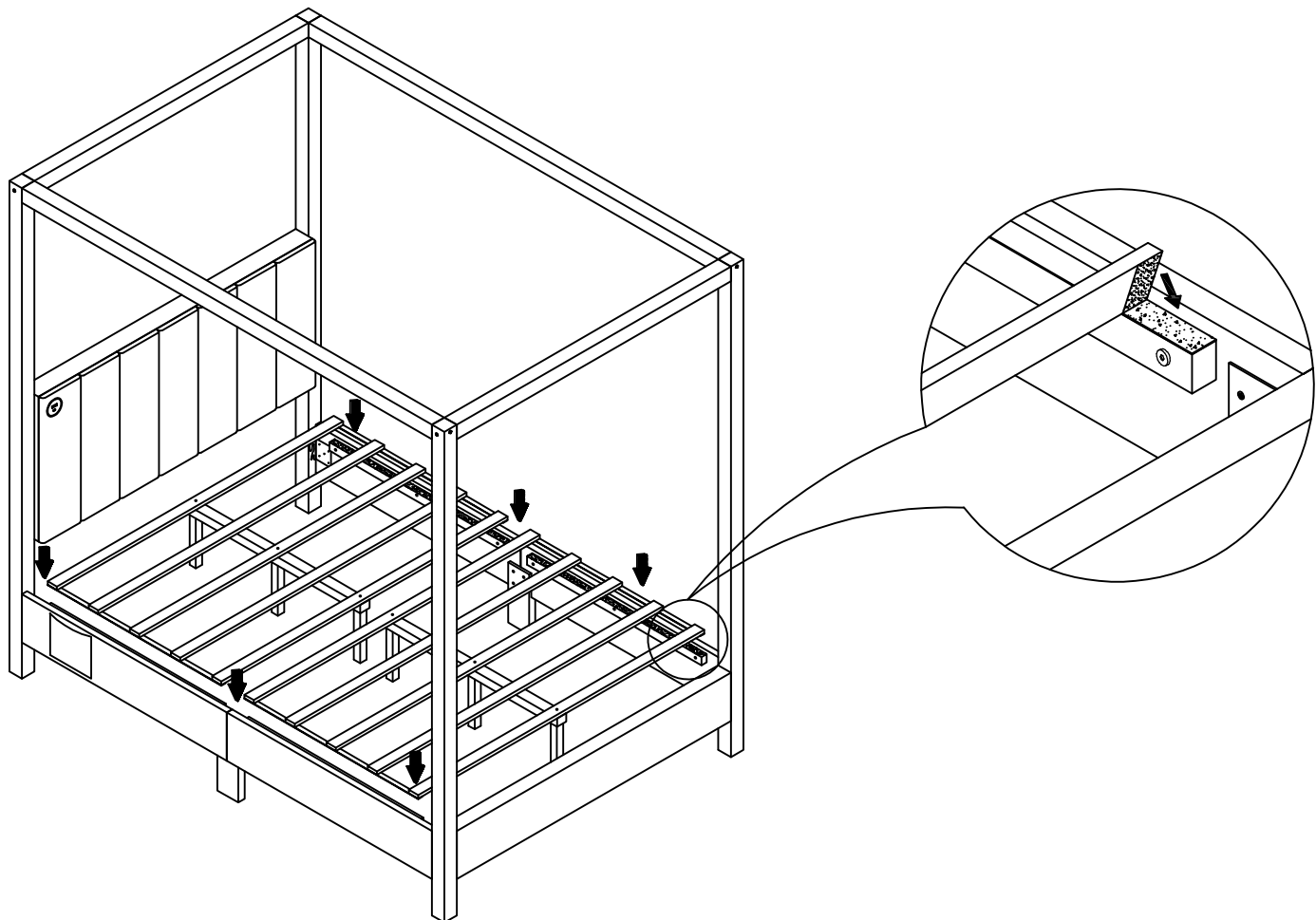


S	Bolt 5/16 " x75 mm		4 PCS	V	Wooden Pegs (Ø8x40mm)		4 PCS
W	Allen Wrench (M5x100mmx30mm)		1PC				

Step 7: Install the center rail (O) to the slat set (N) tighten by the center legs (P).



Step 8: Install the slat set to the bed.



Step 9: ASSEMBLE COMPLETE.

