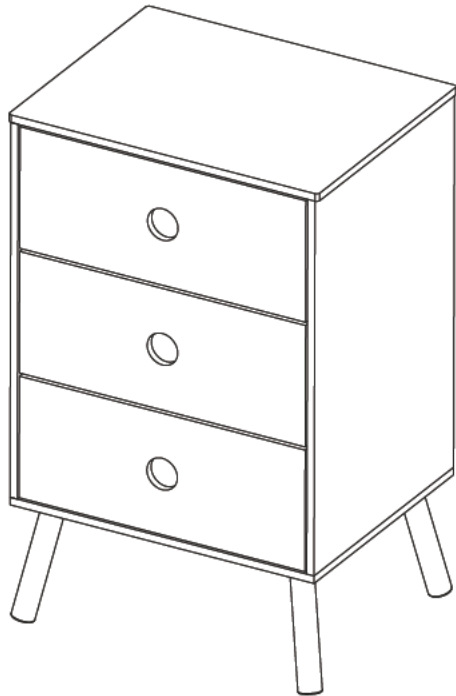
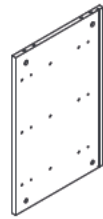


# Kids Bedroom Playroom Storage Cabinet-3 drawer

**AGE 3+**  
ADULT ASSEMBLY REQUIRED



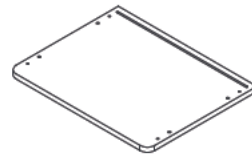
## PART LIST



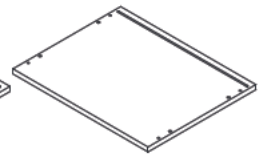
A×1



B×1



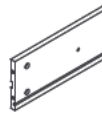
C×1



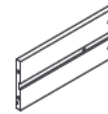
D×1



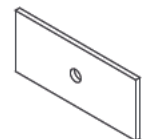
E×1



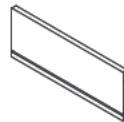
F×3



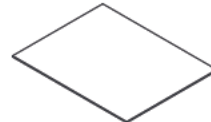
G×3



H×3



I×3



J×3



K×4

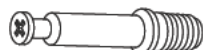
## HARDWARE



L×4



M×4



N×16



O×16



P×12



Q×8



R×20



S×12



T×6



U×6

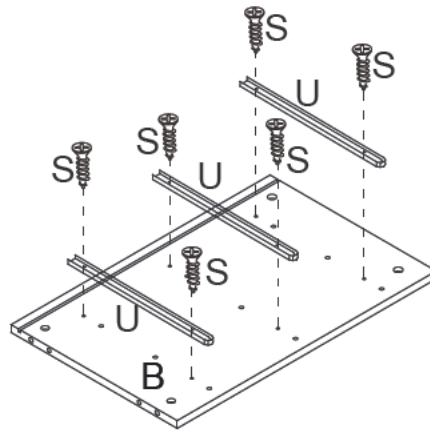
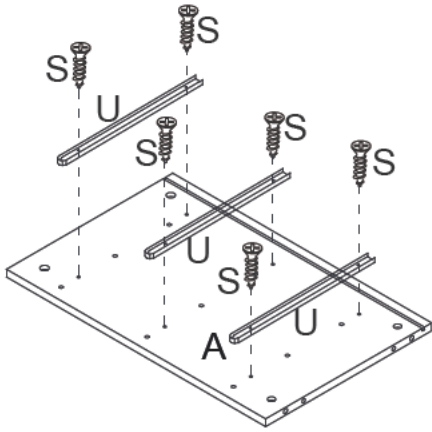


V×4

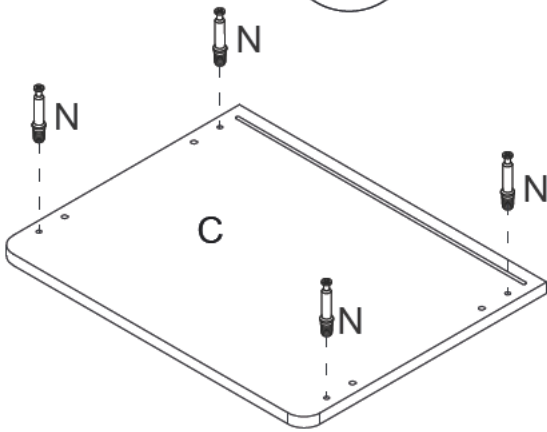
## CARE/CLEANING INSTRUCTIONS

- Wipe furniture with a soft dry cloth, do not use paper as this may be abrasive to the finish.
- The unit should be cleaned with a damp cloth and dried with a dry cloth.
- DO NOT use bleach or chemical solutions to clean the product.
- DO NOT expose to sunlight or other heat sources for a prolonged period.
- DO NOT store or leave outside.
- Periodically check the tightening of legs and screws.

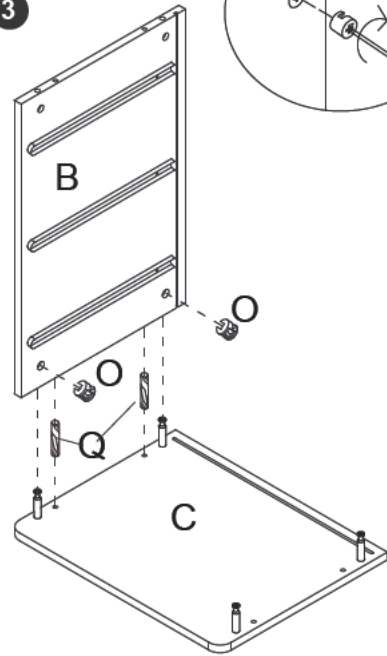
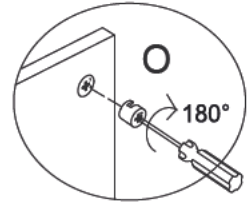
Step 1



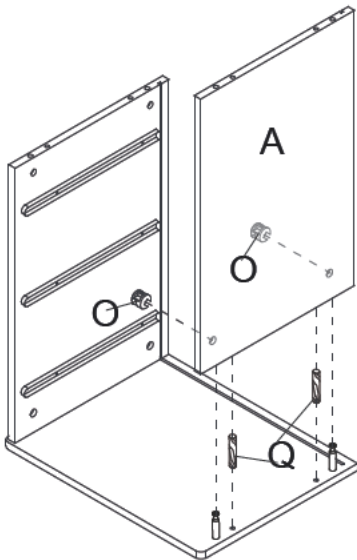
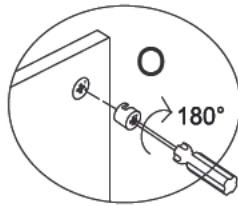
Step 2



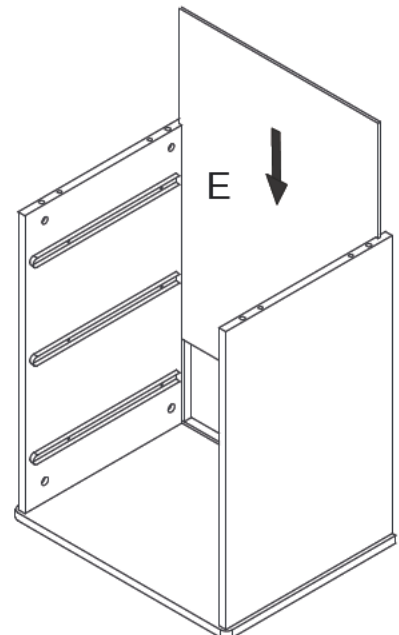
Step 3



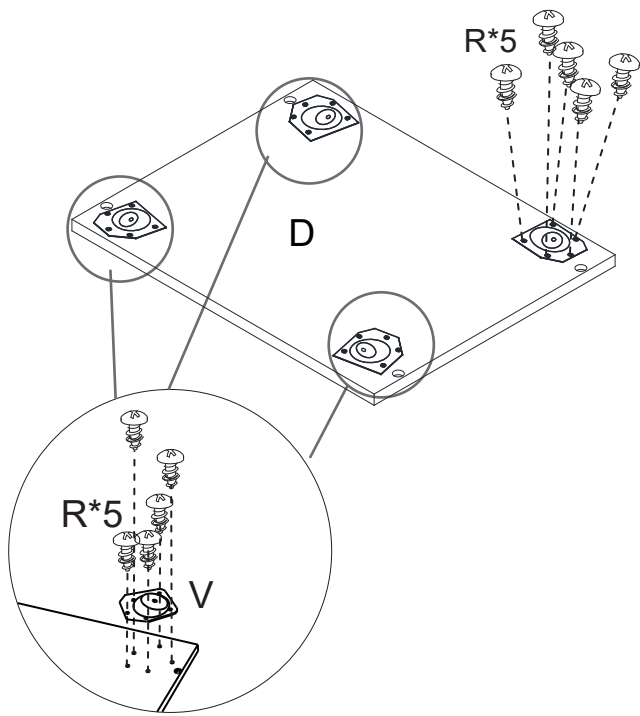
Step 4



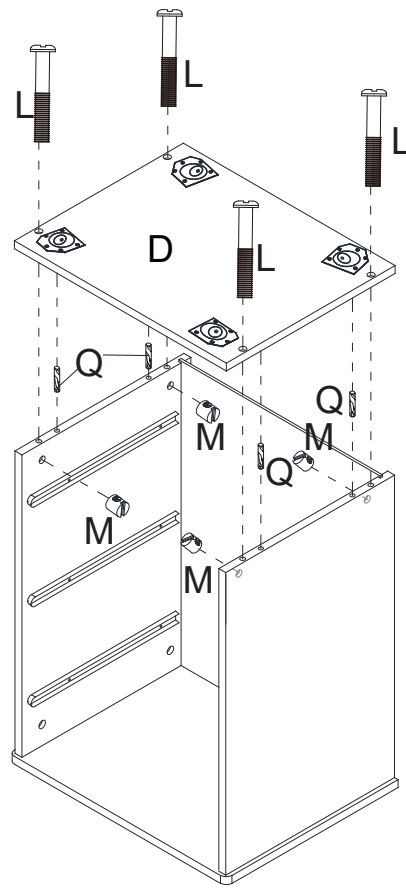
Step 5



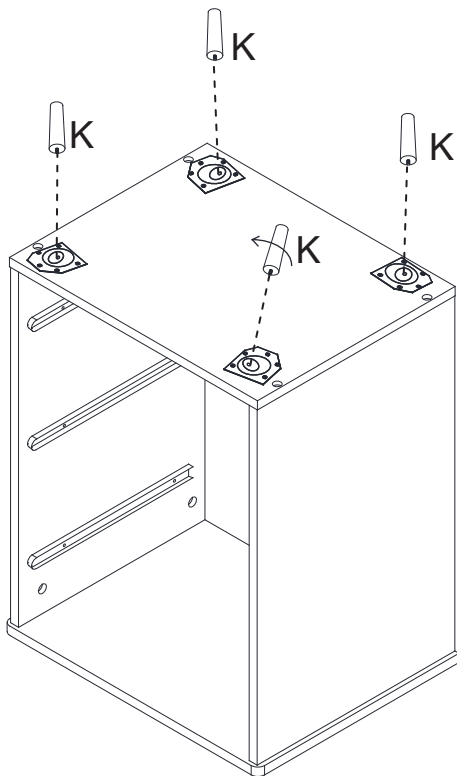
Step 6



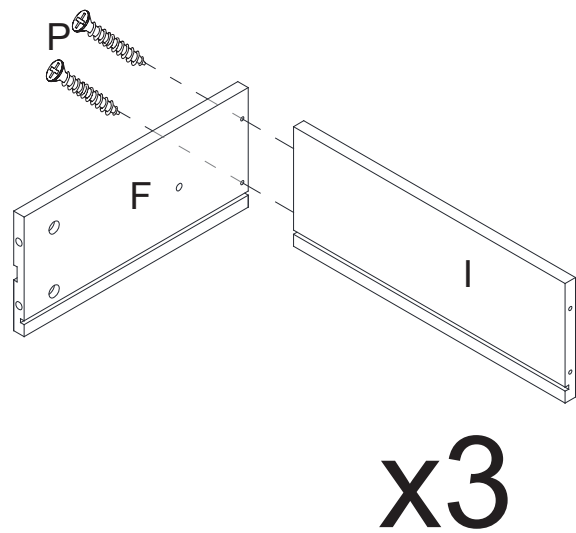
Step 7



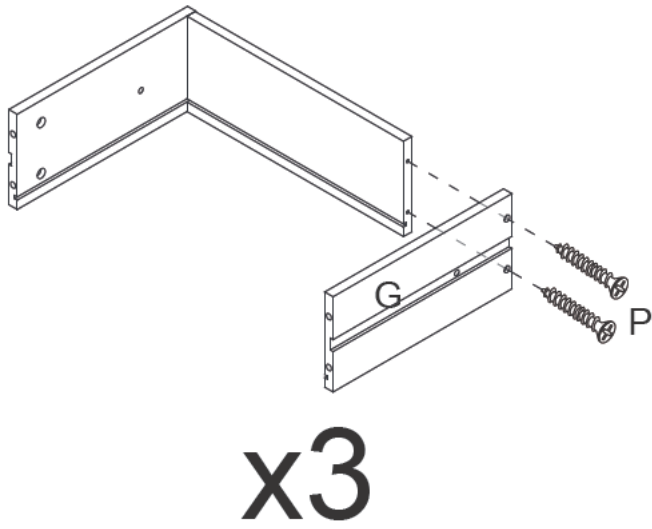
Step 8



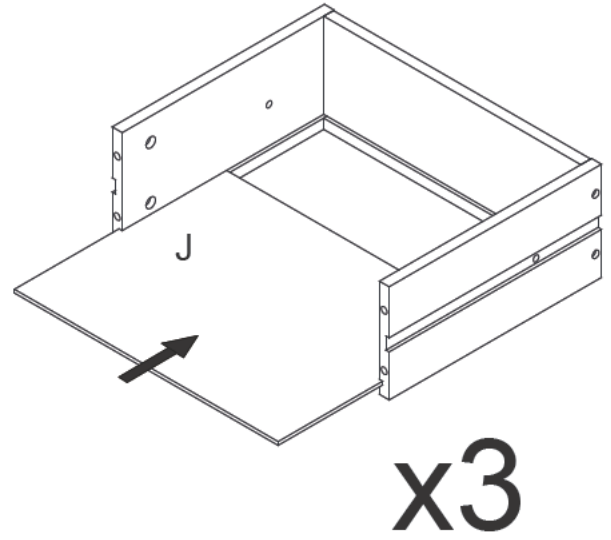
Step 9



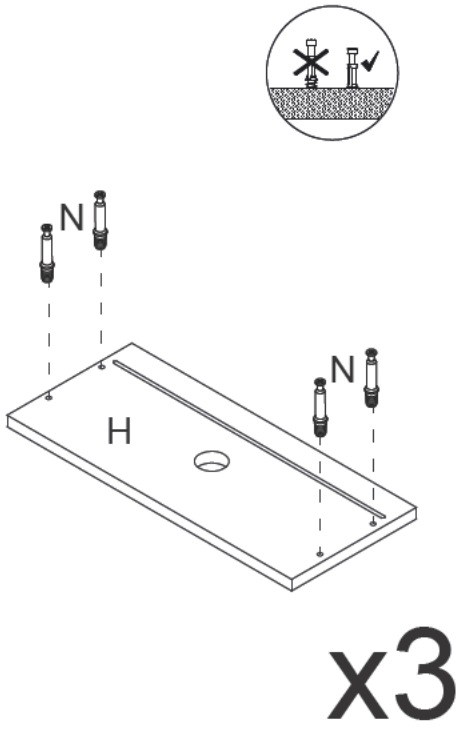
Step 10



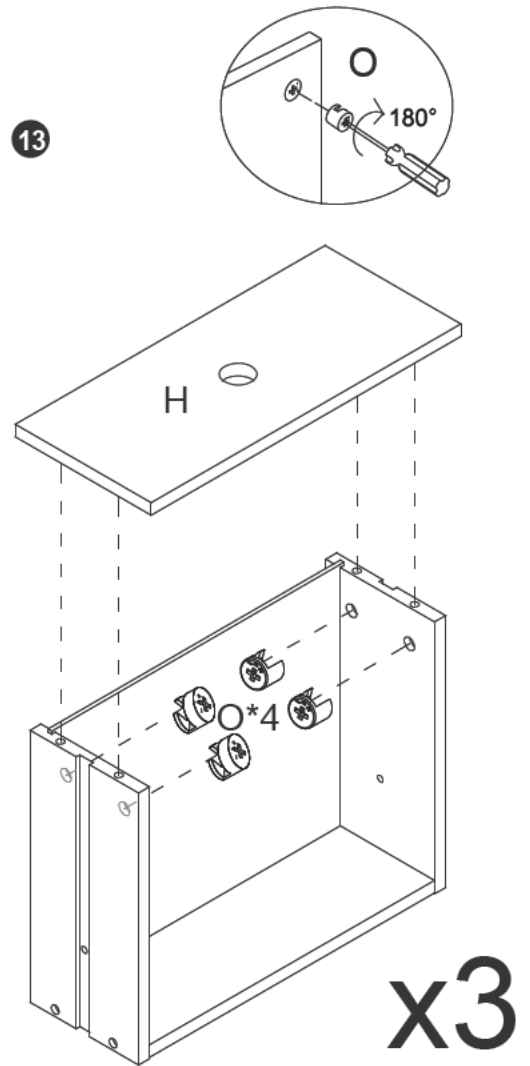
Step 11



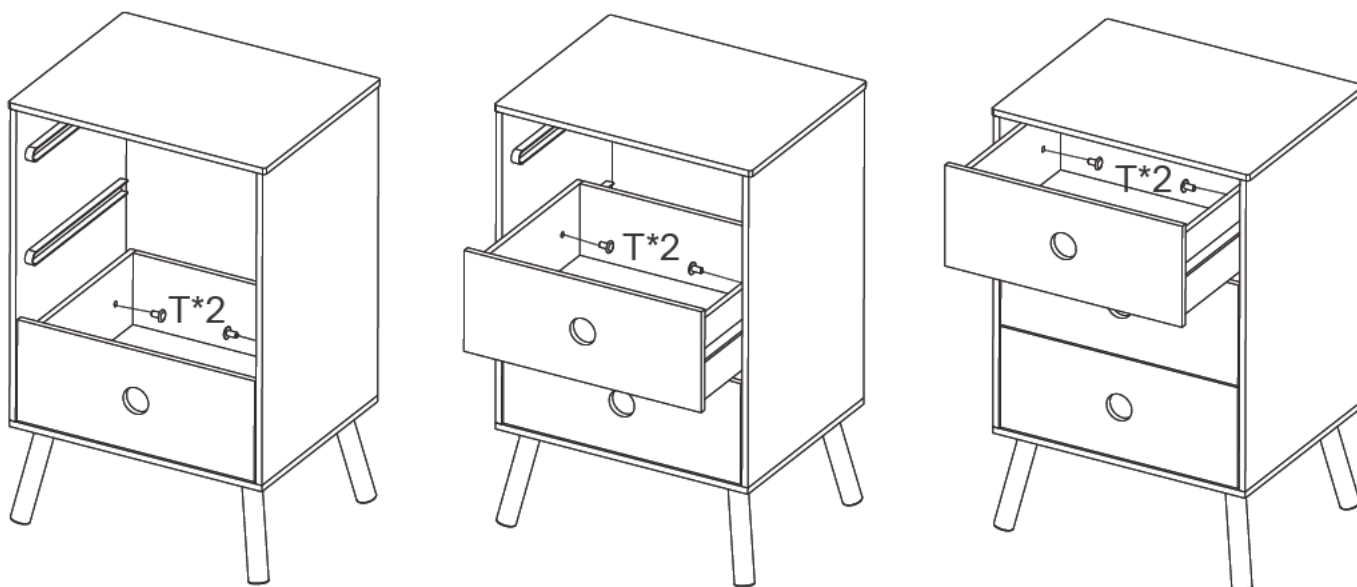
Step 12



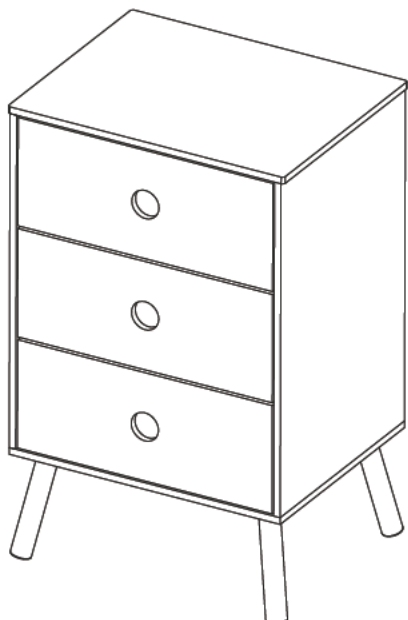
Step 13



Step 14



Step 15



UK  
CA CE

 **WARNING:**  
CHOKING HAZARD – Small parts.