

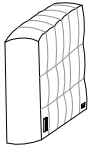


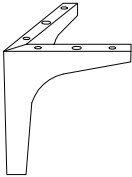
Assembly instructions for the chair, including tool requirements, safety warnings, and person count.

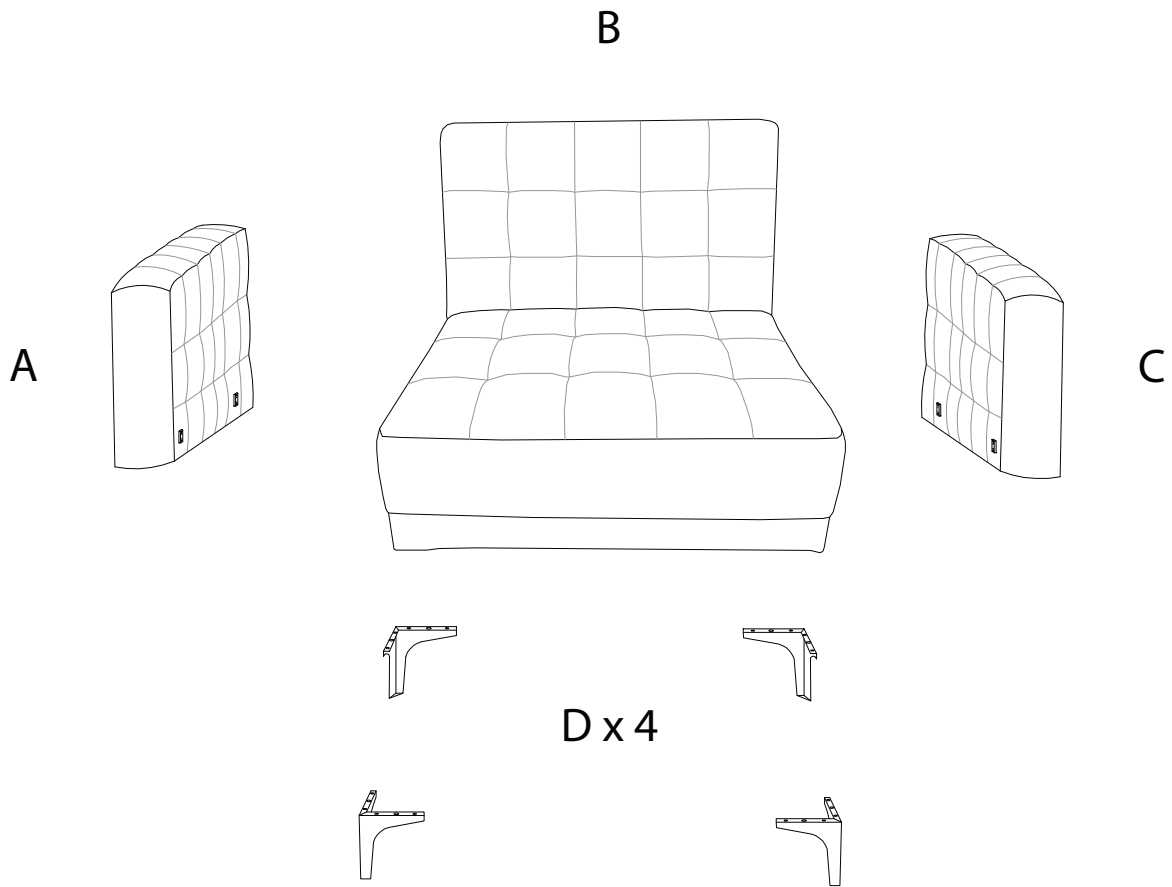
Tools: An icon in a circle shows an Allen key and a screwdriver. A power drill icon is crossed out with a diagonal line, indicating it is not to be used.

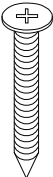

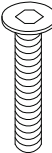

Warnings: A warning triangle with an exclamation mark is shown. A second warning triangle with an exclamation mark is also present.

Time: A clock icon indicates an estimated assembly time of 30 minutes.

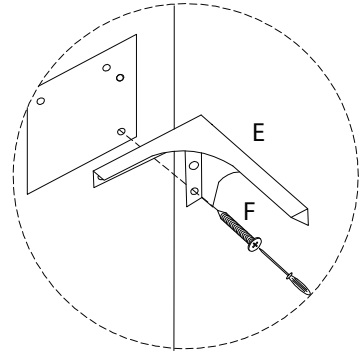
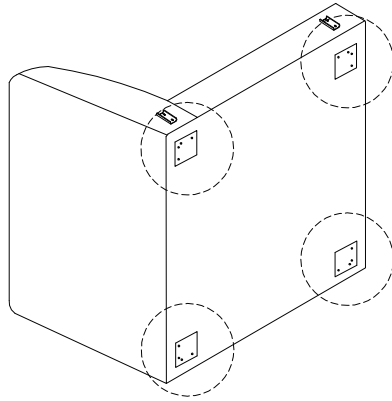
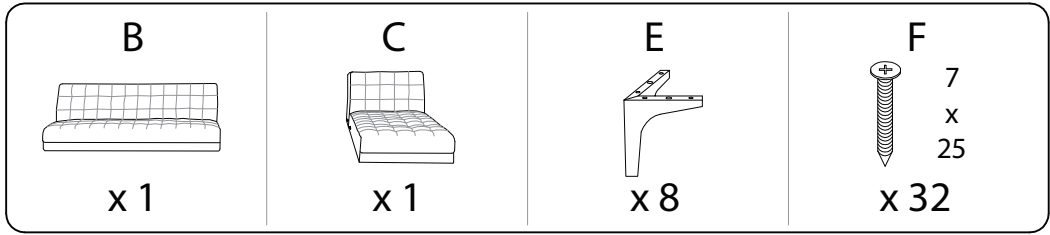
Person Count: An icon of a person and the number 2 indicate that two people are required for assembly.

A	B	C	D
			
x 1	x 1	x 1	x 4

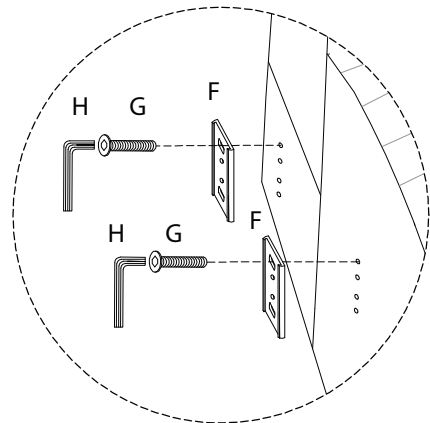
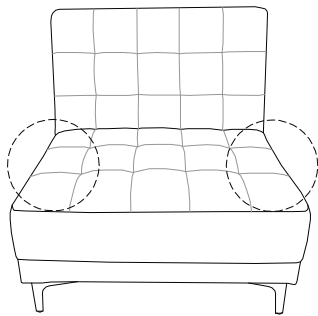
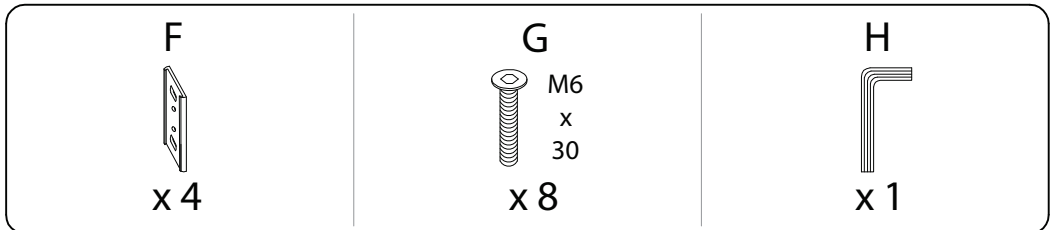


E	F	G	H
			
5 x 25 x 16	x 4	M6 x 30 x 8	x 1

1



2



3

A



x 1

B



x 1

