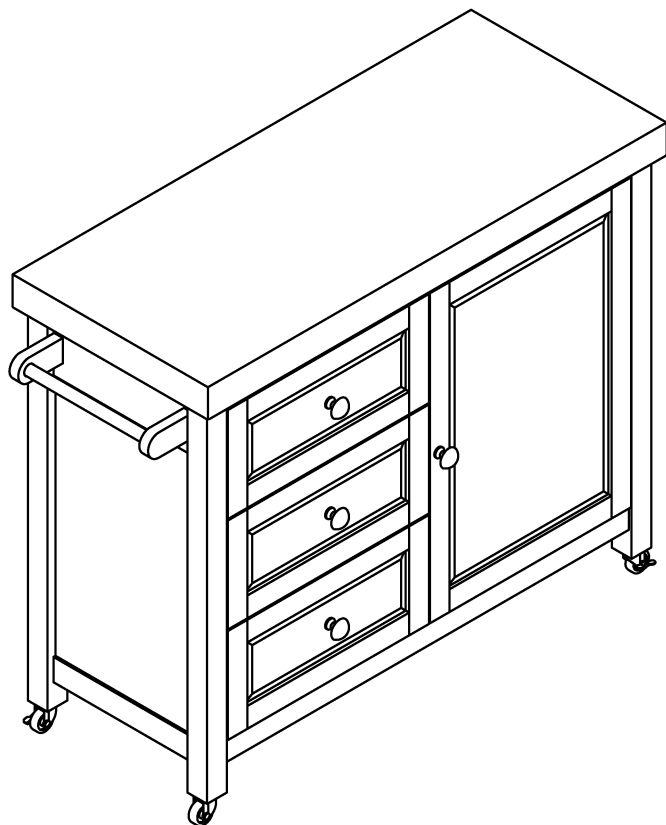


ASSEMBLY INSTRUCTIONS KITCHEN CART

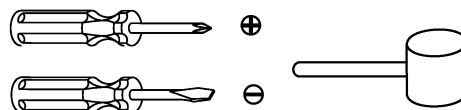


ASSEMBLY REQUIREMENTS

2.5 Hours
Assembly Time
(Approximate)

2-Person
Assembly

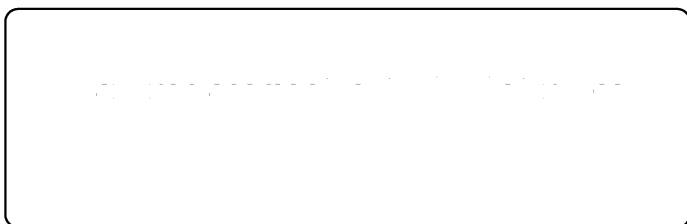
Tools Required:
(Not Provided)



Thank you for purchasing our product!

Please refer and use this assembly instructions to assemble the product

Contact our customer service department in case there are any missing or damage parts or hardware.



We appreciate your business!

ASSEMBLY INSTRUCTIONS

KITCHEN CART

ASSEMBLY PREPARATION:

1. Remove all packaging materials, staples and packing straps from the carton.
2. Refer to Parts List and Hardware List and ensure they are complete before you start assembling.
3. Place all wooden parts on a clean, flat and soft surface (e. g. carpet or rug) to prevent parts from getting scratched.

SAFETY PRECAUTION:

1. KEEP ALL HARDWARE PARTS OUT OF REACH OF CHILDREN.
2. DISPOSE PLASTIC PACKAGING MATERIAL IMMEDIATELY TO AVOID ANY RISK OF SUFFOCATION TO CHILDREN AND ANIMALS.

TIPS FOR ASSEMBLY:

1. Allow ample room for assembly and in close proximity to where product will be placed.
2. Assemble the product on a surface that does not scratch or damage the exterior gloss and finish of the furniture.
3. Please check all of the parts and quantities are included before assembly. Contact customer service for missing parts.
4. Identify all of the parts, hardware and quantities required for each step.
5. During assembly, do not over-tighten any fittings as this may cause damage.
6. DO NOT USE POWER TOOLS TO ASSEMBLE THIS PRODUCT.
7. Always place the product on a flat, stable surface.
8. Do not sit or stand on the partially assembled product; only use the product for which it is intended.
9. This product is made of reinforced hollow board. Excessive pressure can cause irreparable damage. Avoid standing or kneeling on any parts of the product during assembly.

CARE AND MAINTENANCE:

- Use a slightly damp cloth to the product. Do not use bleach or abrasive cleaning material
- Check all the fittings periodically and re-tighten as necessary. Do not use the product if any of the parts is damaged or broken.
- Never allow any kind of liquid to remain on your furniture. Absorption can cause wood to warp or delaminate
- Do not place hot items (e.g. hot drinks) directly onto the wood surface.
- Do not drag and pull your furniture.

This product is for indoor and household use only - not for commercial use.

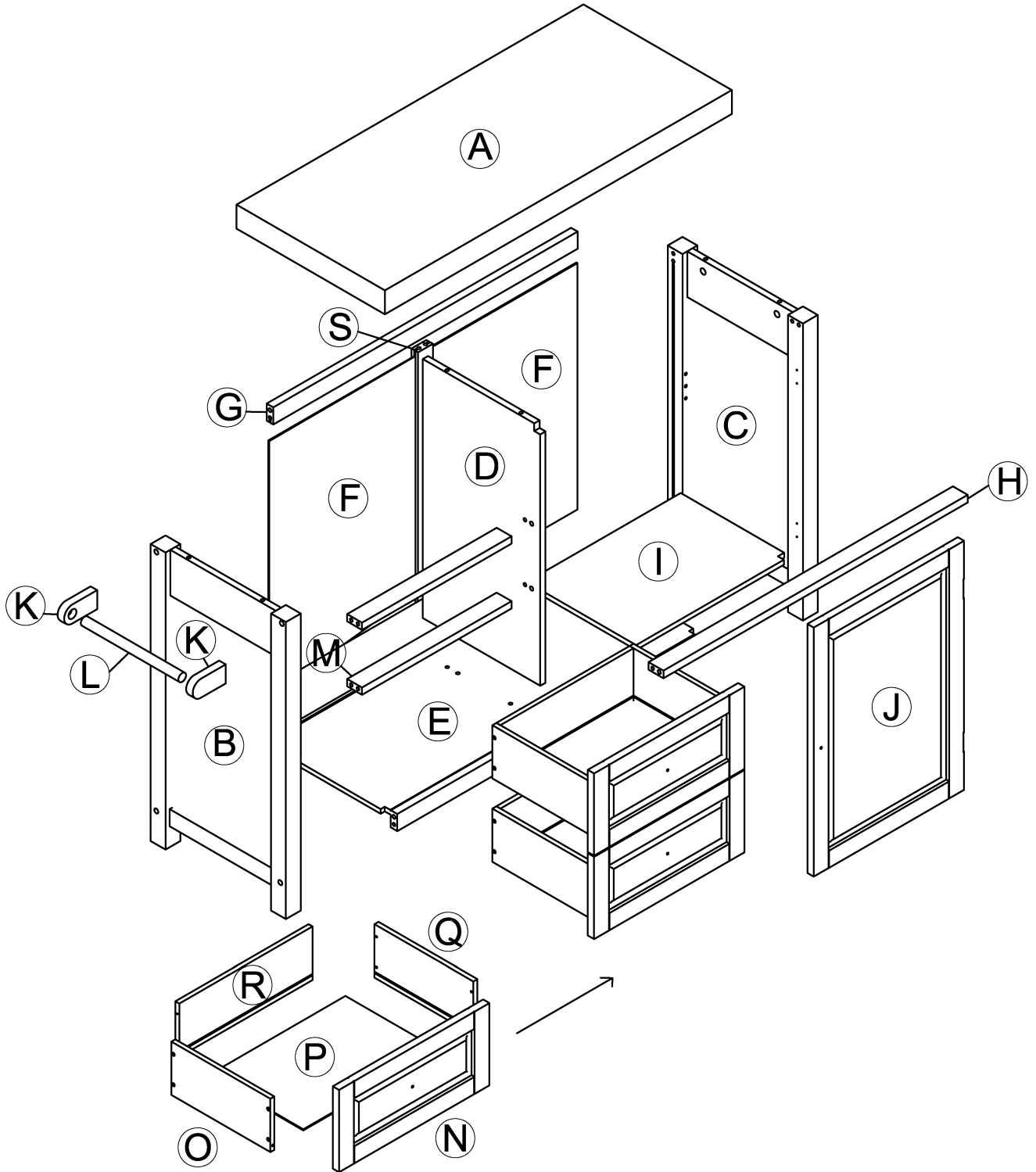
ASSEMBLY INSTRUCTIONS
KITCHEN CART

PARTS LIST

Part#	Part Name	QTY	Part#	Part Name	QTY
(A)	Top Panel	1	(P)	Drawer Bottom Panel	3
(B)	Left Side Panel	1	(Q)	Drawer Right Side Panel	3
(C)	Right Side Panel	1	(R)	Drawer Back Panel	3
(D)	Center Panel	1	(S)	Back Post	1
(E)	Bottom Panel	1			
(F)	Back Panel	2			
(G)	Back Rail	1			
(H)	Front Top Rail	1			
(I)	Shelf	1			
(J)	Door	1			
(K)	Towel Rack Support	2			
(L)	Towel Rod	1			
(M)	Front Center Rail	2			
(N)	Drawer Front Panel	3			
(O)	Drawer Left Side Panel	3			

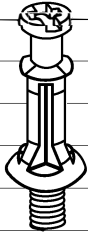
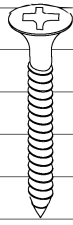
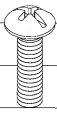
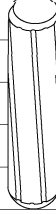
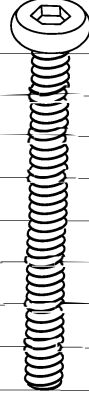

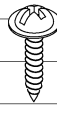

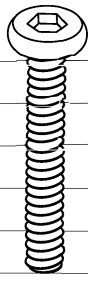
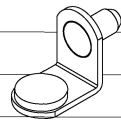



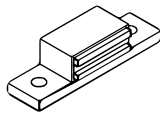
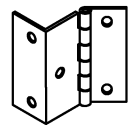
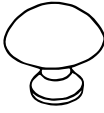

ASSEMBLY INSTRUCTIONS KITCHEN CART

PARTS ASSEMBLY OVERVIEW

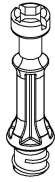


ASSEMBLY INSTRUCTIONS KITCHEN CART

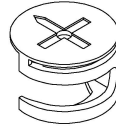
HARDWARE LIST

 10X $\phi 1/4'' \times 1-3/8''$ 1 Cam-bolt	 24X $\phi 1/8'' \times 1-3/16''$ 2 Screw	 4X $\phi 5/32'' \times 3/4''$ 3 Handle Bolt	 18X $\phi 5/16'' \times 1-1/4''$ 4 Wood Dowel	 10X $\phi 1/4'' \times 2-1/4''$ 5 Bolt	2-1/4" 2" 1-1/2" 1-1/4" 1" 3/4" 1/2" 1/4" 0"
 10X $\phi 19/32'' \times 15/32''$ 6 Cam-lock	 2X $\phi 5/32'' \times 19/32''$ 7 Screw	 10X $\phi 1/8'' \times 15/32''$ 8 Screw	 4X $\phi 1/4'' \times 1-1/2''$ 9 Bolt	 4X $\phi 6.5\text{mm}$ 10 Shelf Support	1-1/4" 1" 3/4" 1/2" 1/4" 0"
 2X $\phi 3''$ 11 Castor With Brake	 2X $\phi 3''$ 12 Castor Without Brake	 1X $\phi 5/32'' \times 2''$ 13 Allen Wrench	 1X $1-3/4'' \times 5/8'' \times 15/32''$ 14 Magnetic Catch	 2X $\phi 3''$ 15 Hinge	
 4X $\phi 1'' \times 3/4''$ 16 Handle	 2X $\phi 1/4'' \times 3/8''$ 17 Barrel Nut				

Instructions For Fastening CAM-BOLT and CAM-LOCK



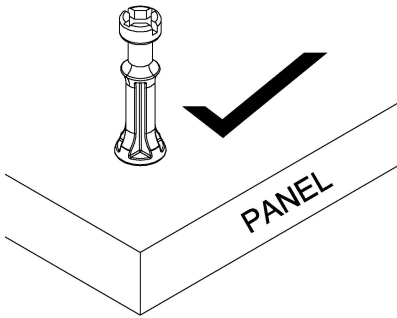
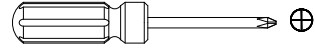
CAM-BOLT



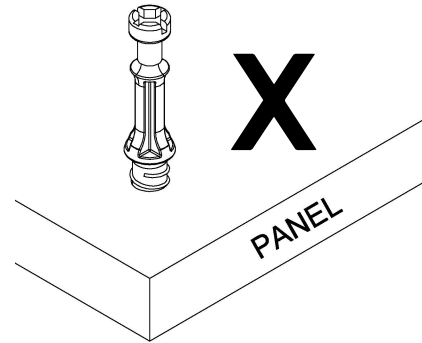
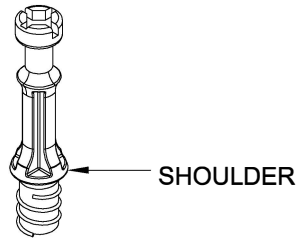
CAM-LOCK

INSERTING AND TIGHTENING CAM-BOLT

Insert Cam-bolt into the pre-drilled hole. Use a Phillips Screwdriver to tighten until shoulder is snug and flushed with the panel. See illustrations below.



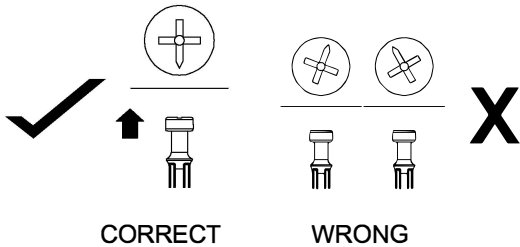
Shoulder is flushed (on the same level) with the panel.



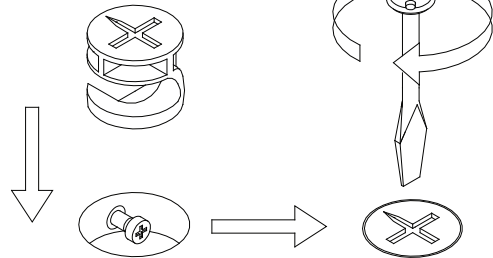
Shoulder is above the panel.

INSERTING CAM-LOCK

Align the arrow on the Cam-lock to the Cam-bolt head and insert the Cam-lock.



TIGHTENING CAM-LOCK

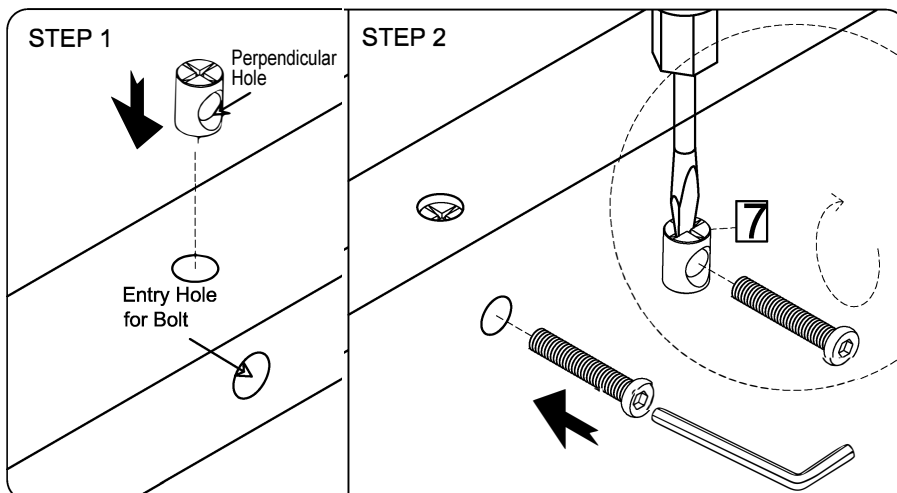


Cam-bolt head needs to be in centre

Use a Flat-head Screwdriver to turn the Cam-lock clockwise one half a turn to lock onto the head of the Cam-bolt. Turn until it is snug -- over-tightening could damage Cam-lock or/and Cam-bolt

Instructions For Installing Barrel Nut

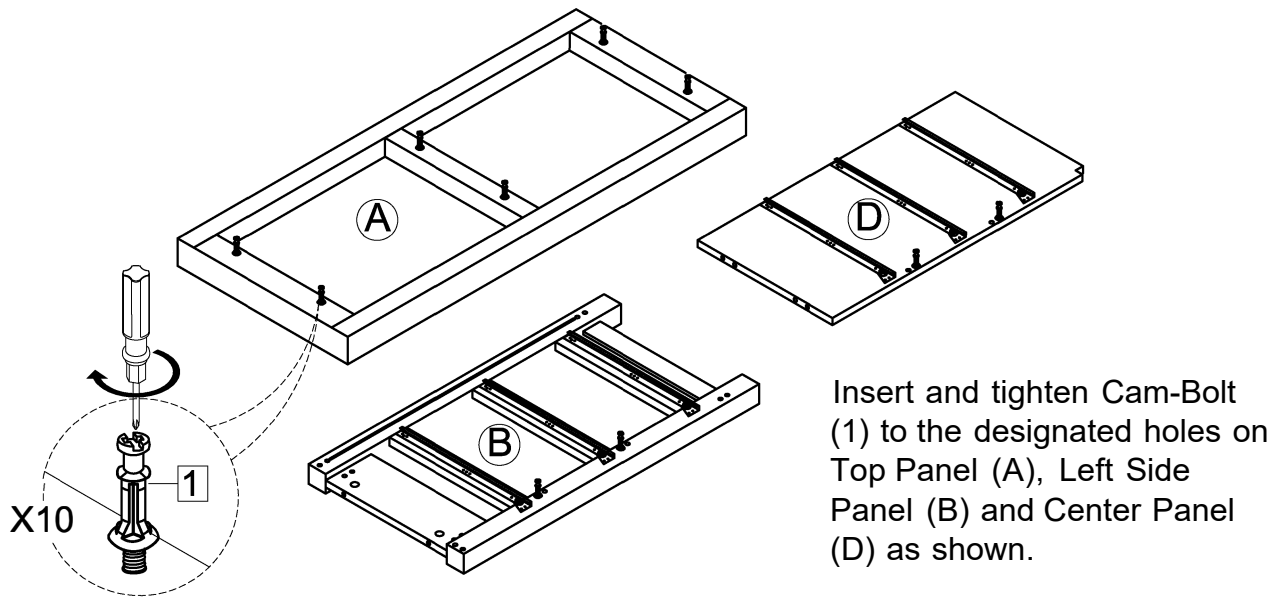
Insert Barrel Nut with the perpendicular hole facing and in-line with the drill hole that the bolt is to be inserted.



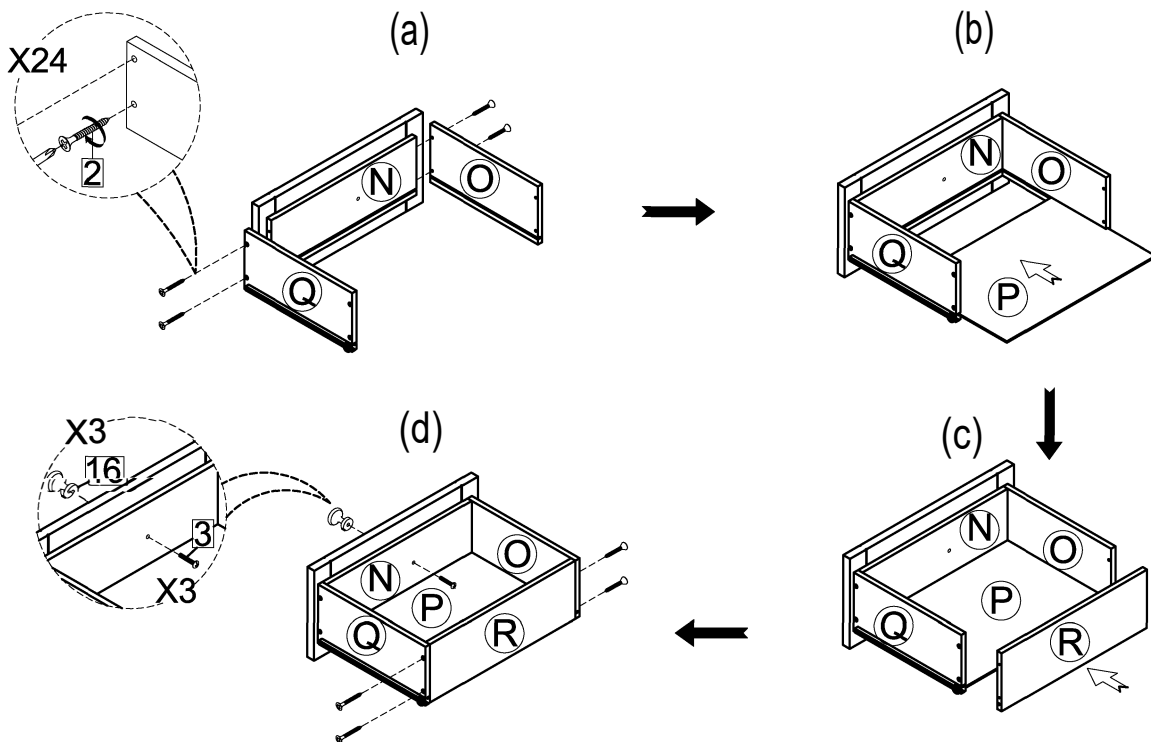
Use a Flat-head Screwdriver to hold Barrel Nut in position before inserting bolt to thread into the Barrel Nut.

ASSEMBLY INSTRUCTIONS KITCHEN CART

STEP 1



STEP 2



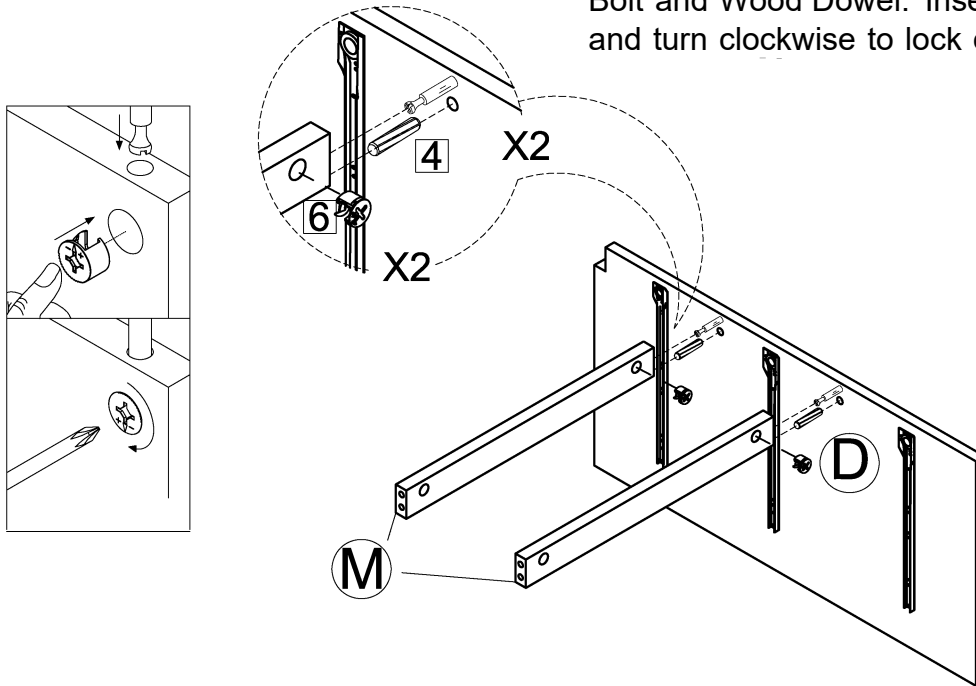
- a) Assemble Drawer Front Panel (N), Right and Left Side Panel (Q) & (O) by using Screw (2)
- b) Insert Drawer Bottom Panel (P) via groove on Drawer Side Panels and Back Panel.
- c) Fasten Drawer Back Panel (R) between (Q) and (O) with Screw (2)
- d) Install Knob (16) using Handle Bolt (3)

Use Phillips screwdriver (not provided) to drive Screw (2) and Bolt (3).

ASSEMBLY INSTRUCTIONS KITCHEN CART

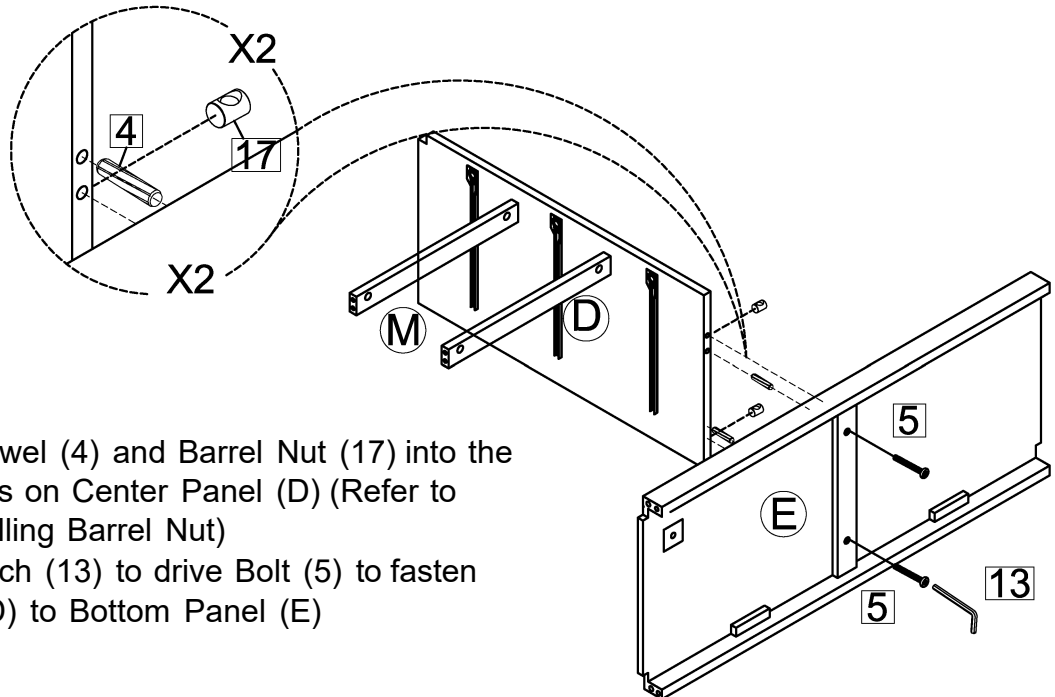
STEP 3

- Insert Wood Dowel (4) below Cam-Bolt on Center Panel (D) as shown.
- Attach Front Center Rail (M) to (D) via Cam-Bolt and Wood Dowel. Insert Cam-Lock (6) and turn clockwise to lock onto Cam-Bolt.



STEP 4

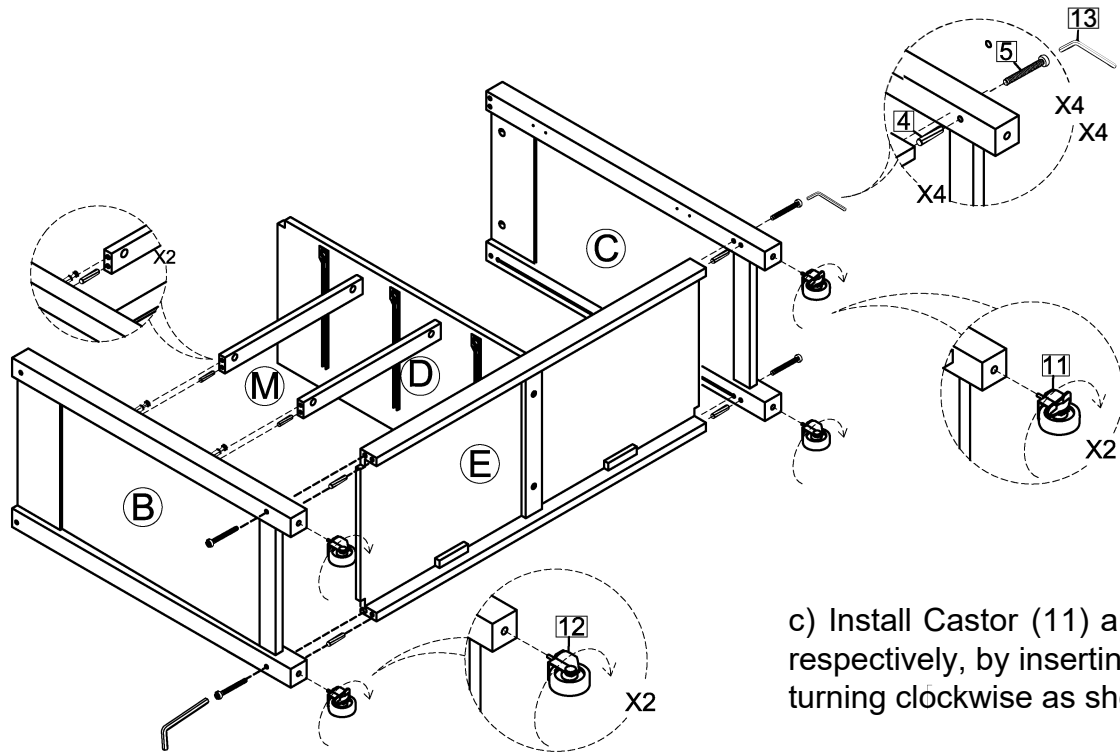
- Insert Wood Dowel (4) and Barrel Nut (17) into the designated holes on Center Panel (D) (Refer to page 6 on Installing Barrel Nut)
- Use Allen Wrench (13) to drive Bolt (5) to fasten Center Panel (D) to Bottom Panel (E)



ASSEMBLY INSTRUCTIONS KITCHEN CART

STEP 5

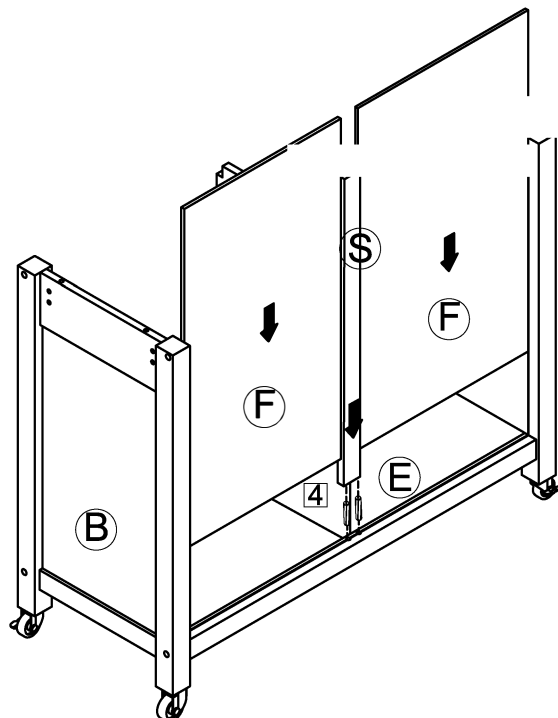
1. Insert 2x Wood Dowels (4) into the designated holes on Right Side Panel (C) as shown and attach (C) to Bottom Panel (E) with Bolt (5). Use Allen Wrench (13) to tighten Bolt (5) completely.
2. Insert 4x Wood Dowels (4) into the designated holes on Left Side Panel (B)
3. Attach (B) to Front Center Rails (M) through Wood Dowels and Cam-bolts and to Bottom Panel (E) at the same time. Fasten (B) to (E) with Bolt (5) using Allen Wrench (13). Tighten Bolt (5) completely. Do not Insert (M) with Cam-lock (6) at this time. Fit Cam-lock only at Step 7.



c) Install Castor (11) and (12), respectively, by inserting and turning clockwise as shown.

STEP 6

- a) Slide Back Panel (F) into Back Post (not completely) as shown.
- b) Insert Wood Dowel (4) at the bottom end of Back Post (S)
- c) Attach Back Post (S) to Bottom Panel (E) and Slide Back Panel (F) completely into the groove on (E), (B) & (C).



ASSEMBLY INSTRUCTIONS KITCHEN CART

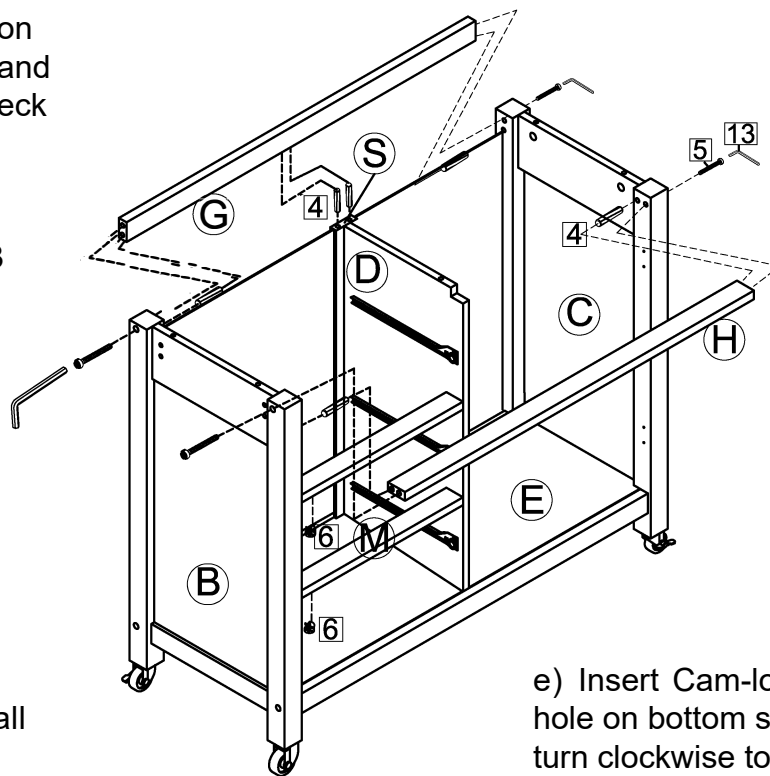
STEP 7

a) Insert Wood Dowel (4) to holes on Back Post (S) and Back Rail (G) as shown.

b) Attach (G) to Wood Dowel (4) on Back Post (S) to fit between Left and Right Side Panel (B&C). Also, check that Back Panel (F) fits into the groove on bottom side of (G).

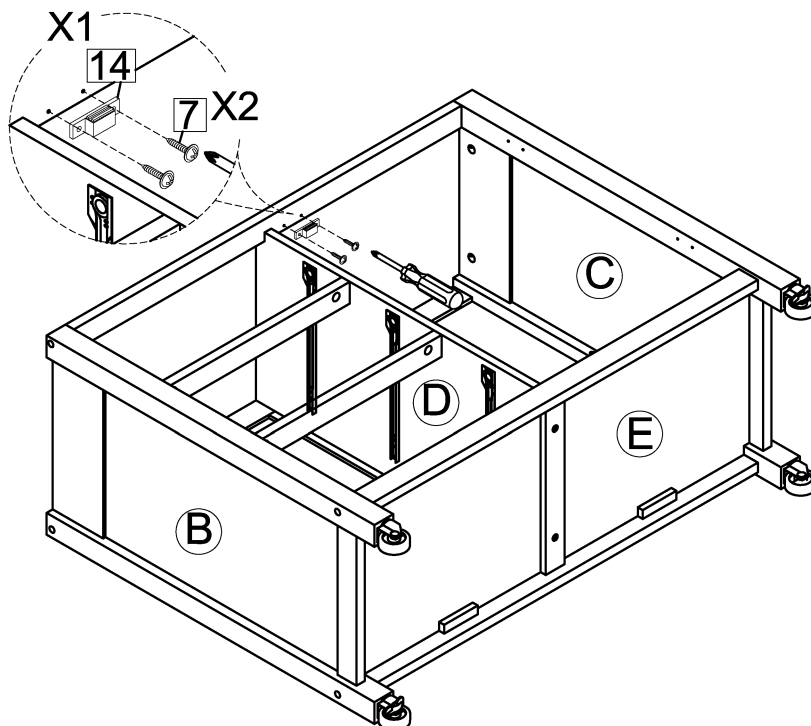
c) Use Bolt (5) to fasten (G) to (B & C). Do not tighten completely until Step 7 b)

d) Insert Wood Dowel (4) to Front Top Rail (H) as shown. Attach (H) to Left & Right Side Panel (B & C). (Check that Front Center Rails (M) remain attached to (B)). Fasten (H) to (B & C) with Bolt (5). Fasten all 4x Bolt (5) in Step 7 completely.



e) Insert Cam-lock (6) to each hole on bottom side of (M) and turn clockwise to lock Cam-bolt.

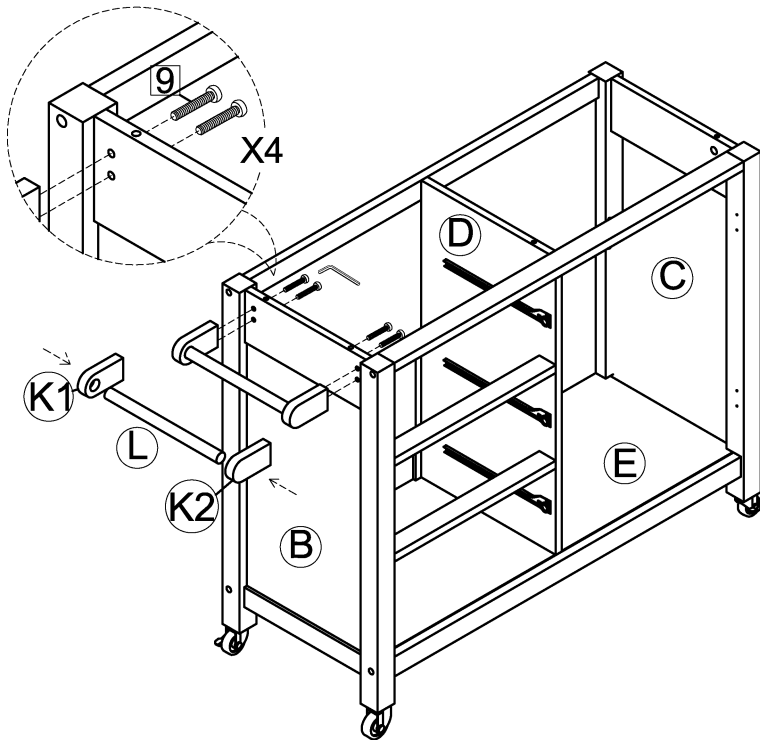
STEP 8



Install Magnetic Catch (14) to Front Top Rail (H) using Screw (7) as shown.

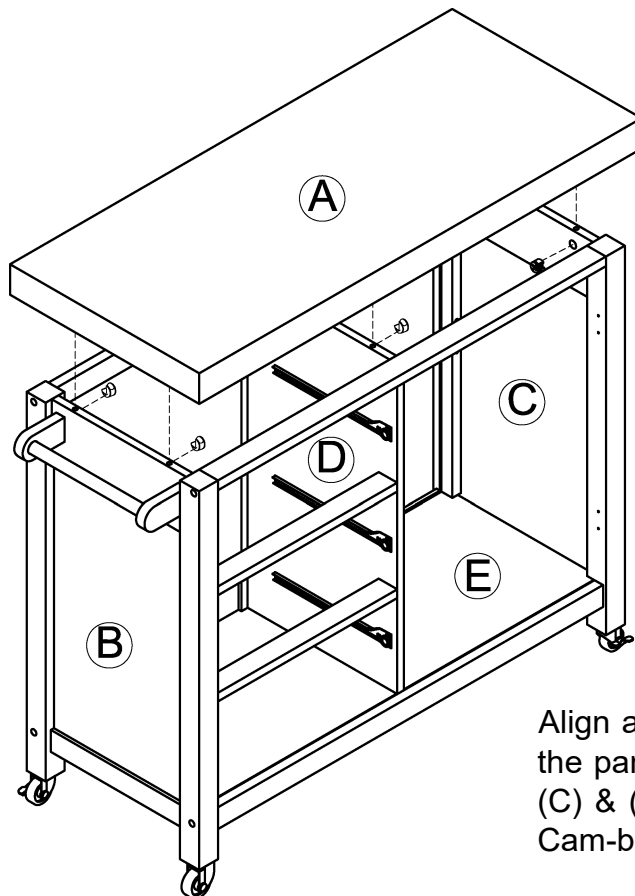
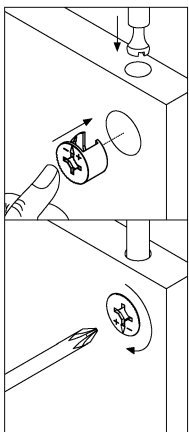
ASSEMBLY INSTRUCTIONS KITCHEN CART

STEP 9



- Use Allen Wrench to drive Bolt (9) to affix Towel Rack support (K1) to the designated holes on Left Side Panel (B).
- Insert Towel Rod (L) to (K1)
- Position (K2) to hold (L) and align to the designated holes. Use Allen Wrench to drive Bolt (9) to affix Towel Rack Support (K2)

STEP 10

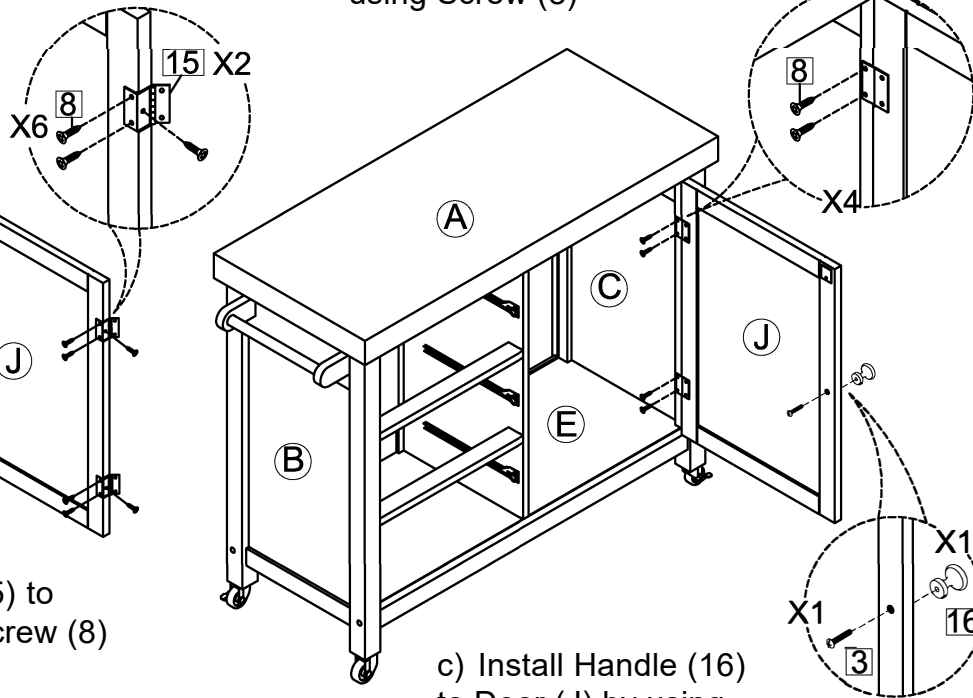


Align and firmly attach Top Panel (A) to the panels. Insert Cam-lock (6) in (B), (C) & (D) and turn clockwise to secure Cam-bolt on (A).

ASSEMBLY INSTRUCTIONS KITCHEN CART

STEP 11

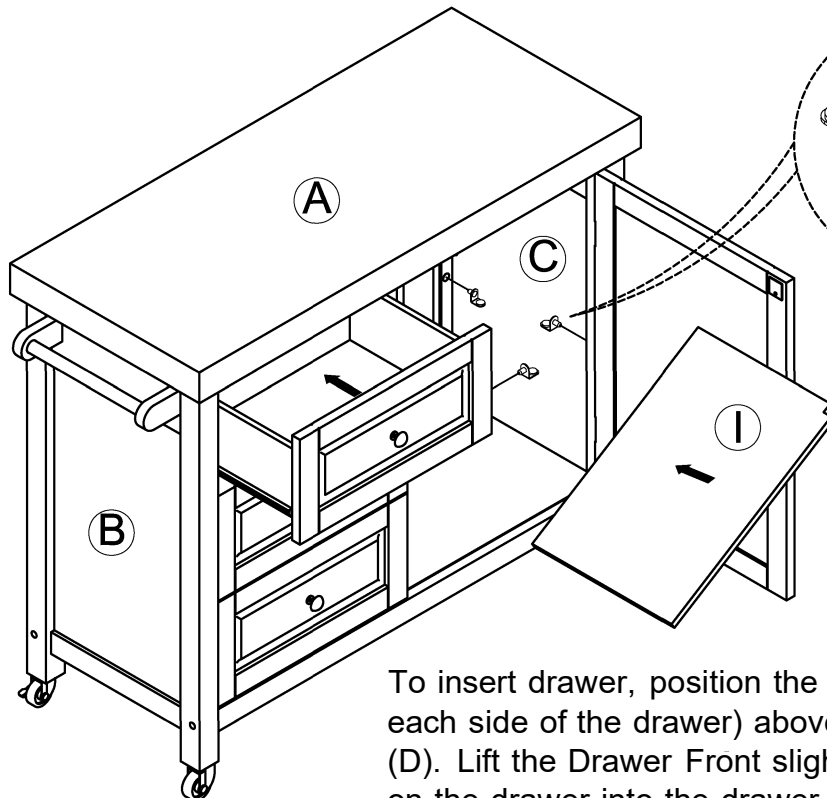
b) Fasten Hinge (15) to Right Panel (C) by using Screw (8)



a) Fasten Hinge (15) to Door (J) by using Screw (8)

c) Install Handle (16) to Door (J) by using Handle Bolt (3)

STEP 12



a) Insert Shelf Support (10) and insert Shelf (I)

b) Insert Drawers to complete assembly

To insert drawer, position the rollers (on the drawer slide on each side of the drawer) above the rollers on Panels (B) & (D). Lift the Drawer Front slightly upward and slide the rollers on the drawer into the drawer slide, and then push in the drawer gently.