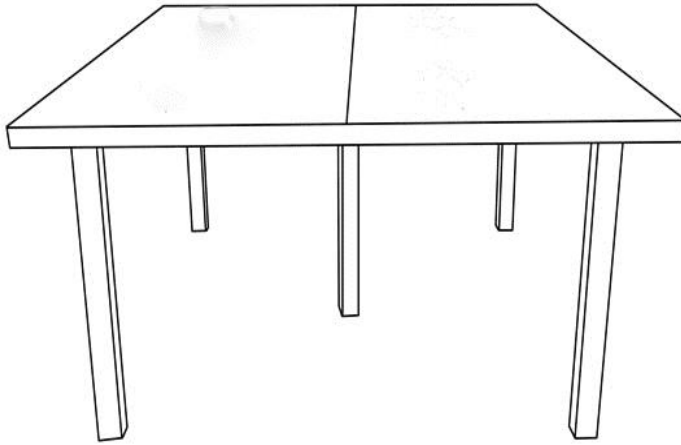


Assembly Instructions

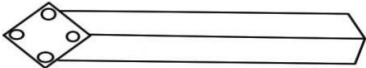
Caution : You must read this before you proceed

TABLE

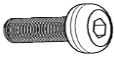
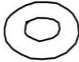



Parts List

Label	Picture	Description	QTY
A		Table Top Left	1
B		Table Top Right	1
C		Support Bar	2
D		Table Middle Leg	1

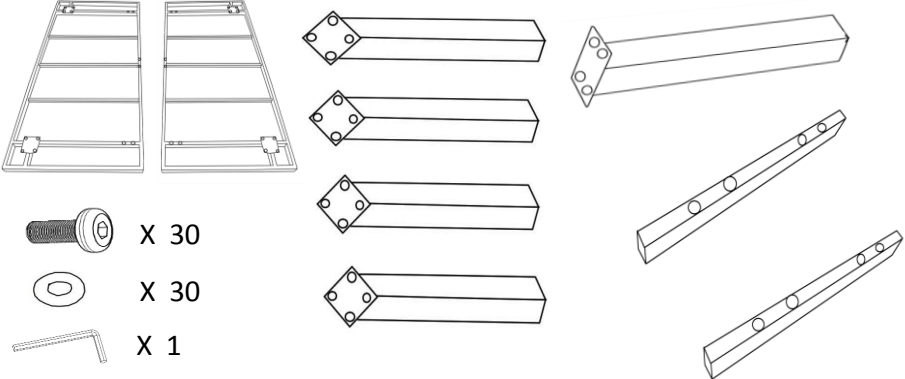
E		Table Leg	4
---	--	-----------	---




Hardware






Label	Picture	Description	QTY
①		Bolt(M6*20mm)	30
②		Washer	30
③		Allen Key	1

Assembly Preparation

Before Beginning Assembly:

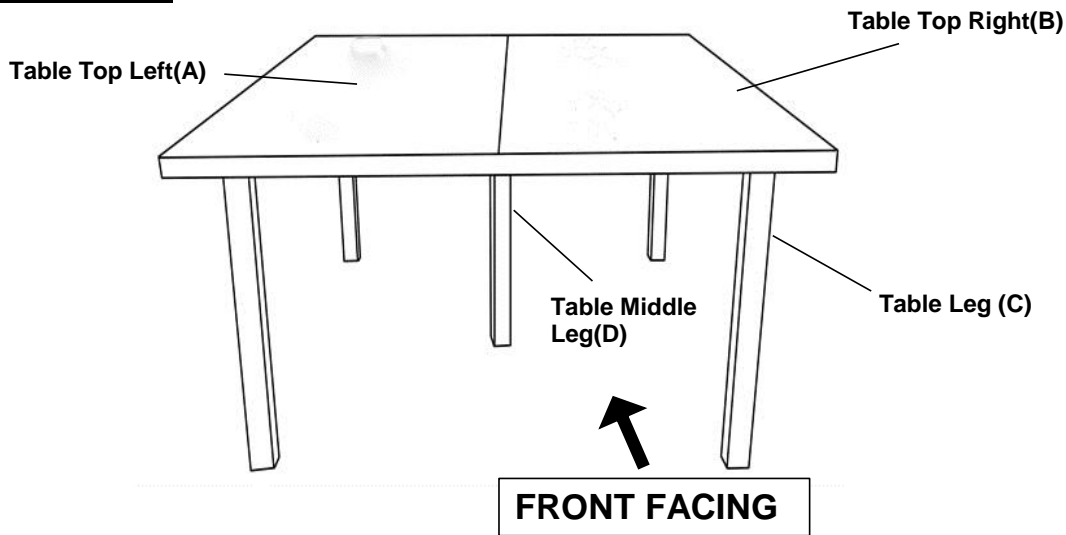


 X 30
 X 30
 X 1

-  • Read instructions, cover to cover-
-  • Have 2 adults on hand for assembly-
-  • Do not assemble on flooring or carpet-
-  • Assemble on a clean non-marring surface (packing foam)-
-  • Save all packaging until finished-

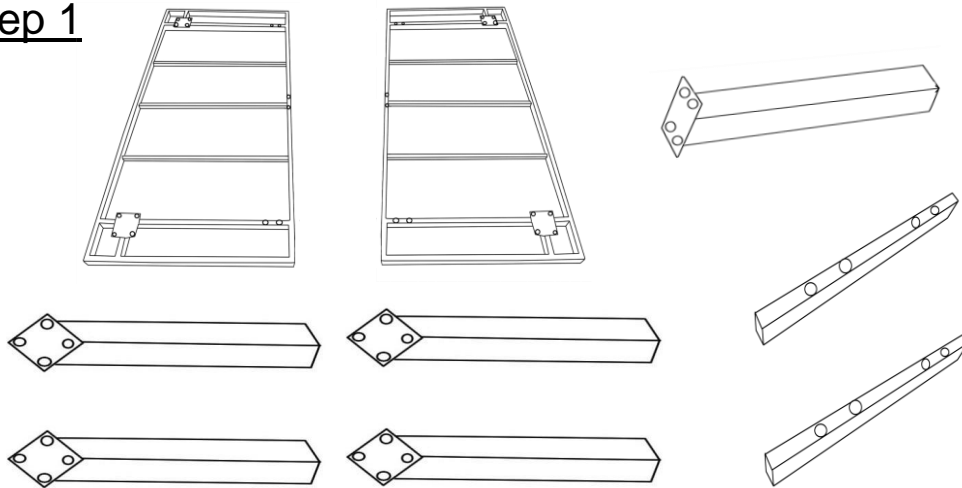
Assembly Steps

Overview



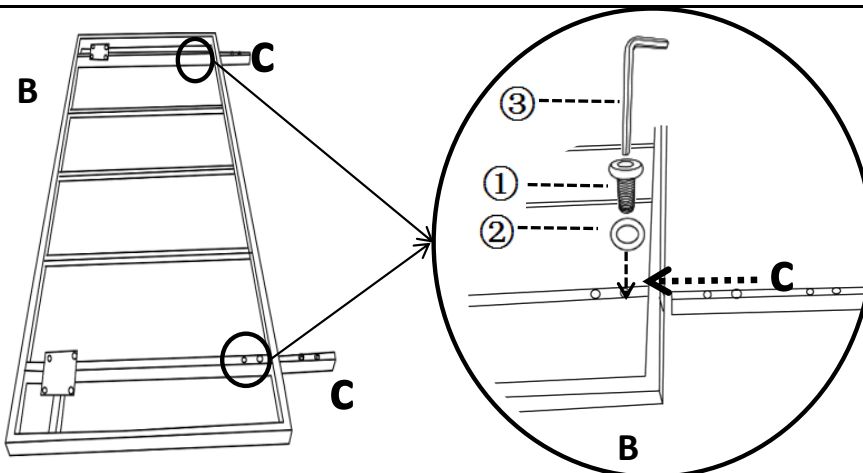
This Table has multiple parts and may require up to some 30 minutes to assemble. To give you an overview of the Barstool parts, the above picture is to help you put the various parts into perspective. Please read through the instructions below to familiarise yourself with the parts and steps before assembly.

Step 1



Open the carton and place all the parts on a clean, non-marring surface.

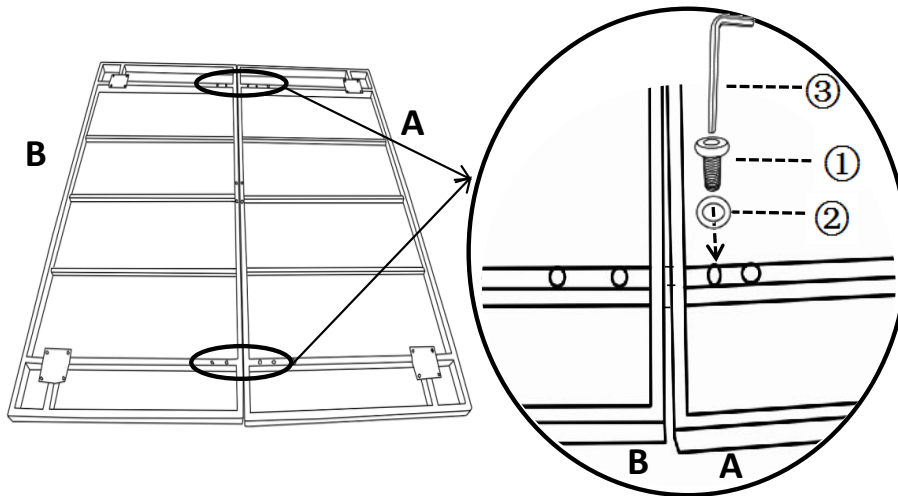
Step 2



Turn the Table Top Right(B) face down on a clean, non-marring surface. Attach Support Bar(C) to Table Top Right(B) using Bolts(①) and Washers(②) with Allen Key(③).

Do not fully tighten the Bolts.

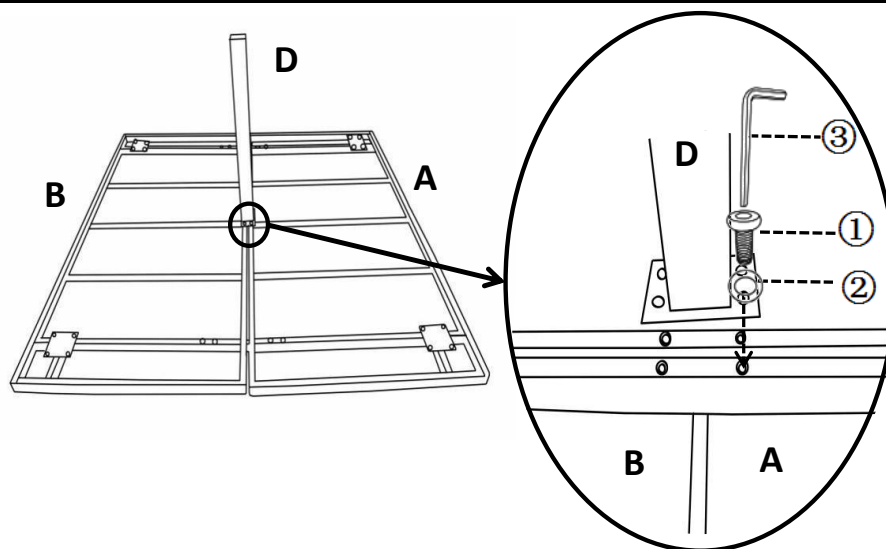
Step 3



Repeat Step 2 ,Attach Support Bar(C) to Table Top(A) using Bolts(①) and Washers(②) with Allen Key(③).

Do not fully tighten the Bolts.

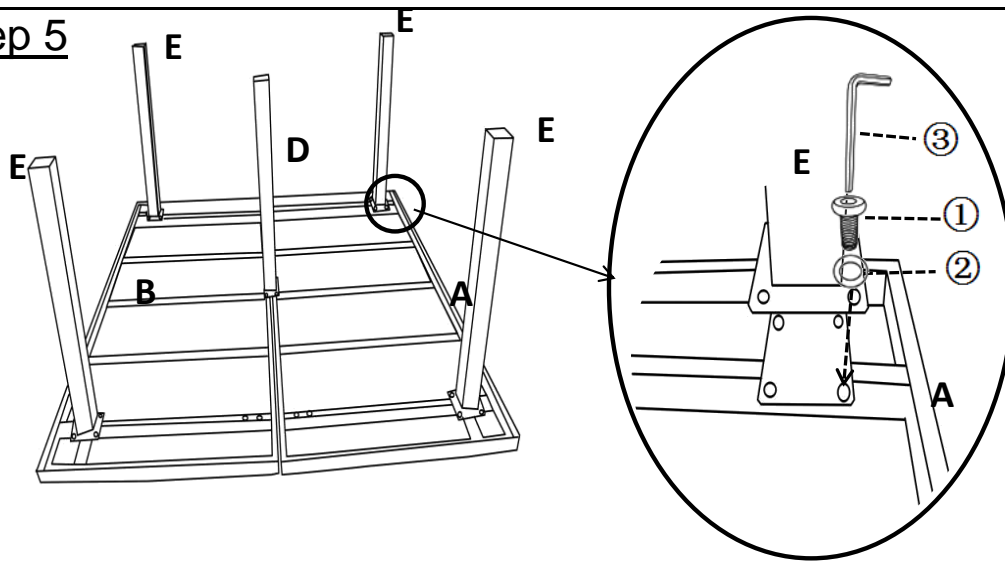
Step 4



Attach Table Middle Leg (D) to Table Top(A)&Table Top (B) using Bolts(①) and Washers(②) with Allen Key(③).

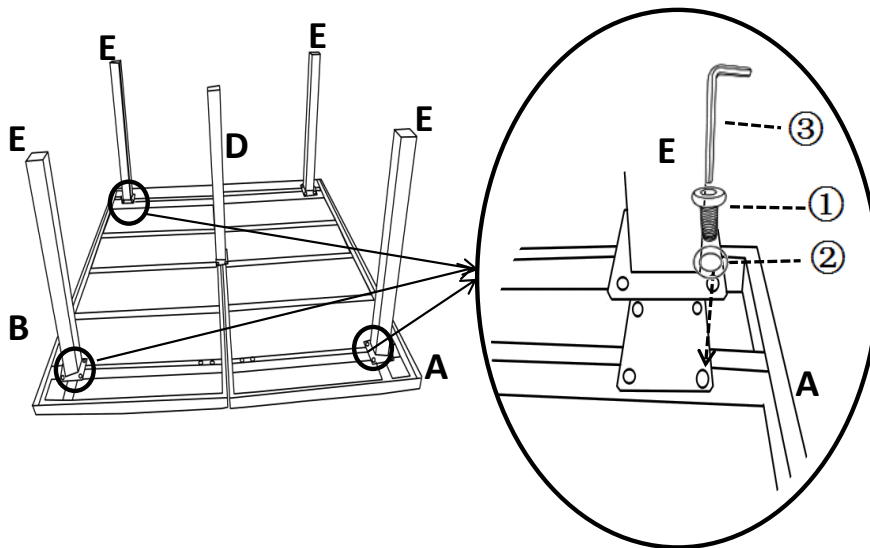
Do not fully tighten the Bolts.

Step 5



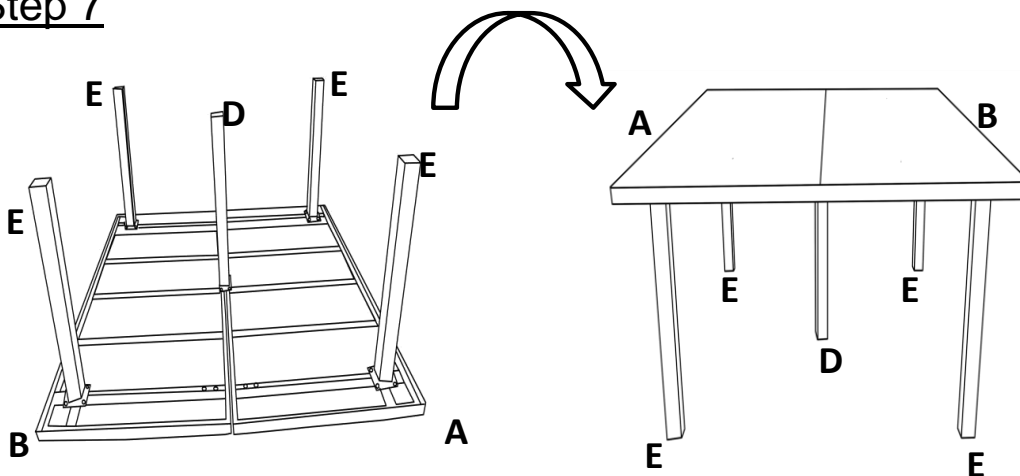
Attach Table leg (E) to Table Top(A)&Table Top (B) using Bolts(①) and Washers(②) with Allen Key(③).
Do not fully tighten the Bolts.

Step 6



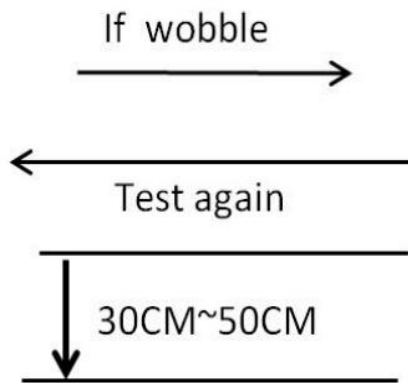
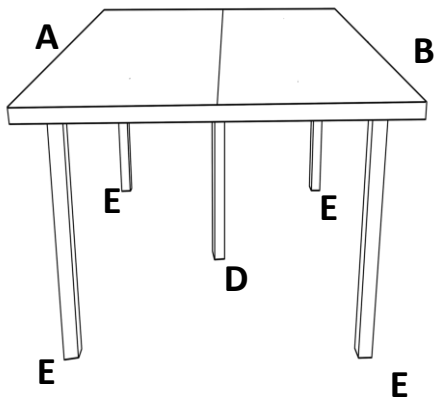
Repeat Step 5 to assemble balance Table Legs(E) , using Bolts(①) and Washers(②) with Allen Key(③).
Do not fully tighten the Bolts.

Step 7



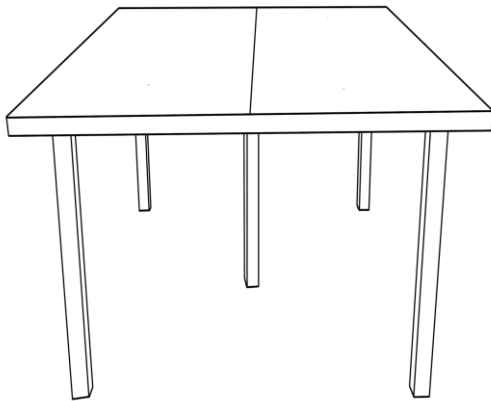
Turn the table upside,as above shown.

Step 8























Place the table on a **LEVEL SURFACE** to see if it wobbles.
If it wobbles, lift the table to some 30cm to 50cm height from the ground.
Keep your feet and toes well away from the drop zone.
Drop the table freely and vertically with the four legs, hitting the ground, at the same time.
This Drop Test will help to ensure that all the bolts and gaps to all reach full alignment status.
Test again for evenness on a **LEVEL SURFACE**.
If no wobbles found, lay down the table and proceed to tighten all the bolts.

Step 9



Stand the table. Your table is ready for use on a **LEVEL SURFACE**.

Care & Maintenance

-   ● Do not put hot items directly on furniture surface
-   ● Do not clean furniture with harsh cleansers or polish.
-   ● To obtain the longest lifespan of your outdoor products, minimizing exposure to direct sunlight is recommended.
-   ● Children should not climb or jump on the furniture.
-   ● Do not write on furniture without a padded barrier to protect the surface.
-   ● To obtain the longest lifespan of your outdoor products, avoid extended and lengthy exposure to rain, snow, and direct sunshine. Whenever possible cover the product and /or place under patio or awnings.
-   ● Not for commercial use. For residential use only .
-   ● Stains may be removed with mild soap solution and damp cloth.
-   ● Keep away from sources of ignition.
-   ● Dust and pick-up spills using a clean, non-colored, lint-free cloth.

Questions & Answers about Proposition 65

• What is Proposition 65?

Proposition 65 requires businesses to provide warnings to Californians about significant exposures to chemicals that cause cancer, birth defects or other reproductive harm. These chemicals can be in the products that Californians purchase, in their homes or workplaces, or that are released into the environment. By requiring that this information be provided, Proposition 65 enables Californians to make informed decisions about their exposures to these chemicals.

Proposition 65 also prohibits California businesses from knowingly discharging significant amounts of listed chemicals into sources of drinking water.

Proposition 65 requires California to publish a list of chemicals known to cause cancer, birth defects or other reproductive harm. This list, which must be updated at least once a year, has grown to include approximately 900 chemicals since it was first published in 1987.

• What types of chemicals are on the Proposition 65 list?

The list contains a wide range of naturally occurring and synthetic chemicals that include additives or ingredients in pesticides, common household products, food, drugs, dyes, or solvents. Listed chemicals may also be used in manufacturing and construction, or they may be byproducts of chemical processes, such as motor vehicle exhaust.

• What does a warning mean?

If a warning is placed on a product label or posted or distributed at a workplace, a business, or in rental housing, the business issuing the warning is aware or believes that it is exposing individuals to one or more listed chemicals.

By law, a warning must be given for listed chemicals unless the exposure is low enough to pose no significant risk of cancer or is significantly below levels observed to cause birth defects or other reproductive harm.

• Where can I get more information on Proposition 65?

If you have specific questions on the administration or implementation of Proposition 65, you can contact OEHHA's Proposition 65 program at P65.Questions@oehha.ca.gov, or by phone at (916) 445-6900.