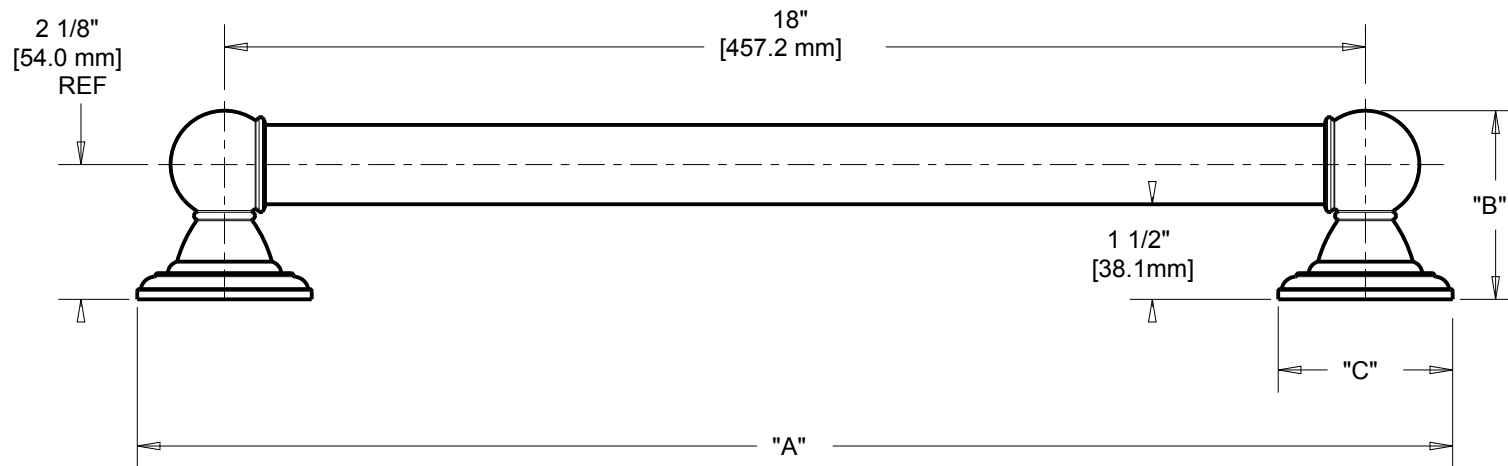
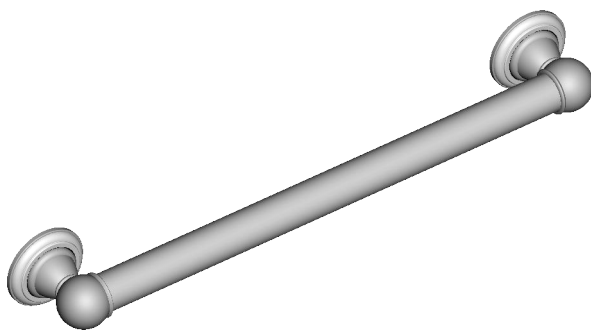


VICTORIAN GRAB BAR

16", 18", 24" GRAB BAR



MATERIALS: Grab bar is constructed using 1-1/4" diameter 20 gauge 304 stainless steel tubing. Decorative posts and trim rings are cast in zinc. Trim rings are held in place using a friction fit. Meets ADA and ANSI A117.1-2003 for form and load bearing requirements.

INSTALLATION: Install grab bar with 3 - #10 x 2-1/2" flat head stainless steel screws provided for each end wall flange. Slide cover flanges over wall flanges and press firmly to complete installation.

OPTIONAL FASTENER INFORMATION: Wall studs or Wood blocking is preferable behind all wall surfaces. If wood blocking is not available, the following fasteners are suggested: Non-Stud Wall anchor.

LENGTH	A (Total length)	B (Height)	C (Post Base Diameter)
16"	18 3/4" (476.3 mm)	2 31/32" (75.6 mm)	2 23/32" (69 mm)
18"	27 1/32" (686.6 mm)	2 31/32" (75.6 mm)	2 23/32" (69 mm)
24"	26 3/4" (679.5 mm)	2 31/32" (75.6 mm)	2 23/32" (69 mm)

SPECIFICATION: Surface mounted Grab Bar shall be model _____
(fill in model number) by Liberty Hardware Manufacturing Corporation.