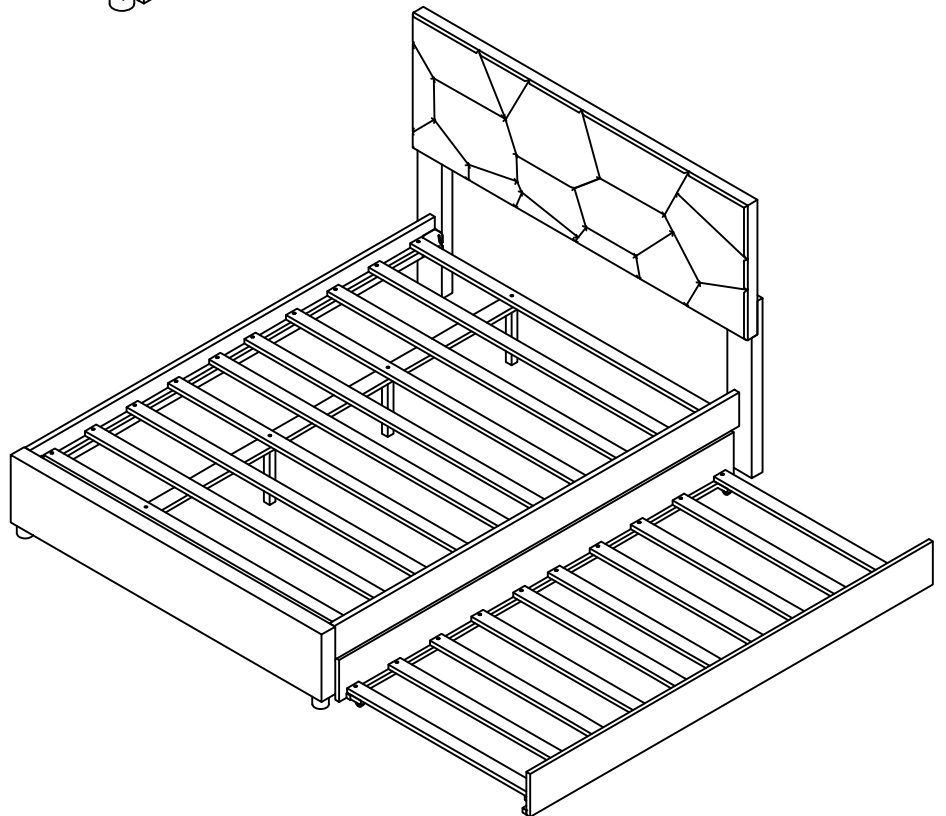
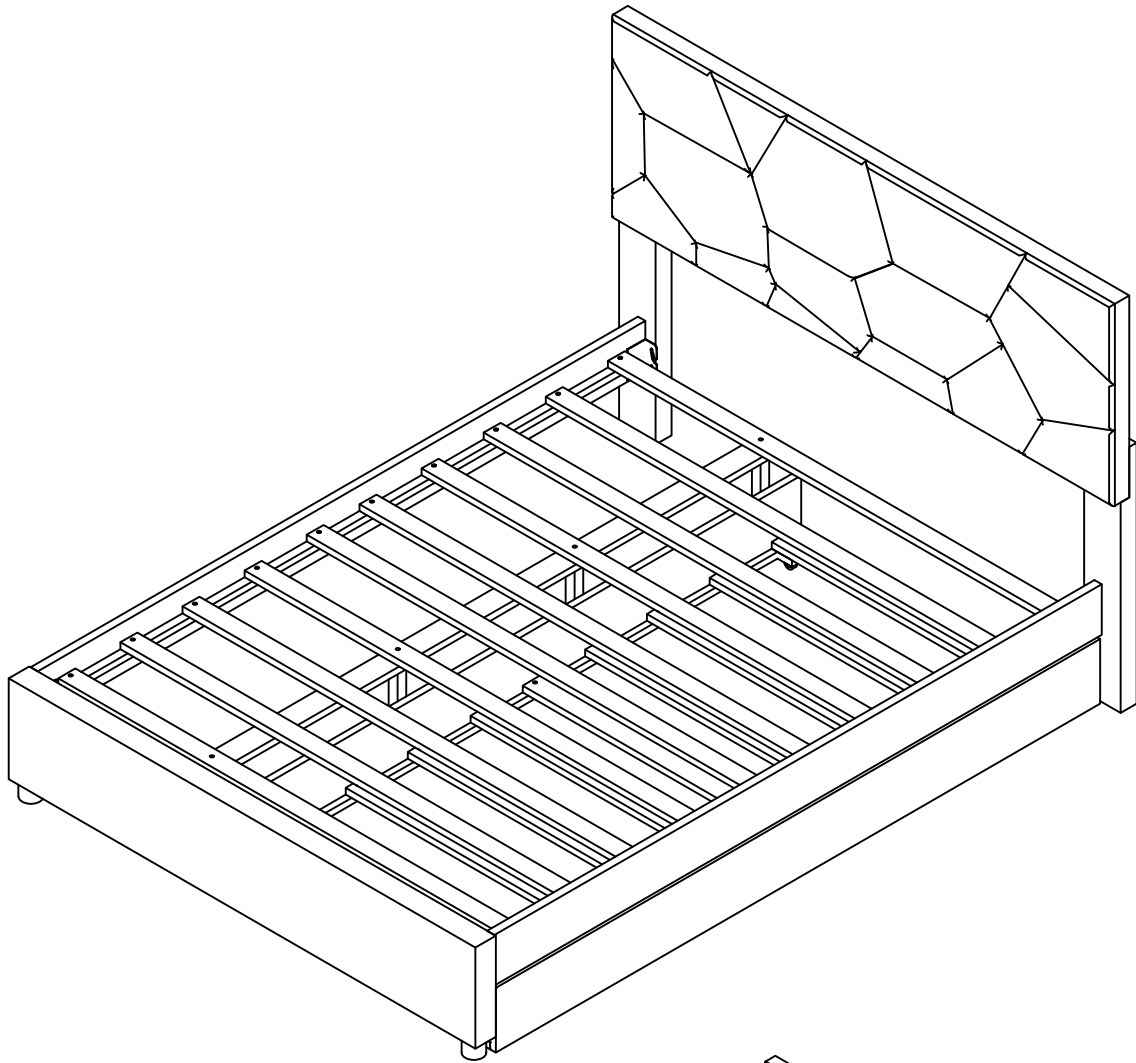
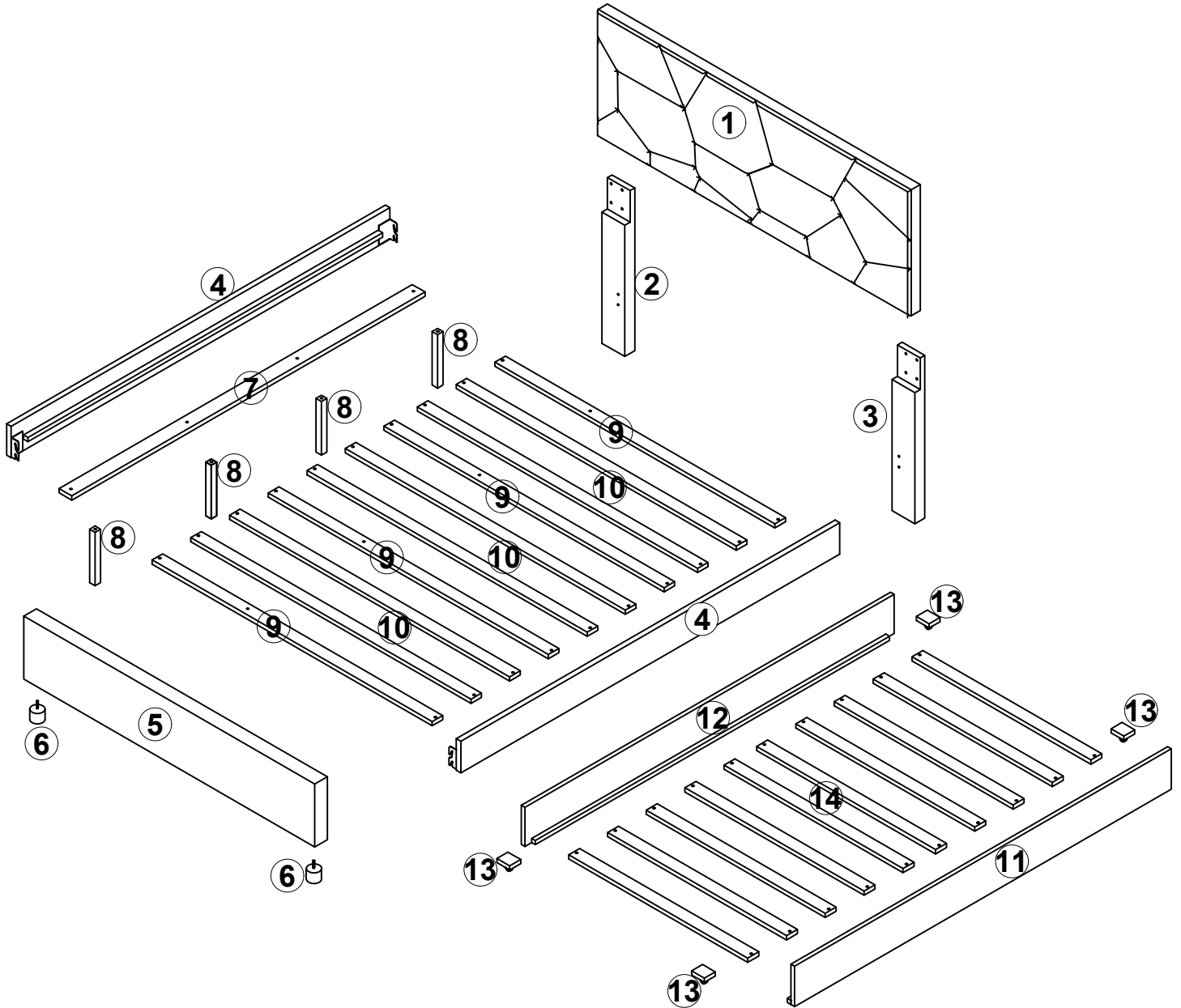


ASSEMBLY INSTRUCTION

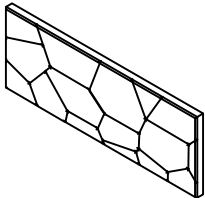


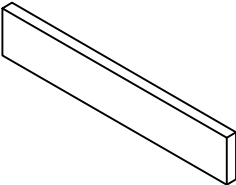

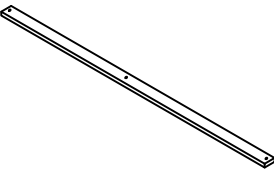
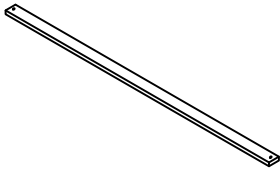

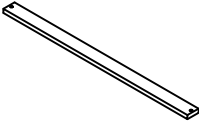


Detail View - FULL BED WITH TRUNDLE

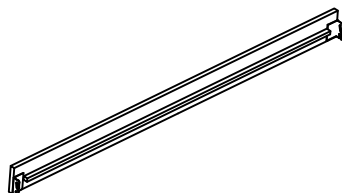
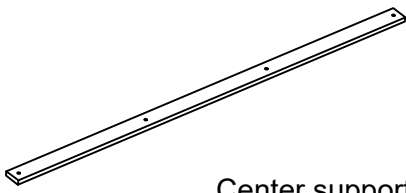

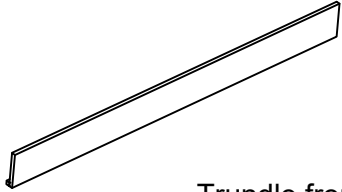
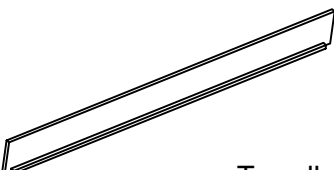


Identifying the Hardware - Identify the hardware using the illustrations below.

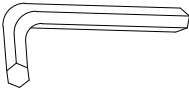
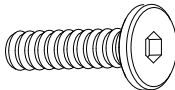
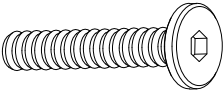


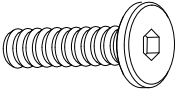


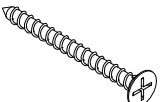
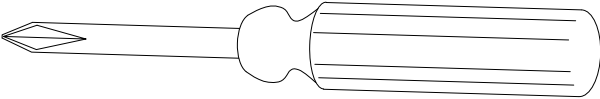
Part Lists

<p>1</p>  <p>Headboard-1pc</p>	<p>2</p>  <p>Headboard left leg -1pc</p>
<p>3</p>  <p>Headboard right leg-1pc</p>	<p>5</p>  <p>Footboard - 1pc</p>
<p>6</p>  <p>Footboard leg -2pcs</p>	<p>9</p>  <p>Bed slat 1 - 4pcs</p>
<p>10</p>  <p>Bed slat 2 -6pcs</p>	<p>13</p>  <p>Wheel support -4pcs</p>
<p>14</p>  <p>Trundle slat -10pcs</p>	

Part Lists

<p>4</p>  <p>Side rail - 2pcs</p>	<p>7</p>  <p>Center support bar -1pc</p>
<p>8</p>  <p>Center support leg - 4pcs</p>	<p>11</p>  <p>Trundle front panel -1pc</p>
<p>12</p>  <p>Trundle back panel -1pc</p>	

HARDWARE LISTS

A  4mm Allen key (1pc)	B  Ø5/16" x 20mm Hex-head bolt (8pcs)
C  Ø5/16" x 40mm Hex-head bolt (4pcs)	D  Ø5/16" Spring washer (12pcs)
E  Ø5/16" Flat washer(12pcs)	F  Ø1/4" x 45mm Hex-head bolt (4pcs)
G  Ø1/4" Spring washer (4pcs)	H  Ø1/4" Flat washer(4pcs)
I  Ø4 x 30mm Wood screw (48pcs)	
	
ASSEMBLY TOOLS REQUIRED (NOT INCLUDED)	



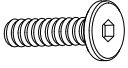
Read this instruction carefully. See hardware and furniture part list for guidance. Be sure all parts are complete, before you assemble. Place all wooden furniture parts on a clean and flat soft surface to prevent from being scratched. Follow the figure to start assembling.

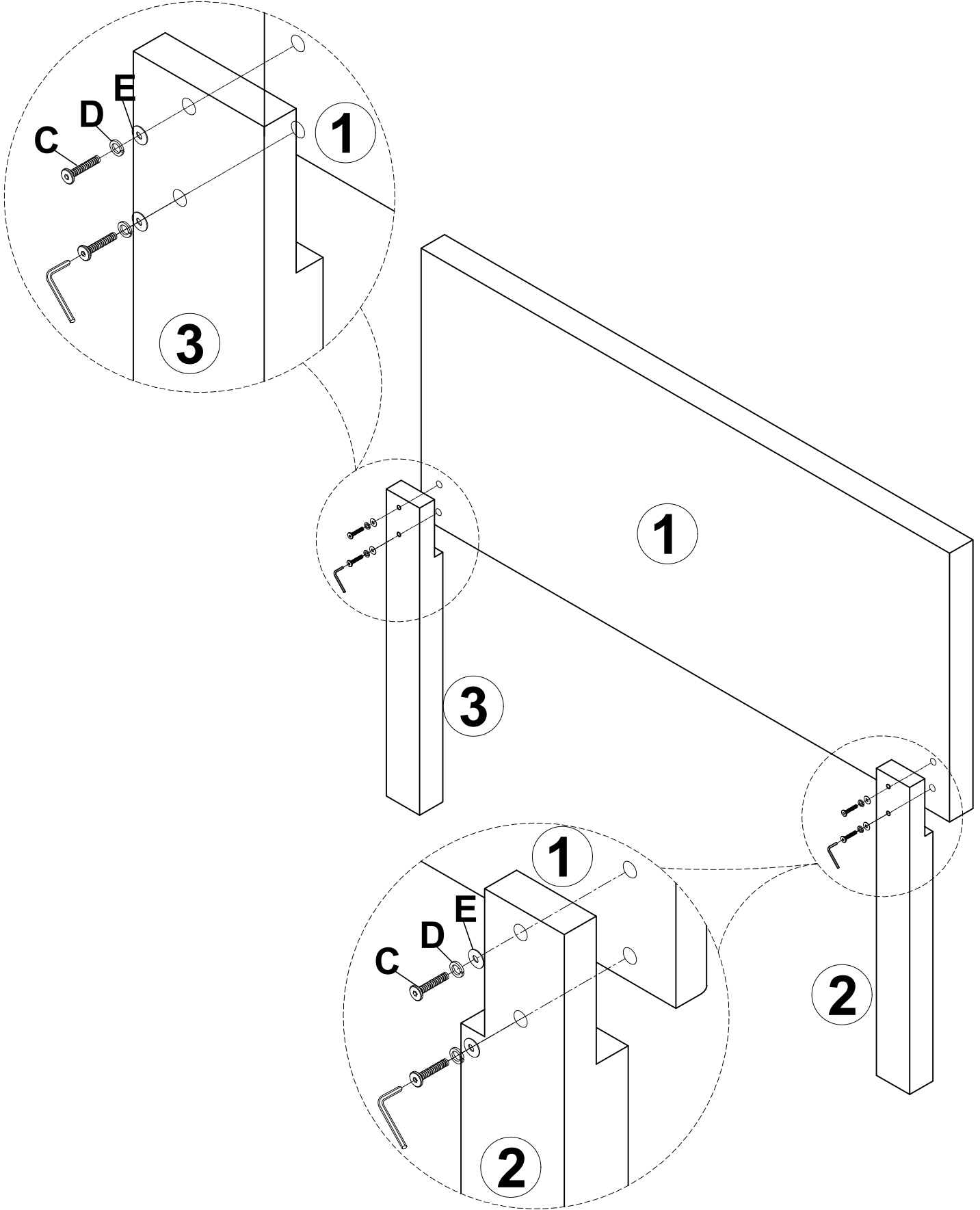
CAUTIONS :

1. Do not FULLY - TIGHTEN the nut or nut bolt until all nut or bolt is ready assembled.
2. Do not OVER - TIGHTEN the nut or bolt to avoid causing damages to the thread.
3. Keep all hardware parts out of reach of children.

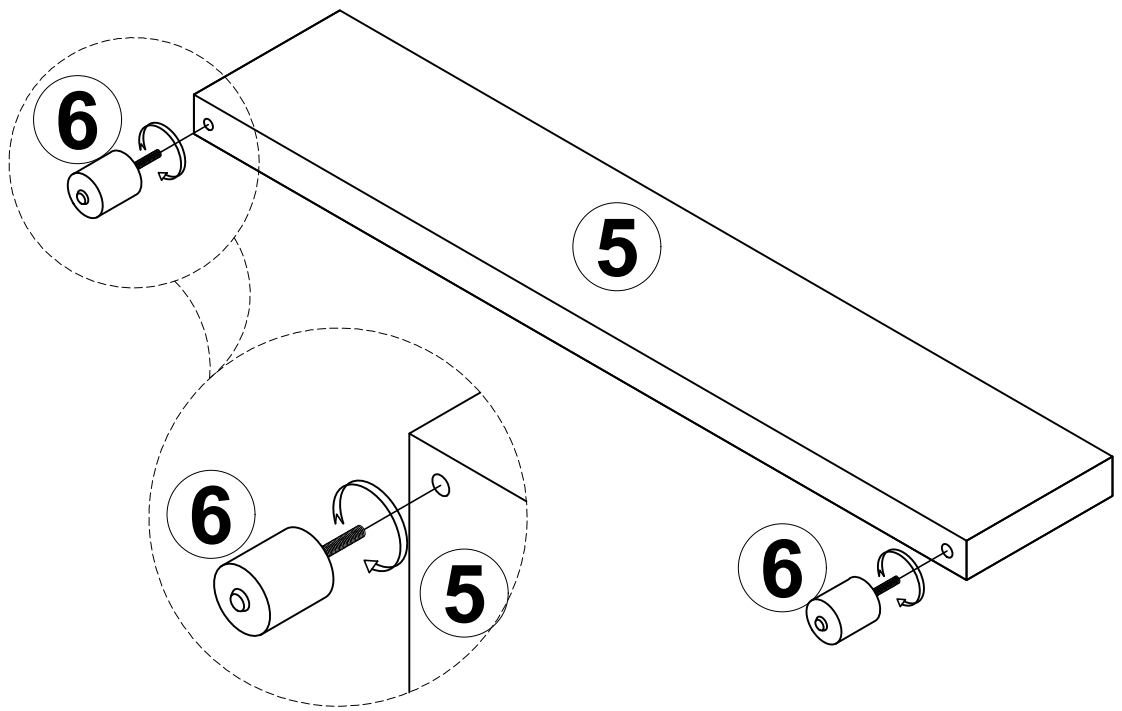
NOTE : THE LIST AND QUANTITY SHOWN ARE FOR 1 UNIT ASSEMBLY.

STEP 1



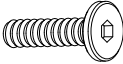
E 	D 	C 
4PCS	4PCS	4PCS

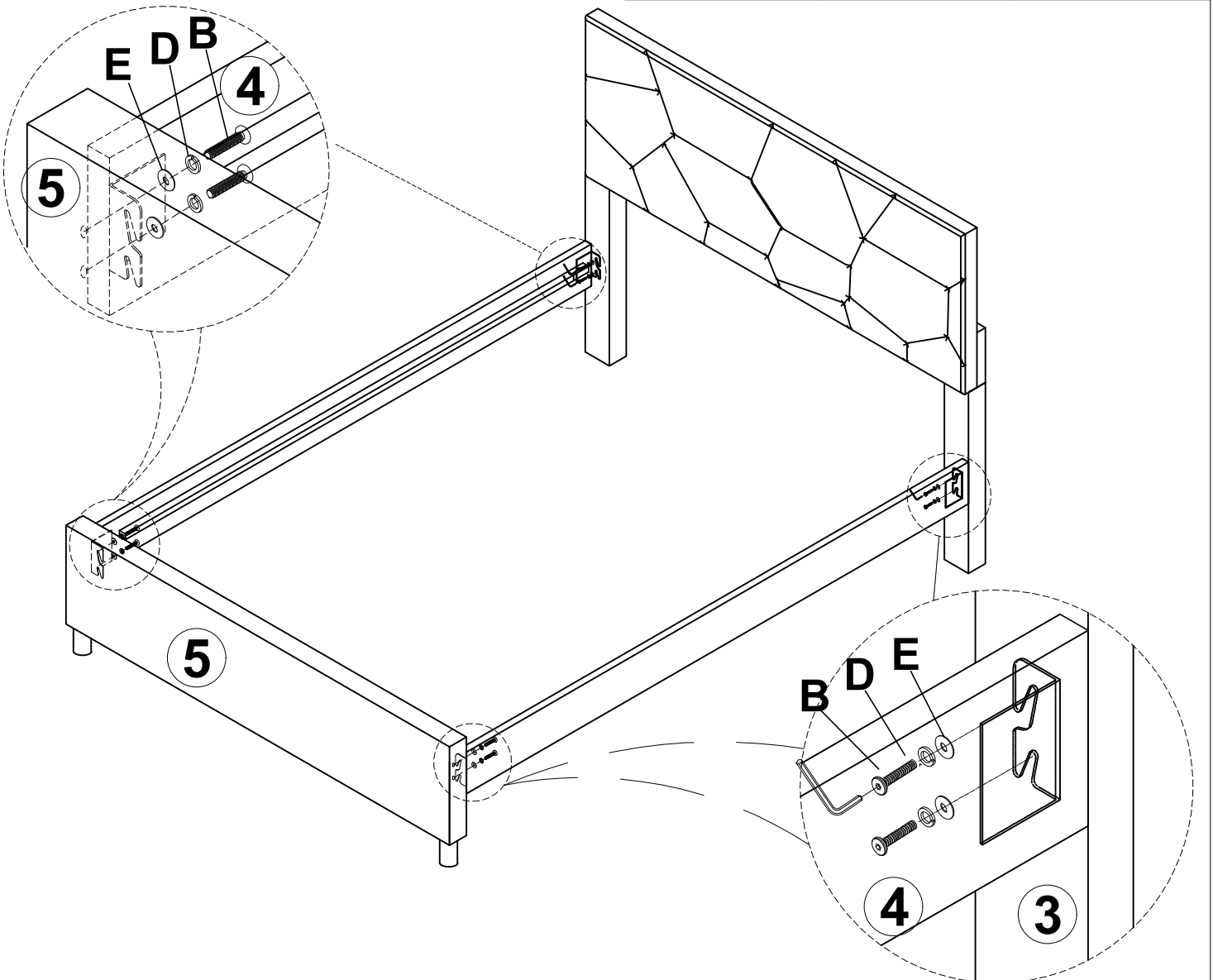


STEP 2



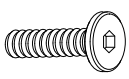


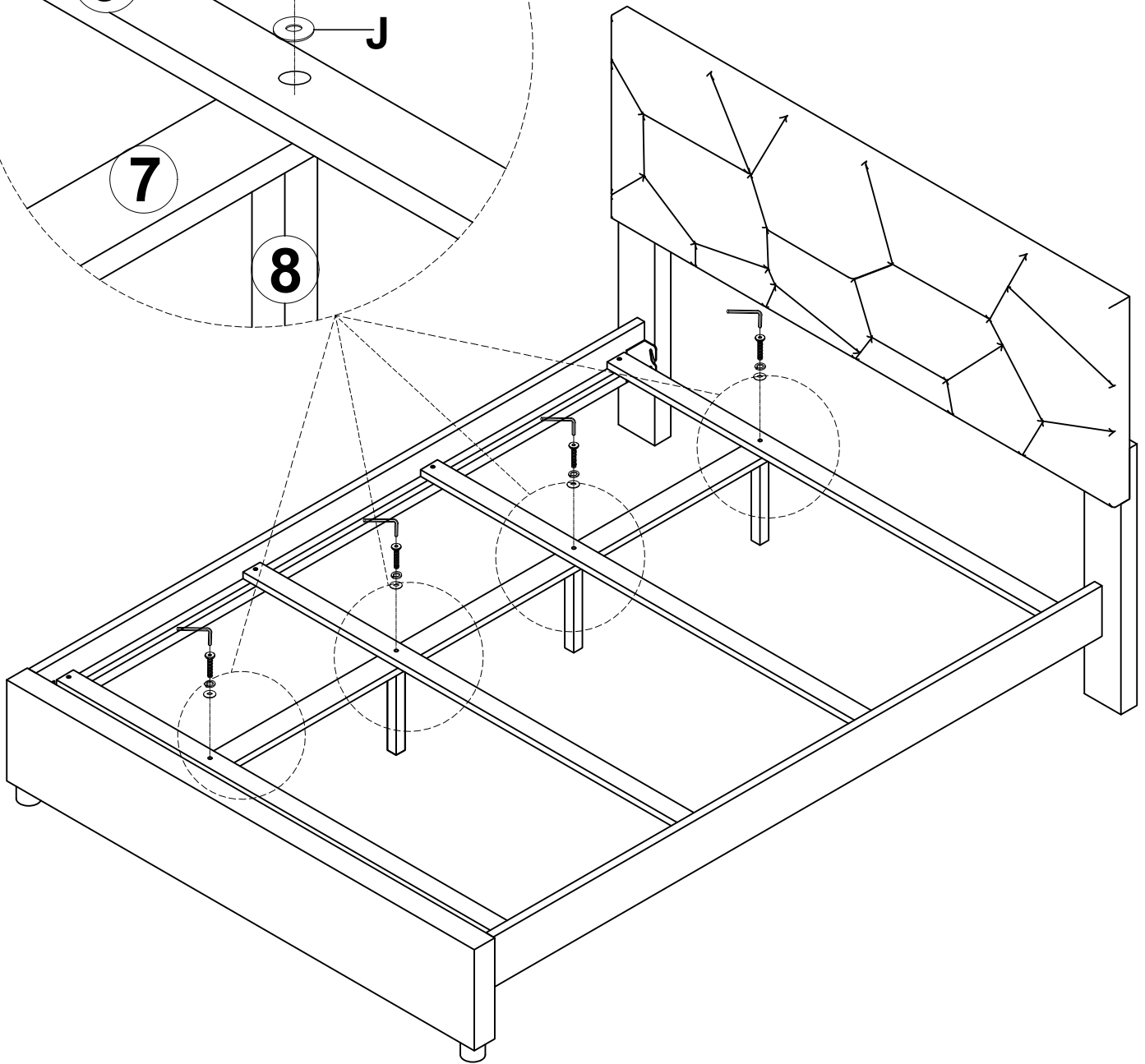
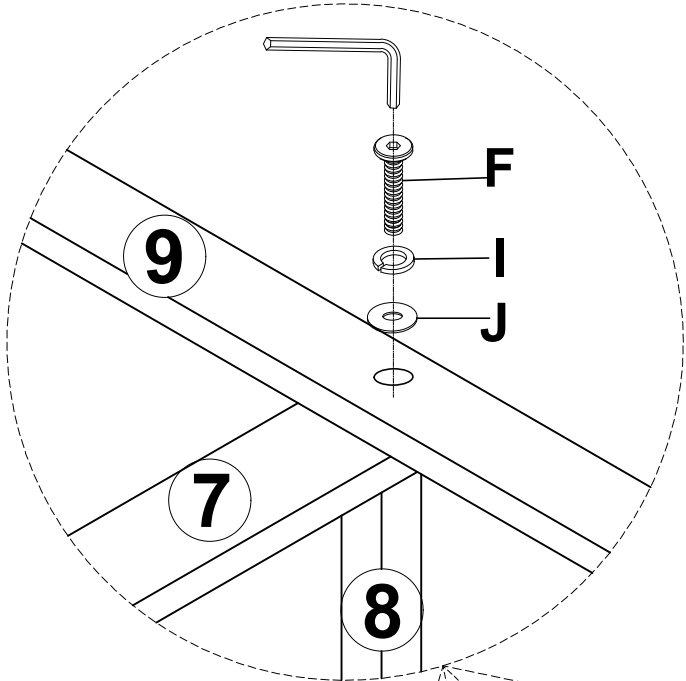
STEP 3

E		D		B	
8PCS		8PCS		8PCS	



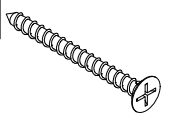
STEP 4

J 	I 	F 
4PCS	4PCS	4PCS

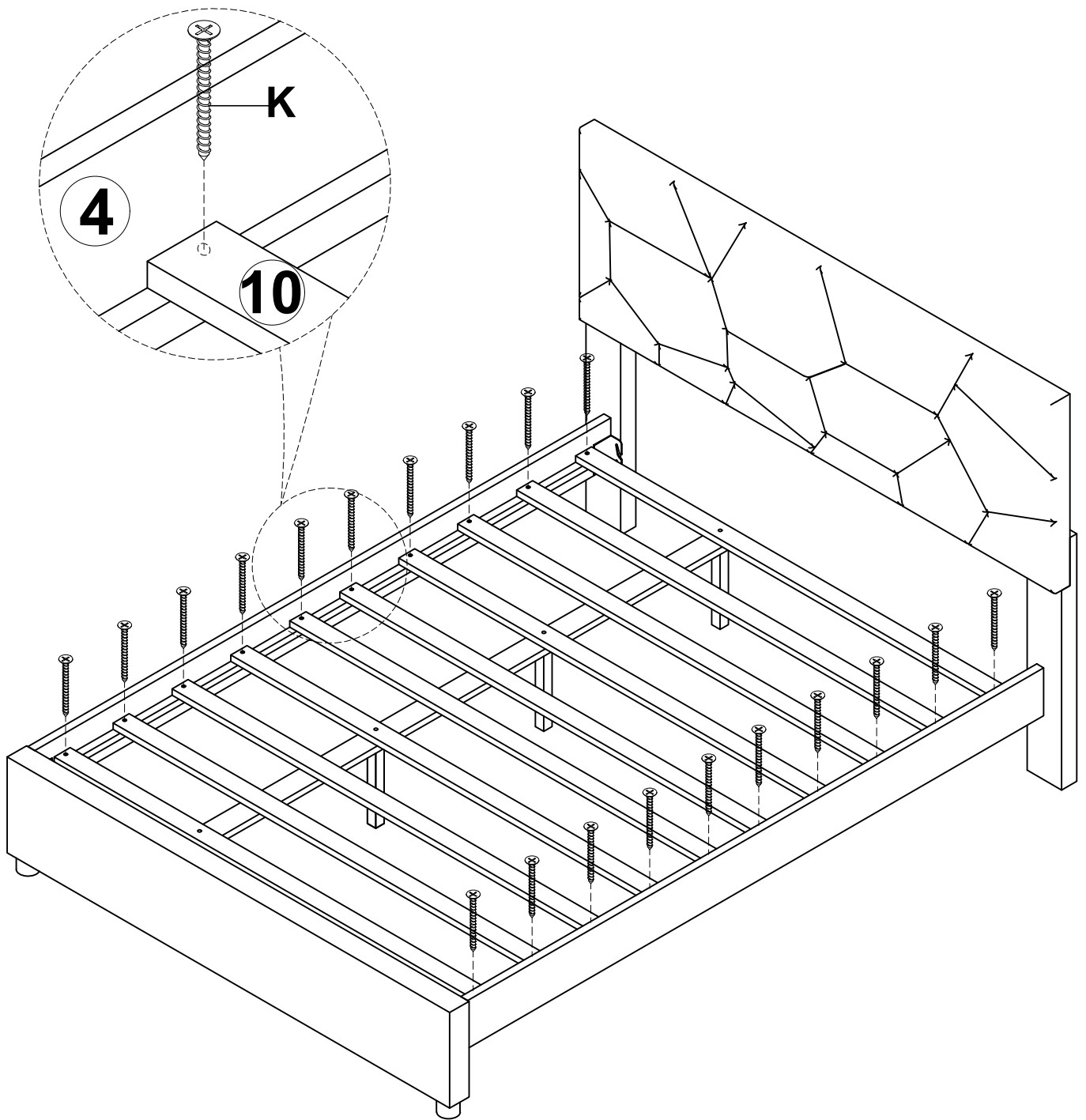


STEP 5

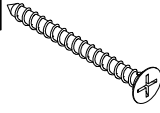
K

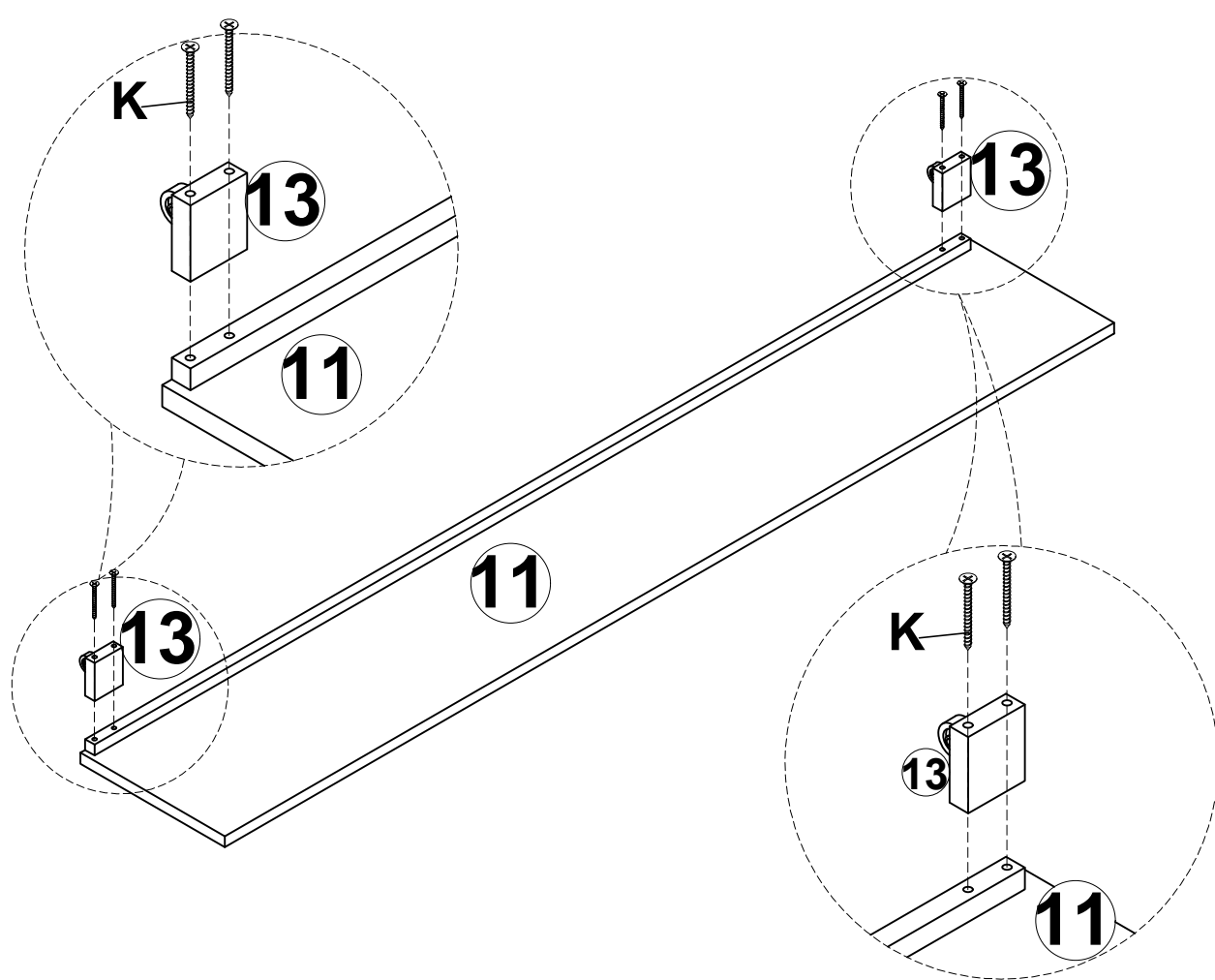
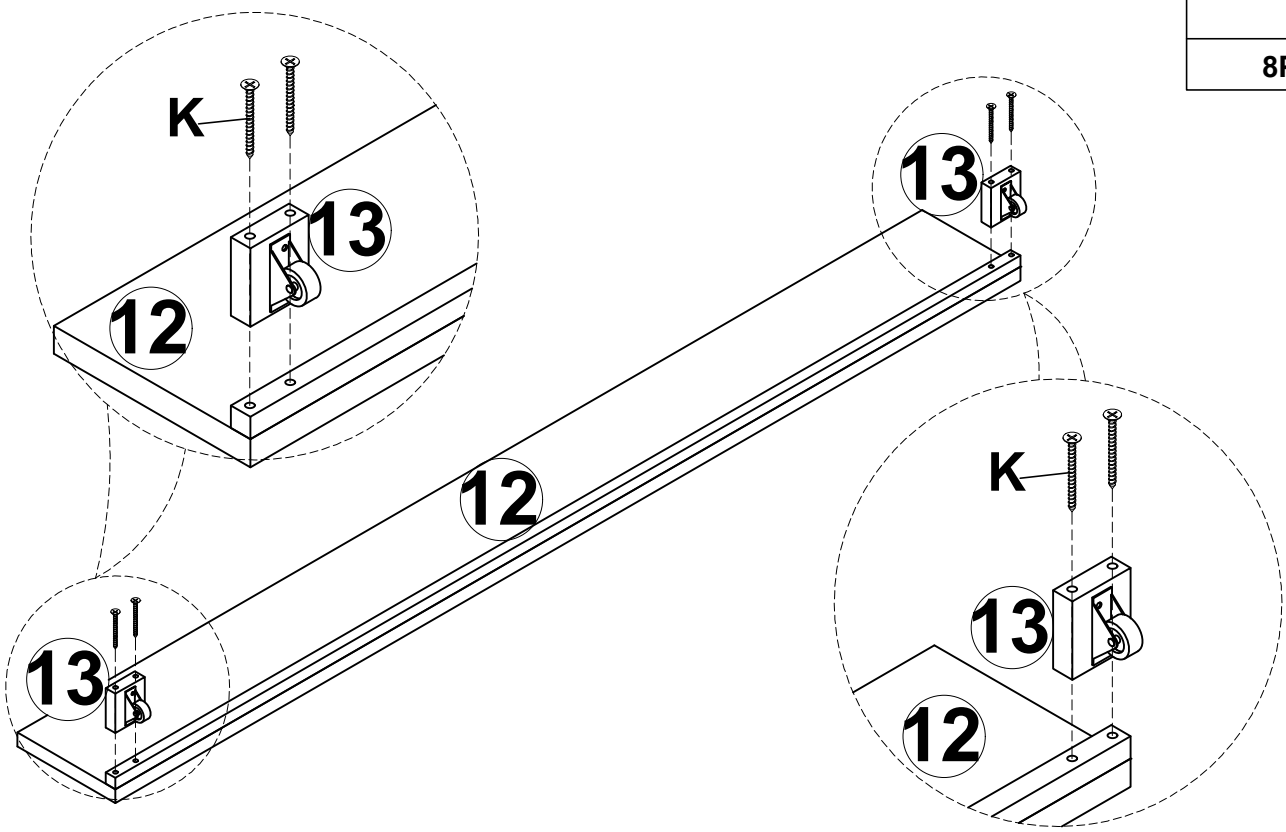


20PCS

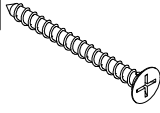


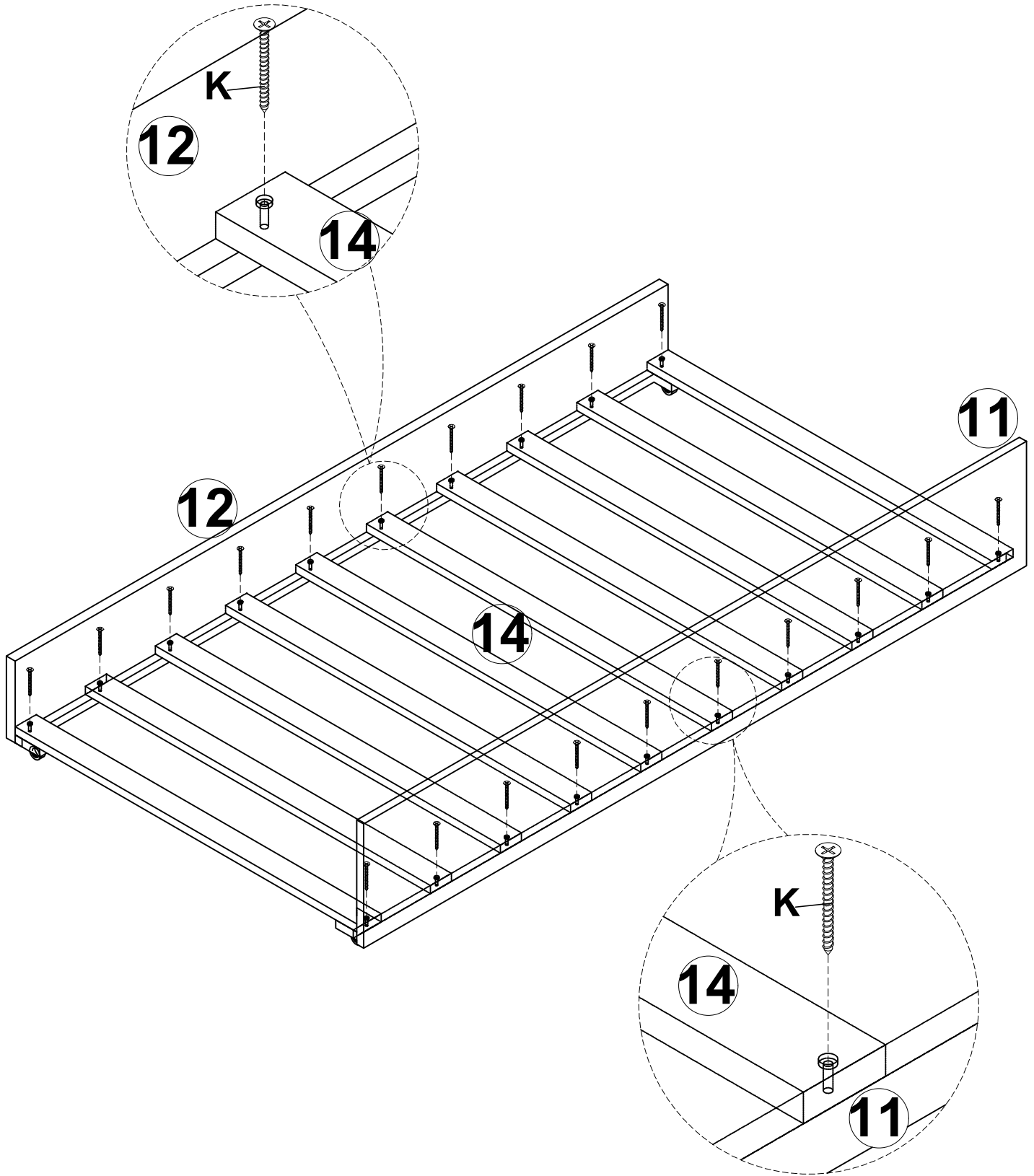
STEP 6

K	
8PCS	



STEP 7

K 
20PCS



STEP 8

