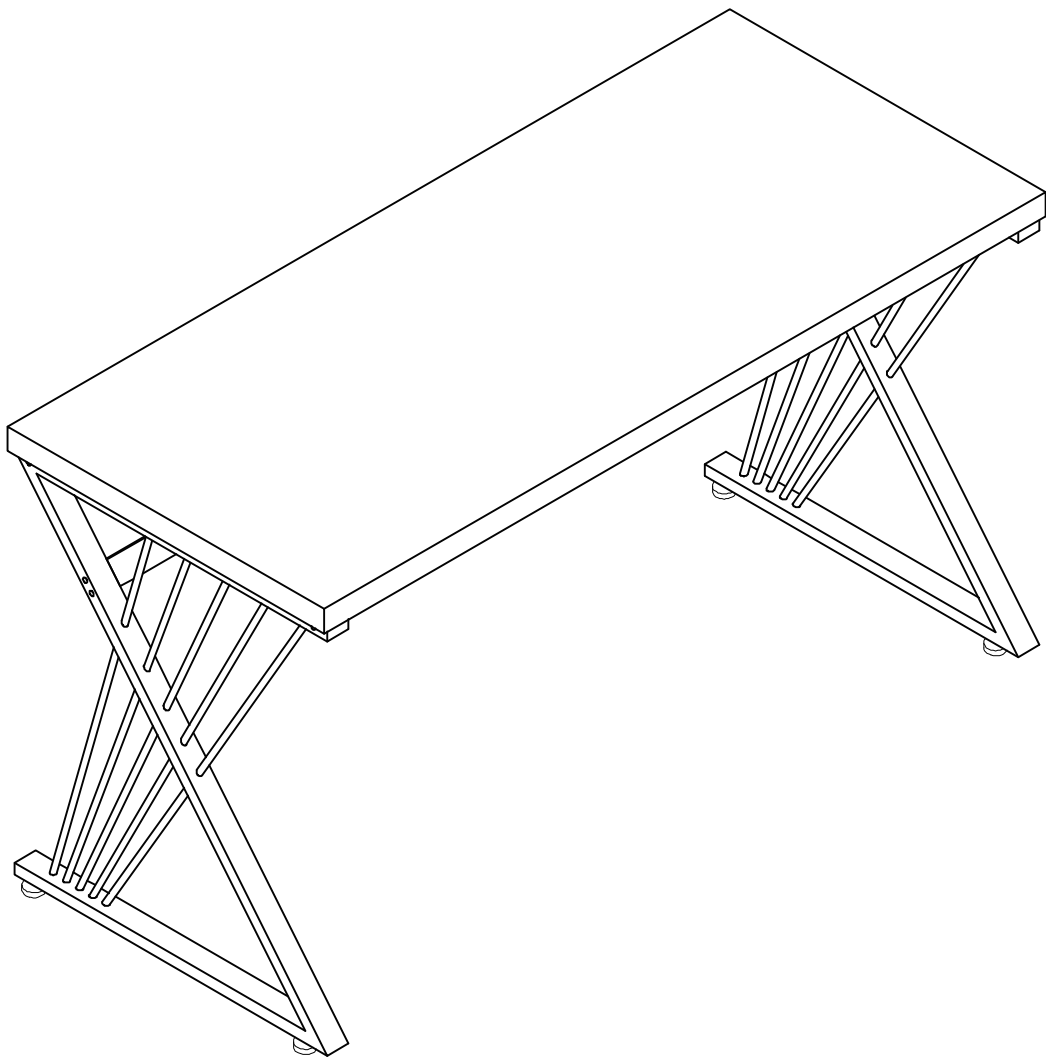


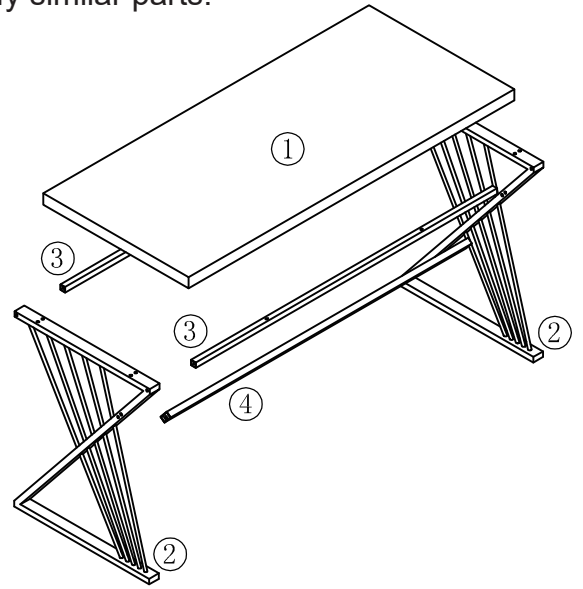
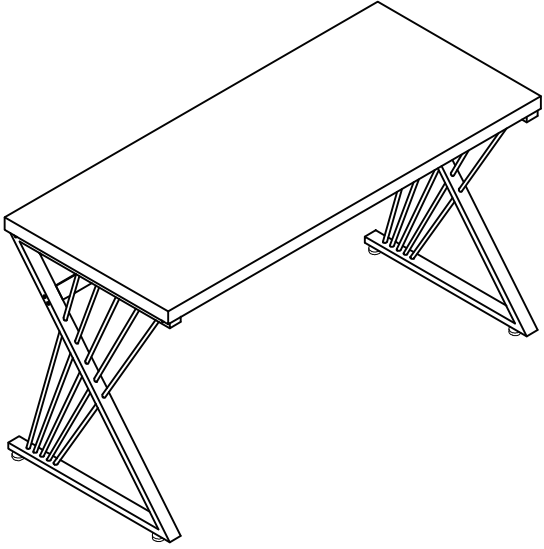
ASSEMBLY INSTRUCTION

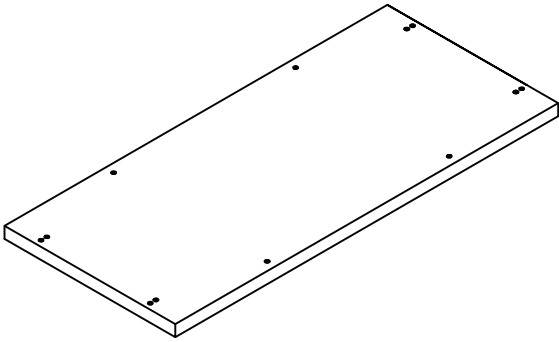
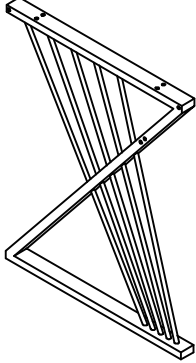
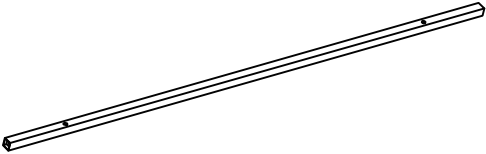
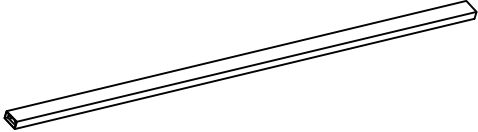
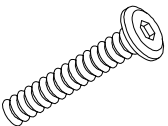
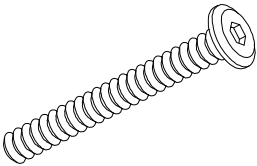
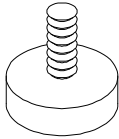
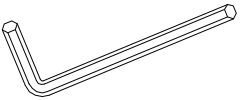
Computer Desk



Part Identification

While not all parts are labeled, some of the parts will have a label to help distinguish similar parts from each other. Use this part identification to help identify similar parts.

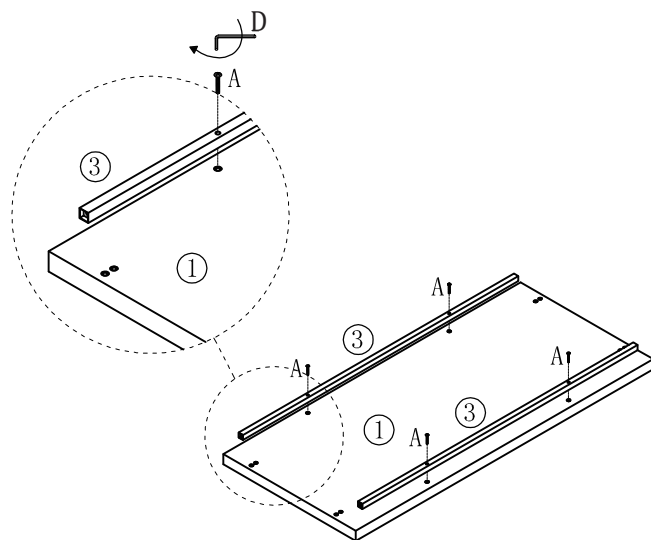


| | | | |
|--|--|--|---|
| <p>①</p>  <p>Tabletop 1 pc</p> | <p>②</p>  <p>Metal Leg 2 pcs</p> | | |
| <p>③</p>  <p>Support Rod 2 pcs</p> | <p>④</p>  <p>Metal Tube 1 pc</p> | | |
| <p>A</p>  <p>M6*35 mm Short Bolt 12 pcs</p> | <p>B</p>  <p>M6*60 mm Long Bolt 8 pcs</p> | <p>C</p>  <p>Leveler M6-Ø32mm 4pcs</p> | <p>D</p>  <p>M4 Allen Key 1 pc</p> |

Step 01

NOTE: DO NOT fully tighten all bolts at this step.

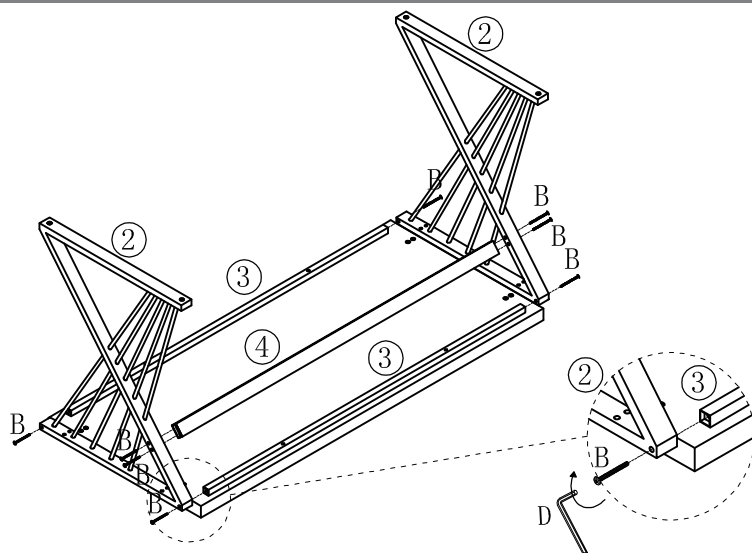
- 🔧 Lay the Tabletop(①) upside down onto a clean smooth surface such as carpet or cardboard. Align and fix 2 Support Rods(③) to the Tabletop(①) with 4 Short Bolts(A) by Allen Key(D). Do not fully tighten all bolts.



Step 02

NOTE: DO NOT fully tighten all bolts at this step.

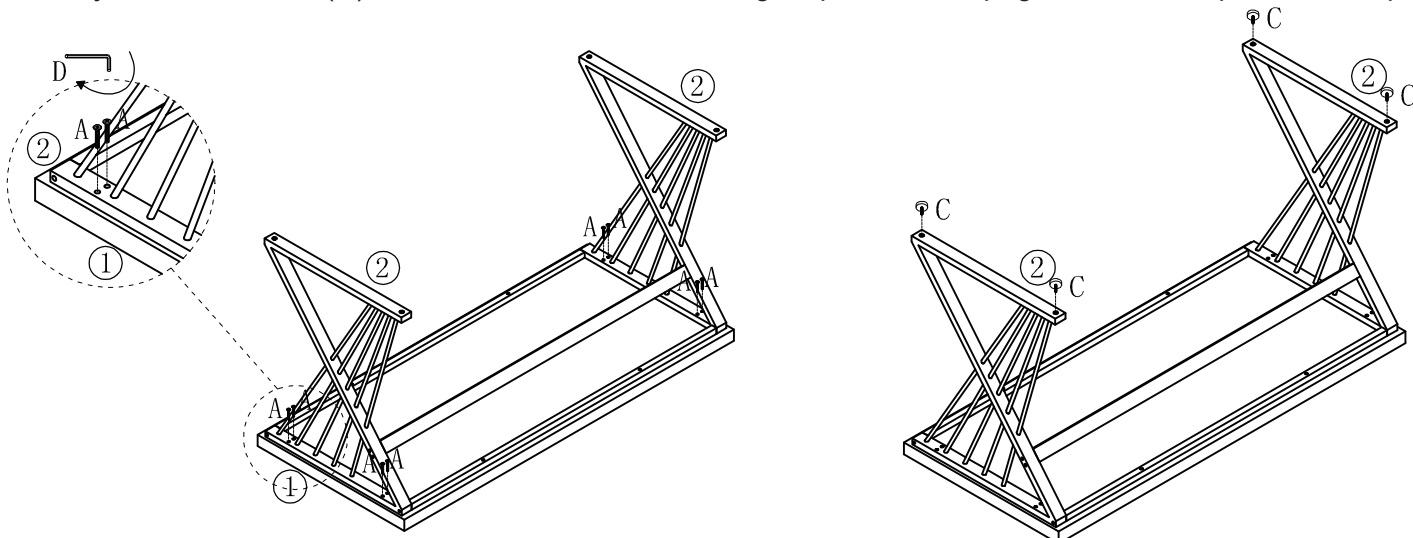
- 🔧 Attach and fix two Metal Legs(②) to the Support Rods(③) with 4 Long Bolts(B) by Allen Key(D). Align and fix the Metal Tube(④) to Metal Legs(②) with 4 Long Bolts(B) by Allen Key(D). Do not fully tighten all bolts.



Step 03

NOTE: If holes don't align, loosen all bolts and adjust the holes slightly. After all holes are aligned, fully tighten all bolts.

- 🔧 3.1 Tighten Metal Legs(②) to Tabletop(①) with 8 Short Bolts(A) by Allen Key(D). If holes don't align, loosen all bolts and adjust the holes slightly. After all holes are aligned, fully tighten all bolts.
- 3.2 Adjust four Levelers(C) as needed for uneven flooring. Flip the desk upright with the help of another person.

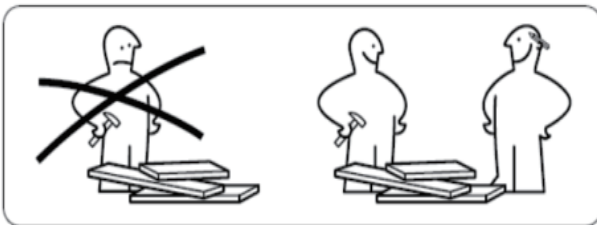




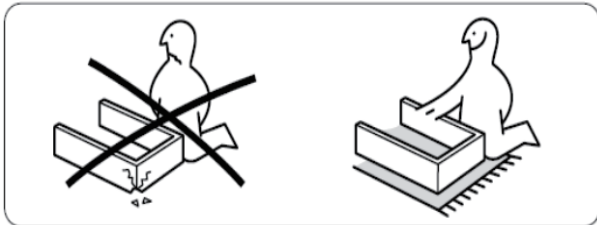
Thank you for purchasing our Computer Desk. If any part is missing or damaged, please do not hesitate to contact us, we will send you the replacement immediately.

ASSEMBLY TIPS

1. Please read the assembly instructions first and become familiar with the parts.
2. Proper assembly of this item requires 2 people.



3. Unpack and assemble this unit in an spacious area, assemble the unit on top of the empty carton or carpet to prevent scratches.



4. To avoid accidentally discarding small parts or hardware, DO NOT dispose of any contents until assembly is completed.
5. **Do not fully tighten all bolts until all parts are in place.** Failure to follow these instructions may cause the bolts to misalign during assembly.

CARE INSTRUCTIONS

- (1) Hardware may loosen overtime. Periodically check that all connections are tight.
- (2) Wipe with a soft, dry cloth. To protect finish, avoid the use of chemicals and household cleaners.
- (3) All hot serving dishes should be placed on a pad.
- (4) Any liquid spilled onto the furniture should be cleaned up immediately with a dry cloth.