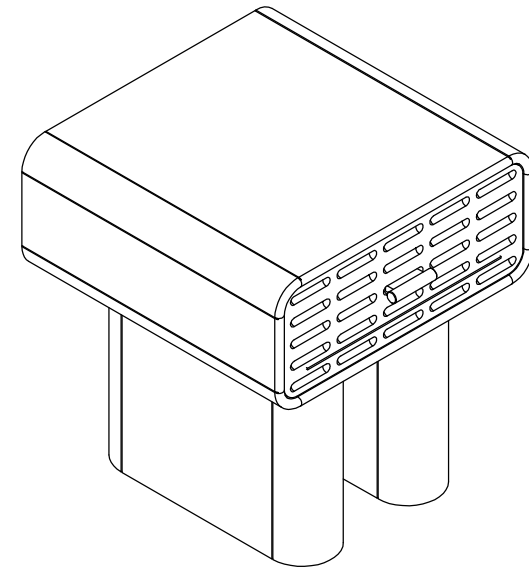


TORRICELLI 1 DRAWER WOOD NIGHTSTAND

DESIGN# SFV2212

Assembly Instructions



Need help?
Feel free to contact us via email or call
if you have any specific questions!

contact us:
cs@safavieh.com
866-422-9070

SAFAVIEH
C O U T U R E

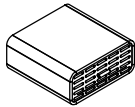
Thanks for bringing Safavieh Couture into your home

Everything we make is incredibly simple to set up, including your new nightstand. You won't need any additional tools.

Parts List

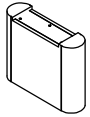
A X 1

Drawer



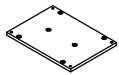
B X 2

Leg



C X 1

Mounting Plate



Hardware List

HW1 x 10

Hex Socket Bolt 1/4"-20 x 1.25"



HW2 x 1

Allen Key M4



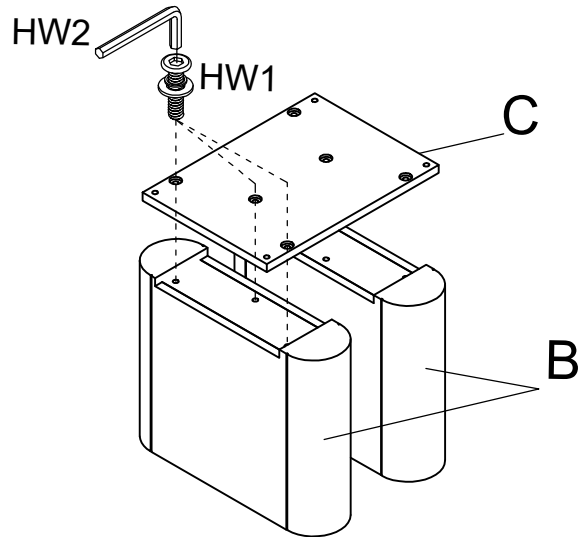
HW3 x 1

Anti-Tip Hardware



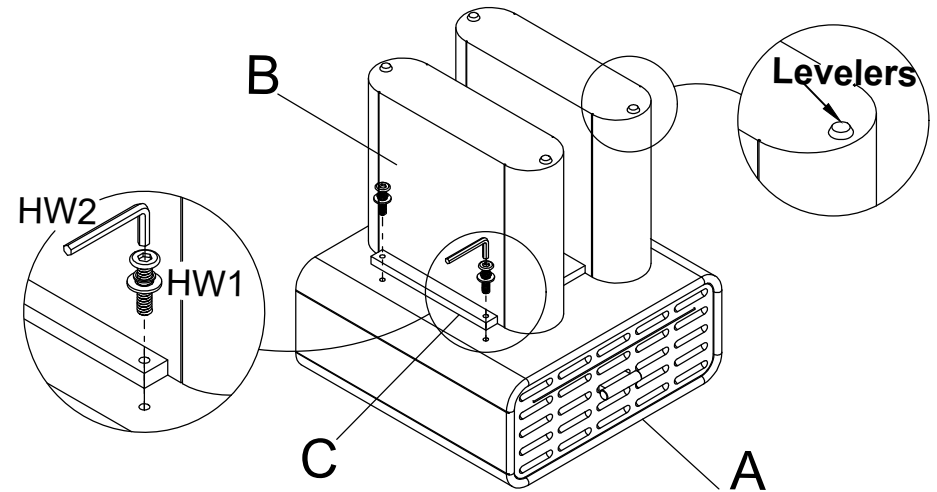
1

Place the mounting plates (C) on top of the 2 legs (B). Attach the mounting plates by using the Allen key (HW2) to screw in the Hex Socket Bolt (HW1).



2

Place the Drawer (A) upside down on a soft surface. Align the screw holes on the Drawer (A) to the screw holes on of Mounting Plate (C). Attach them by using the Allen Key (HW2) to screw in the Hex Socket Bolt (HW1).



3

Turn the nightstand upright. Place the nightstand in the place where you will use it. Use the levelers on the bottom of the legs to adjust the nightstand as needed. Follow the installation instructions of the Anti-Tip Hardware (HW3) to attach the product to the wall. We'd love to see it - just tag us (we're @safavieh) and use the hashtag #safavieh on Instagram!

