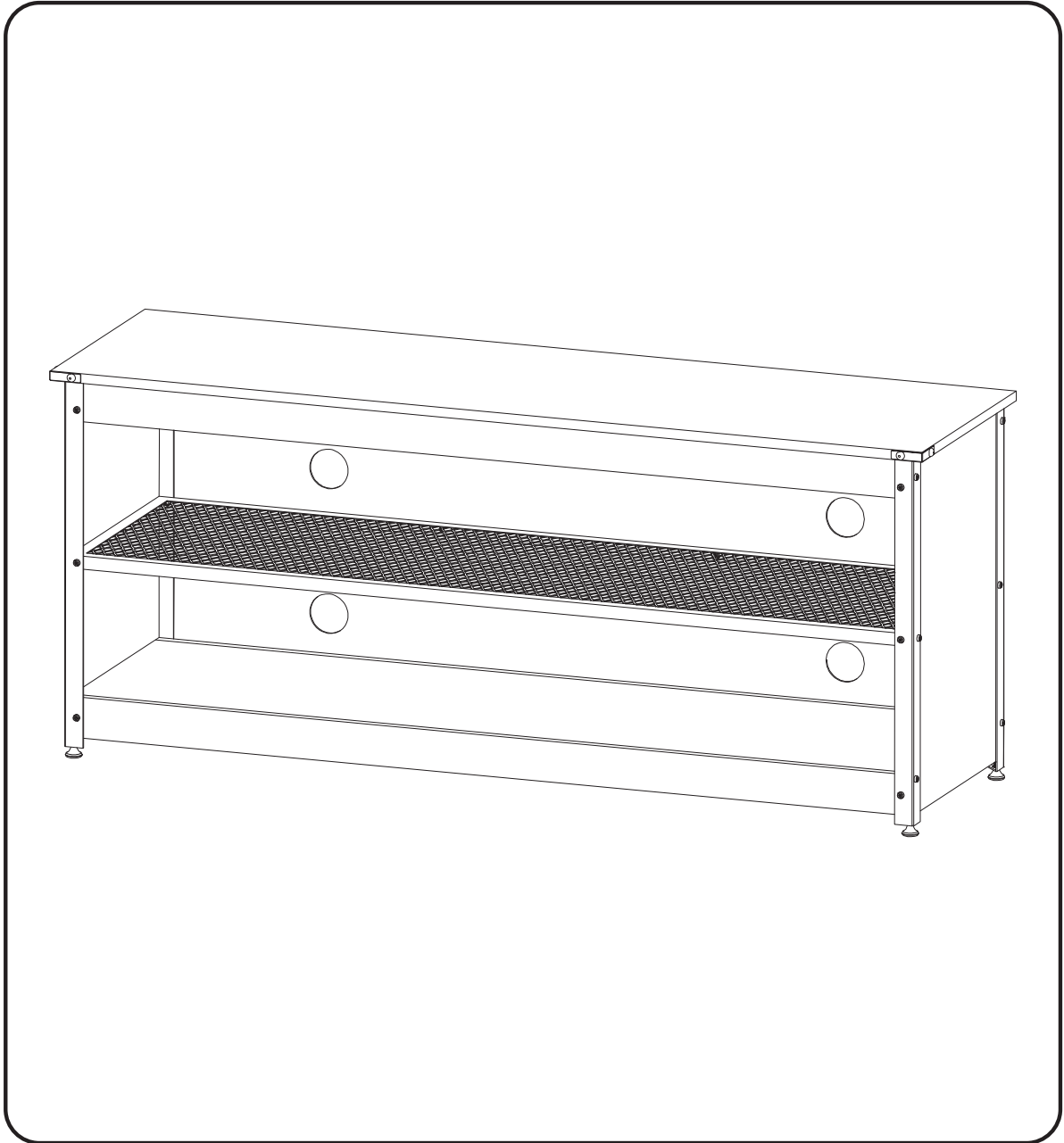


PRODUCT NAME:

**ASSEMBLY
INSTRUCTION**

55" TV Stand with LED



HELPFUL HINTS

! BEFORE YOU START

- Inspect product packaging to ensure the appearance is good.
- Read the assembly instruction carefully and follow it step by step.
- To avoid any scratching, putting a soft blanket on the floor is suggested.
- Identify, sort and count all the parts with tags.
- Find out installation position according to the drawing and install it in correct steps.

! OTHER

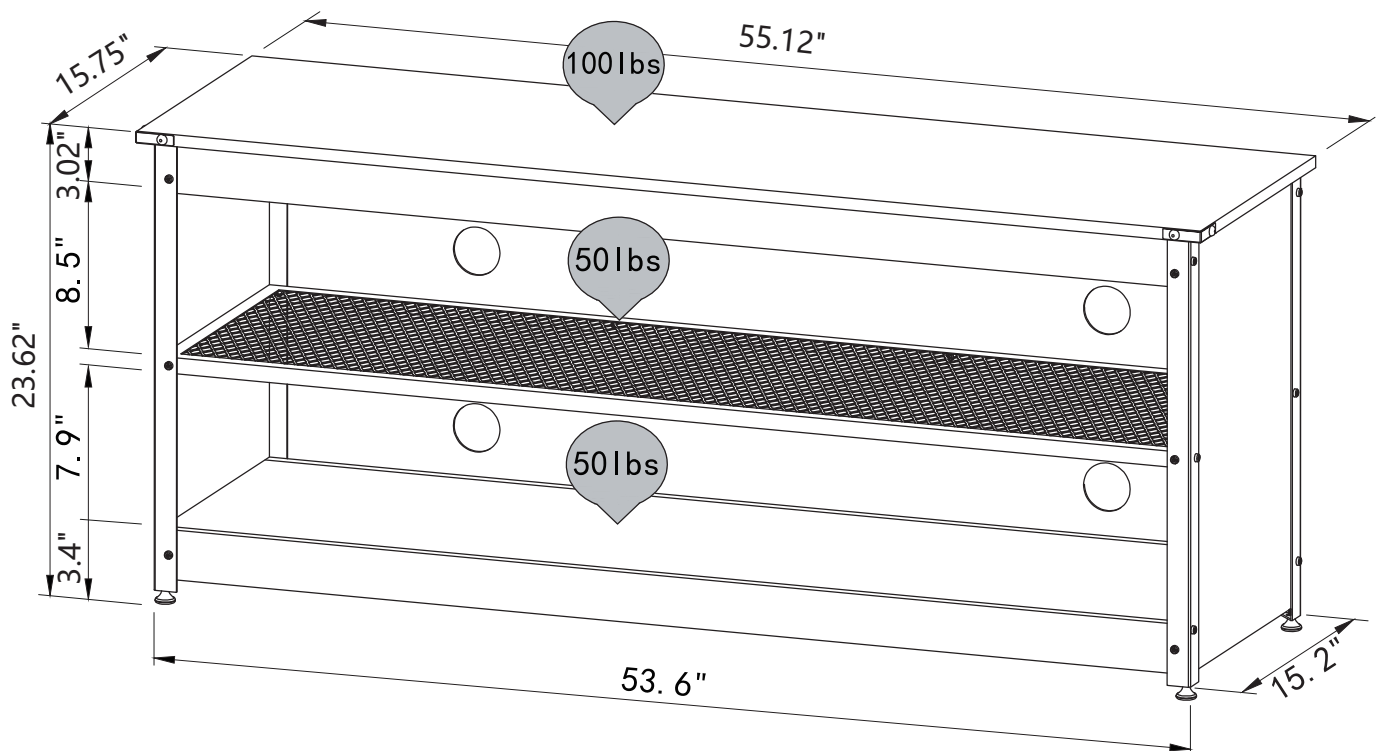
- People needed for assembly: 2
- Estimated assembly time: 1-1.5hour

! CAUTION

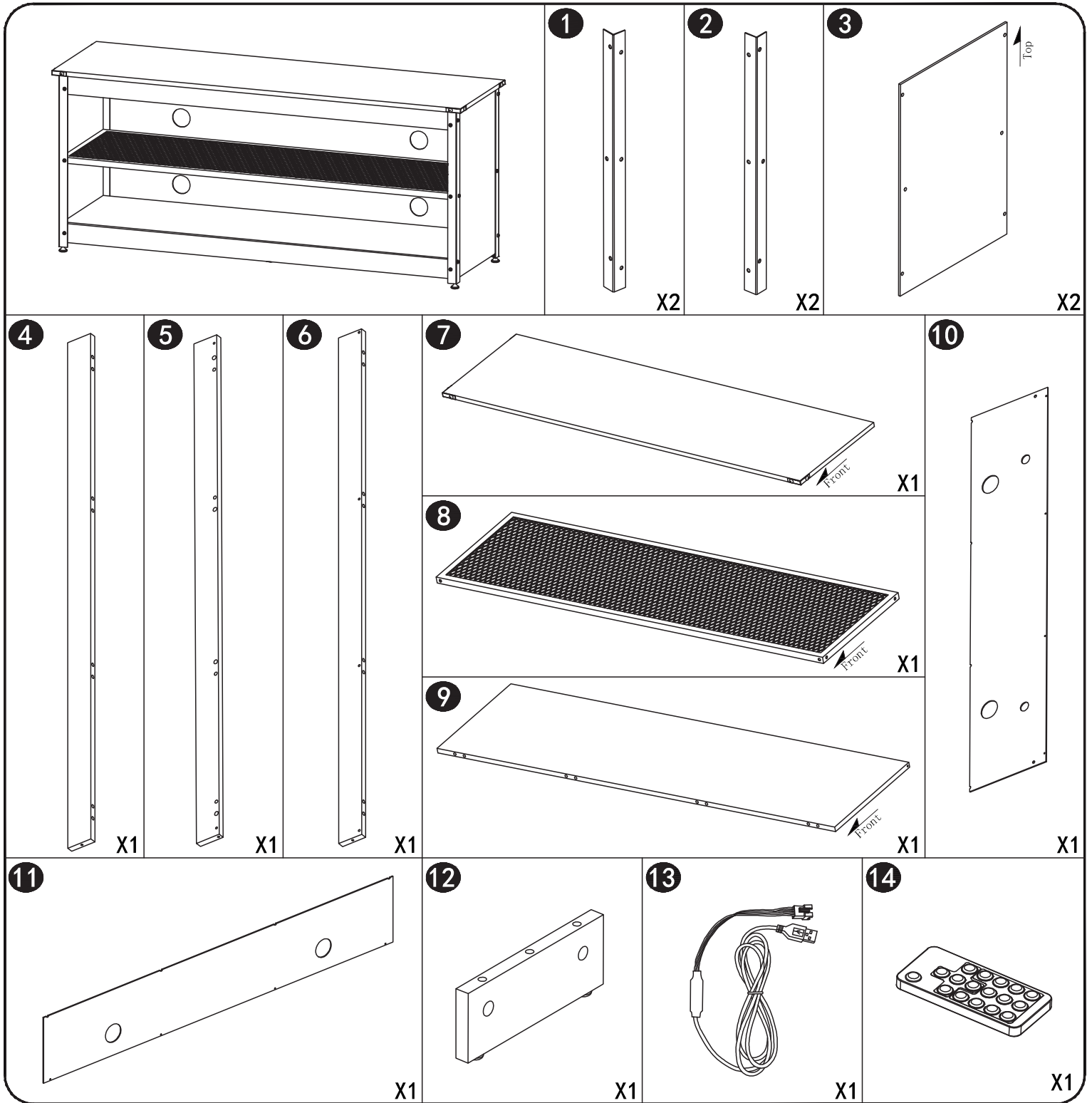
- Be cautious when using a power drill or power screwdriver.
- Please be aware to slow down and stop when screw is nearly tight.
- Do Not use any harsh chemicals or abrasive cleaners for this item.
- Push, pull or drag this item carefully.

DETAILS







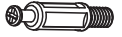






UNIT: INCH



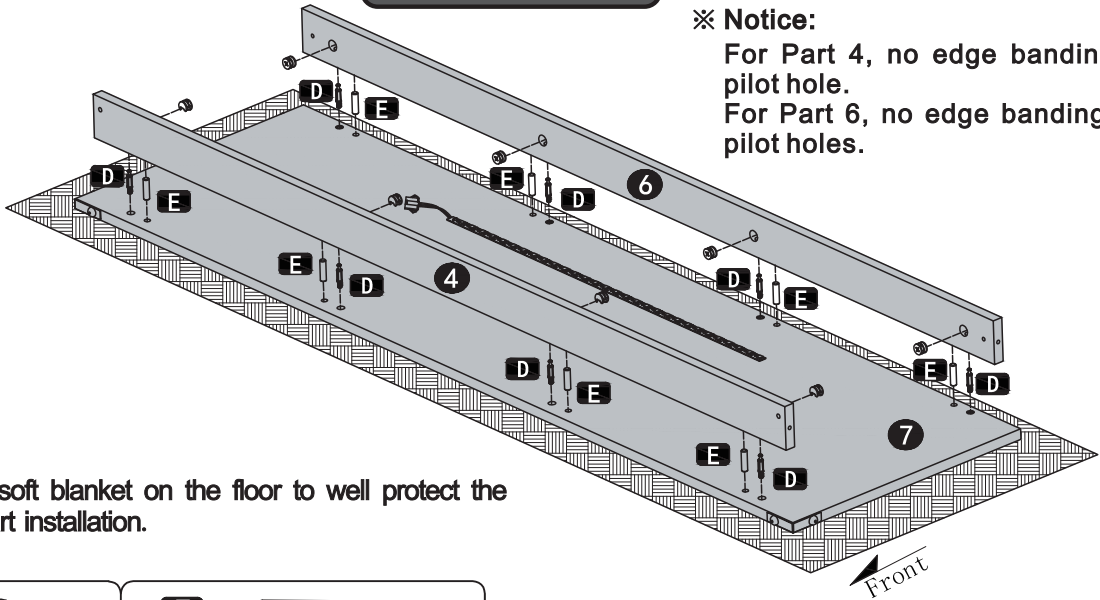
PARTS LIST



ACCESSORIES LIST

No.	PICTURE	SIZE	QTY	No.	PICTURE	SIZE	QTY
A		M6x12	14	E			13
B		ST5x35	8	F		M8xφ28	4
C		ST3.5x16	10	G			1
D	 		14	WD			2
WA		ST3.5x38	2	WE		ST3.5x16	2
WB			2	Screw WE is not needed throughout installation. Please just keep it.			
WC			4				

STEP 1

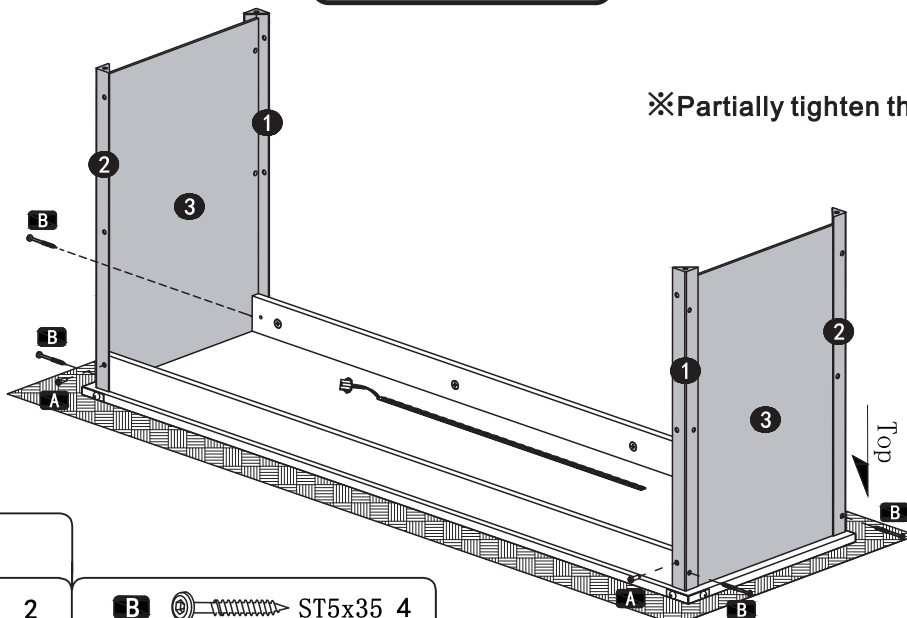


※ **Notice:**
 For Part 4, no edge banding, and no pilot hole.
 For Part 6, no edge banding, but with pilot holes.




※ Firstly, place a soft blanket on the floor to well protect the boards, then start installation.

- D**   8
- E**  8

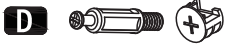
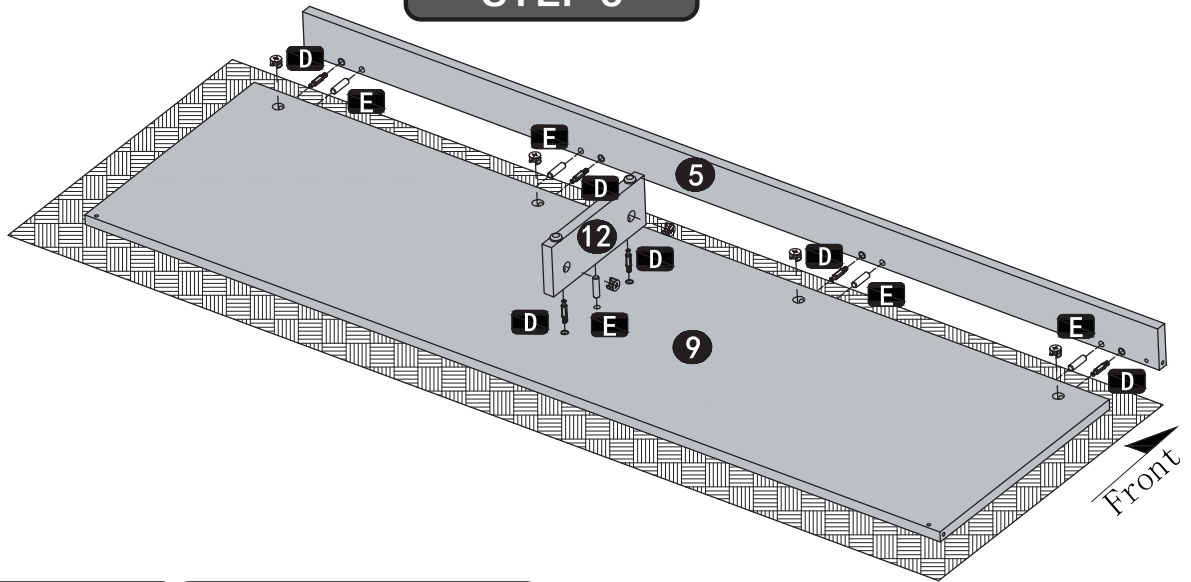
STEP 2



※ Partially tighten the screws.

- G** 
- A**  M6x12 2
- B**  ST5x35 4

STEP 3

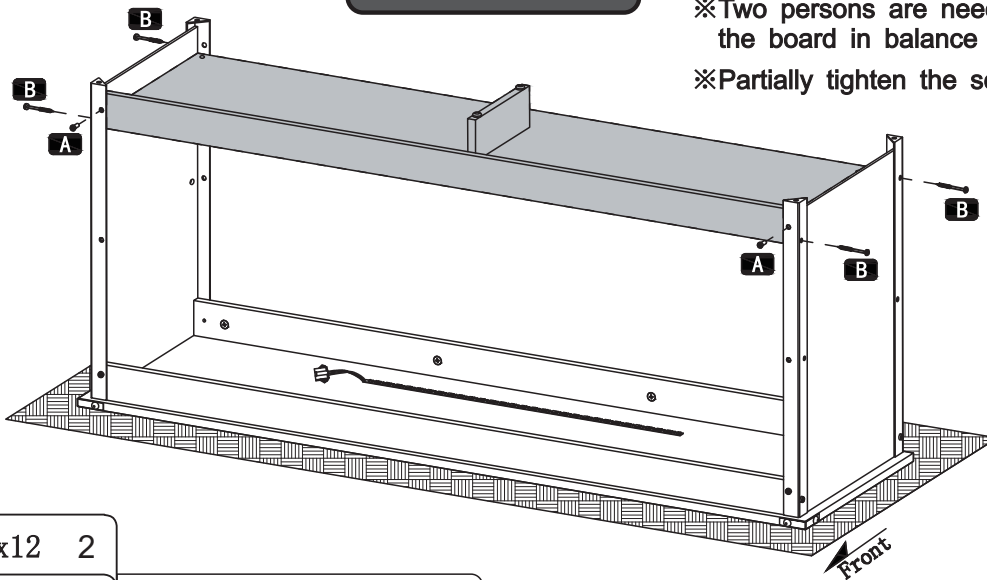


6



5

STEP 4



※Two persons are needed to keep the board in balance when screwing.

※Partially tighten the screws.

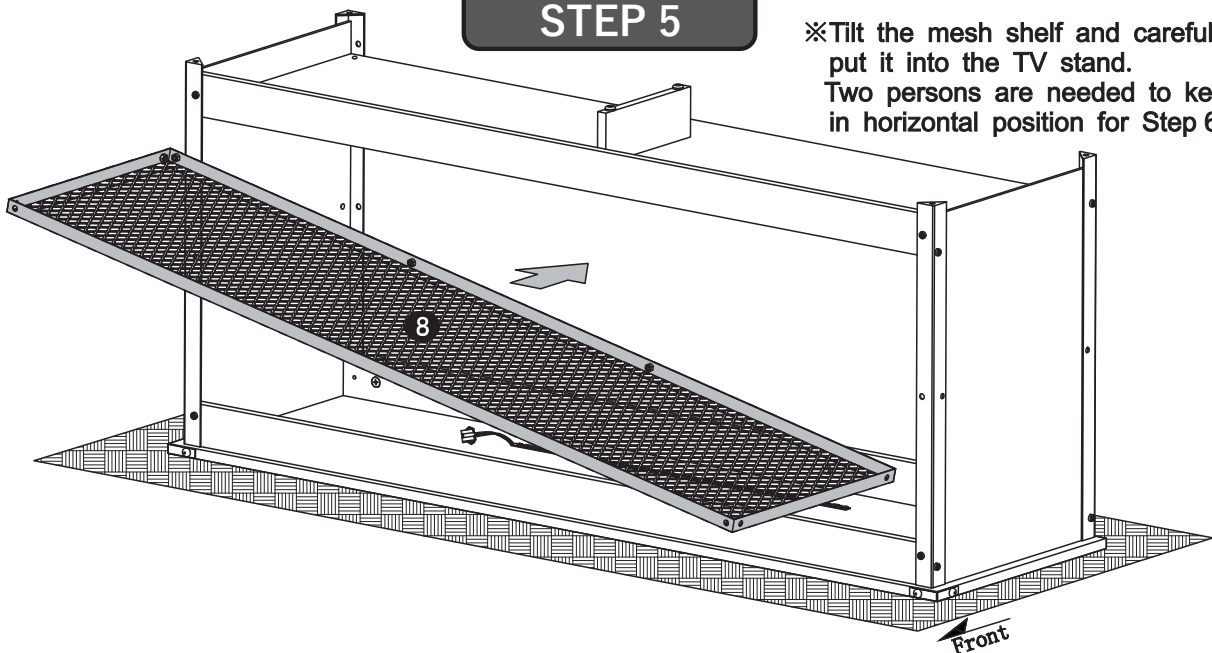
A  M6x12 2

B  ST5x35 4

G



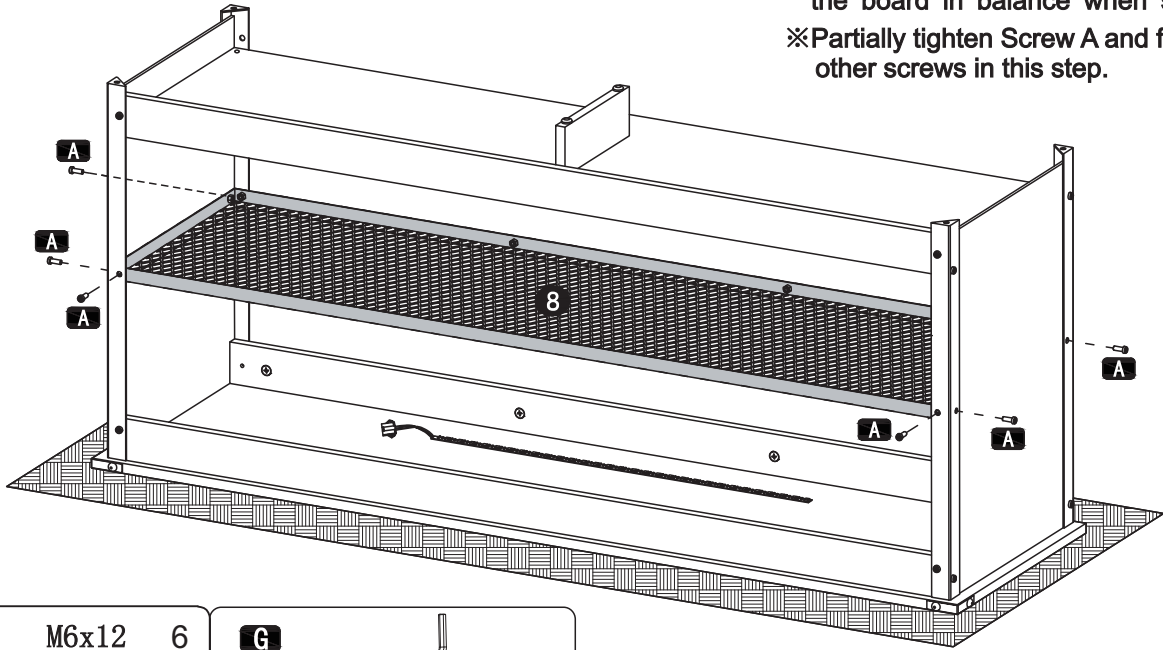
STEP 5



※Tilt the mesh shelf and carefully put it into the TV stand.
Two persons are needed to keep it in horizontal position for Step 6.

STEP 6

- ※ Two persons are needed to keep the board in balance when screwing.
- ※ Partially tighten Screw A and fully tighten other screws in this step.



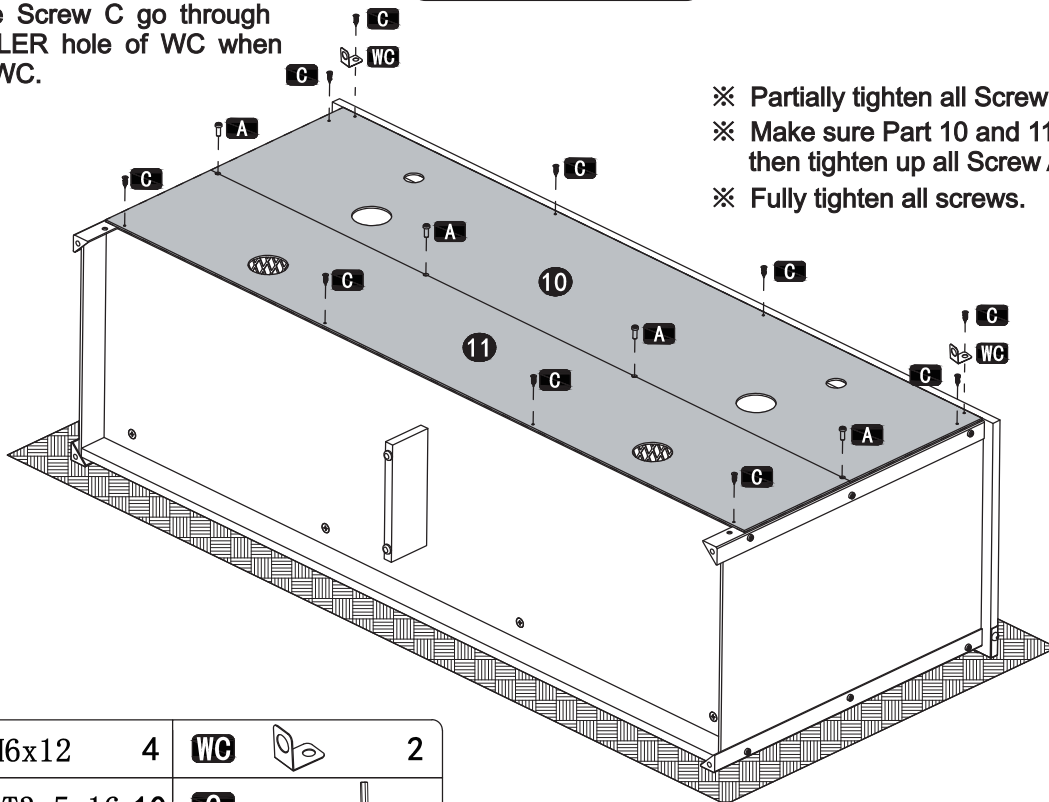
A  M6x12 6

G 



STEP 7

- ※ Make sure Screw C go through the SMALLER hole of WC when installing WC.

- ※ Partially tighten all Screw C.
- ※ Make sure Part 10 and 11 are well-aligned, then tighten up all Screw A.
- ※ Fully tighten all screws.

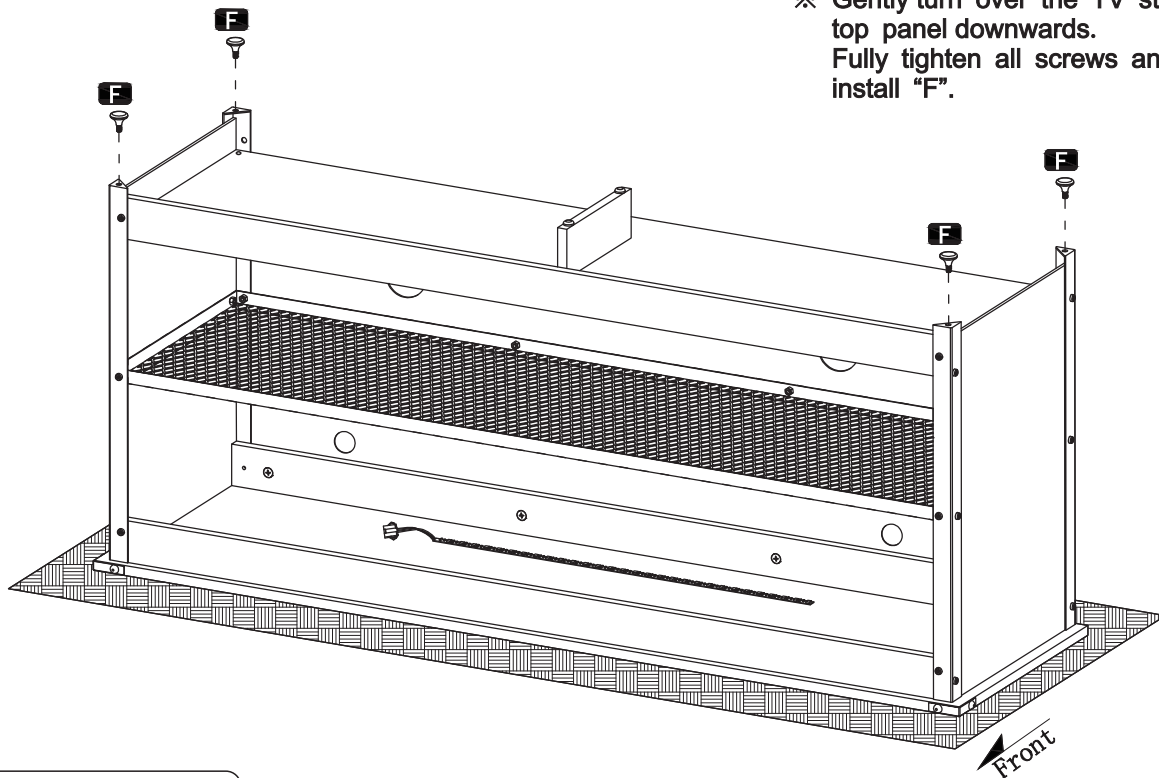


A  M6x12 4 **WC**  2

C  ST3.5x16 10 **G** 

STEP 8

※ Gently turn over the TV stand with top panel downwards.
Fully tighten all screws and install "F".

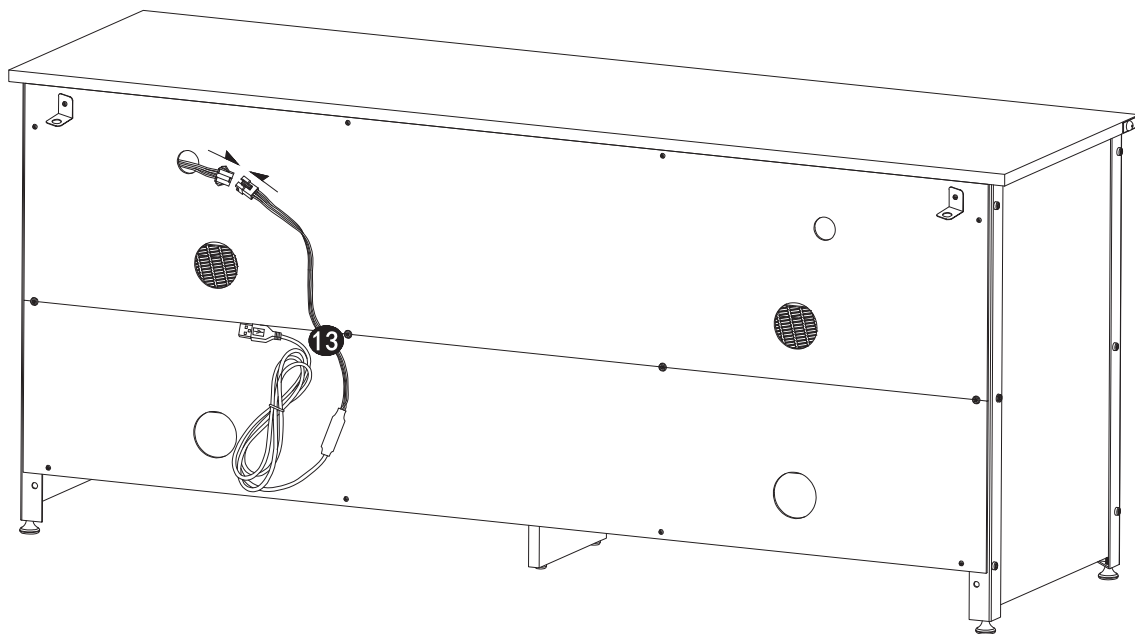


F

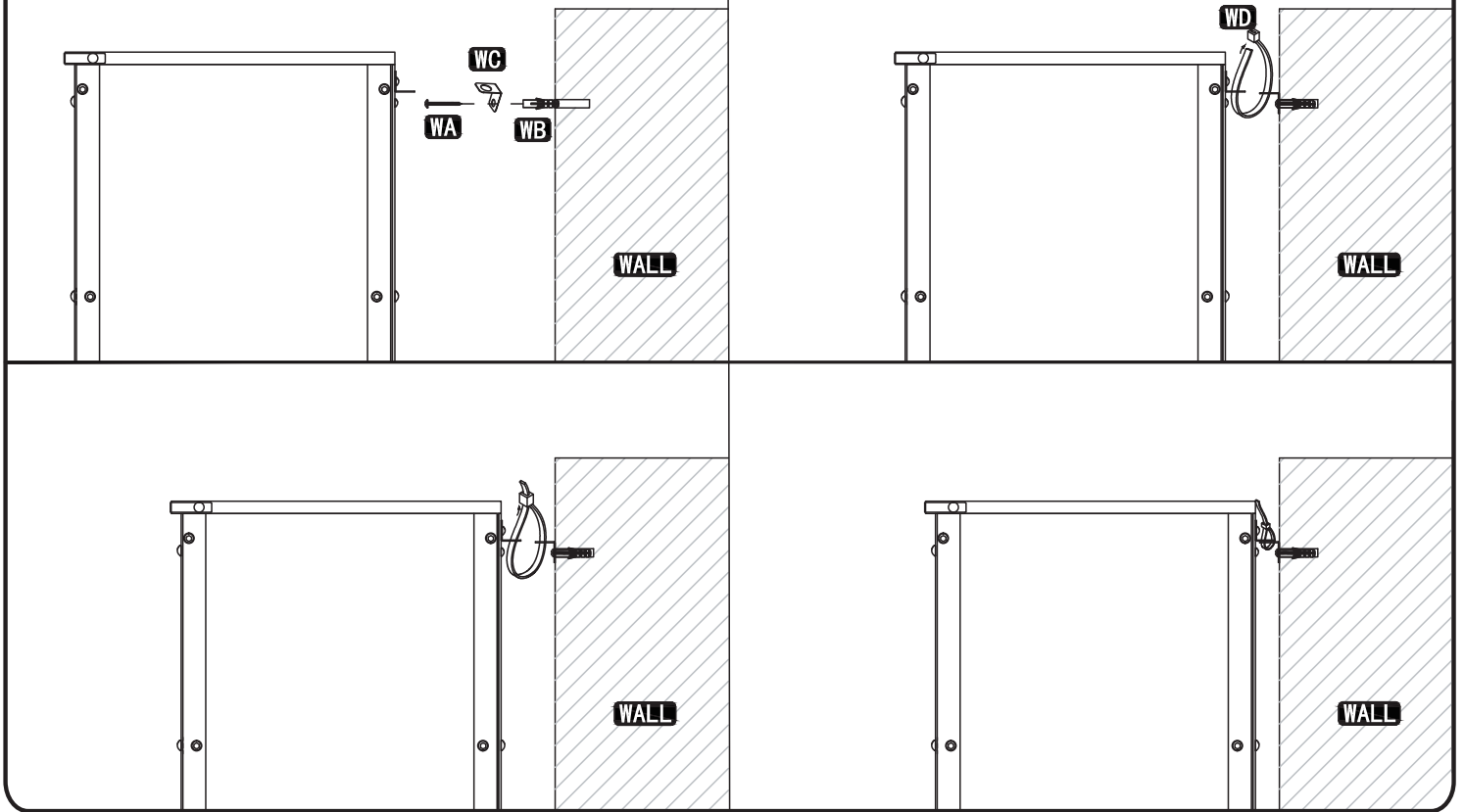




M8xØ28 4

STEP 9



STEP 10



WA		ST3. 5x38	2	WC		2
WB			2	WD		2

※Please fasten this item to wall for protection and safety.

1. Drill 2 holes (dia 5/16") in the wall and insert WB into holes.
 Hole position: approximately 2" BELOW the corresponding positions of WC installed on the TV stand.
 ※You may need to use rubber mallet for tapping WB.

2. Use WA to attach WB with WC.

※WA must go through the smaller hole of WC and make sure the tab with larger hole is UPWARD.

3. Use WD to connect the corresponding WCs and tighten them as desired before locking in place.