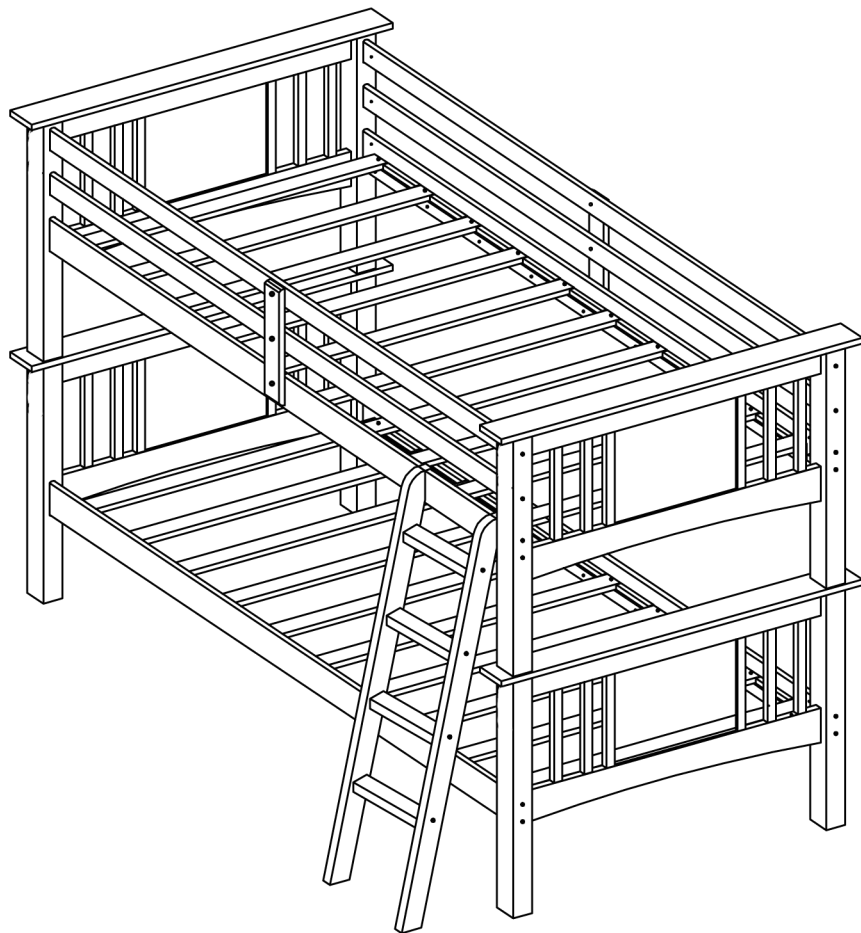


Assembly Instructions



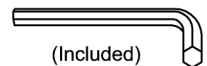
ASSEMBLY RATING

The Assembly Rating is a 5-point system that shows the degree of effort needed in assembling a specific product (with 1 being easy and 5 being difficult). For some products, two persons are recommended.

EASY  DIFFICULT

Tools Required For Assembly:

Allen Wrench



(Included)

Phillips Screwdriver



(Not Included)

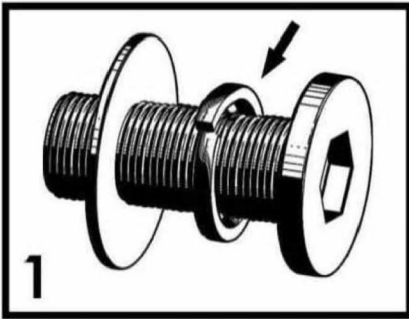


2 PERSONS RECOMMENDED

ASSEMBLY & CARE ADVICE

FOR YOUR FURNITURE TO LAST, CORRECT ASSEMBLY AND PROPER MAINTENANCE ARE NECESSARY. PLEASE FOLLOW THE INFORMATION PROVIDED BELOW TO FULLY ENJOY YOUR FURNITURE.

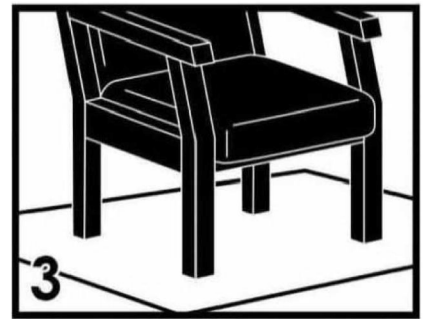
BASIC ASSEMBLY TECHNIQUES



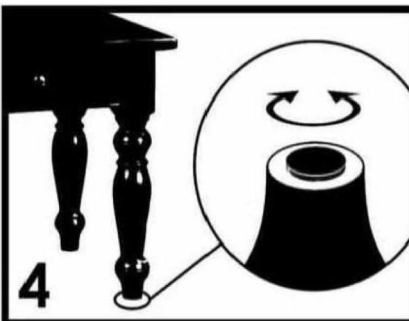
1
When lock or spring washer is used in an assembly, please make sure the lock or spring washer is placed between the larger flat washer and the head of the screw or bolt.



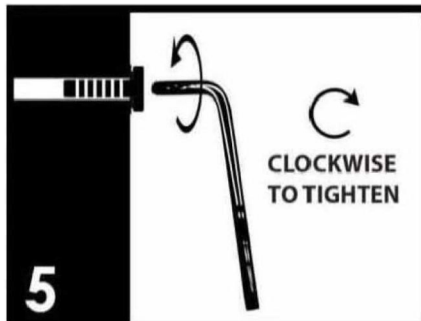
2
Position each part correctly and insert screws or bolts into their respective holes by hand tighten or using the proper hand tool. Only tighten when step is completed or when instructed to do so.



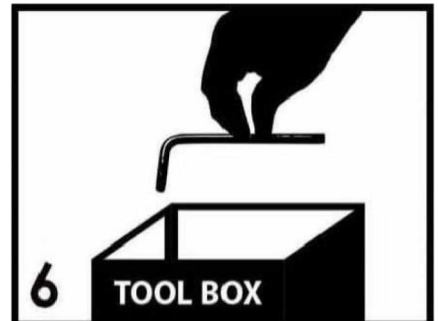
3
Use cardboard or carpet area when assembling furniture to prevent scratches. Make sure the furniture rests on a flat and level surface with each leg evenly touching the floor. No dragging of products/parts.



4
Some furniture comes with height adjustment knobs underneath each leg. To lower or to raise each leg, you need to turn clockwise or counterclockwise, respectively.



5
Make sure all parts are properly aligned, then use the appropriate hand tool to completely tighten the bolts or screws. Do not use power tools and do not overtighten.

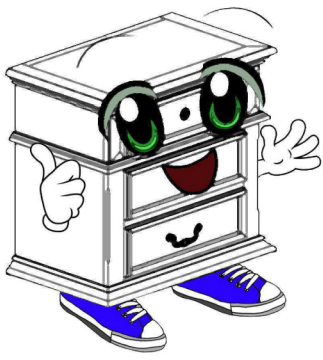


6
Save the instructions and store the Allen wrench or any supplied tool for later maintenance. After two weeks, check and tighten any loose hardware and repeat again every six months thereafter.

IT IS THE USER'S RESPONSIBILITY TO MAINTAIN THE FURNITURE. THE HARDWARE MAY LOOSEN OVER TIME AND MAY CAUSE THE FURNITURE TO BE WOBBLY AND UNABLE TO SUPPORT ITS INTENDED WEIGHT CAPACITY. THIS MAY LEAD TO COLLAPSE AND MAY CAUSE SERIOUS INJURY.



FAILURE TO FOLLOW THE GUIDELINES ABOVE MAY RESULT IN INJURY AND/OR PROPERTY DAMAGE.



Before you begin, please read Page 2 of "Assembly and Care Advice".

And remember, do not tighten until each step is completed or instructed.

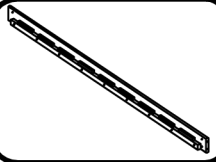
Parts List



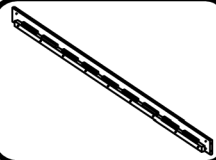
#1 x 2pcs
Lower End Guardrail



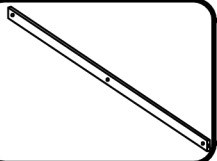
#2 x 2pcs
Upper End Guardrail



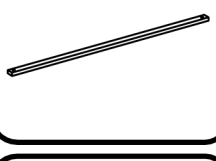
#3 x 2pcs
Lower Side Rail



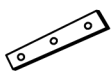
#4 x 2pcs
Upper Side Rail



#5 x 4pcs
Guardrail



#6 x 20pcs
Twin Slat Kit



#7 x 2pcs
Guardrail Support



#8 x 4pcs
Ladder Steps

Hardware List



#A x 24pcs
Bolt 1/4"x4-7/8"



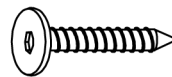
#B x 24pcs
Barrel Nut



#C x 40pcs
Screw 3/16" x 1-3/16"



#D x 6pcs
Bolt 1/4"x 1-3/16"



#E x 8pcs
Screw 3/16" x 2"



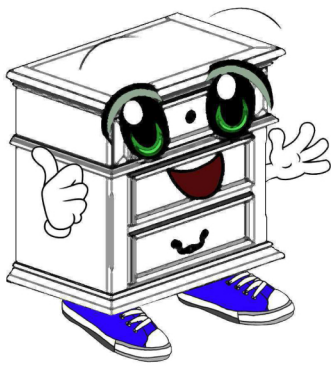
#F x 4pcs
Metal Dowel ϕ 3/8"x3-9/16"



#G x 2pcs
Screw 3/16" x 3/4"



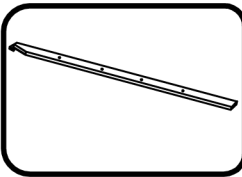
#H x 1pc
Allen Wrench



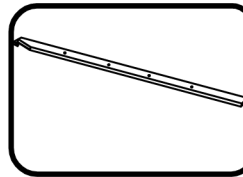
Before you begin, please read Page 2 of "Assembly and Care Advice".

And remember, do not tighten until each step is completed or instructed.

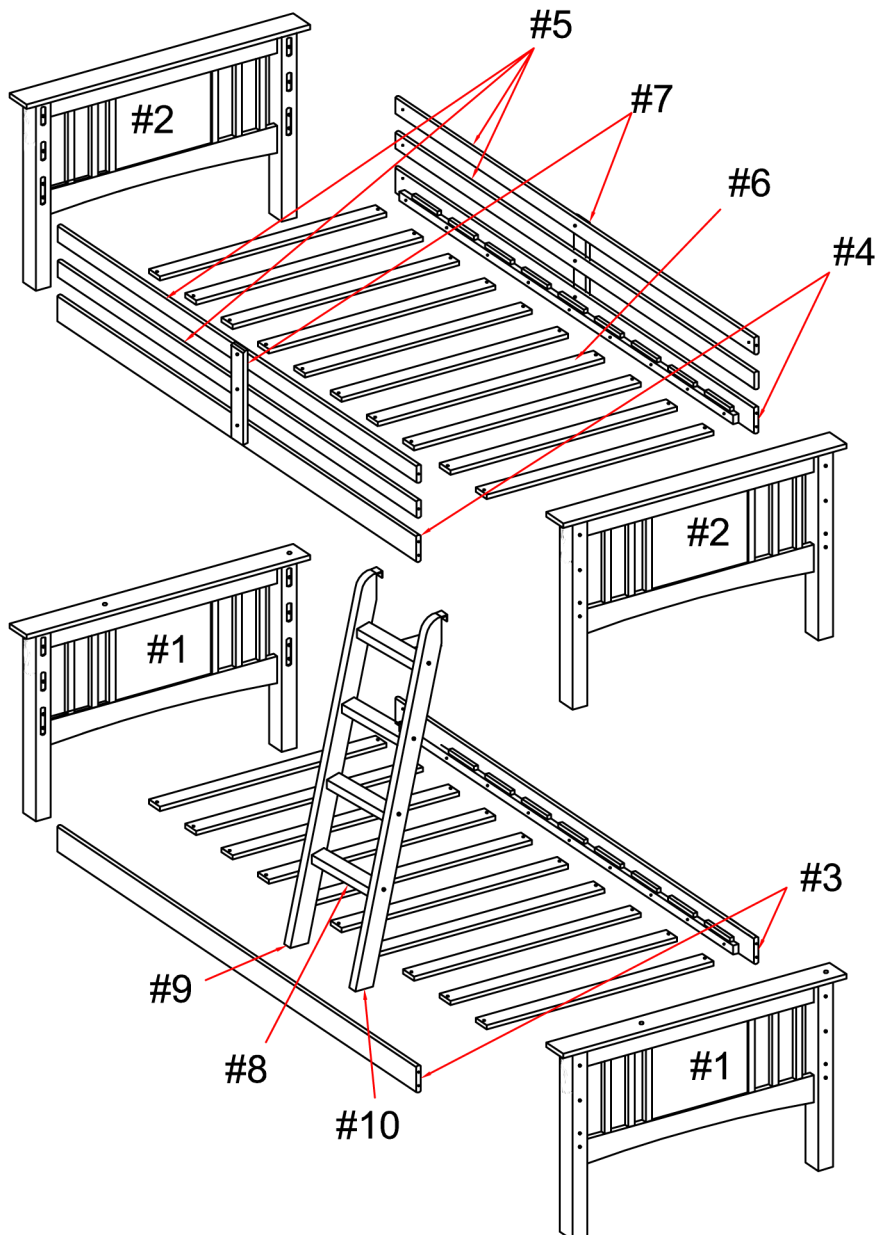
Parts List



#9 x 1pc
Ladder Rail



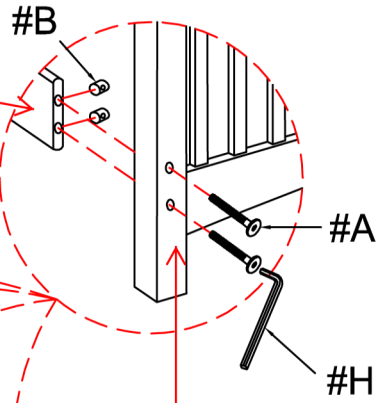
#10 x 1pc
Ladder Rail



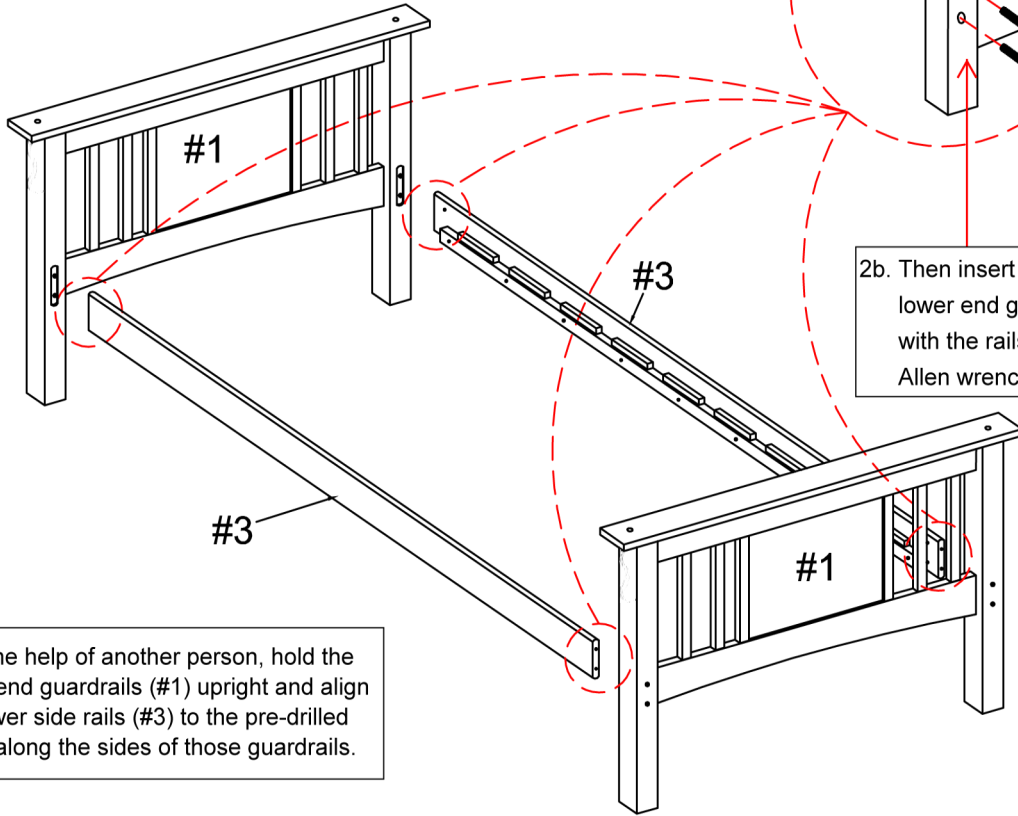


#Ax8pcs
#Bx8pcs

2a. Insert 2 barrel nuts (#B)
into each end of the lower
side rails (#3)



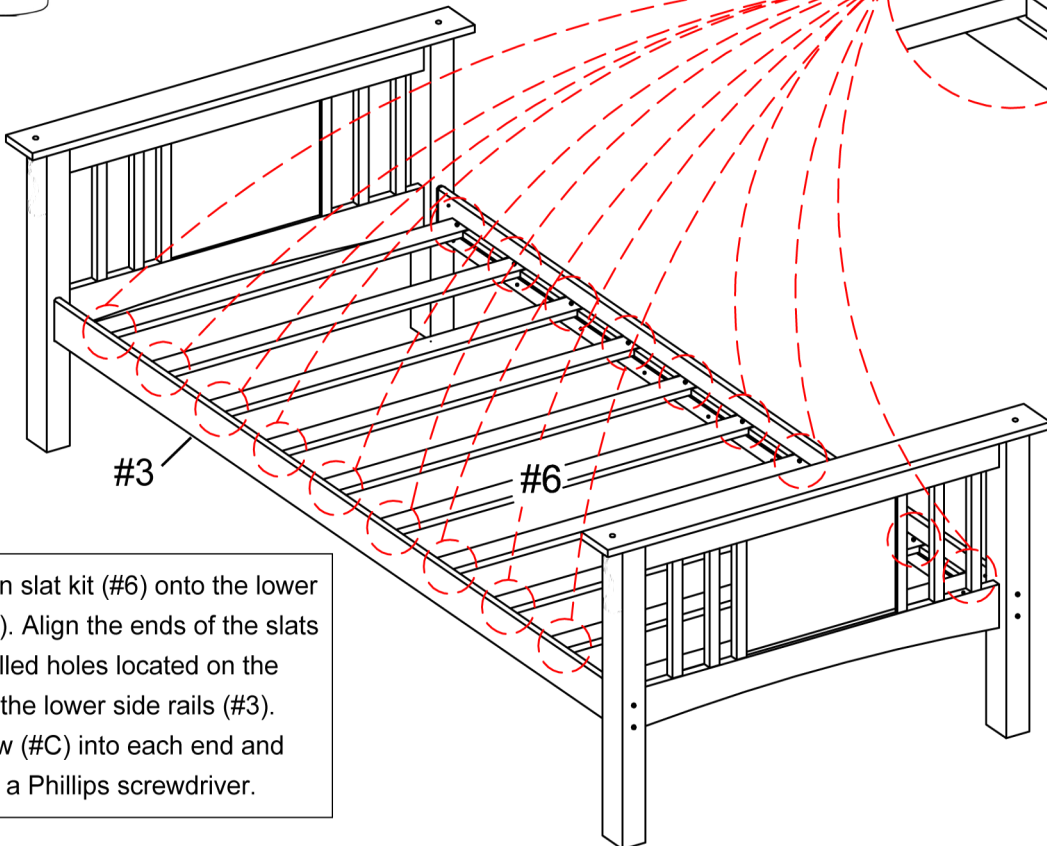
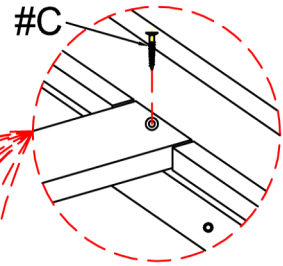
2b. Then insert 2 bolts (#A) into the
lower end guardrails (#1) to lock
with the rails. Secure using the
Allen wrench (#H).



1. With the help of another person, hold the
lower end guardrails (#1) upright and align
the lower side rails (#3) to the pre-drilled
holes along the sides of those guardrails.



#Cx20pcs



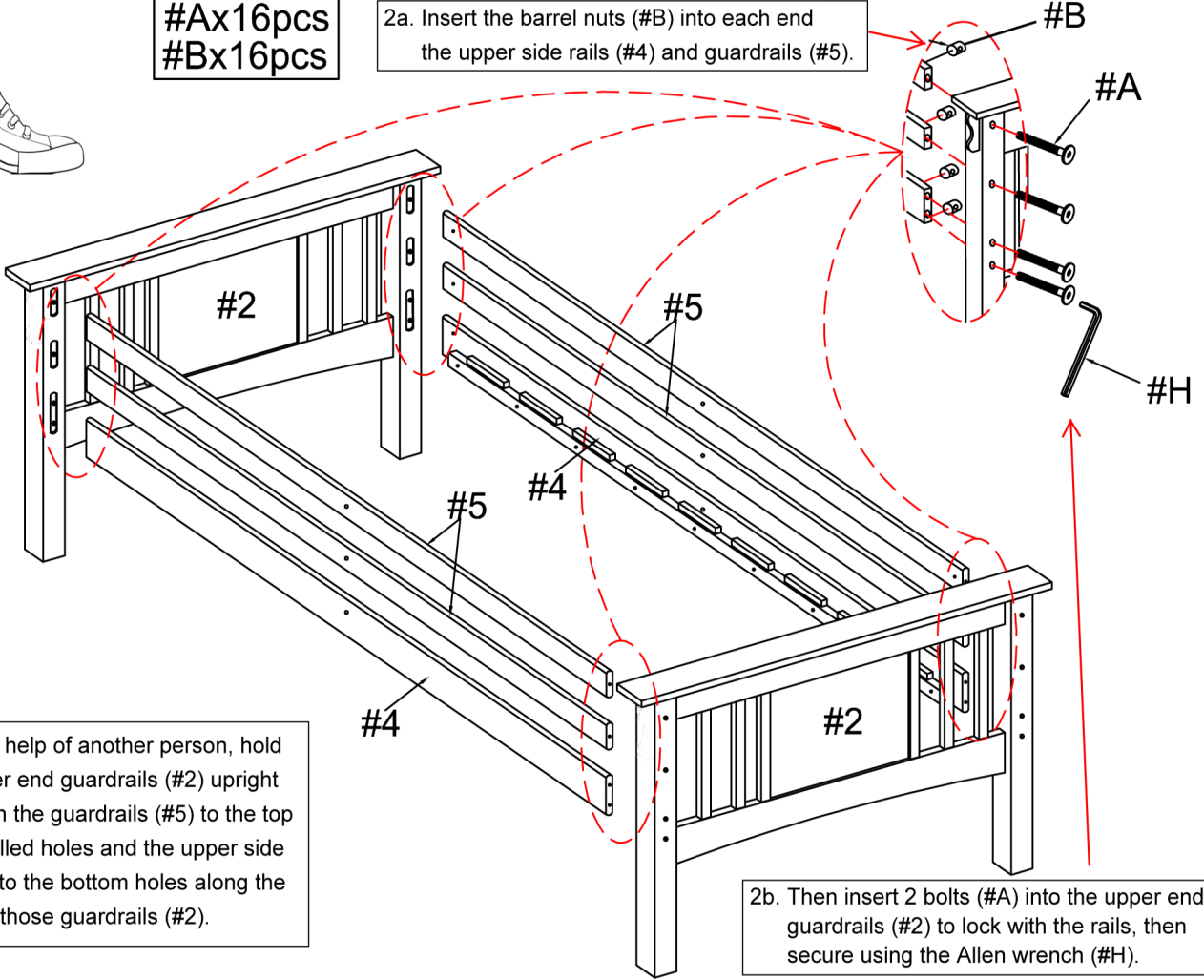
Place the twin slat kit (#6) onto the lower
side rails (#3). Align the ends of the slats
to the pre-drilled holes located on the
inner side of the lower side rails (#3).
Insert a screw (#C) into each end and
secure using a Phillips screwdriver.



#3

#Ax16pcs
#Bx16pcs

2a. Insert the barrel nuts (#B) into each end of the upper side rails (#4) and guardrails (#5).



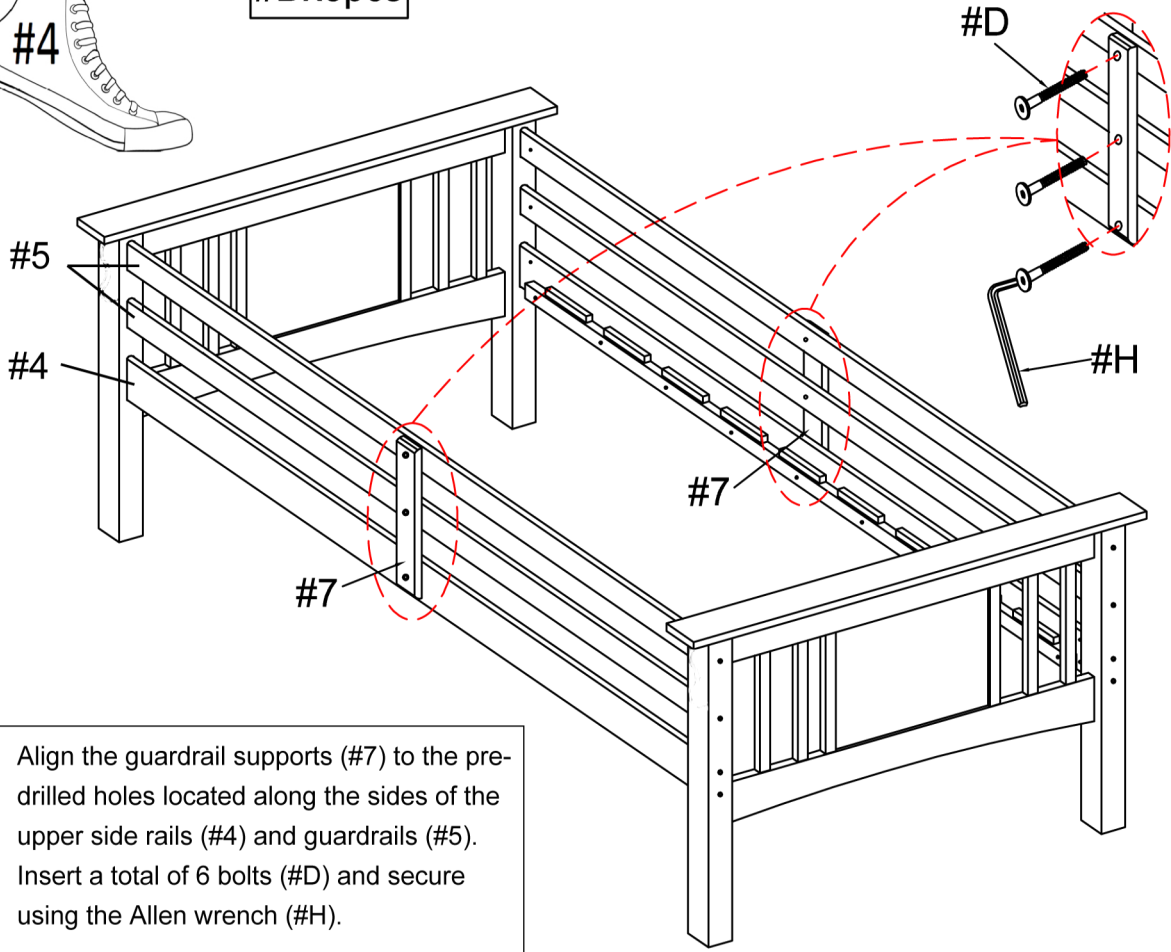
1. With the help of another person, hold the upper end guardrails (#2) upright and align the guardrails (#5) to the top 2 pre-drilled holes and the upper side rail (#4) to the bottom holes along the sides of those guardrails (#2).

2b. Then insert 2 bolts (#A) into the upper end guardrails (#2) to lock with the rails, then secure using the Allen wrench (#H).



#4

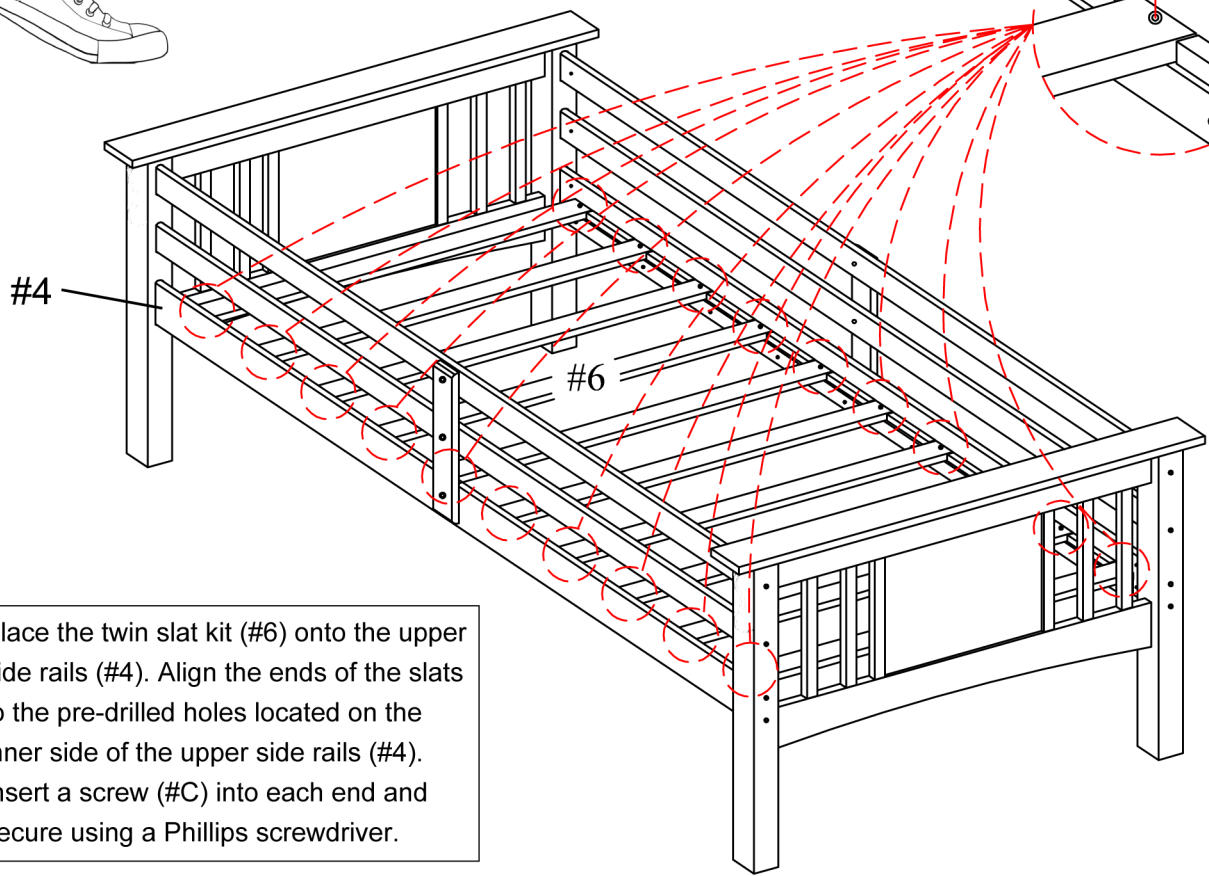
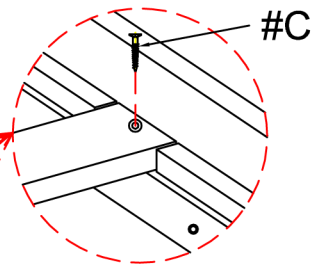
#Dx6pcs



Align the guardrail supports (#7) to the pre-drilled holes located along the sides of the upper side rails (#4) and guardrails (#5). Insert a total of 6 bolts (#D) and secure using the Allen wrench (#H).



#Cx20pcs

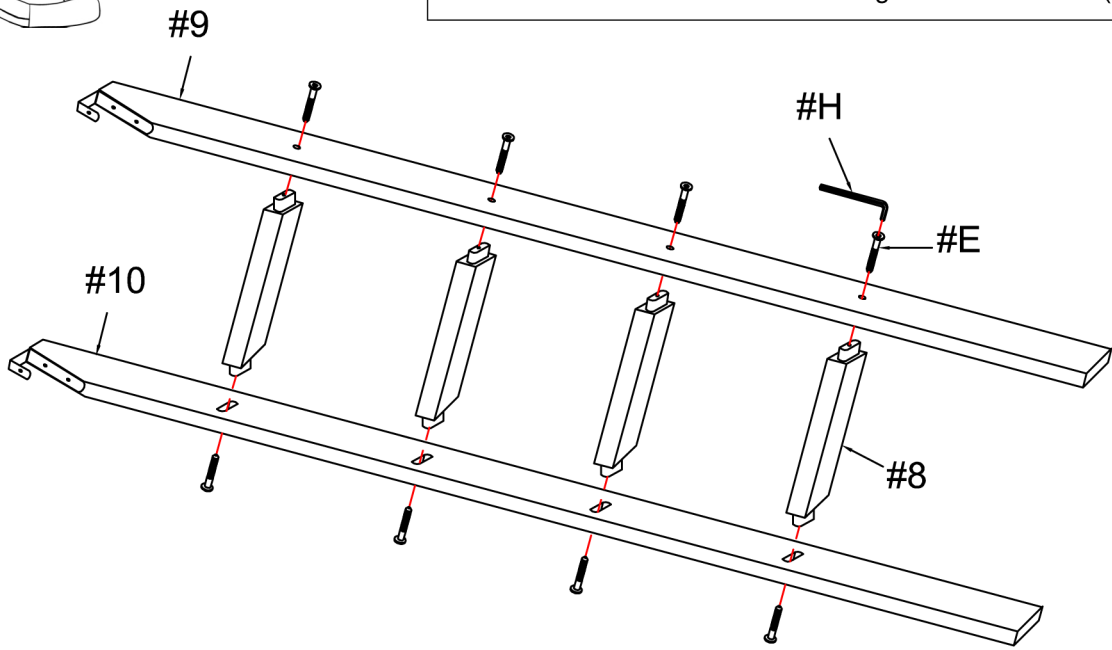


Place the twin slat kit (#6) onto the upper side rails (#4). Align the ends of the slats to the pre-drilled holes located on the inner side of the upper side rails (#4). Insert a screw (#C) into each end and secure using a Phillips screwdriver.



#Ex8pcs

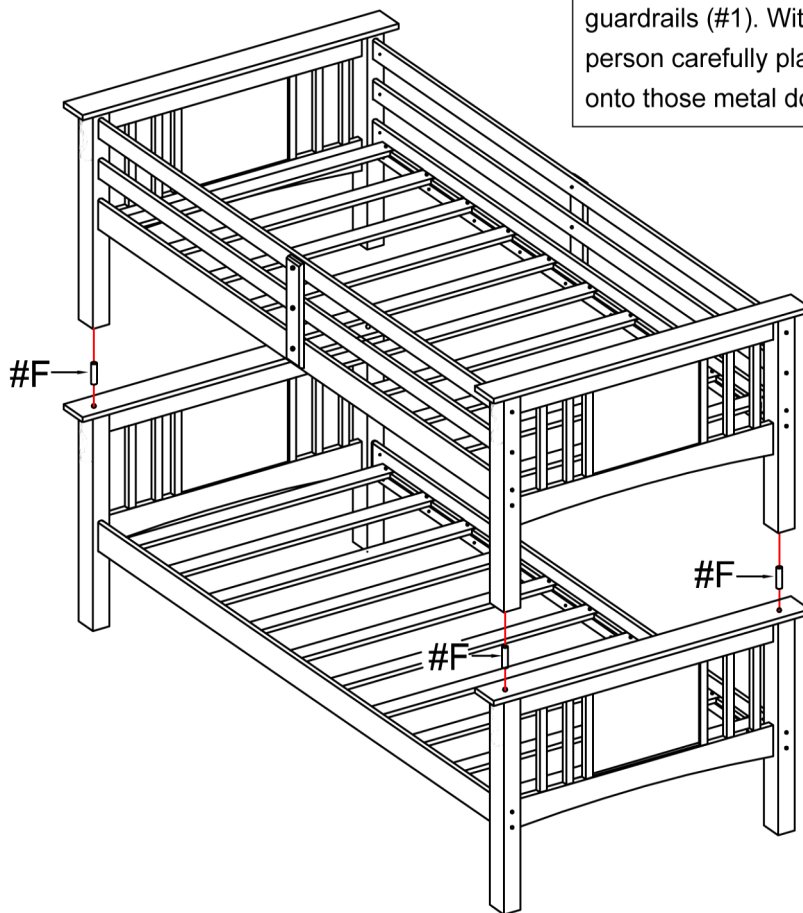
Insert the ends of the ladder steps (#8) into the designated slots along the side of the ladder rails (#9,10). Insert 4 screws (#E) into each ladder rail and secure using the Allen wrench (#H).



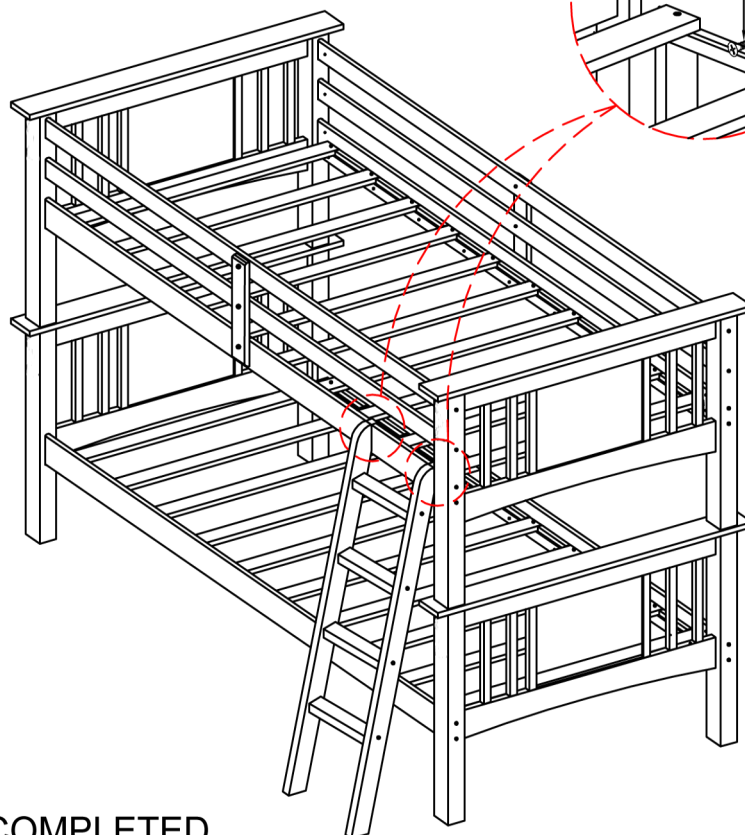
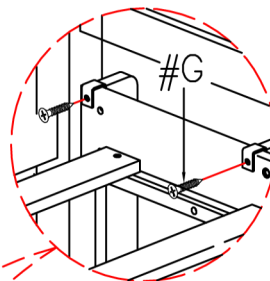


#Fx4pcs

Insert a metal dowel (#F) into the large pre-drilled holes located on top of the lower end guardrails (#1). With the help of another person carefully place the upper bunk bed onto those metal dowels (#F).



#Gx2pcs



Hook the top of the ladder rails onto the upper end side rail (#4). Locate the pre-drilled holes on the inner side then align and insert 2 screws (#G). Secure using a Phillips screwdriver.

ASSEMBLY IS COMPLETED

Safety Warnings for Bunk Beds

1. Read and follow the information on the WARNINGS shown on the end structure of the upper bunk and on the carton.
2. Do not remove warning label from the bed.
3. Keep these instructions for future reference.
4. **IMPORTANT: Must use Bunkie mattress or Bunkie board.** The proper sizes for the **UPPER/LOWER TWIN-SIZE** Bunkie mattress or Bunkie board should be 74" long and 37½" - 38½" wide with no more than 6" thickness and for the **UPPER/LOWER FULL-SIZE** should be 74" long and 53" - 54" wide with no more than 6" thickness.
5. Surface of mattress must be at least 5 inches (127 mm) **BELOW** the upper edge of guardrails.
6. The **MAXIMUM** weight capacity for the upper bunk is not to exceed 175 lbs.
7. Do not allow children under 6 years of age to use the upper bunk.
8. Periodically check and ensure that the guardrails, ladder, handle and other components are in their proper position, free from damage, and that all connectors are tightened and secured.
9. **DO NOT** allow horseplay, rough playing or jumping on the beds and do not allow playing or hiding under the beds.
10. Always use the ladder for entering or leaving the upper bunk.
11. Do not use substitute parts. Contact the manufacturer or dealer for replacement parts.
12. Use of a nightlight may provide added safety precaution for a person using the upper bunk.
13. Always use the guardrails on both sides of the upper bunk.
14. If the bunk bed will be placed next to a wall, the guardrail that runs the full length of the bed should be placed against the wall to prevent entrapment between the bed and the wall.
15. The use of water or sleep flotation mattresses is prohibited.
16. No more than one person is allowed on the upper bunk at all times.



WARNING: STRANGULATION HAZARD

Never attach or hang objects to any part of the bunk bed that are not designed for use with the bed. Objects such as hanger, hook, belt, bag, rope, string, etc. should not be used on or around the bunk bed.