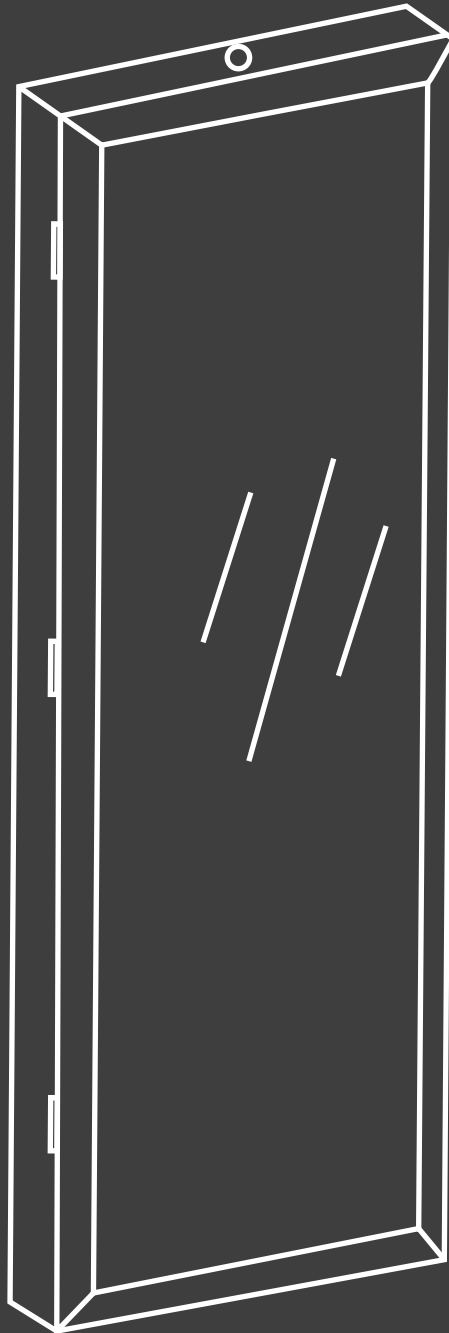


Jewelry Cabinet

Instruction Manual



1 Component List

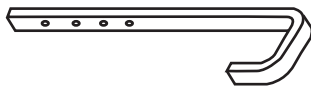
A



x1

Cabinet

B



x2

Hook

2 Hardware

1



x6

Screws

2



x2

Wall Anchor

3



x2

Screws

4



x2

Sticker

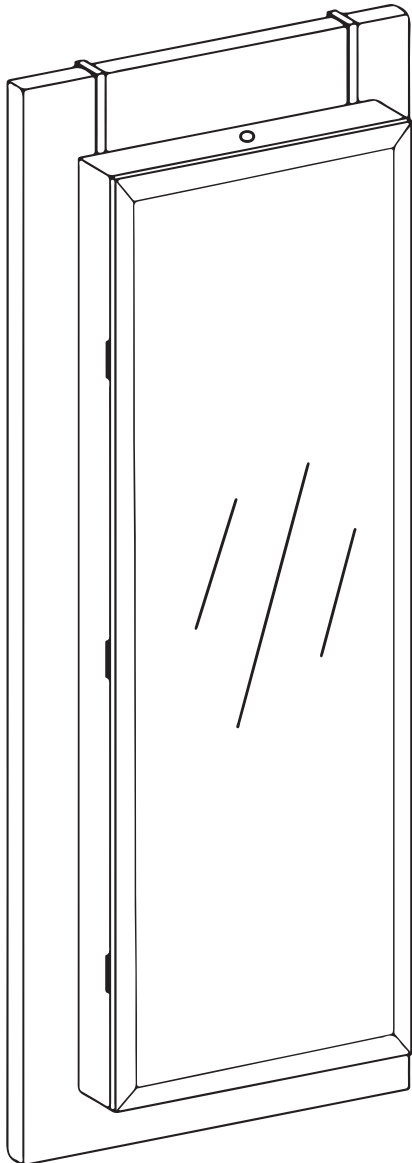
5



x2

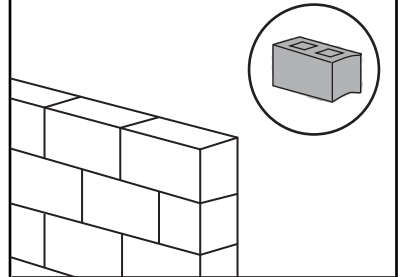
Keys

Over the door



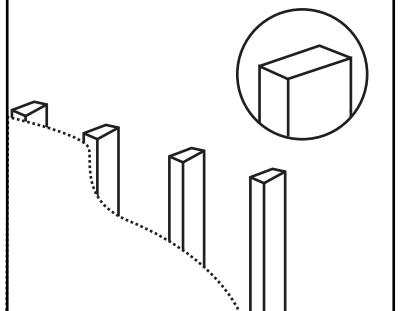
Wall-mounted

Solid **concrete** or
concrete block



ACCEPTABLE

Wood studs



ACCEPTABLE

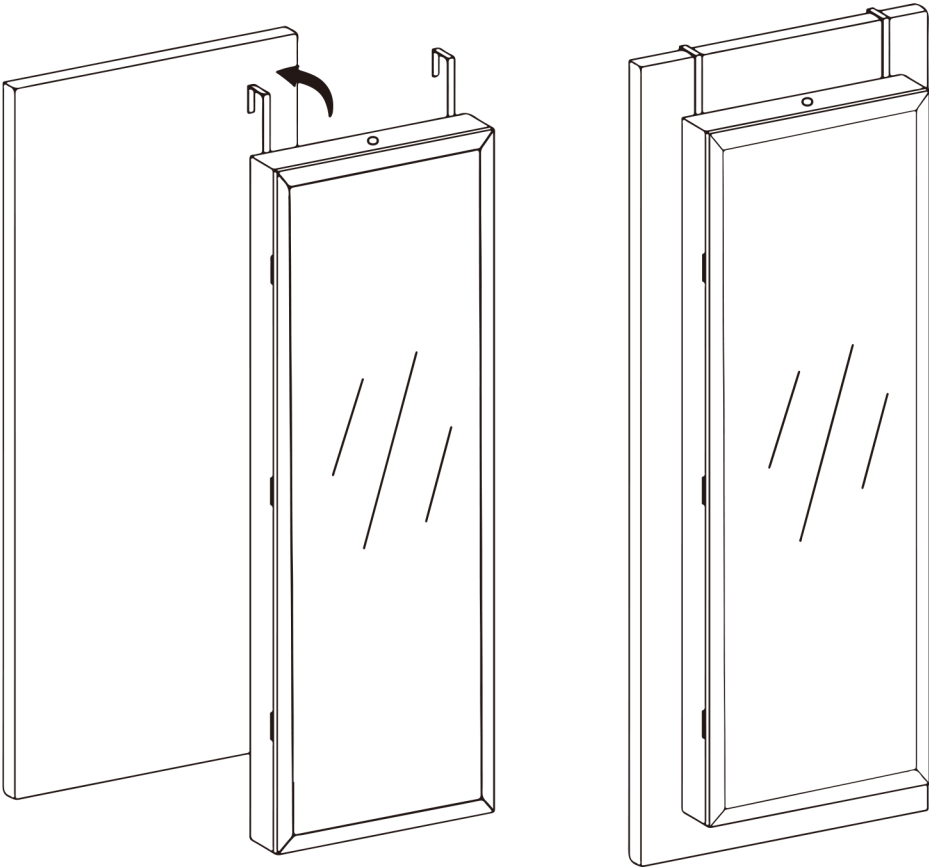
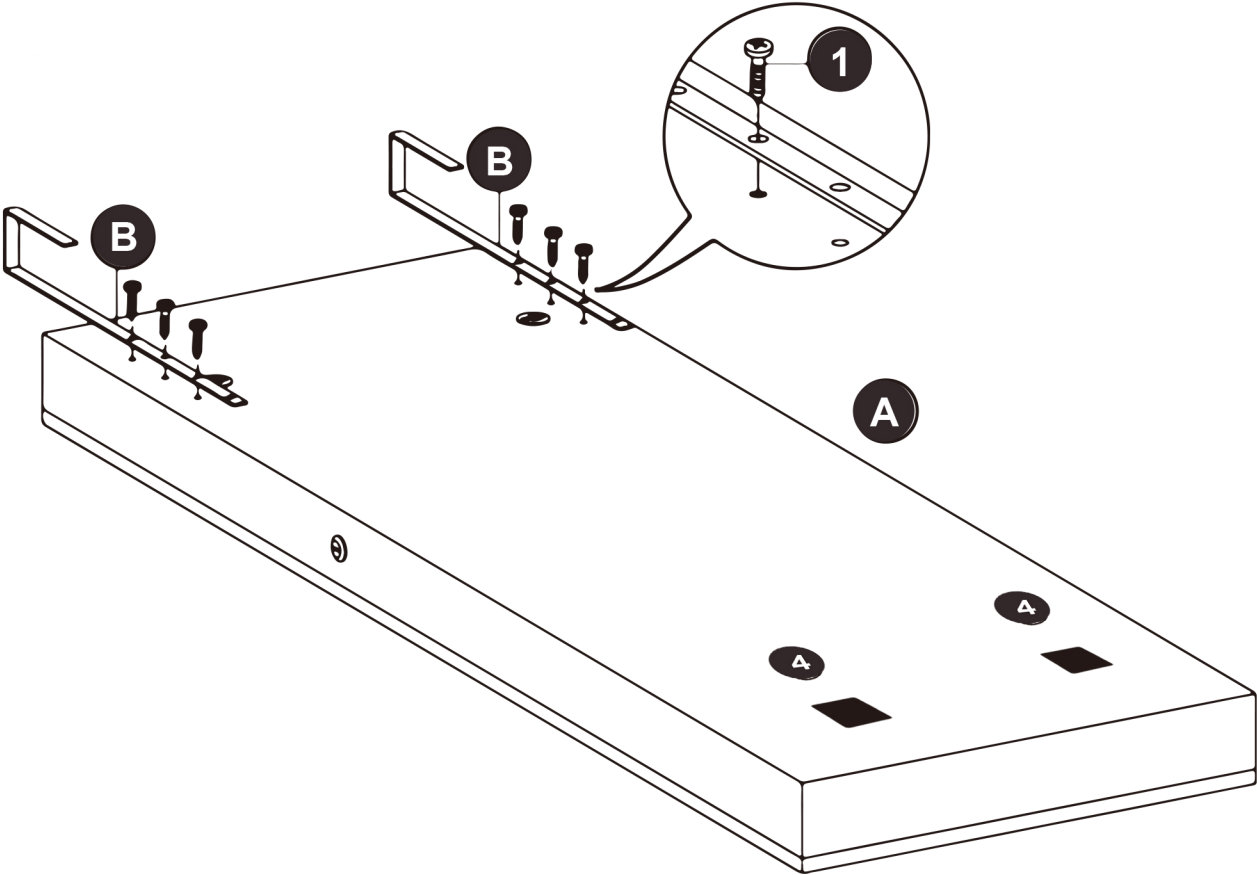
 **CAUTION:**

DO NOT install
in drywall alone

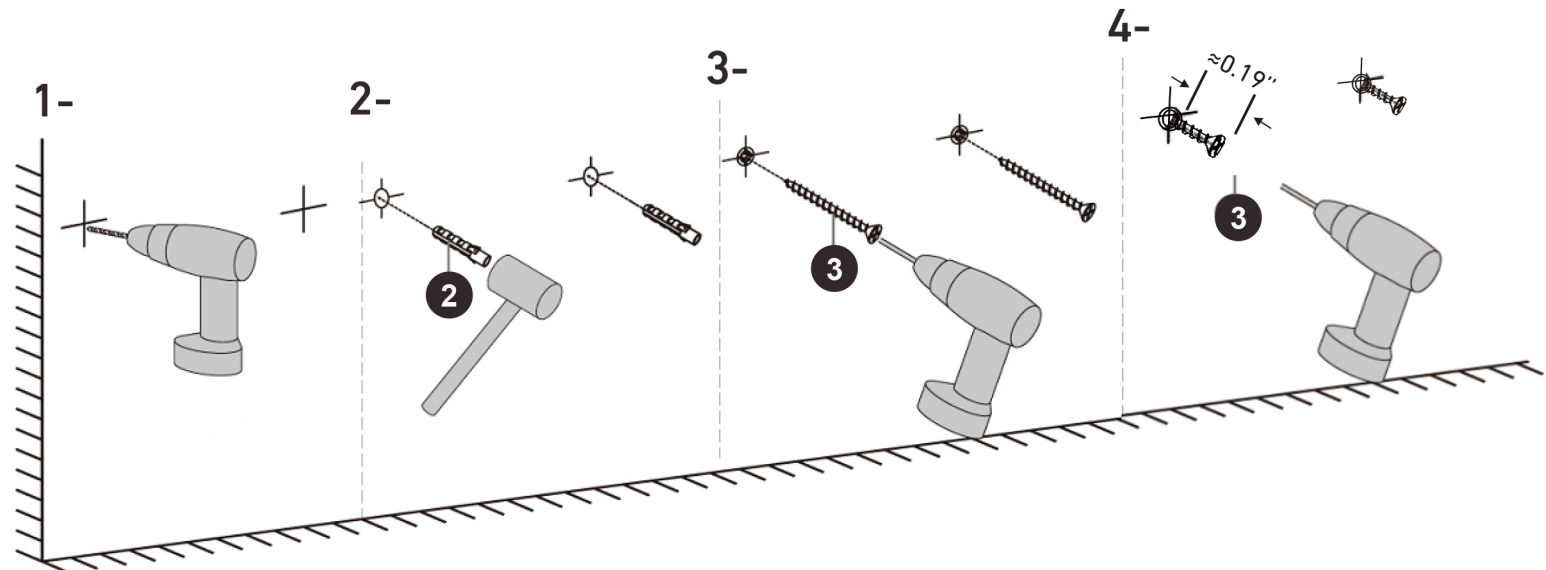
Drywall alone will
NoT hold the weight
of your Jewelry
Cabinet.



Over the door

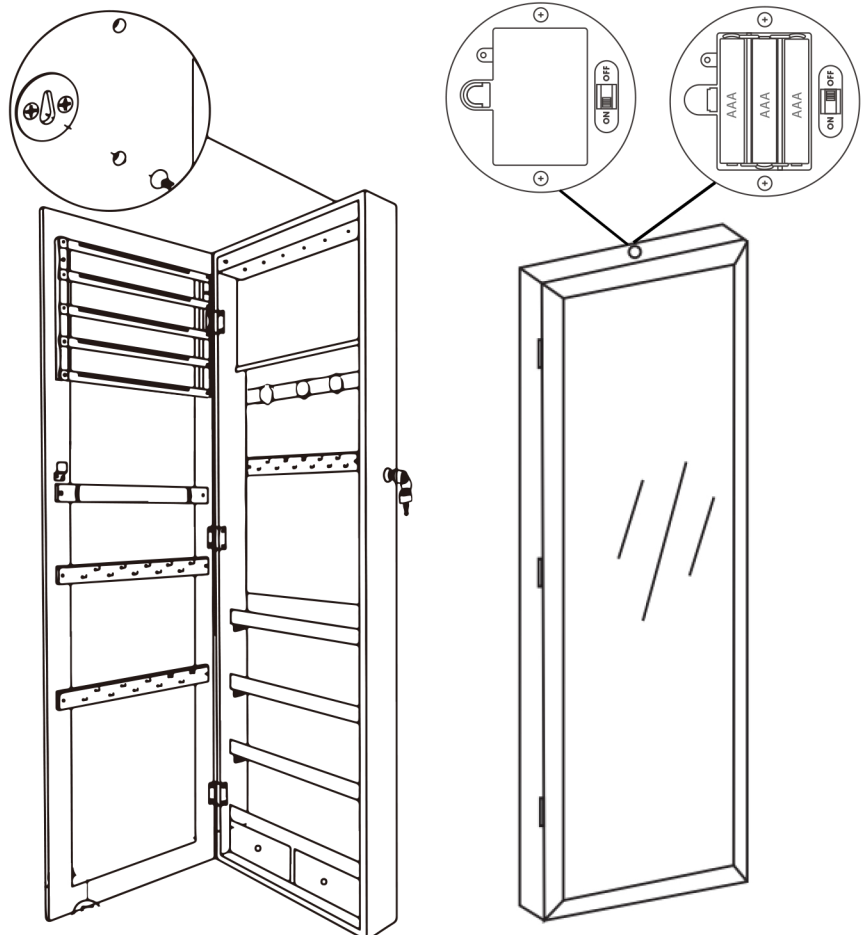


Wall-mounted



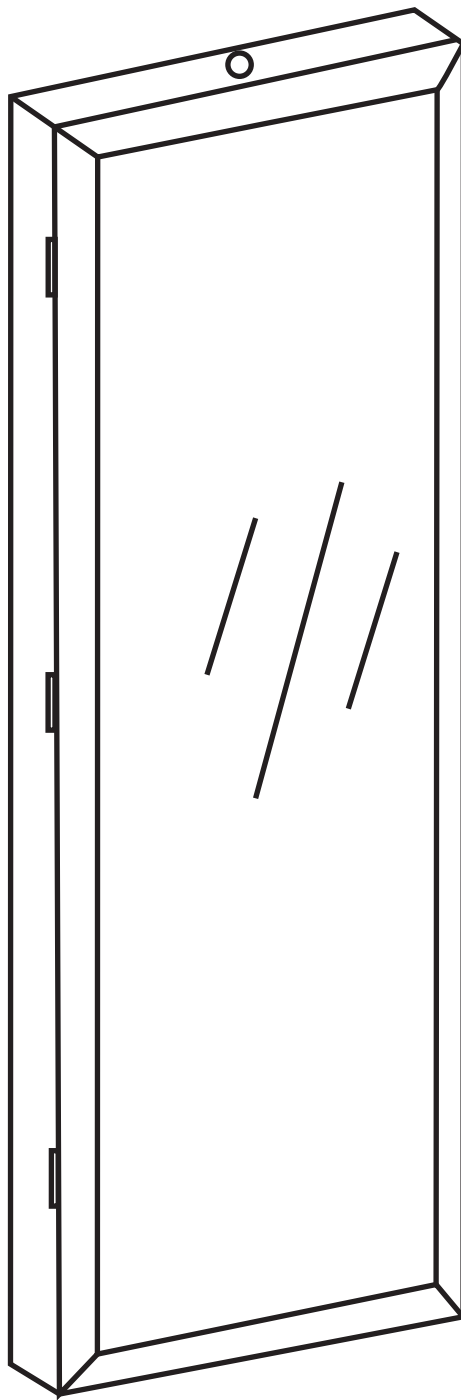
NOTE:

- 1: 0.19 inches clearance is needed.
- 2: Use stud finder if mounted to stud wall.
- 3: Make sure to drill on a horizontal stud.



NOTE:

- Battery model: 3 AAA**
Load capacity:
Hook : 1.10lbs
Earring Hanger: 1.21lbs
Compartment : 5.51lbs



Thank you for choosing this product. We strive to provide you with the best quality products and service in the industry. Should you have any issues, please don't hesitate to contact us.