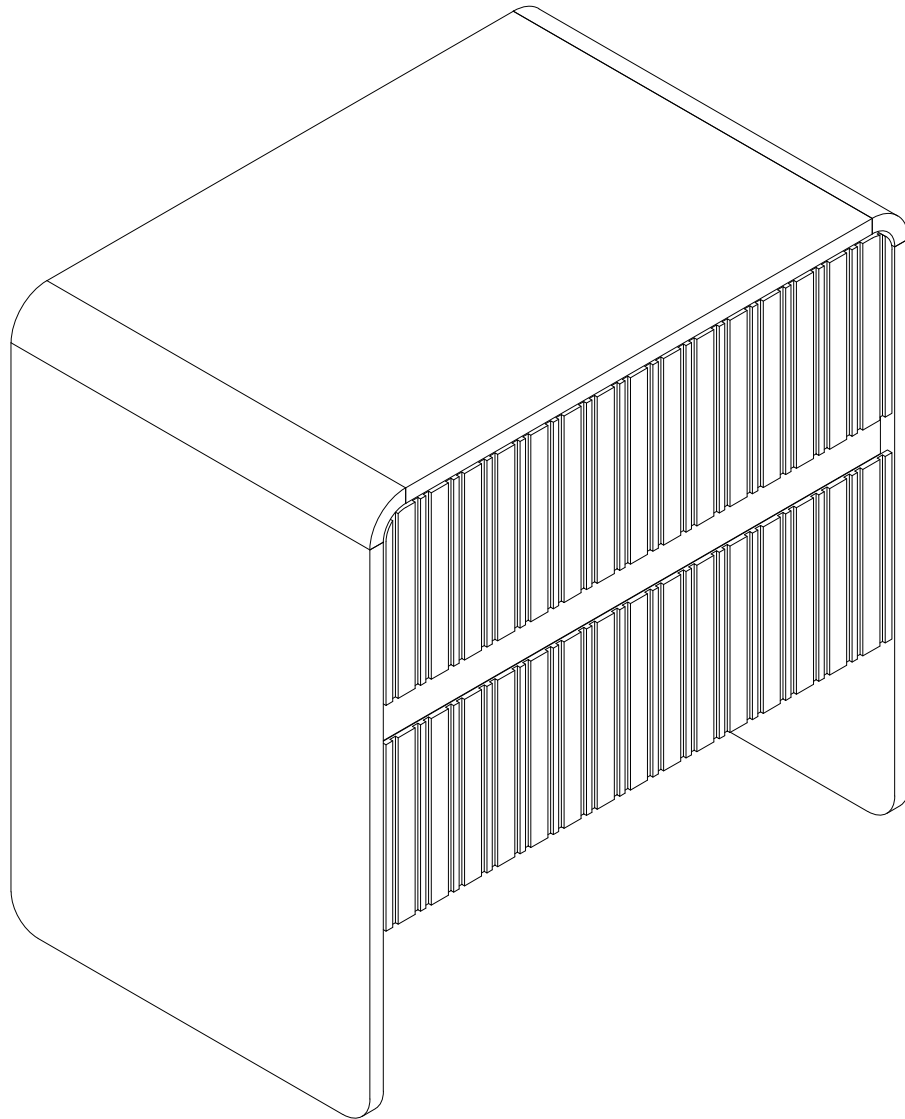


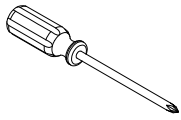
Installation Instruction



Assembling

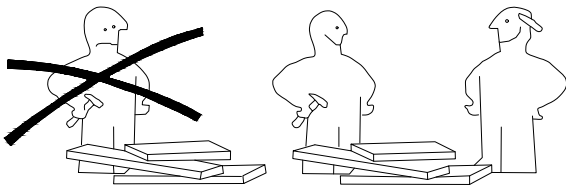
What you need

- Use the packaging carton as a working surface to prevent product damage during assembly
- Phillips head screwdriver



Weight Limitation


100 | **35**
 lbs table top lbs per

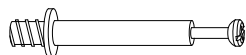


What' included

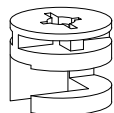
Code	Description	Qty
A	Cam Bolt M6X35MM	24
B	Cam Lock 15X9MM	24
C	Wooden Dowel M8X30MM	16
D	Screw M4X40MM	10
E	The screw M3X14MM	22
F	Hole position sticker	24
G	The back button	4
H	Thumbtack	4
I	Anchor	2
J	Nylon Strap	2
CL	Left mother extended orbit	2
CR	Right mother extended orbit	2
DL	Left public extension track	2
DR	Right public extends track	2

The Hardwares

A



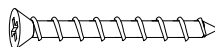
B



C



D



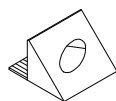
E



F



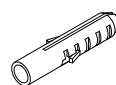
G



H



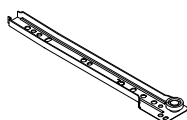
I



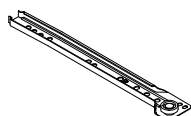
J



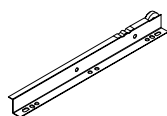
CL



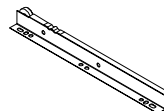
CR



DL



DR



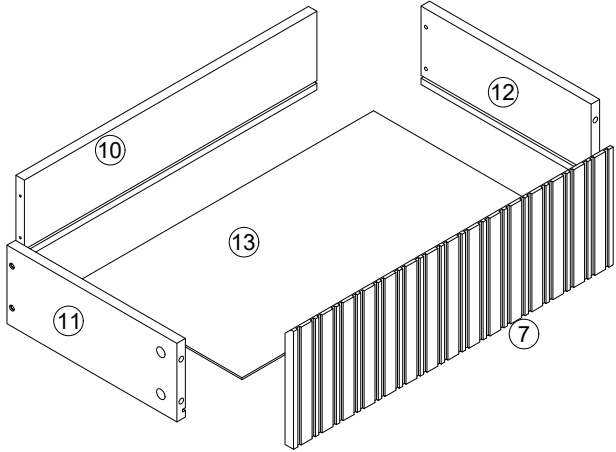
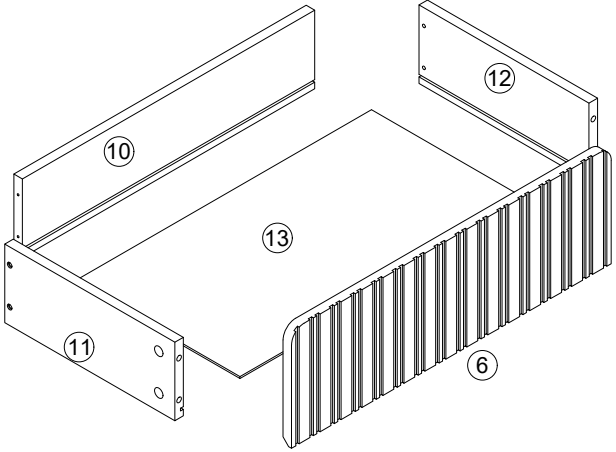
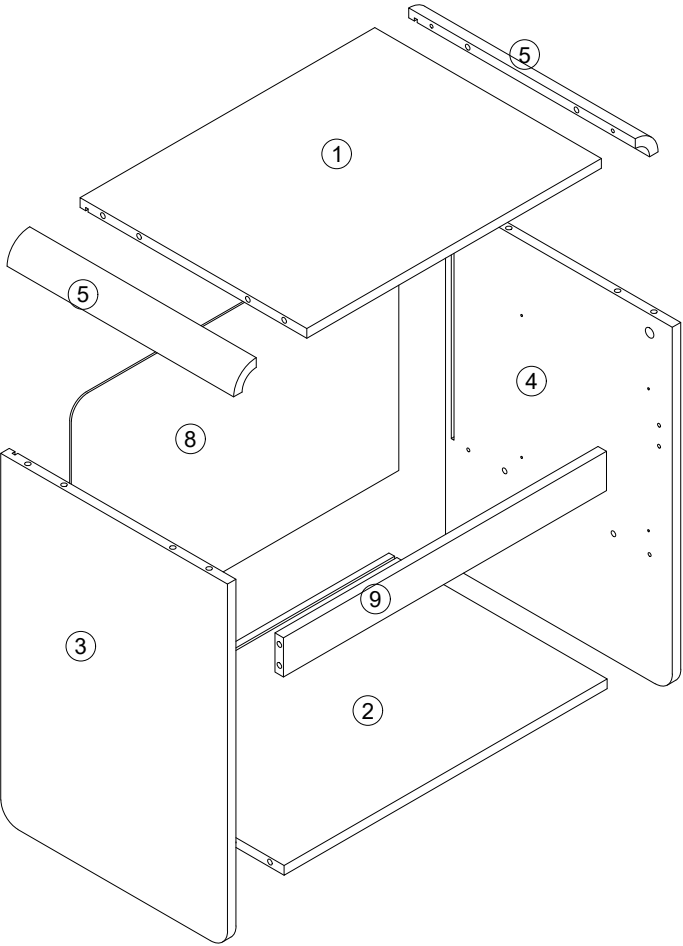
IMPORTANT:

1. Do not tighten bolts / screws completely until all bolts / screws are lined up and inserted into holes.
2. Do not over tighten screws and bolts to avoid stripping
3. Please use hand tools to assemble this product, you can also use power tools (please use power tools carefully)

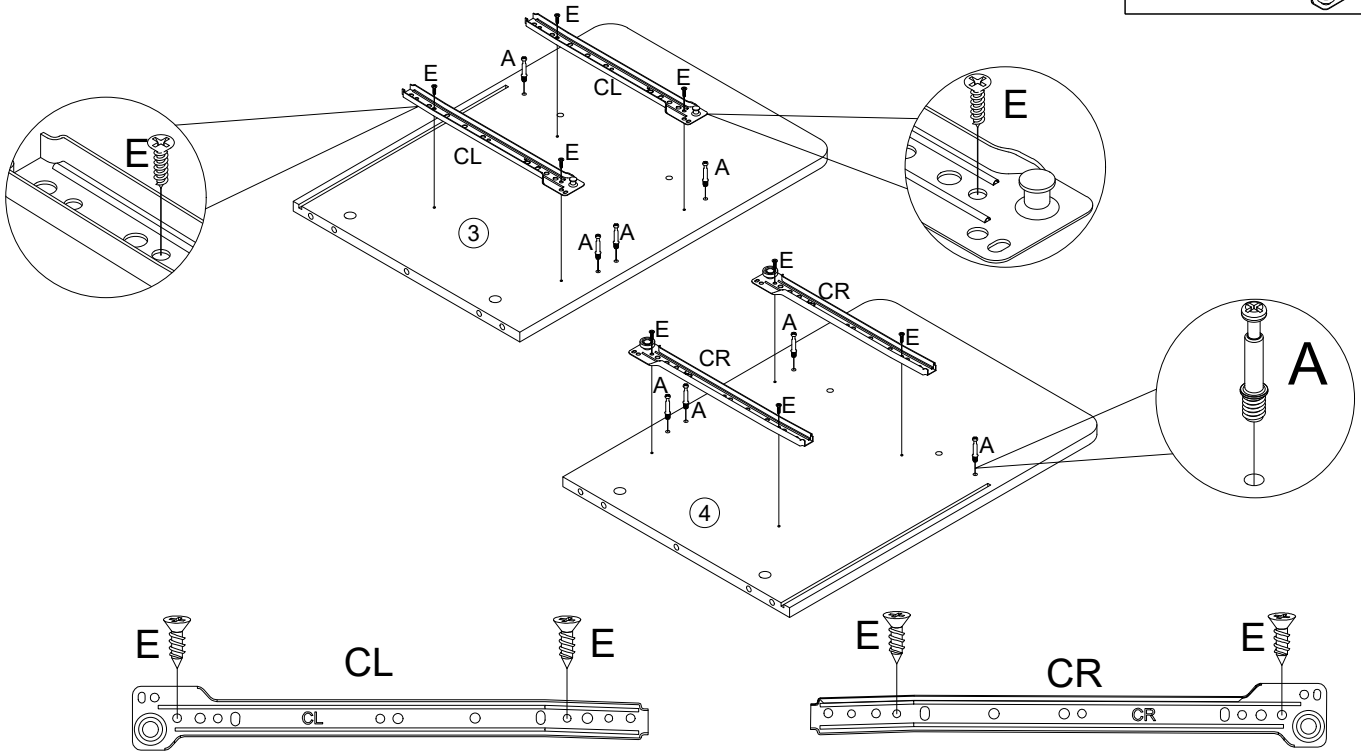
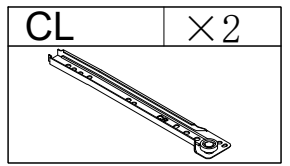
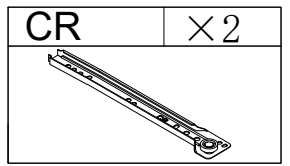
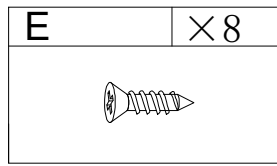
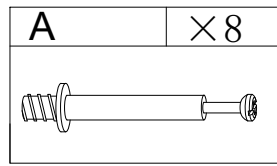
Included Accessories

Code	Description	Qty
1	Cabinet Top	1
2	Bottom Panel	1
3	Left Side Panel	1
4	Right Side Panel	1
5	Arc connecting plate	2
6	Upper drawer panel	1
7	Bottom drawer panel	1
8	Back plate	1
9	Baffle plate	1
10	After the drawer board	2
11	Drawer left panel	2
12	Drawer right side panel	2
13	The drawer bottom	2

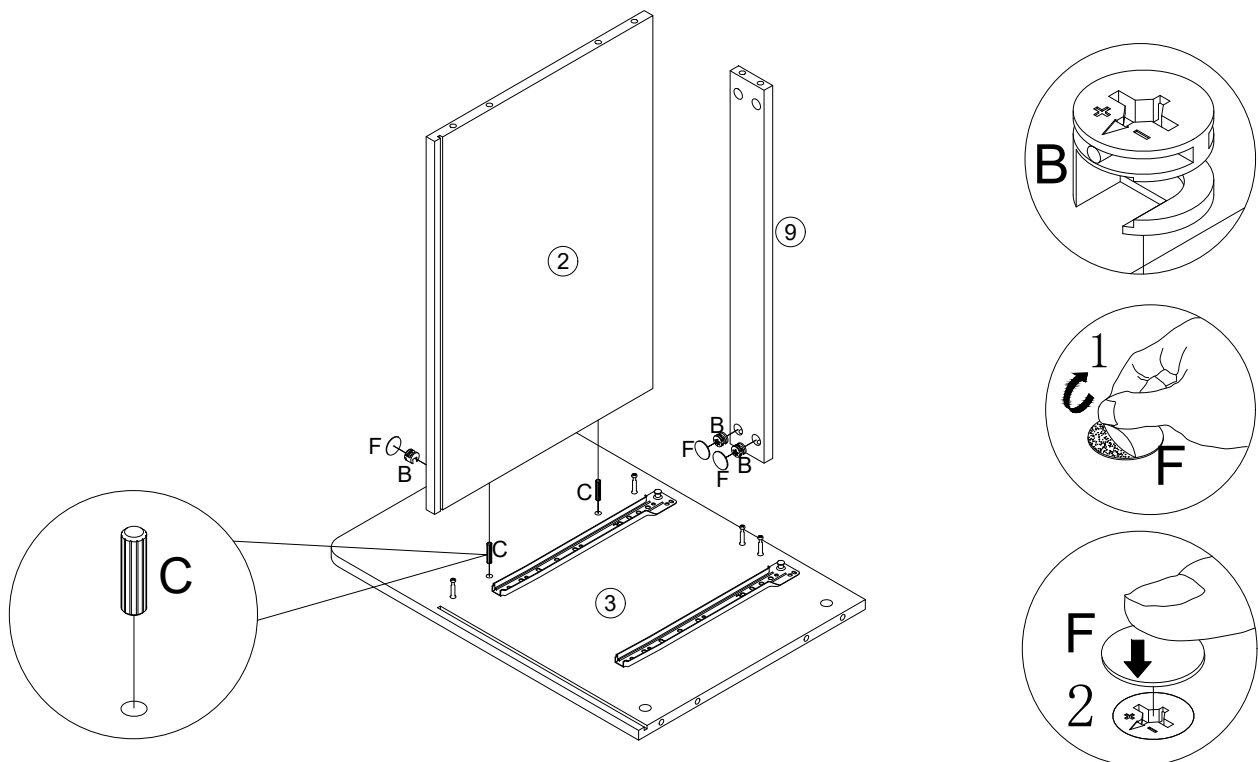
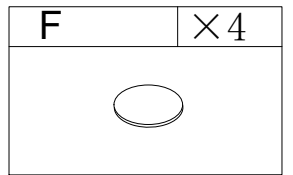
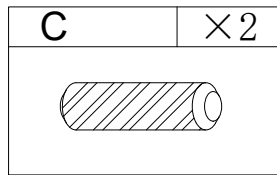
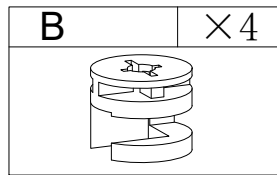
The Accessoriess



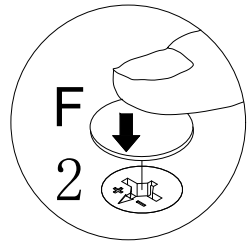
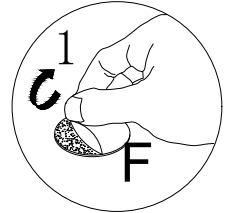
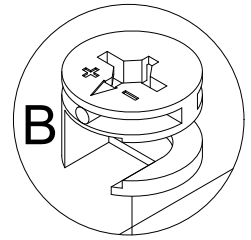
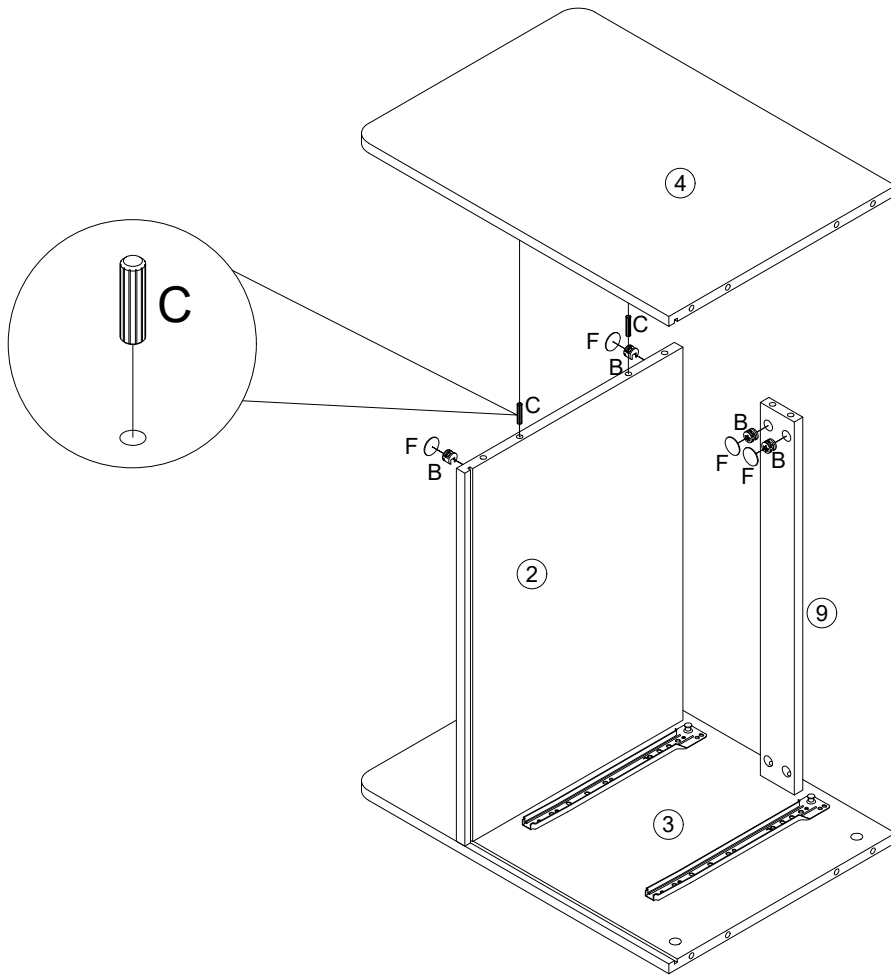
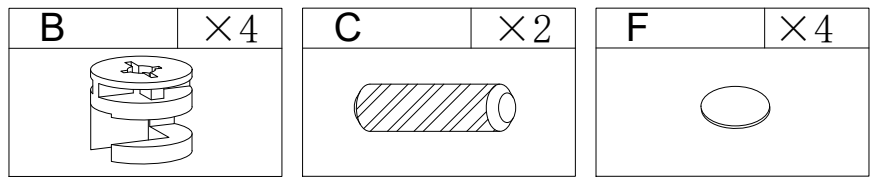
Step 1



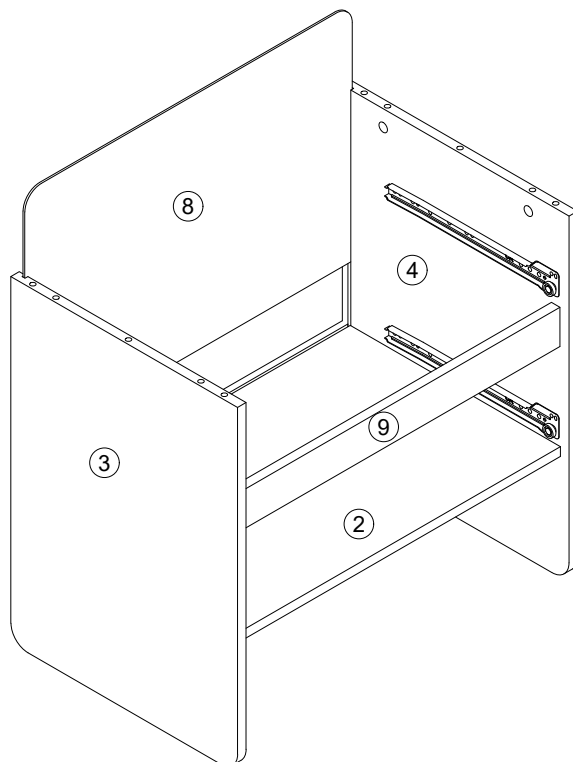
Step 2



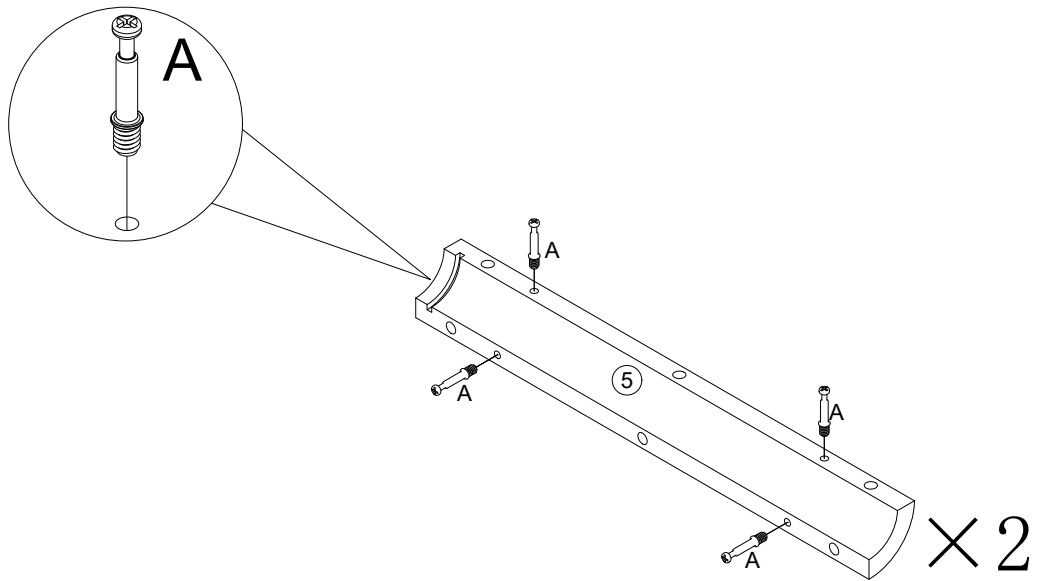
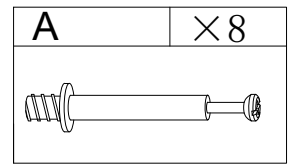
Step 3



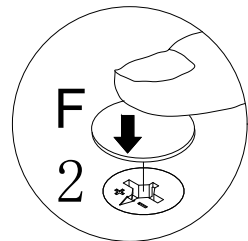
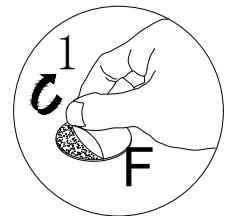
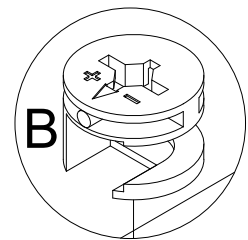
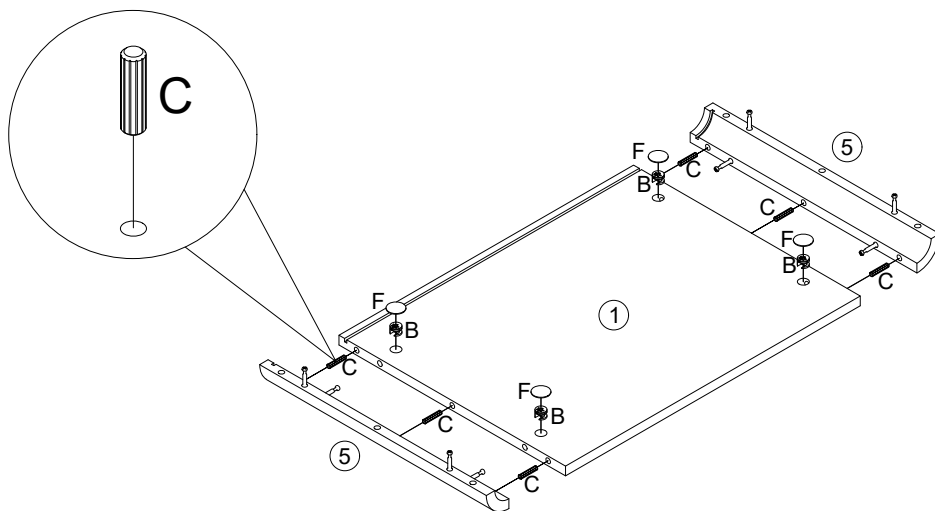
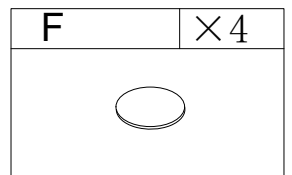
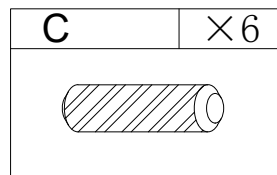
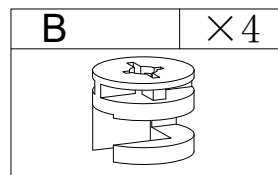
Step 4



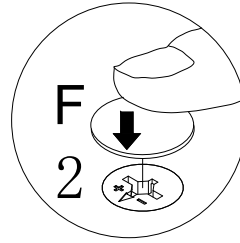
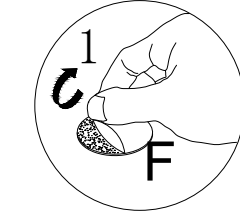
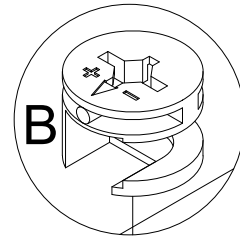
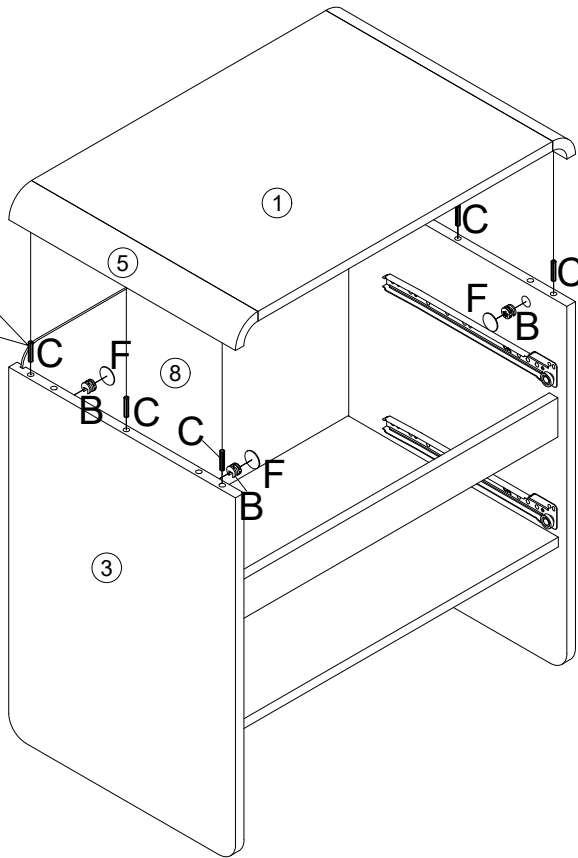
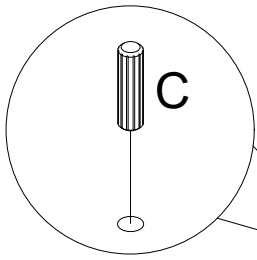
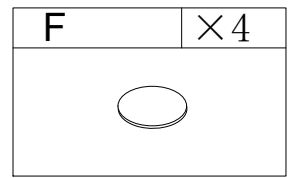
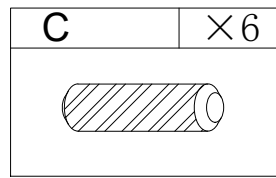
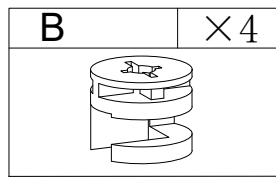
Step 5



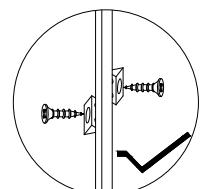
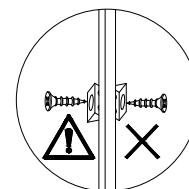
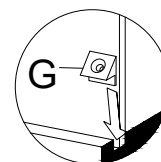
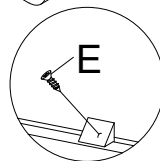
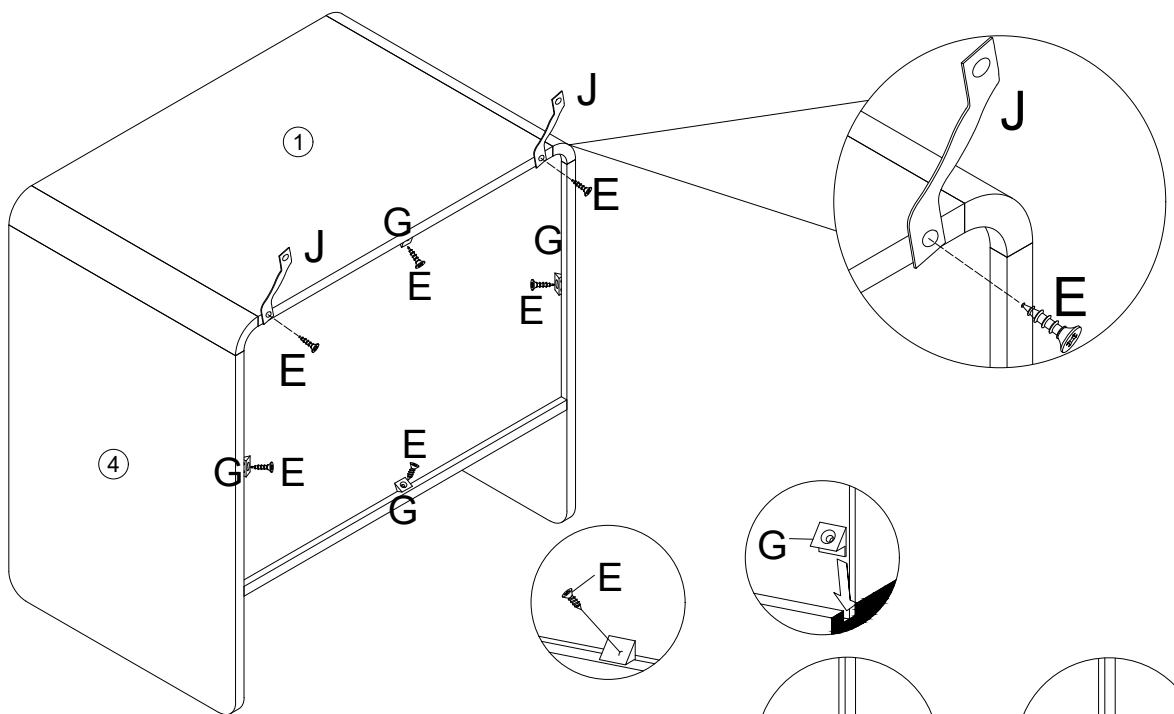
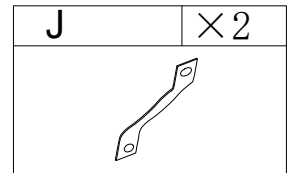
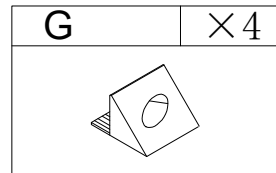
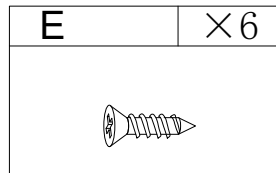
Step 6



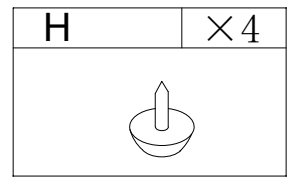
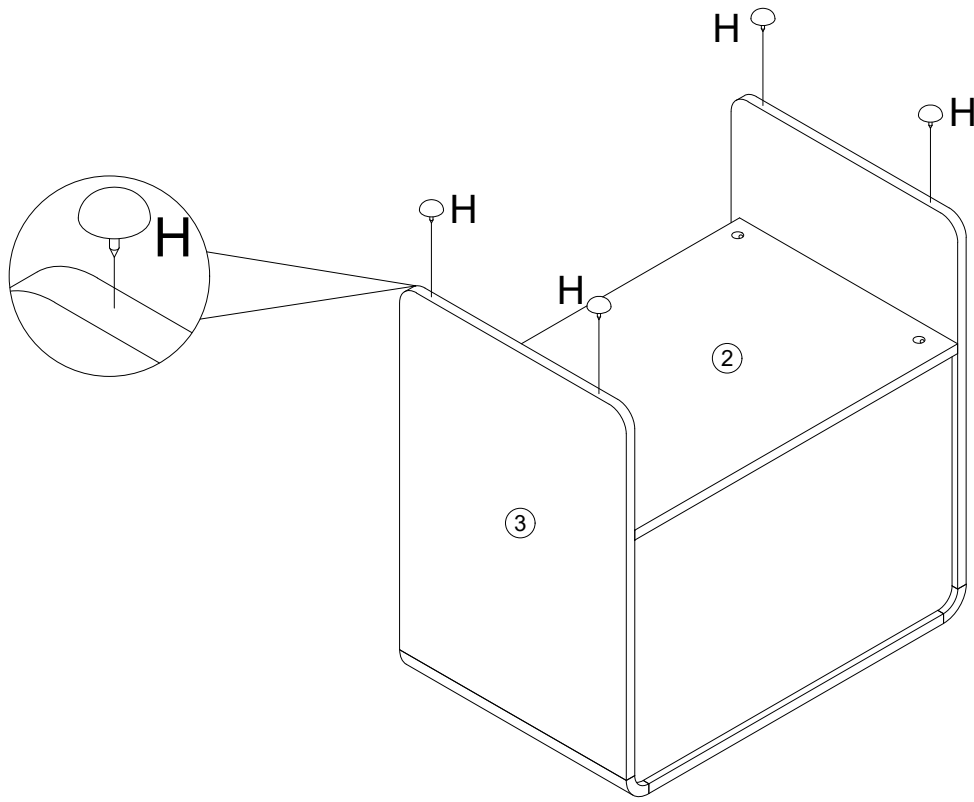
Step 7



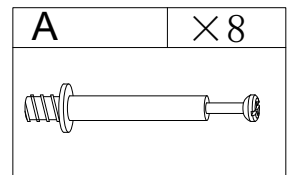
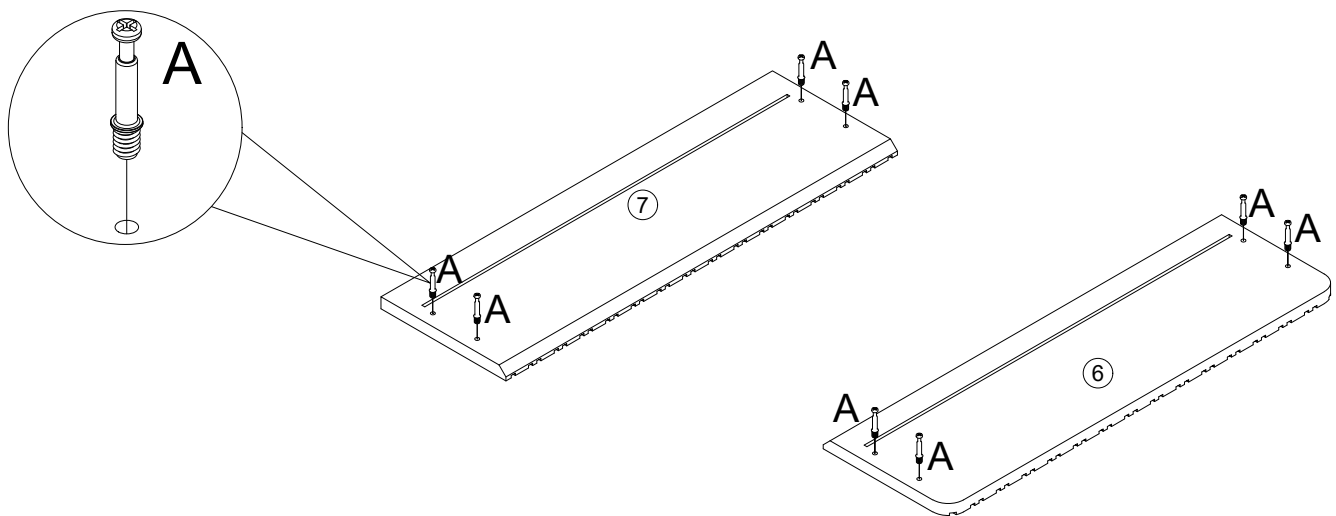
Step 8



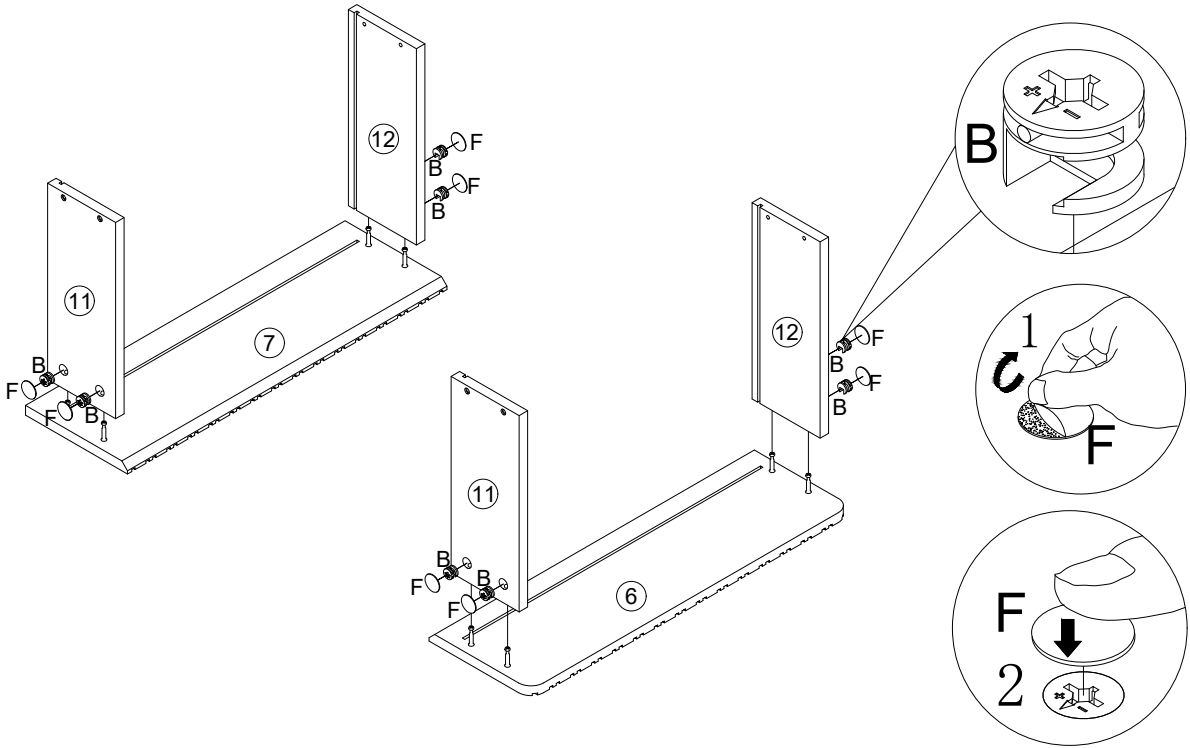
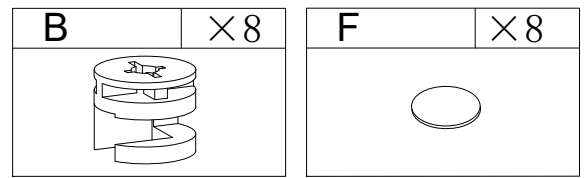
Step 9



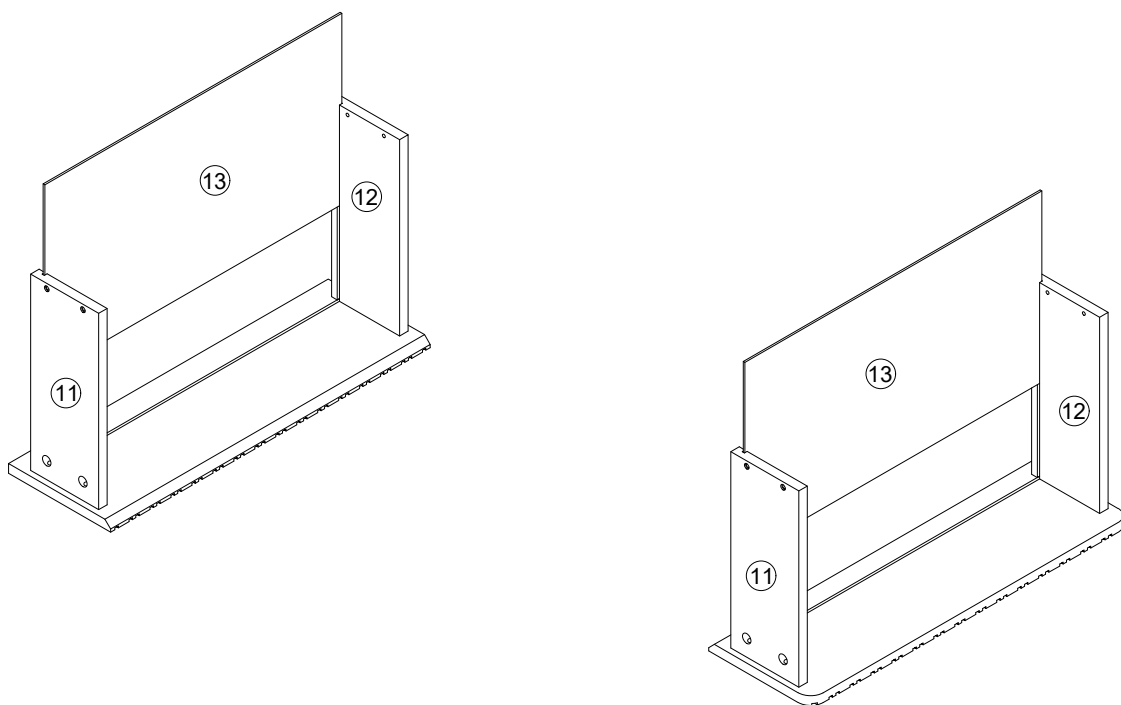
Step 10



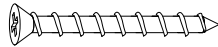
Step 11

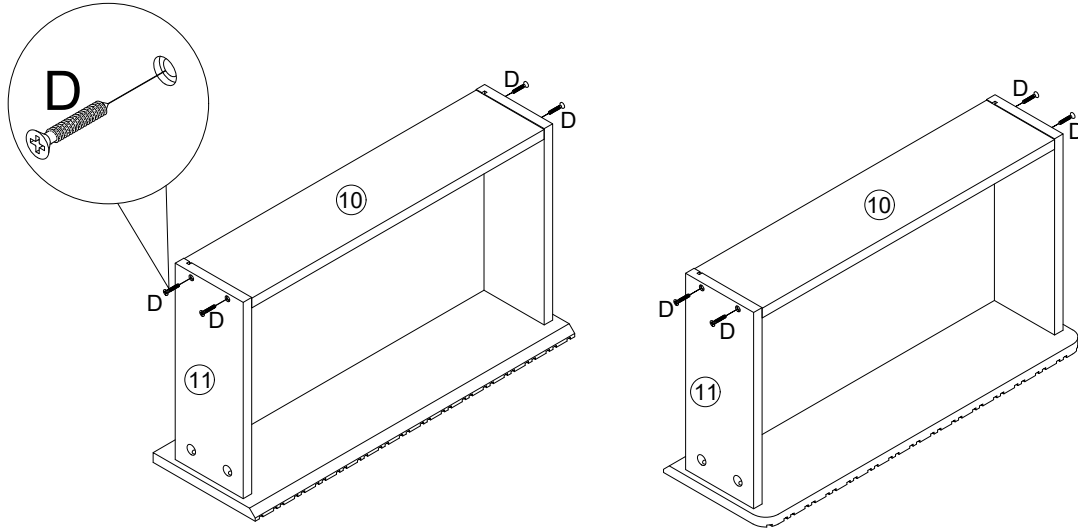


Step 12

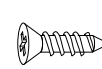
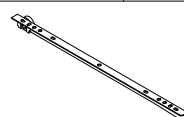
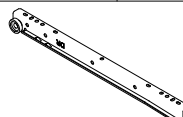


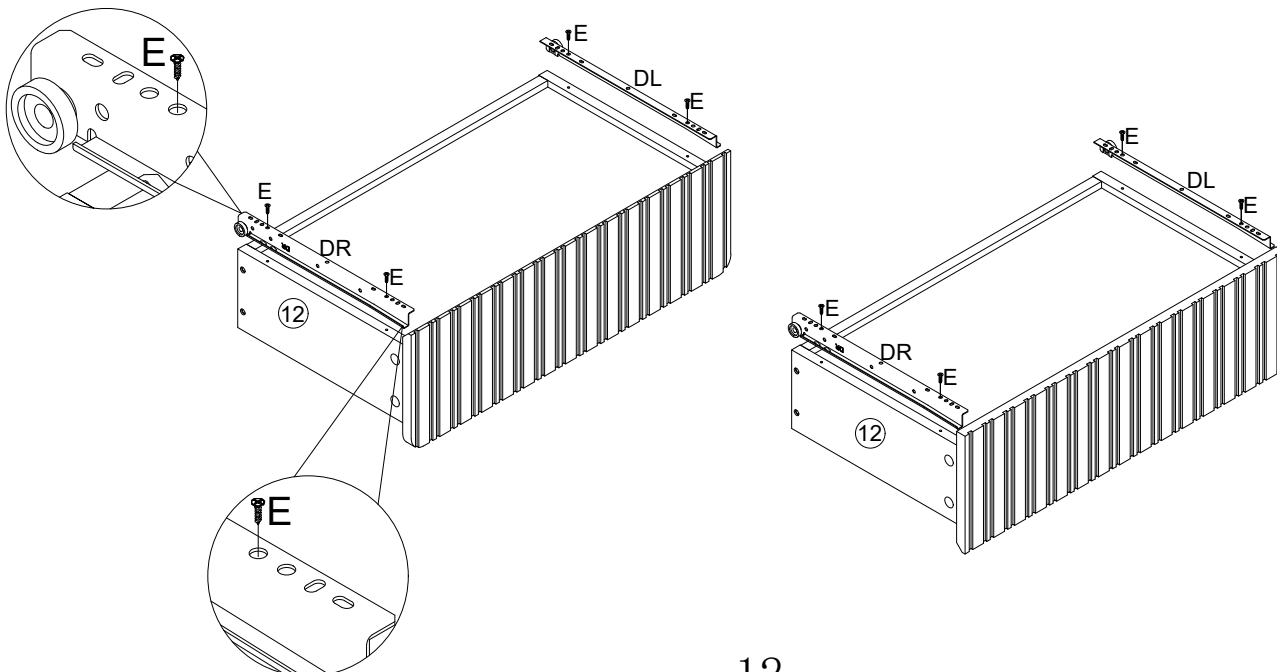
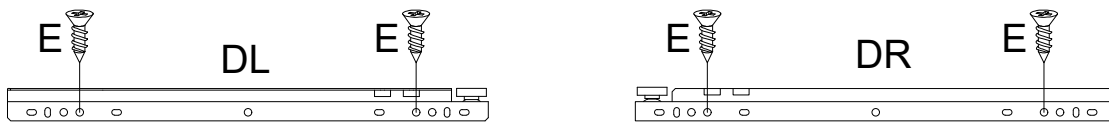
Step 13

D	×8
	

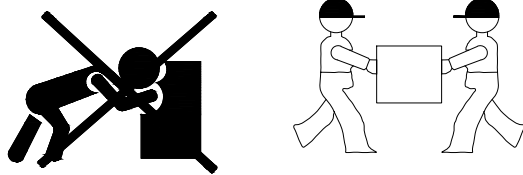
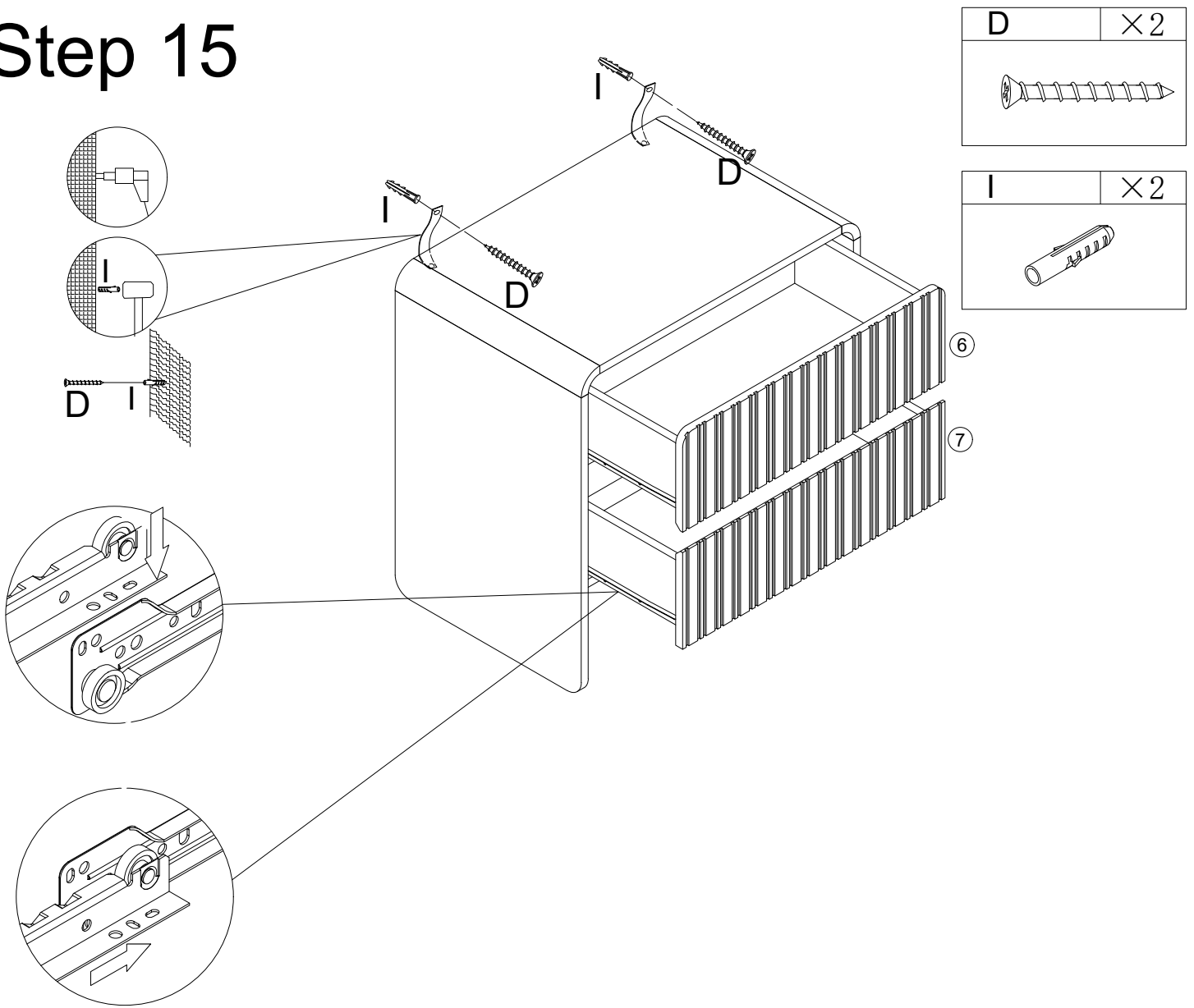


Step 14

E	×8	DL	×2	DR	×2
					



Step 15



Two people work together to move the table.
Make sure you lift it off the ground.
Don't push and pull.