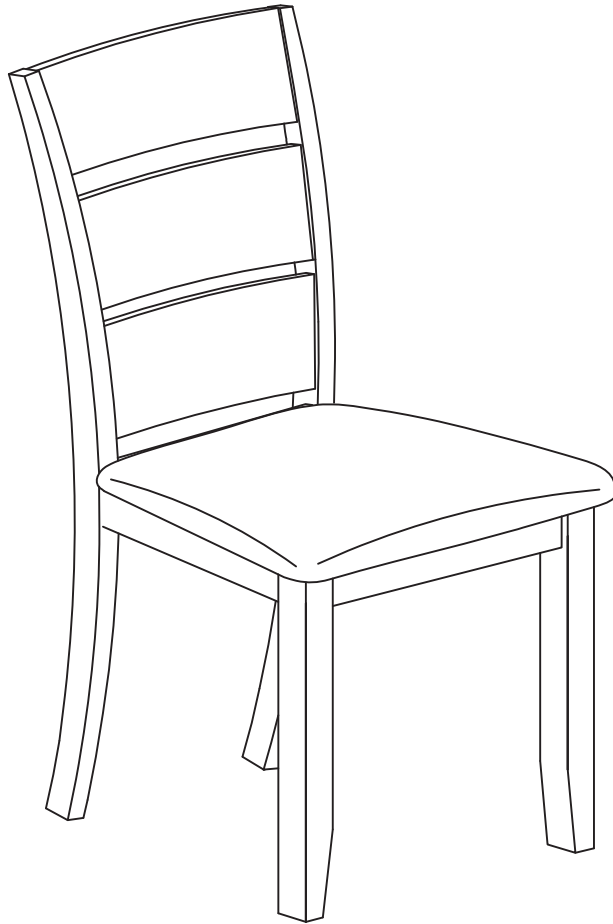
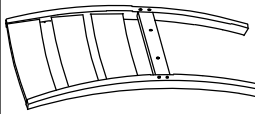
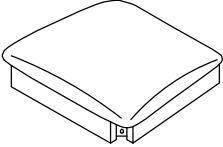
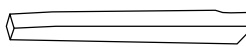
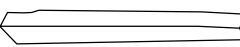


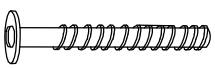
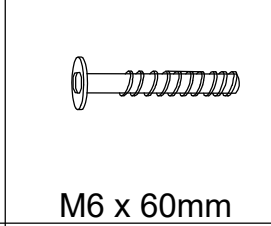
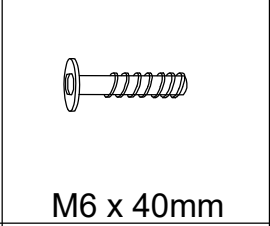
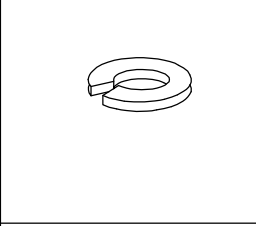
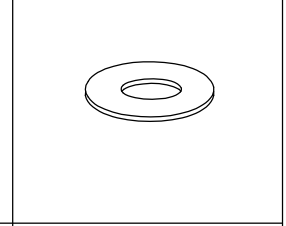
Dining Chair




PART LIST

<div data-bbox="103 134 151 179" data-label="Text">#A2</div> 	<div data-bbox="375 134 422 179" data-label="Text">#B2</div> 	<div data-bbox="643 134 691 179" data-label="Text">#C2</div> 	<div data-bbox="912 134 960 179" data-label="Text">#D2</div> 
<div data-bbox="175 436 295 515" data-label="Text"> <p>Back 2 PCS</p> </div>	<div data-bbox="446 436 566 515" data-label="Text"> <p>Seat 2 PCS</p> </div>	<div data-bbox="694 436 853 515" data-label="Text"> <p>Right Leg 2 PCS</p> </div>	<div data-bbox="965 436 1101 515" data-label="Text"> <p>Left Leg 2 PCS</p> </div>

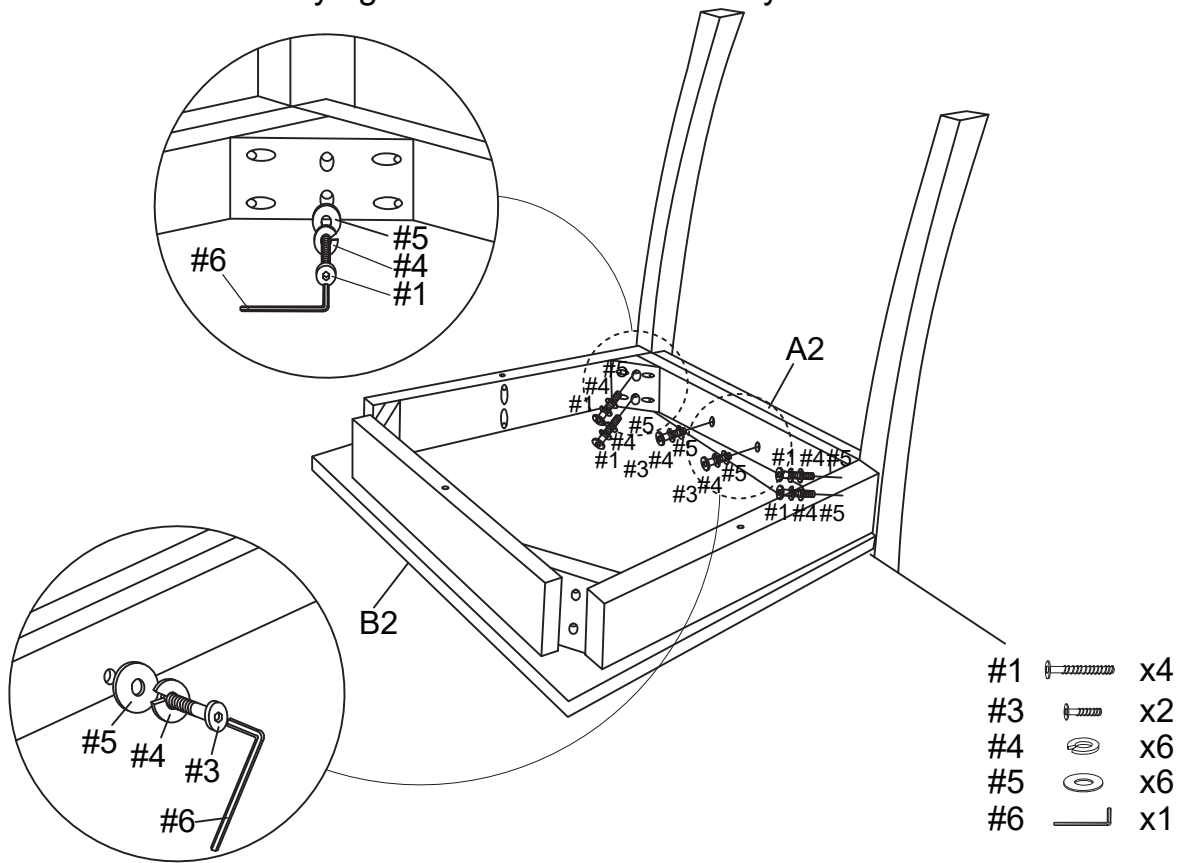
HARWARE LIST

<div data-bbox="103 739 151 784" data-label="Text">#1</div> 	<div data-bbox="375 739 422 784" data-label="Text">#2</div> 	<div data-bbox="643 739 691 784" data-label="Text">#3</div> 	<div data-bbox="912 739 960 784" data-label="Text">#4</div> 	<div data-bbox="1173 739 1220 784" data-label="Text">#5</div> 
<div data-bbox="151 974 327 1019" data-label="Text"> <p>M6 x 80mm</p> </div>	<div data-bbox="422 974 598 1019" data-label="Text"> <p>M6 x 60mm</p> </div>	<div data-bbox="686 974 861 1019" data-label="Text"> <p>M6 x 40mm</p> </div>		
<div data-bbox="127 1041 359 1120" data-label="Text"> <p>Long Bolt 8 PCS (Extra1)</p> </div>	<div data-bbox="399 1041 630 1120" data-label="Text"> <p>Bolt 8 PCS (Extra1)</p> </div>	<div data-bbox="662 1041 893 1120" data-label="Text"> <p>Short Bolt 4 PCS (Extra1)</p> </div>	<div data-bbox="917 1041 1157 1120" data-label="Text"> <p>Spring Washer 20 PCS (Extra1)</p> </div>	<div data-bbox="1189 1041 1428 1120" data-label="Text"> <p>Flat Washer 20 PCS (Extra1)</p> </div>

<div data-bbox="103 1176 151 1220" data-label="Text">#6</div> 
<div data-bbox="207 1422 263 1456" data-label="Text"> <p>M4</p> </div> <div data-bbox="143 1478 343 1556" data-label="Text"> <p>Allen Wrench 1 PC</p> </div>

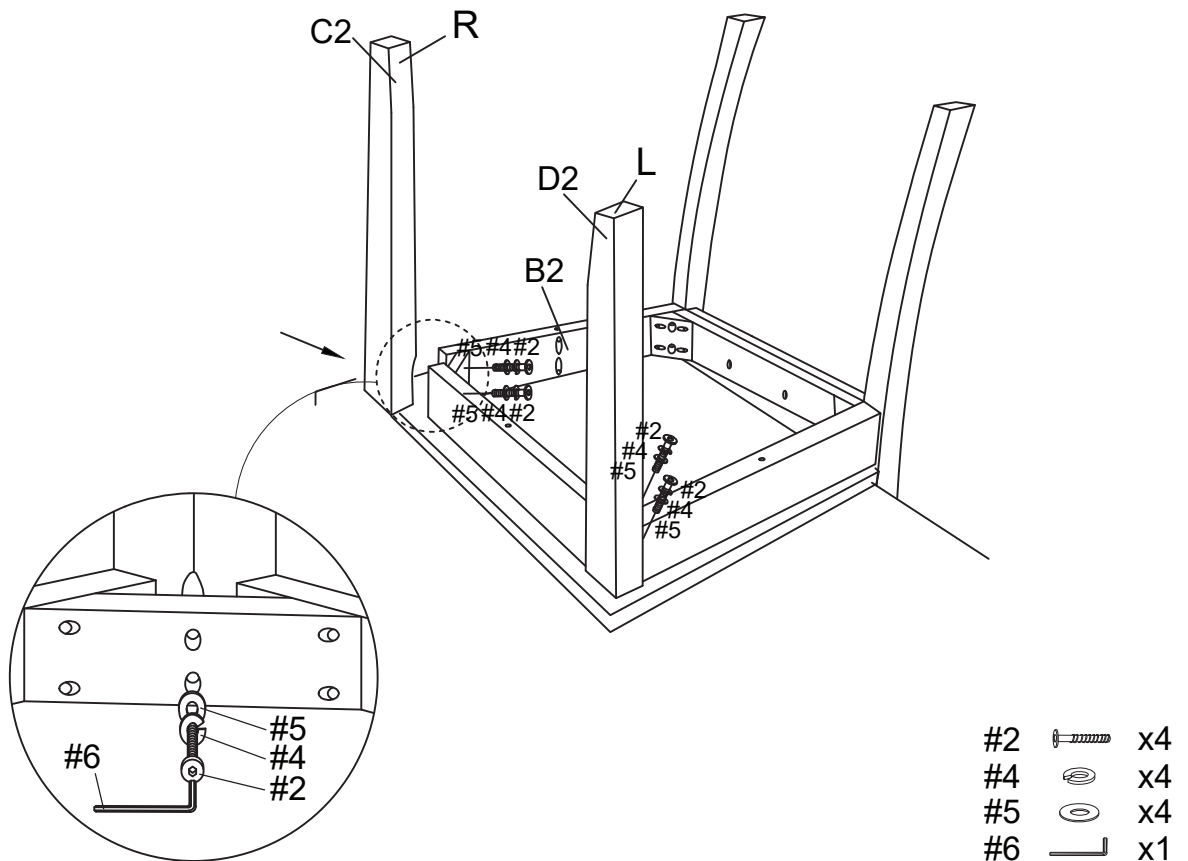
Step 1. Attach seat (part B2) to back (part A2) using long bolts (part #1), short bolts (part #3), spring washers (part #4), flat washers (part #5), and allen wrench (part #6).

NOTE: Please do not fully tighten bolts until unit is fully assembled.



Step 2. Attach legs (parts C2 & D2) to seat (part B2) using bolts (part #2), spring washers (part #4), flat washers (part #5) and allen wrench (part #6).

NOTE: Please fully tighten all bolts at this time.



Step 3. Carefully turn unit upright. Repeat steps 1-2 to assemble remaining chair.

