

## **CARE AND MAINTENANCE**

---

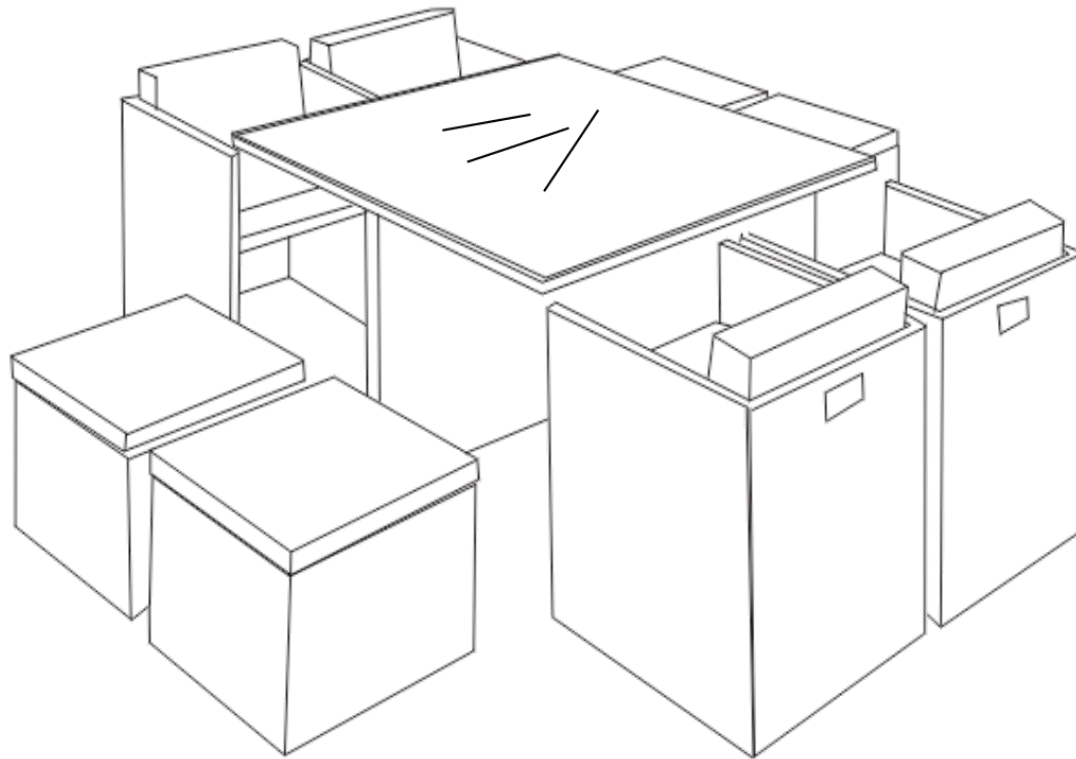
Spot clean using a mild water-free solvent. Only a professional cleaner should undertake a complete overall cleaning.

The use of steam or water-based cleaners may cause excessive shrinking or staining.

## **NOTICE**

---

- \* Please make sure that you have all parts indicated before you begin assembly of this item
- \* This item should be assembled on a soft surface to prevent scratching the finish during assembly y
- \* This item may require periodic tightening



### ProductDimensions:

Chair: W20.9"xD20.9"xH26.4"

Table: W43.3"xD43.3"xH28.3"

Footstool: W15.7"xD15.7"xH13.8"

### Weight Capacity:

Chair: 220lbs

Table: 110lbs

FS:220lbs

## PREPARATION

Before beginning assembly of product, make sure all parts are present. Compare parts with package contents list and hardware contents list. If any part is missing or damaged, do not attempt to assemble the product.

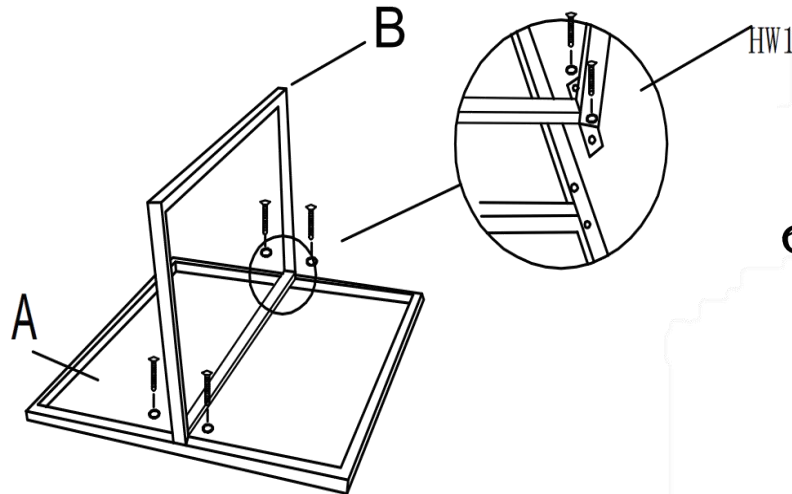
Estimated Assembly Time: 45 minutes.

Tools Required for Assembly (included): Allen Key

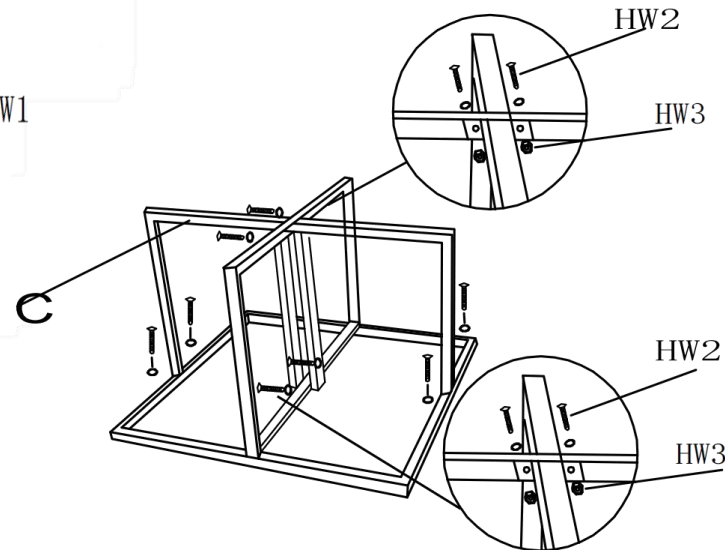
Gradually tighten bolts in a star pattern: tighten one bolt and then the one opposite from it until all bolts are tightened.

### Table Assemble





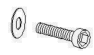
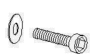

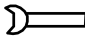

#### STEP 1



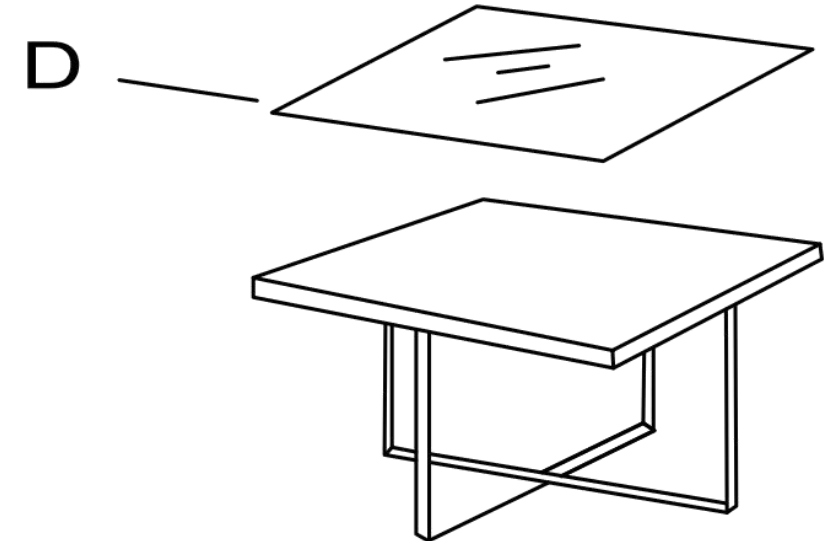
#### STEP 2



## Part List And Hardware List

PIECE	DESCRIPTION	PICTURE	QUANTITY
A	Table Top		1
B	Big leg		1
C	Small leg		2
D	Glass		1
HW1	Bolt and washer M6x20		8
HW2	Bolt and washer M6x50		4
HW3	Nut		4
HW4	Wrench		1
HW5	Allenkey		1

#### STEP 3



## PREPARATION

Before beginning assembly of product, make sure all parts are present. Compare parts with package contents list and hardware contents list. If any part is missing or damaged, do not attempt to assemble the product.





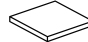



Estimated Assembly Time: 45 minutes.

Tools Required for Assembly (included): Allen Key

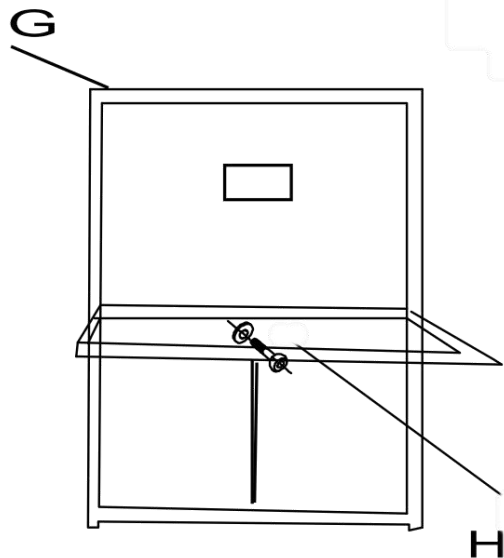
Gradually tighten bolts in a star pattern: tighten one bolt and then the one opposite from it until all bolts are tightened.

### Chair Assemble

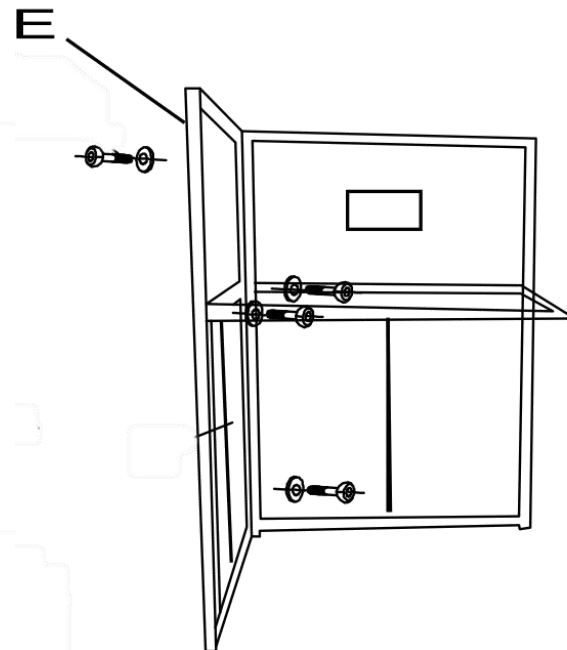
## Part List And Hardware List

PIECE	DESCRIPTION	PICTURE	QUANTITY
E	Left Side board		4
F	Right side board		4
G	back board		4
H	seat board		4
I	seat cushion		4
J	Back cushion		4
HW5	Allenkey		1
HW6	Bolt and washer M6x40		36

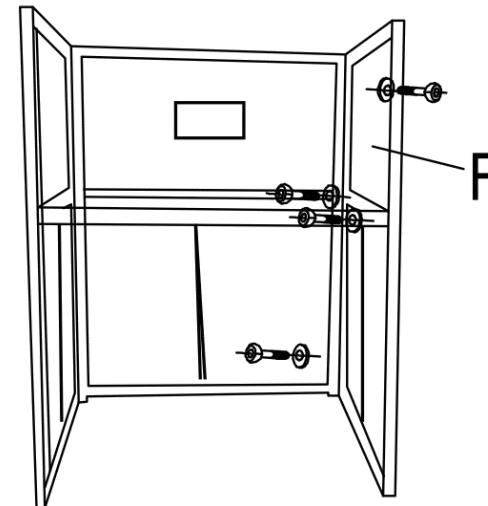
STEP 1



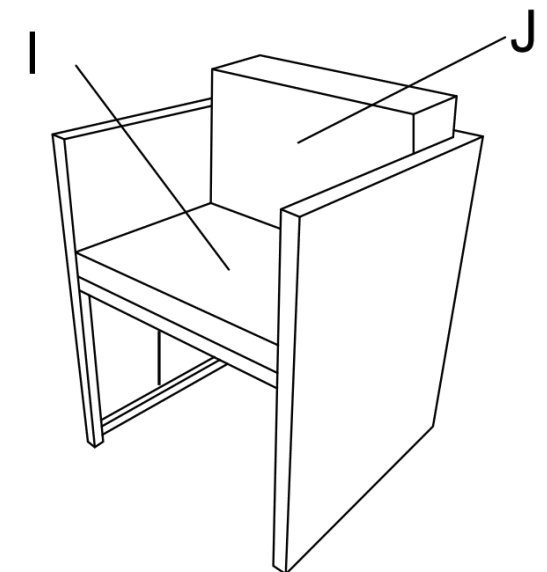
STEP 2



STEP 3



STEP 4



## PREPARATION

Before beginning assembly of product, make sure all parts are present. Compare parts with package contents list and hardware contents list. If any part is missing or damaged, do not attempt to assemble the product.

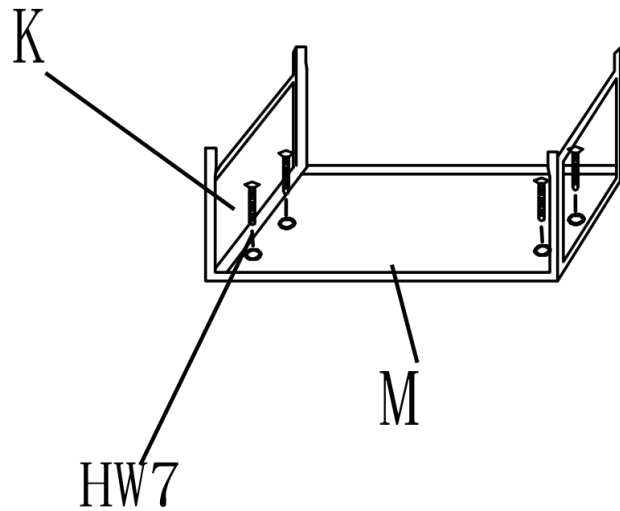
Estimated Assembly Time: 45 minutes.

Tools Required for Assembly (included): Allen Key

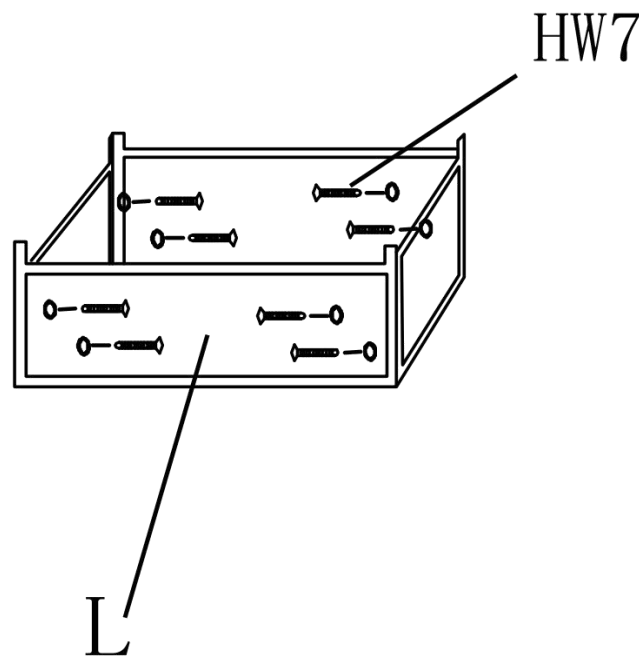
Gradually tighten bolts in a star pattern: tighten one bolt and then the one opposite from it until all bolts are tightened.

### Footstool Assemble

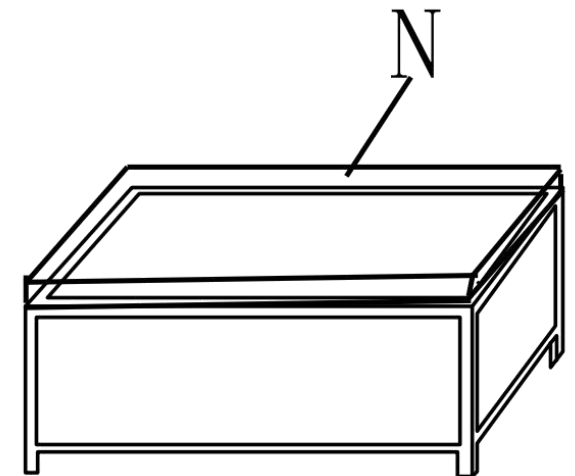
STEP 1



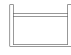


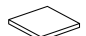


STEP 2



STEP 3



## Part List And Hardware List

PIECE	DESCRIPTION	PICTURE	QUANTITY
K	FS Leg		8
L	side board		8
M	FS Top		4
N	cushion		4
HW5	Allenkey		1
HW7	Bolt and washer M6x30		48