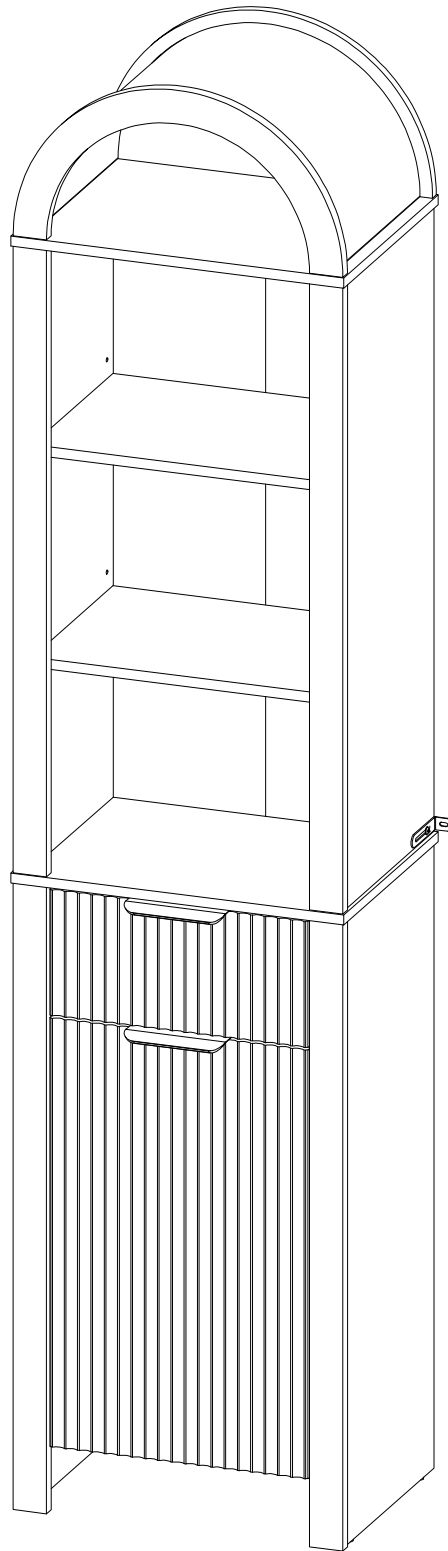
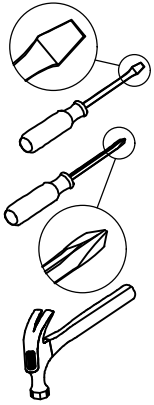


SKU:NYX08-241



As this item contains many parts, please read the installation instruction carefully before installation . Please use tools properly and carefully.

Before You Start



- ✓ Read through each step carefully and follow the proper order
- ✓ Separate and count all your parts and hardware
- ✓ Give yourself enough room for the assembly process
- ✓ Have the following tools: Flat Head Screwdriver, #2 Phillips Head Screwdriver and Hammer
- ✓ Caution: If using a power drill or power screwdriver for screwing, please be aware of to slow down and stop when screw is tight. Failure to do so may result in stripping the screw. (Assembly speed can be increased by using electric screwdriver)

Helpful Hints

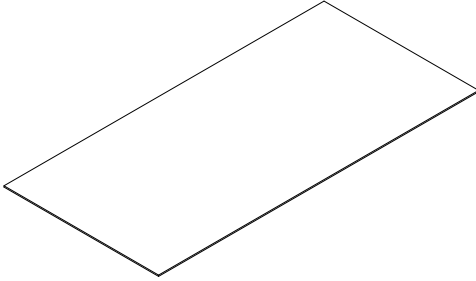
PEOPLE NEEDED FOR ASSEMBLY: 1-2

- Open your item in the area you plan to keep it to avoid excessive heavy lifting.
- Identify, sort and count the parts before attempting assembly.
- Compression dowels are lightly tapped in with a hammer.
- Slides are labeled with an **R** (right) and **L** (left) for proper placement.
- Make sure to always face the point on the top of the Cam Lock towards the outer edge.
- If there is a back panel in the package, please install it to make sure your unit is complete and sturdy.
- Please fix all the screws provided for the back panel which can enhance product stability. If it is difficult to fix it when tightening, it can be fixed with the help of a hammer and then tightened.
- Do NOT use harsh chemicals or abrasive cleaners on this item.
- Never push, pull, or drag your furniture.



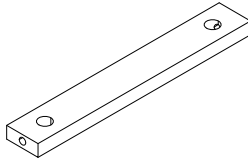
Board Identification

Not actual size



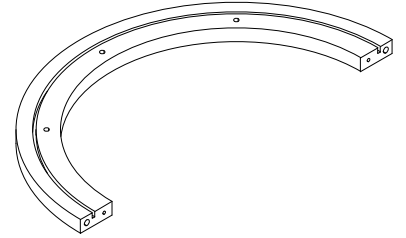
A

TOP
Qty:1



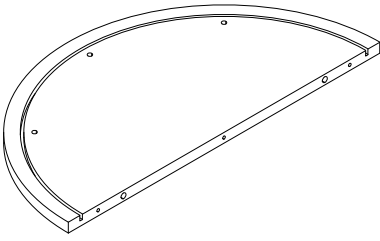
B

RAIL
Qty:3



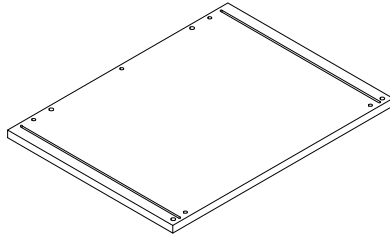
C

TOP MOLDING ,FRONT
Qty:1



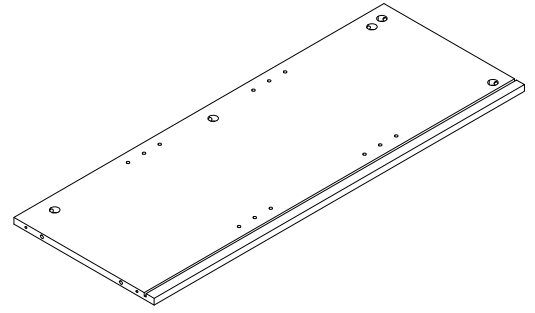
D

UPPER BACK
Qty:1



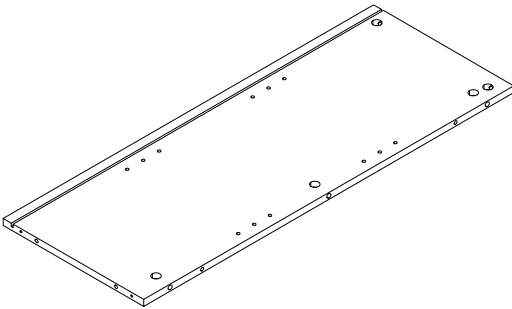
E

FIXED SHELF
Qty:1



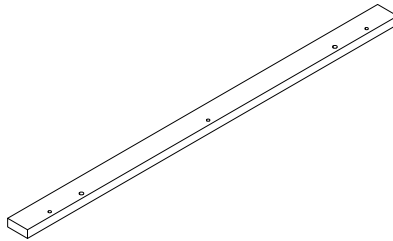
F

UPPER LEFT SIDE PANEL
Qty:1



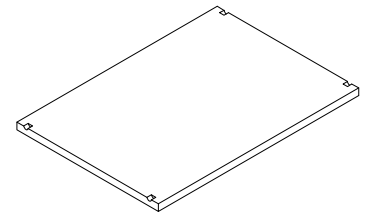
G

UPPER RIGHT SIDE PANEL
Qty:1



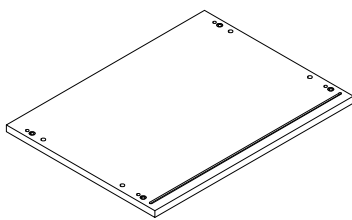
H

RAIL
Qty:4



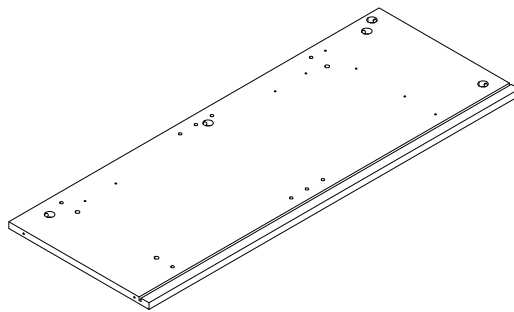
I

ADJUSTABLE SHELF
Qty:3



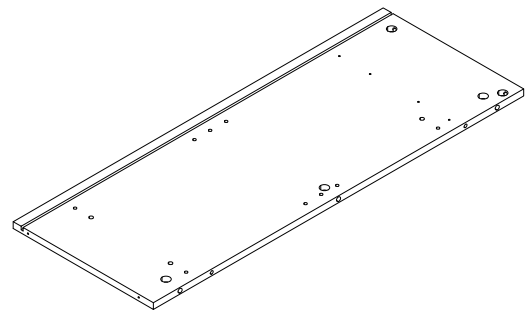
J

MIDDLE PANEL
Qty:1



K

LOWER LEFT SIDE PANEL
Qty:1

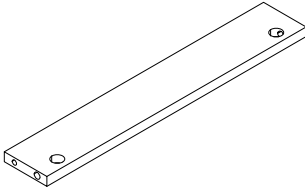


L

LOWER RIGHT SIDE PANEL
Qty:1

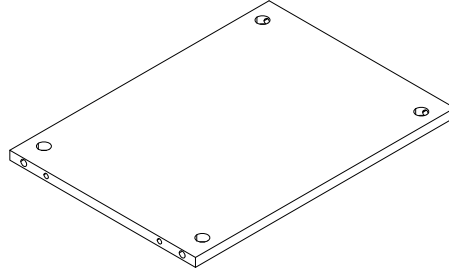
Board Identification

Not actual size



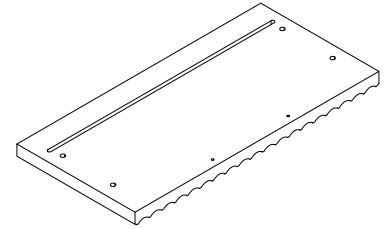
M

FRONT RAIL
Qty:1



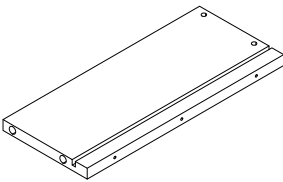
N

BOTTOM
Qty:1



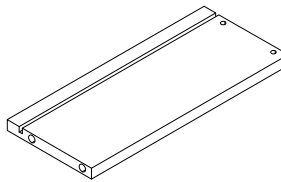
O

DRAWER FRONT
Qty:1



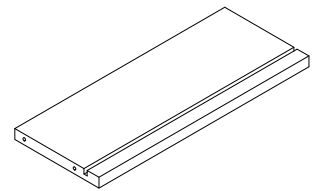
P

DRAWER LEFT SIDE
Qty:1



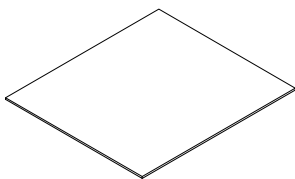
Q

DRAWER RIGHT SIDE
Qty:1



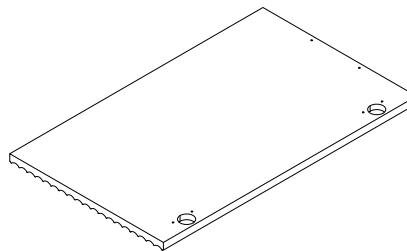
R

DRAWER BACK
Qty:1



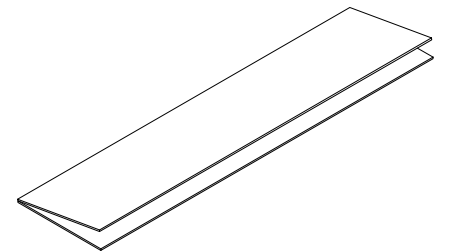
S

DRAWER BOTTOM
Qty:1



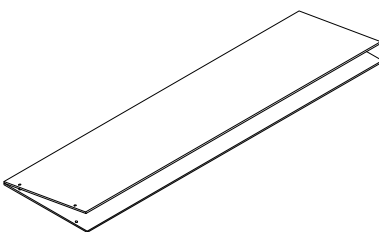
T

DOOR
Qty:1



U

UPPER BACK PANEL
Qty:1

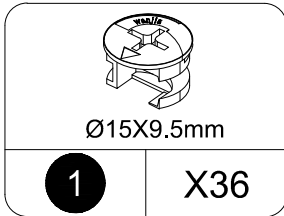


V

LOWER BACK PANEL
Qty:1

Part List

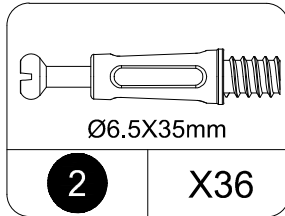
Not actual size



1

X36

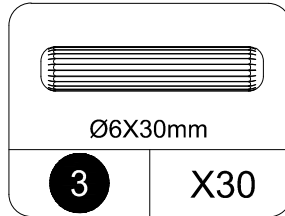
CAM LOCK
spare:2



2

X36

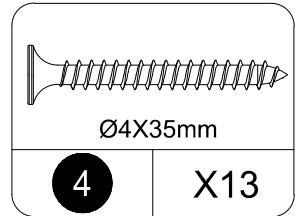
CAM BOLT
spare:2



3

X30

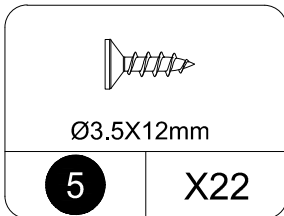
WOODEN DOWEL
spare:3



4

X13

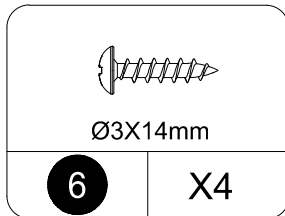
SCREW
spare:1



5

X22

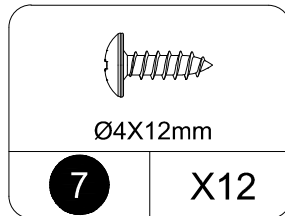
SCREW
spare:1



6

X4

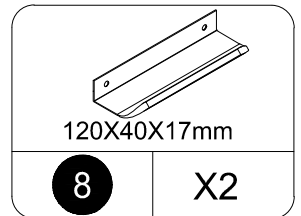
SCREW
spare:1



7

X12

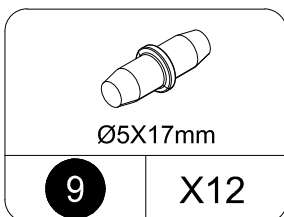
SCREW
spare:1



8

X2

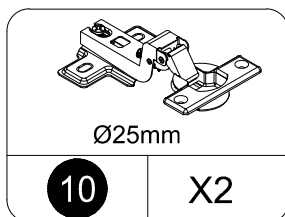
HANDLE



9

X12

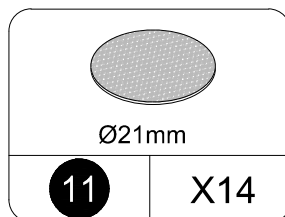
SHELF SUPPORT
spare:1



10

X2

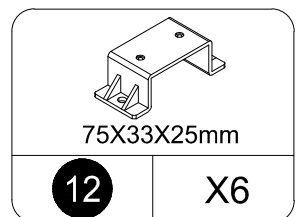
HINGE



11

X14

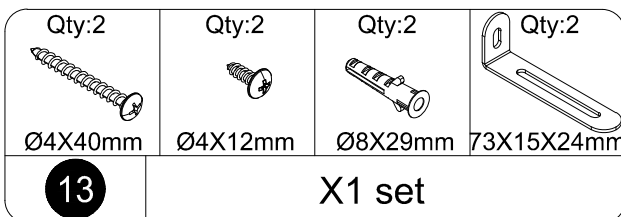
HOLE STICKERS
spare:1



12

X6

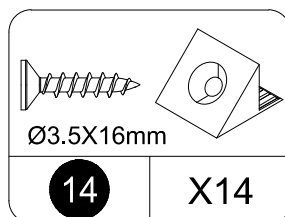
U-BRACKET



13

X1 set

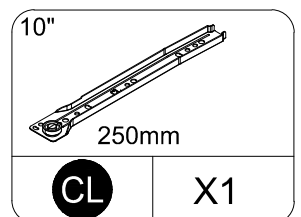
ANTI-TIPPING HARDWARE



14

X14

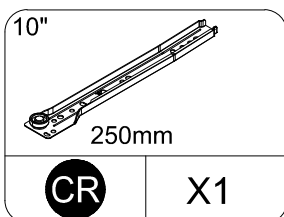
BACKBOARD BUCKLE



CL

X1

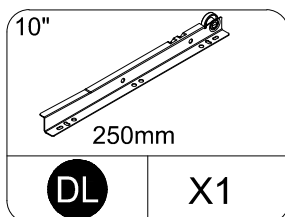
LEFT CABINET MEMBER



CR

X1

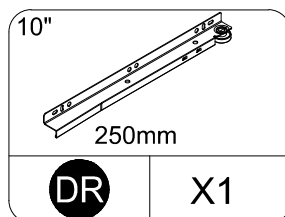
RIGHT CABINET MEMBER



DL

X1

LEFT DRAWER RUNNER



DR

X1

RIGHT DRAWER RUNNER

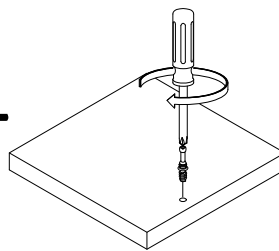
Part List

Not actual size

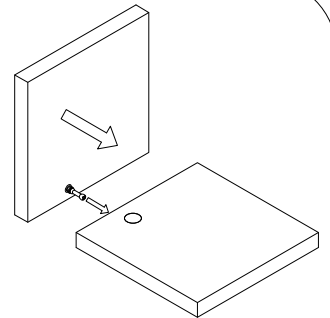
Cam Lock Fastening System

Insert the cam bolt into the hole first, then insert the cam lock and lock it.

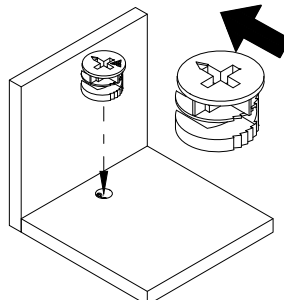
1



2

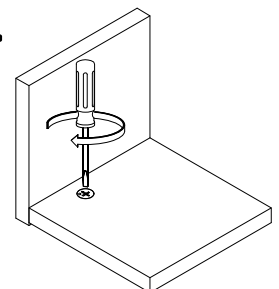


3



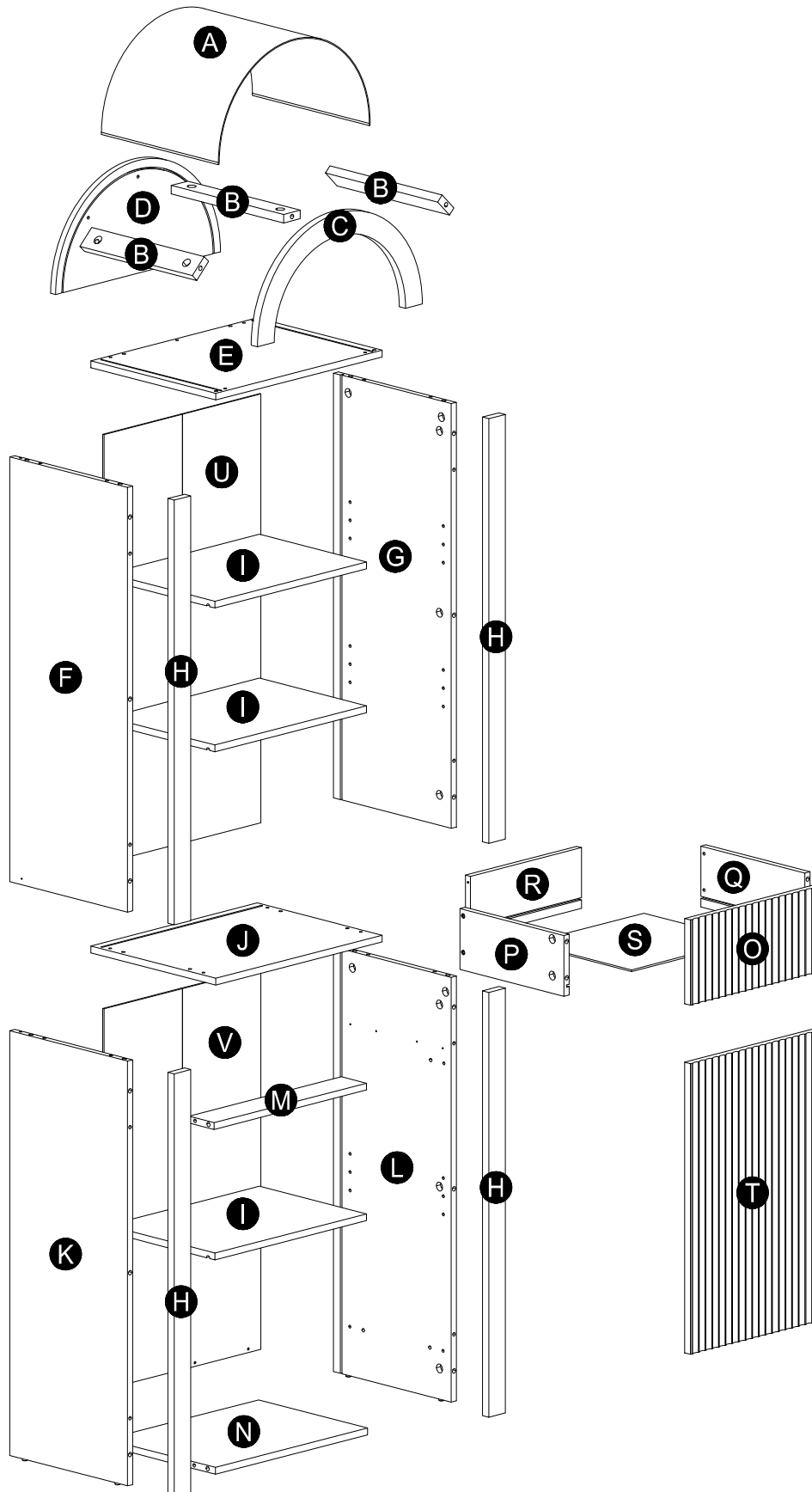
The opening must point toward the edge of the board

4

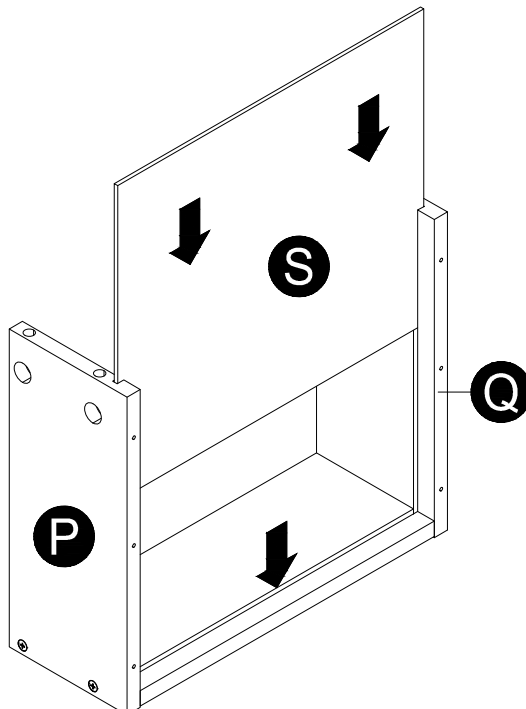
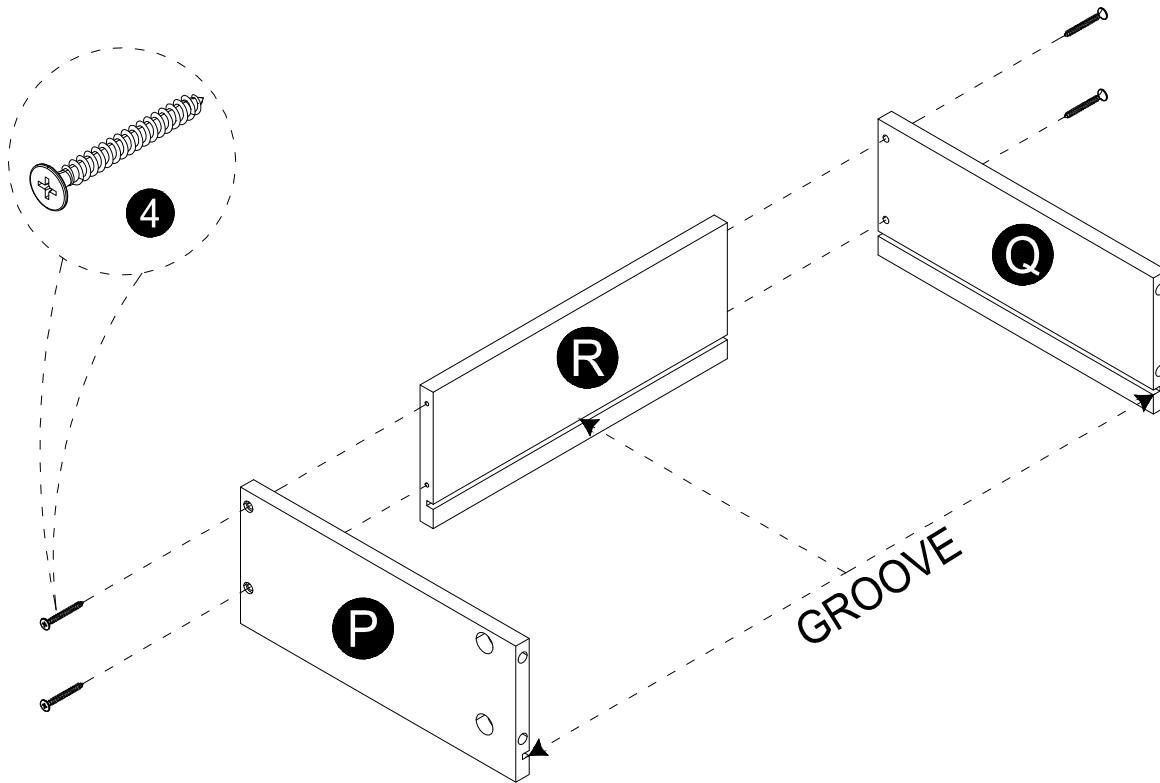
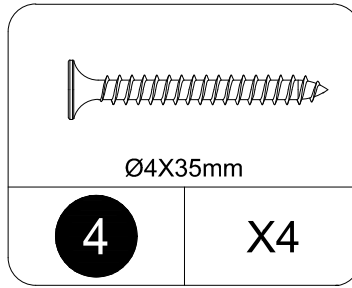
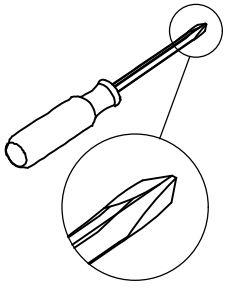


Board Identification

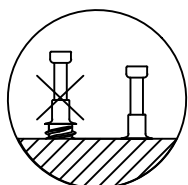
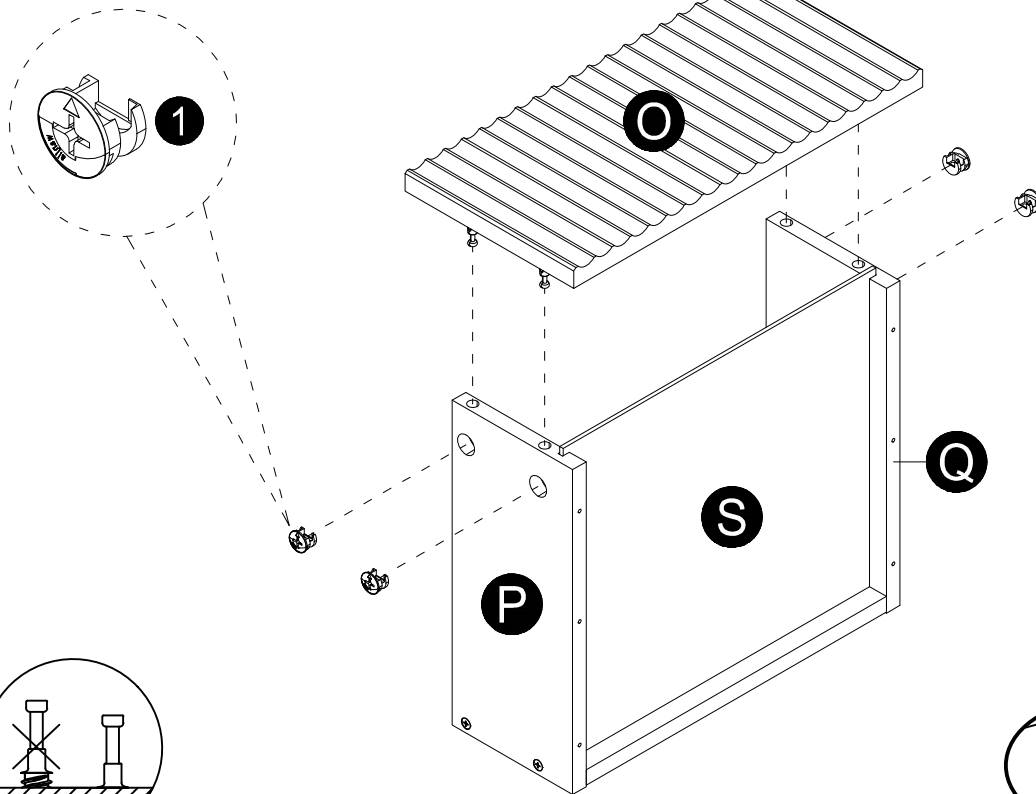
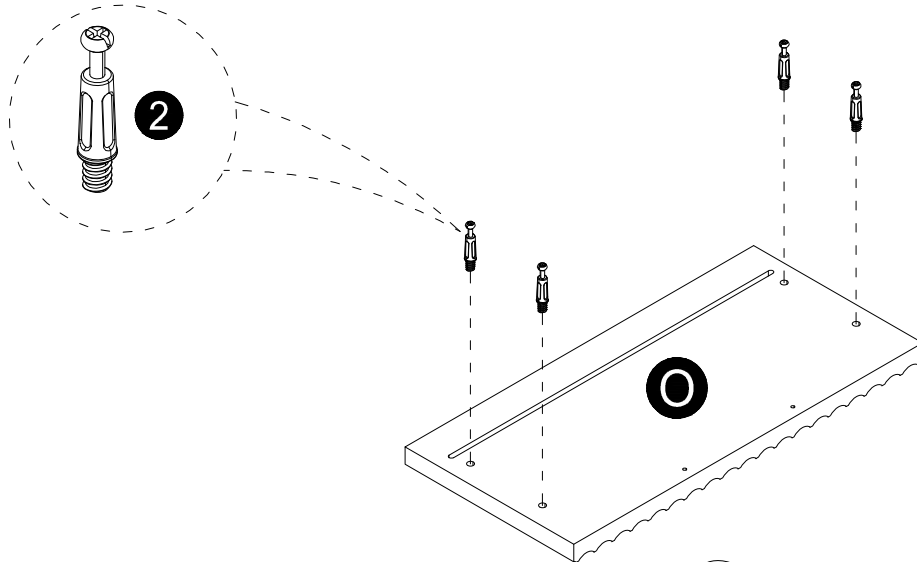
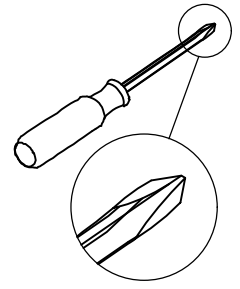
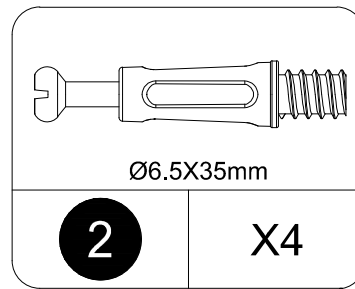
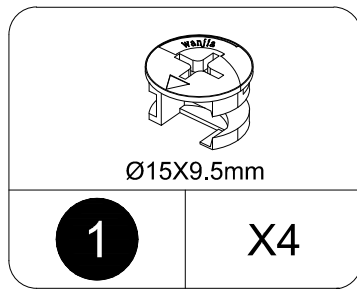
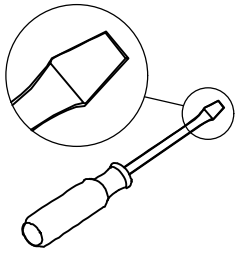
Not actual size



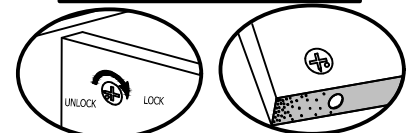
STEP 1



STEP2

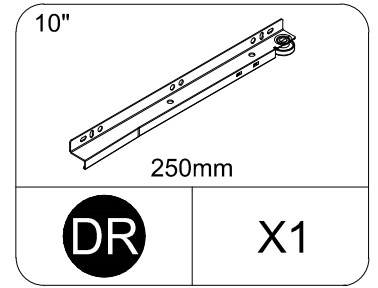
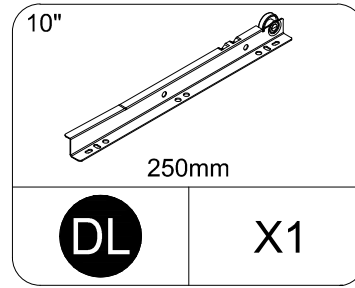
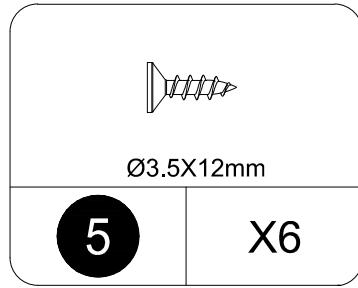
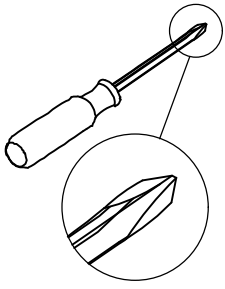


Insert the cam bolt into the hole first, then insert the cam lock and lock it.

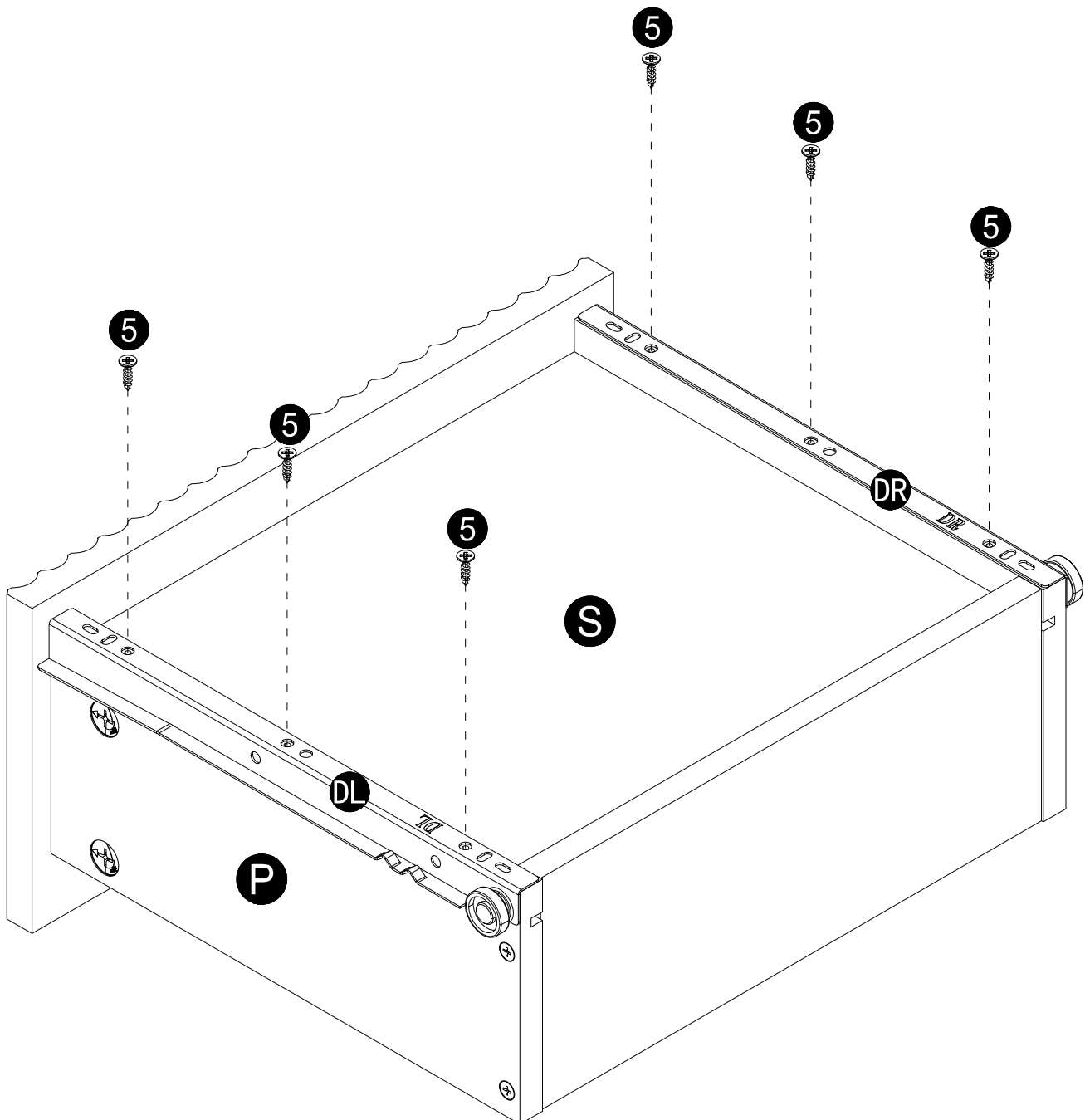


Proper orientation of CAM LOCK

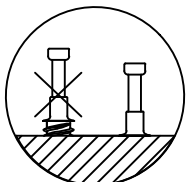
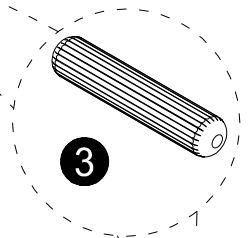
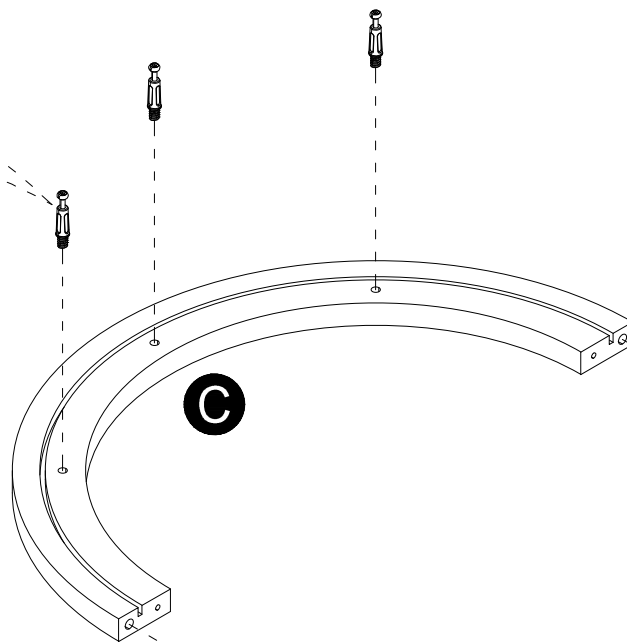
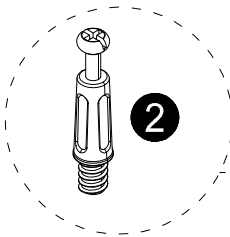
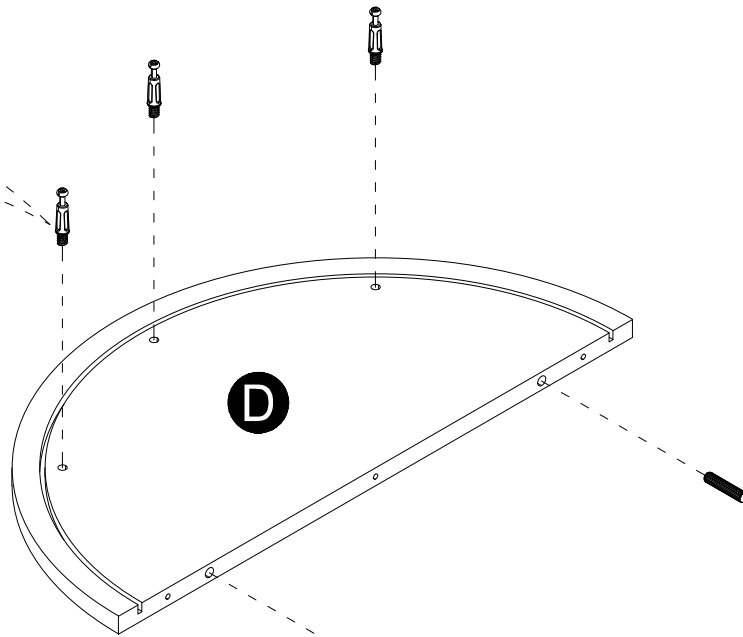
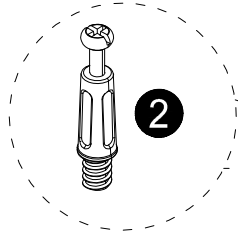
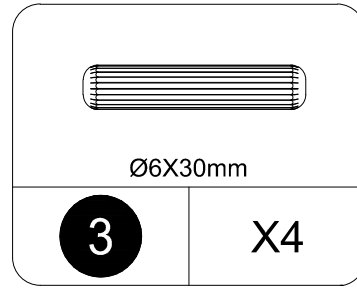
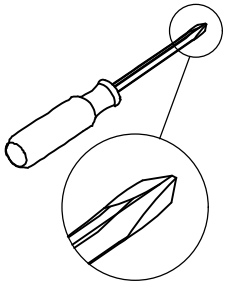
STEP3



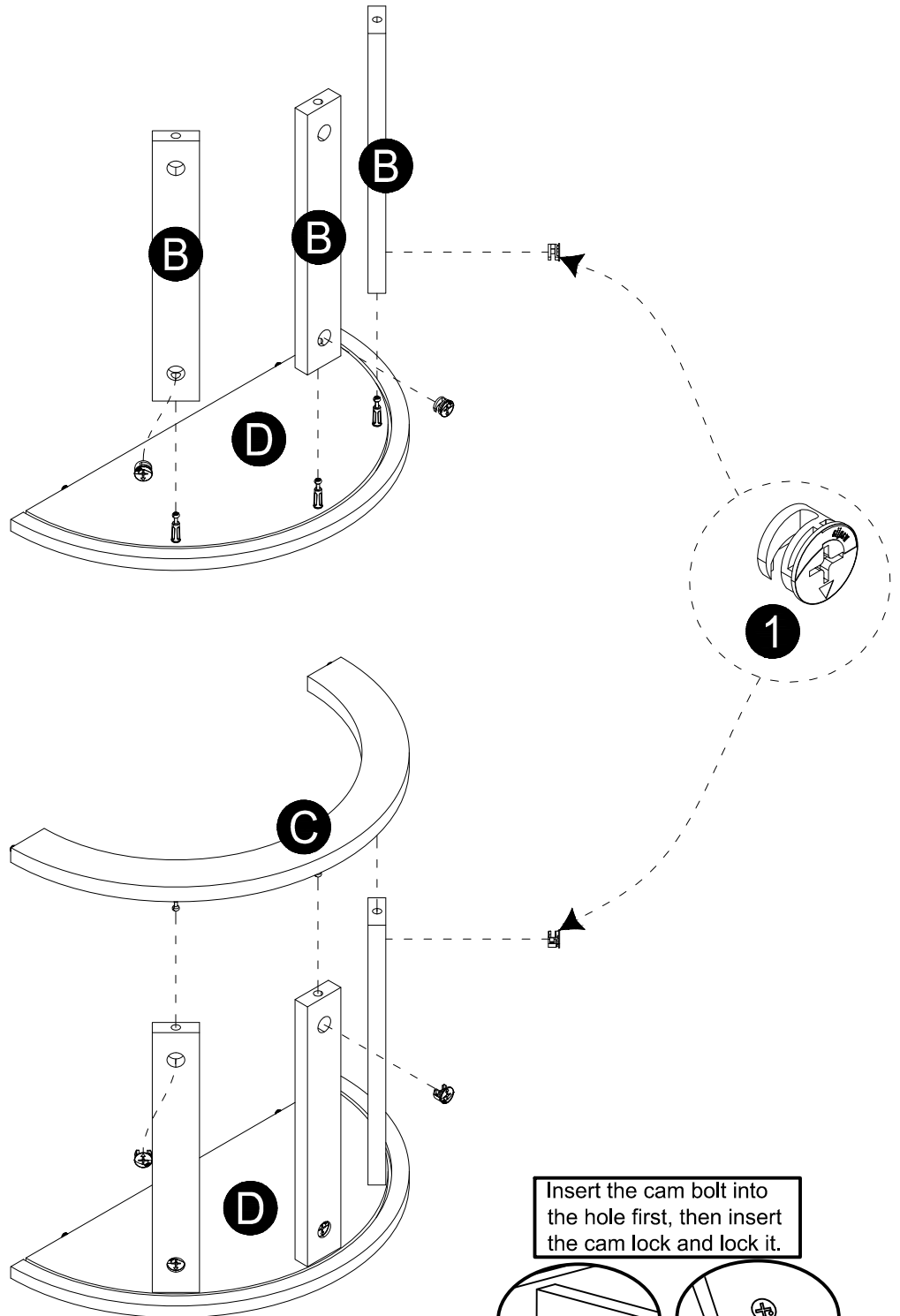
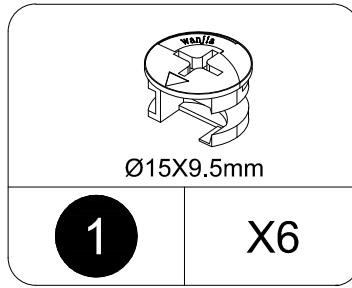
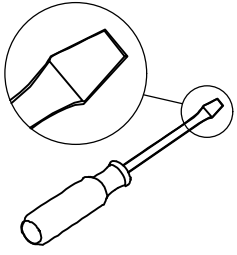
Note the DL or DR stamped label on the slider!



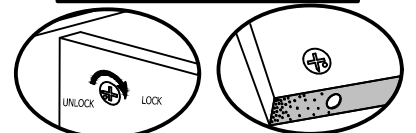
STEP 4



STEP5

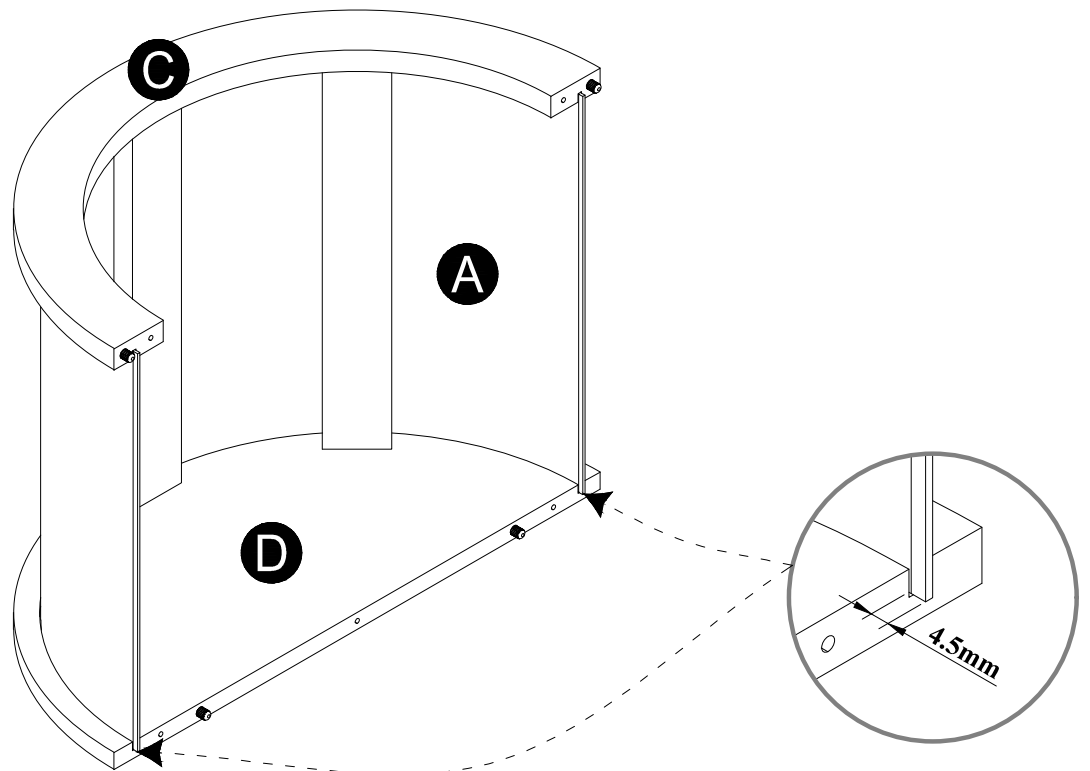
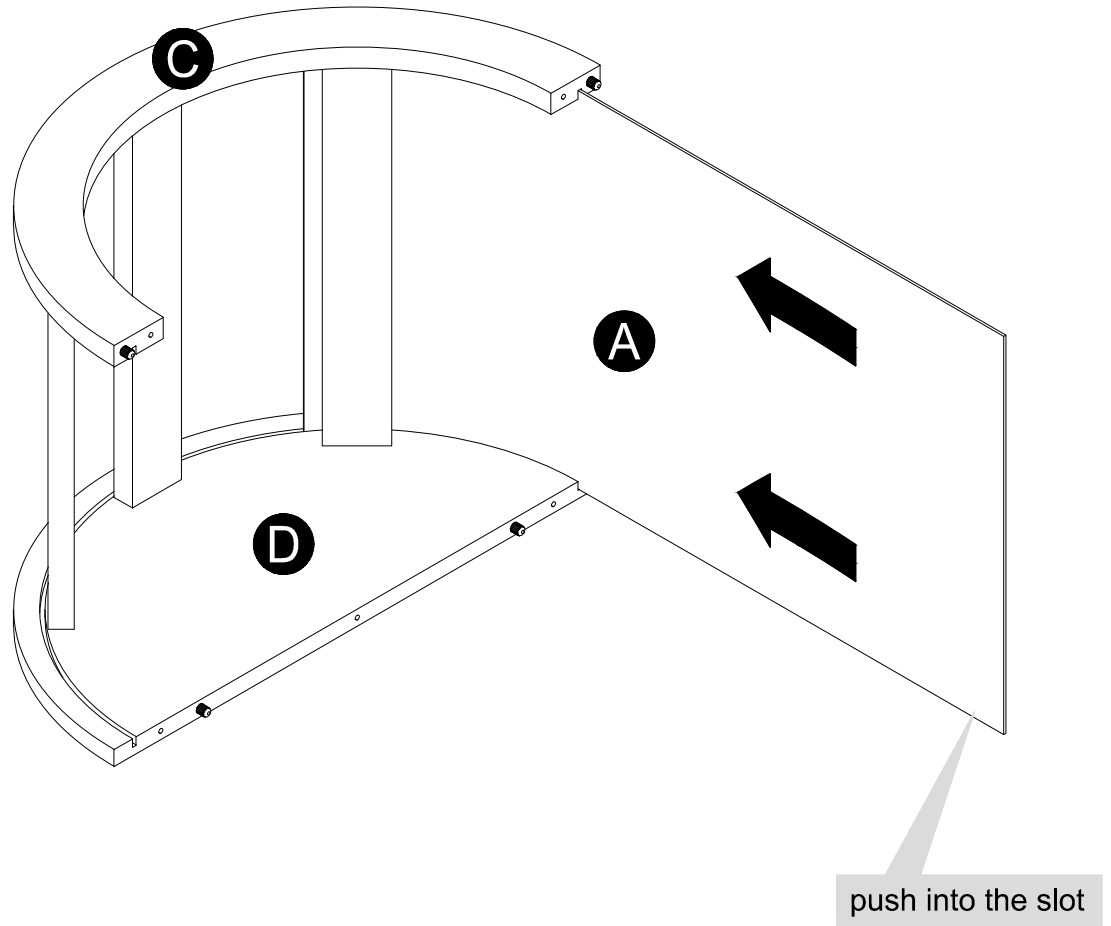


Insert the cam bolt into the hole first, then insert the cam lock and lock it.

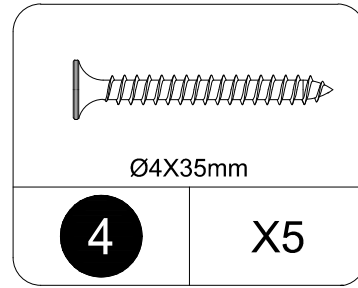
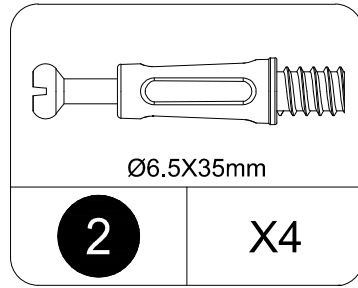
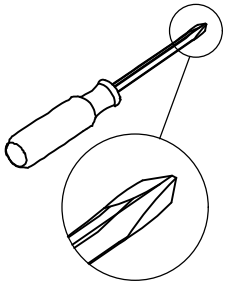


Proper orientation of CAM LOCK

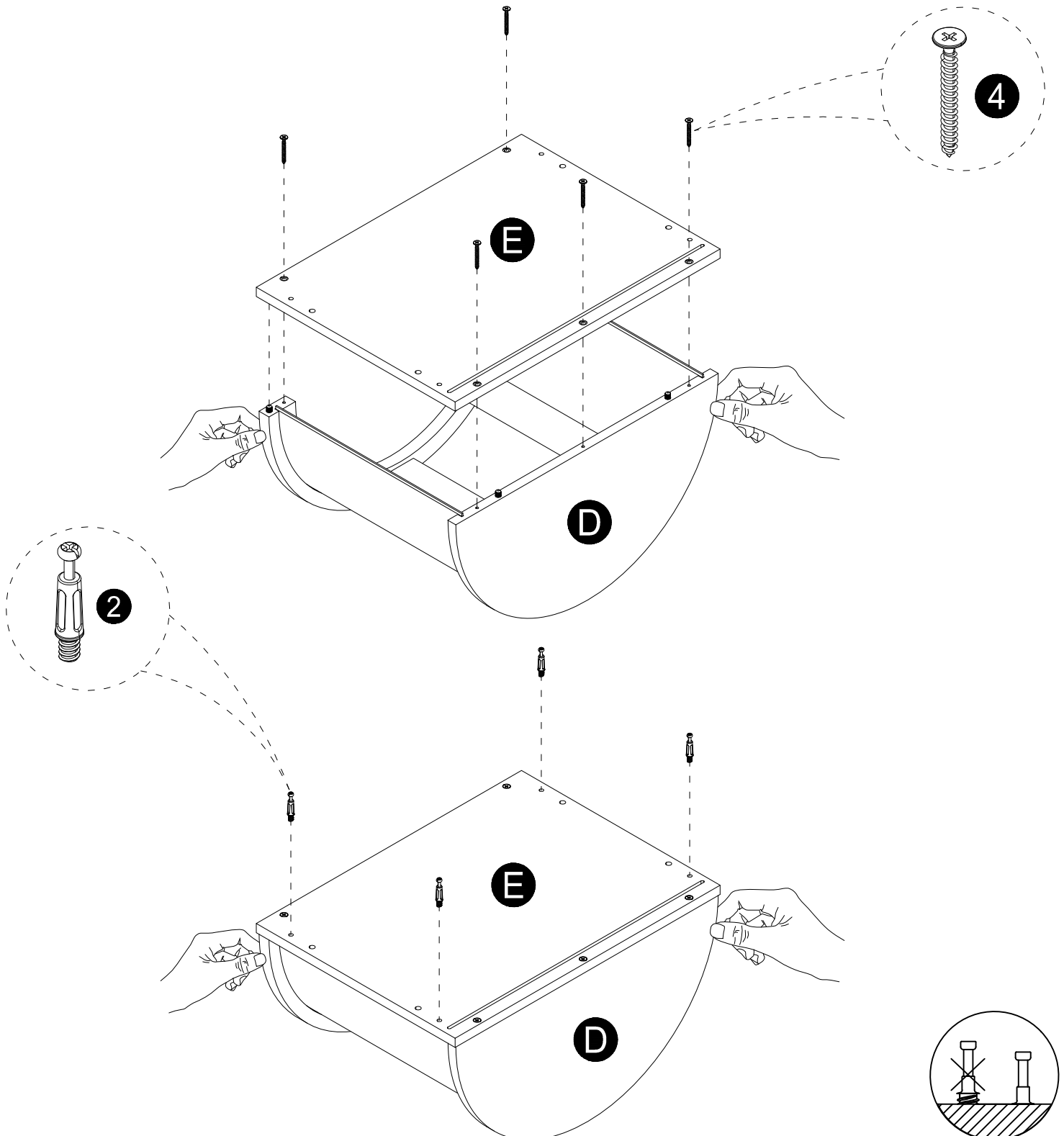
STEP 6



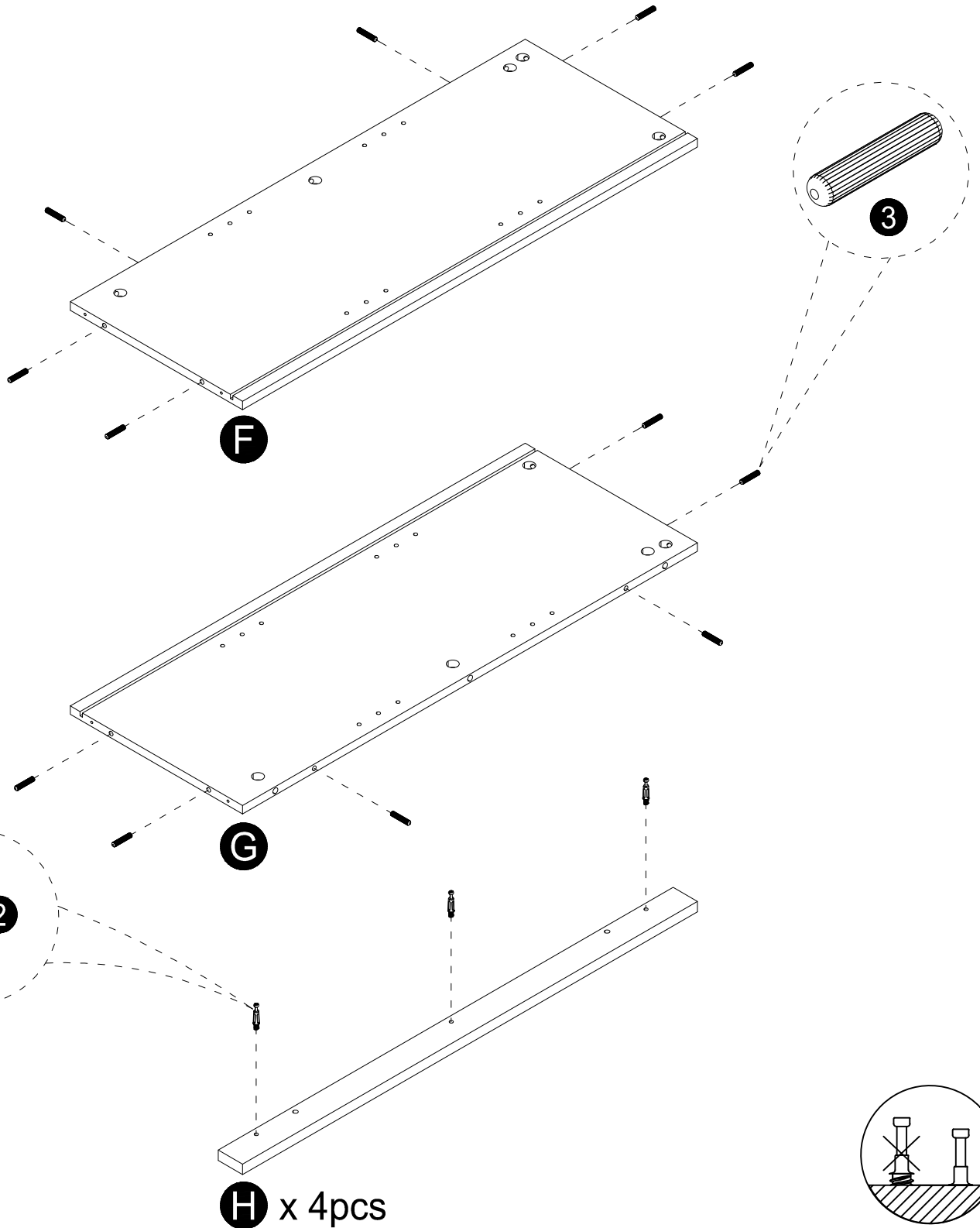
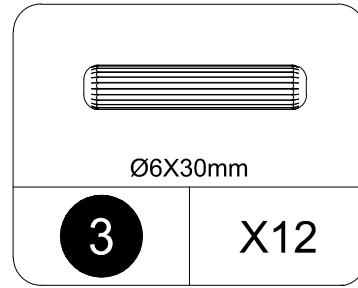
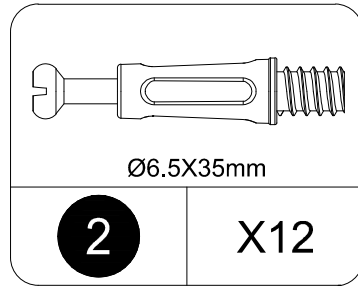
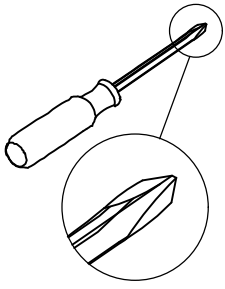
STEP 7



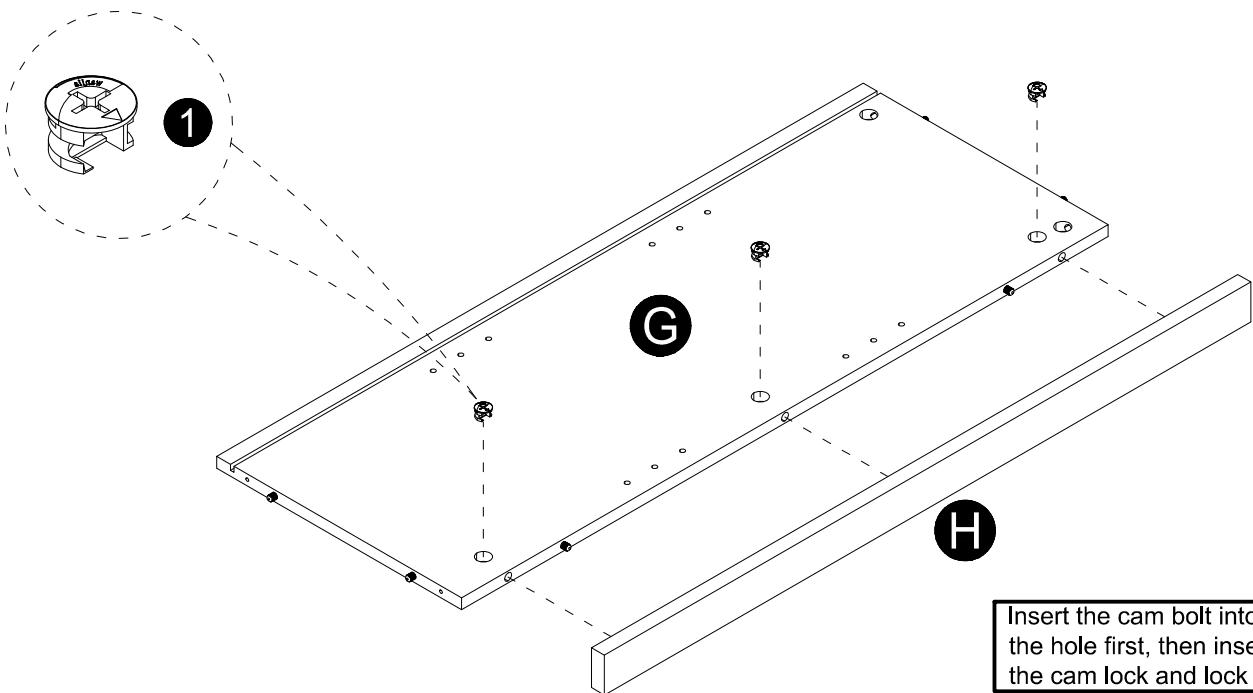
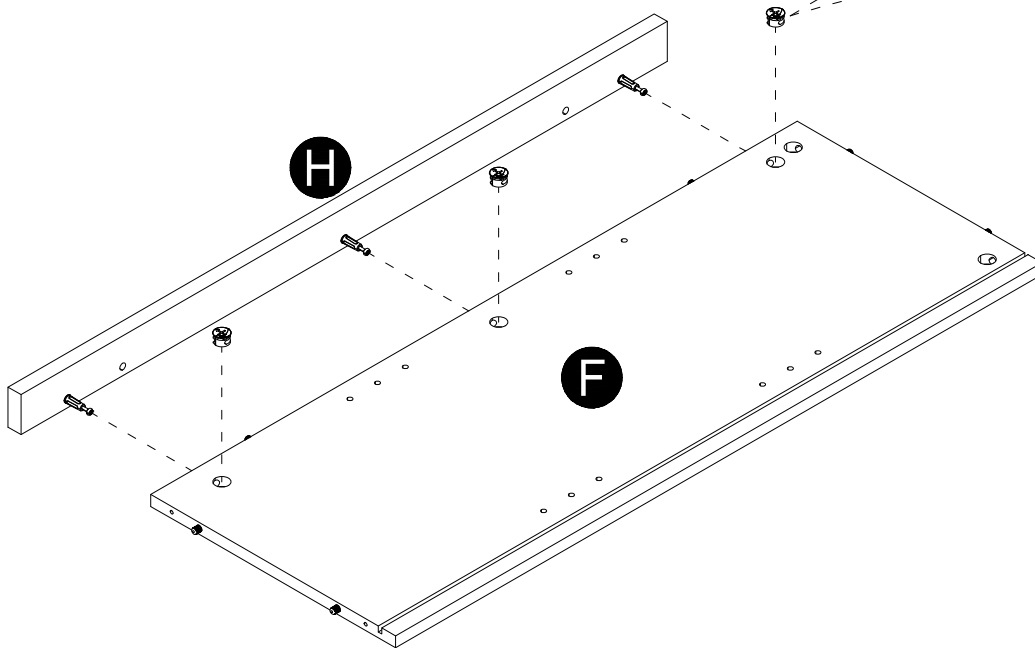
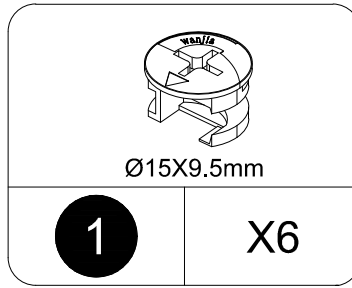
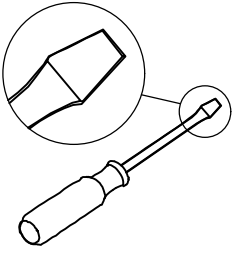
THIS STEP REQUIRES 2 PEOPLE



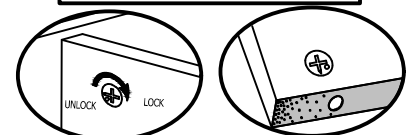
STEP 8



STEP9

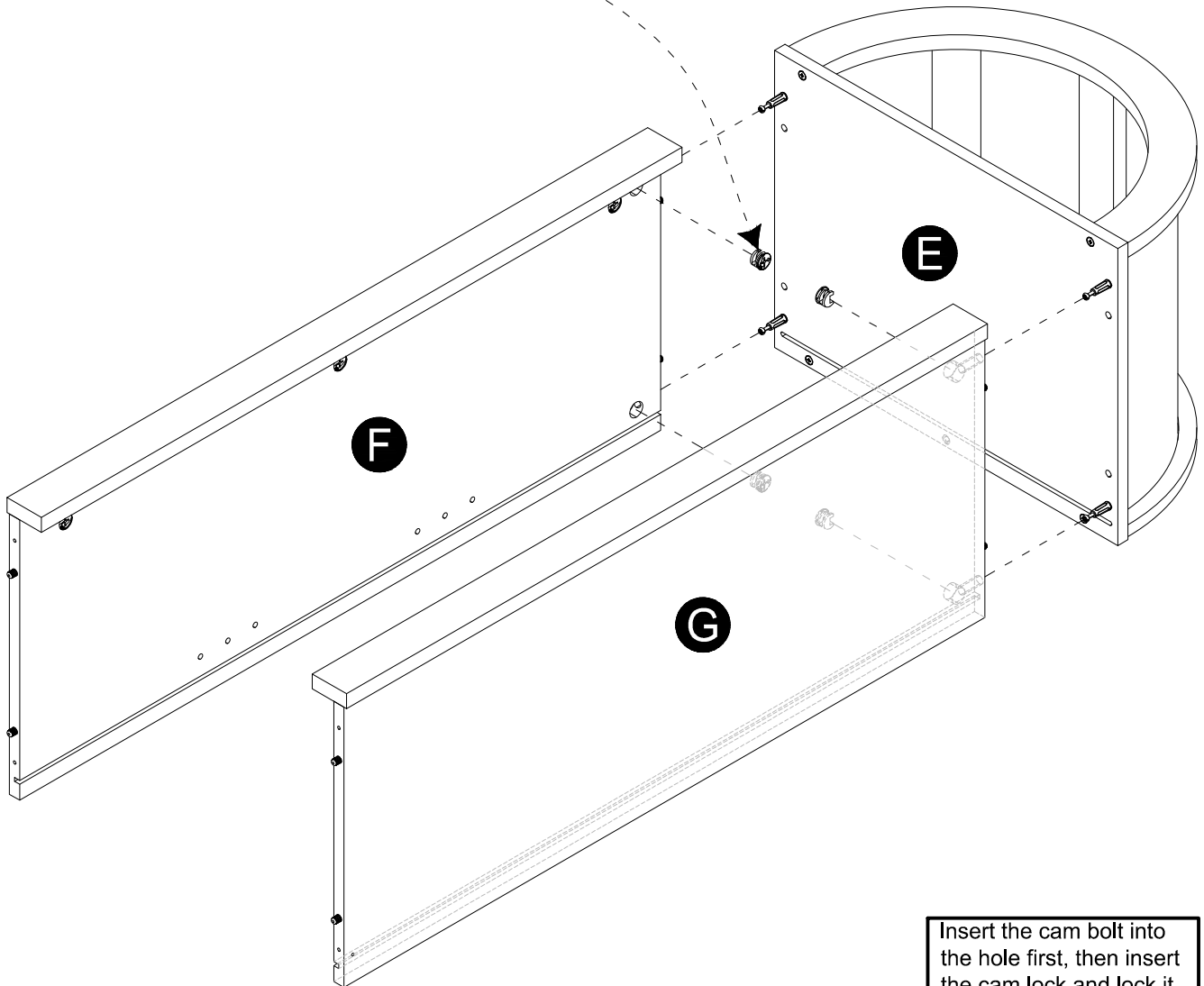
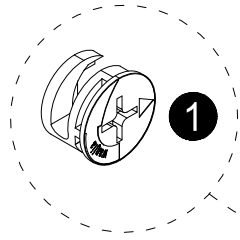
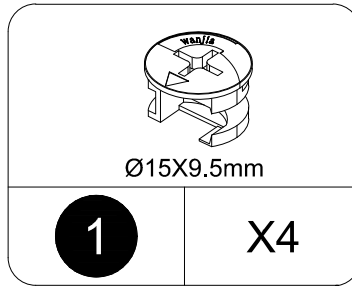
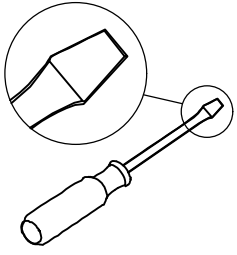


Insert the cam bolt into the hole first, then insert the cam lock and lock it.

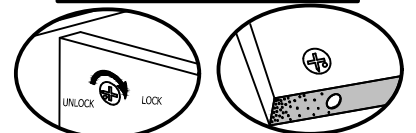


Proper orientation of CAM LOCK

STEP10



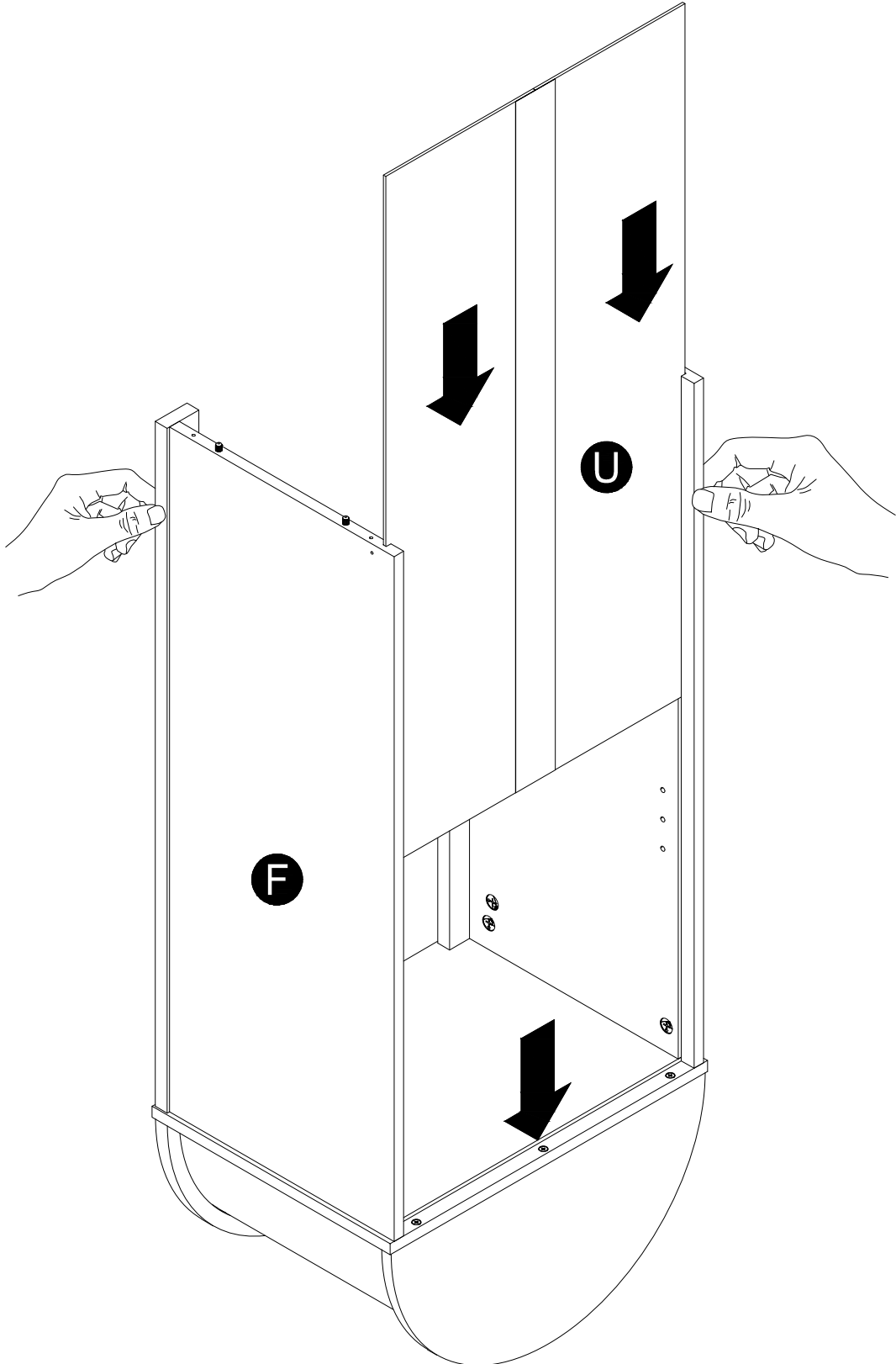
Insert the cam bolt into the hole first, then insert the cam lock and lock it.



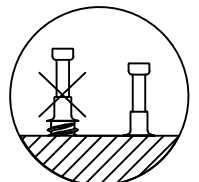
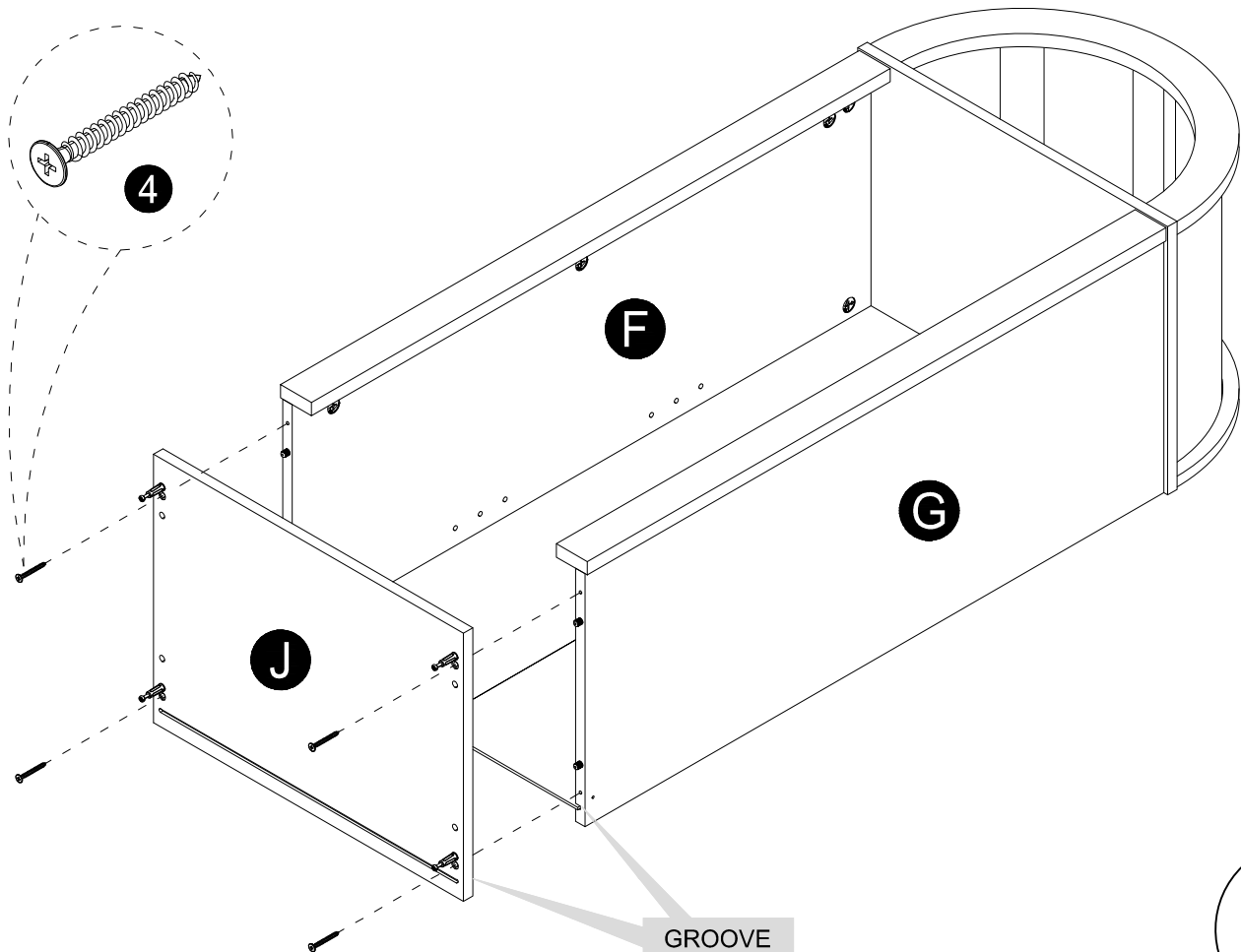
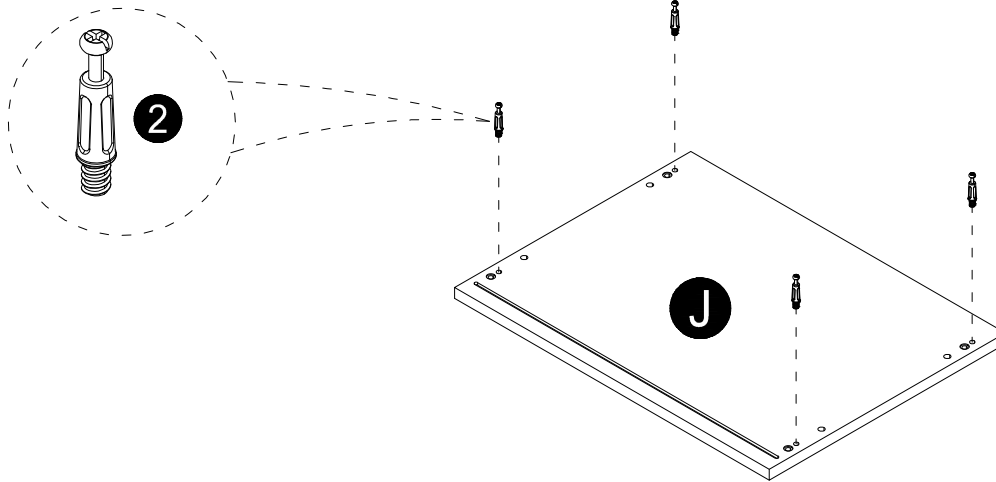
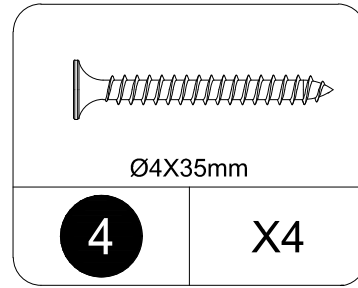
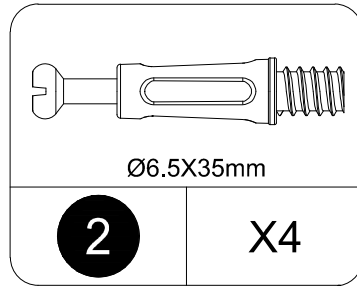
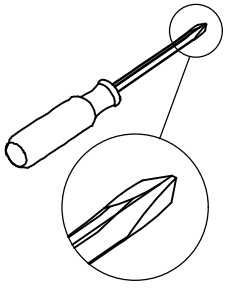
Proper orientation of CAM LOCK

STEP11

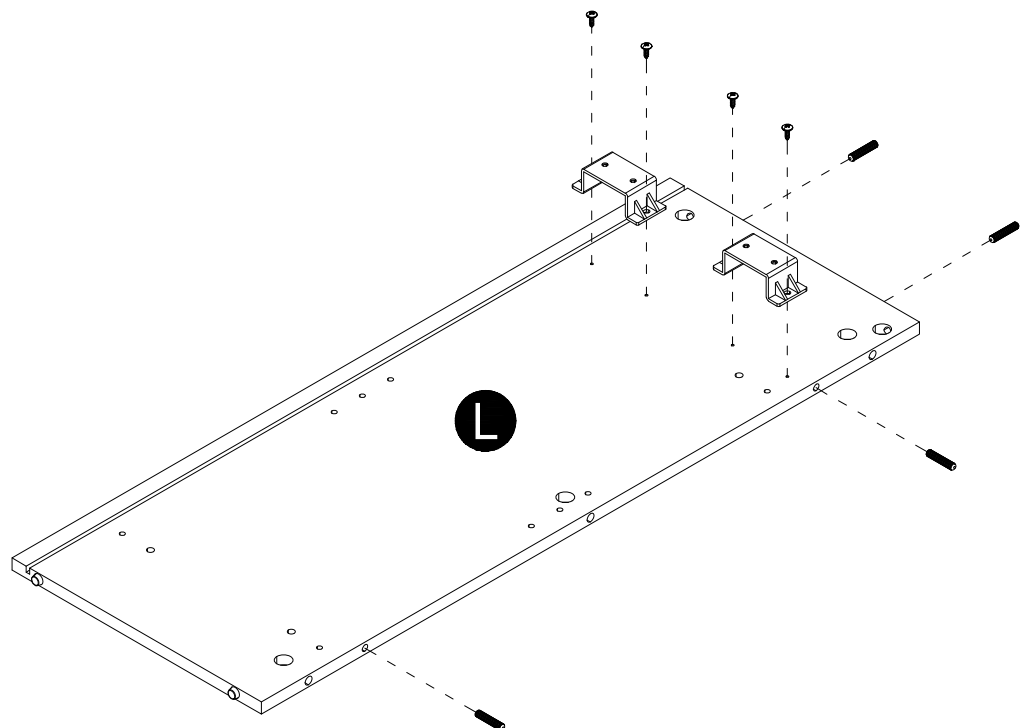
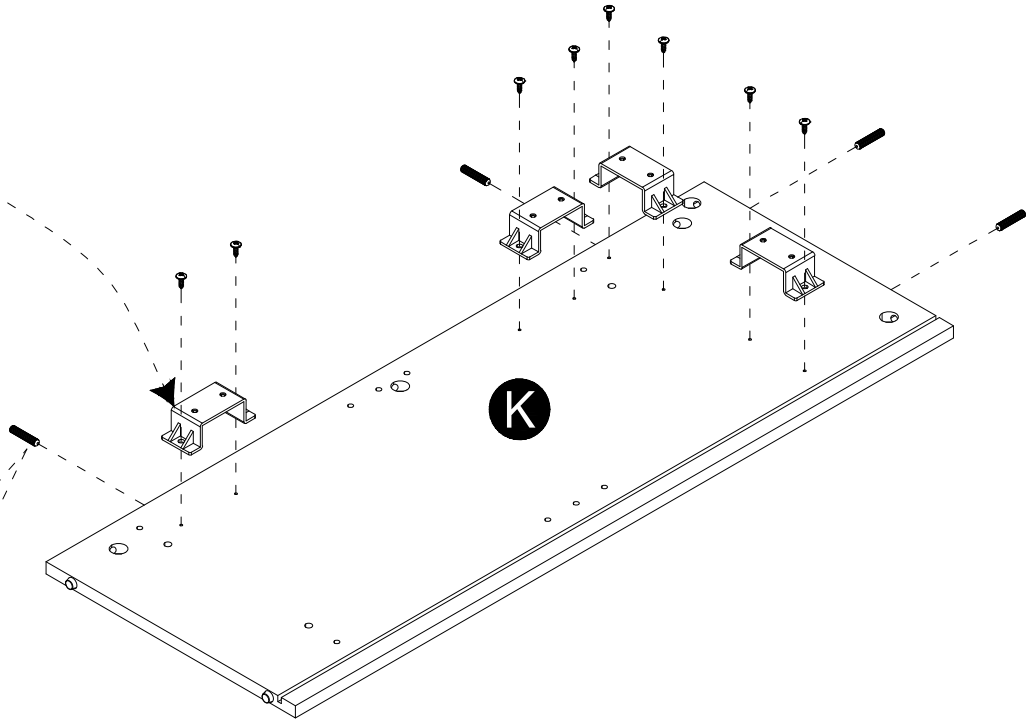
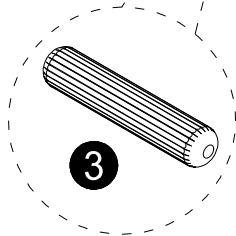
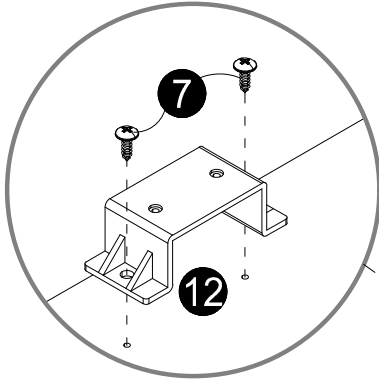
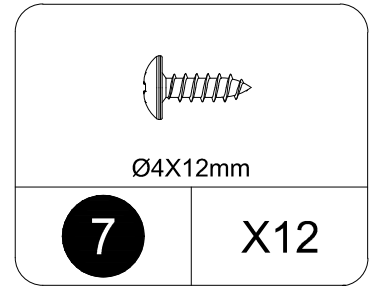
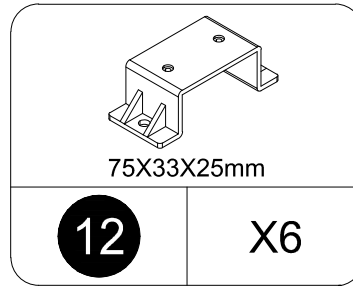
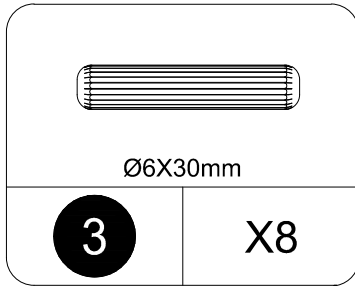
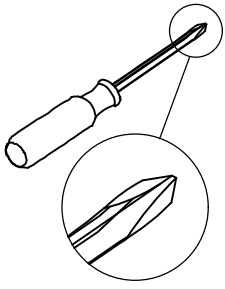
THIS STEP REQUIRES 2 PEOPLE



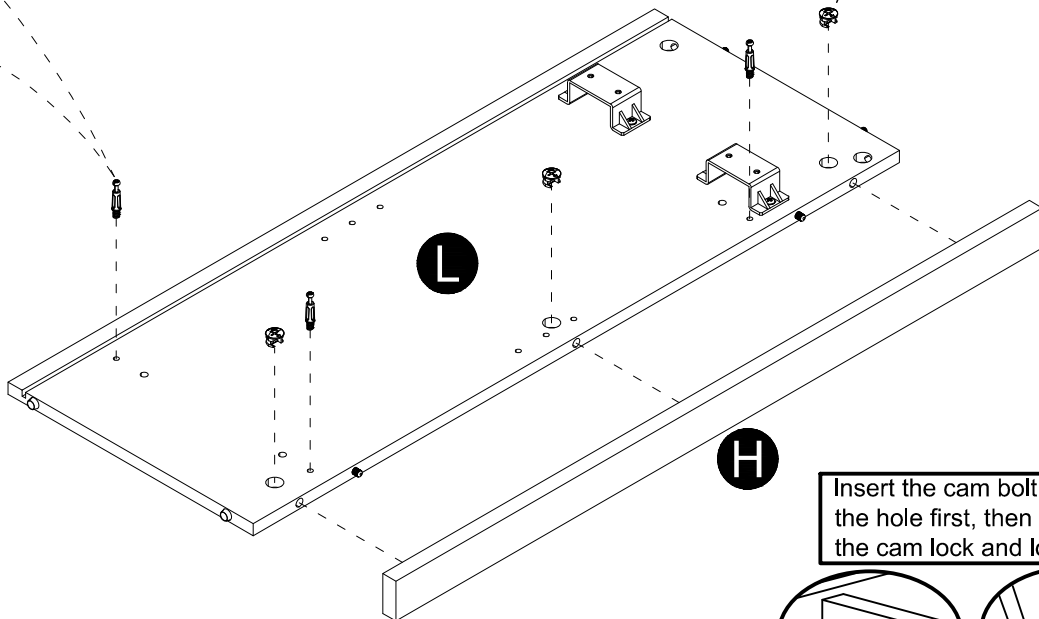
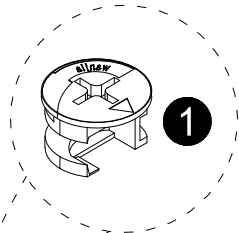
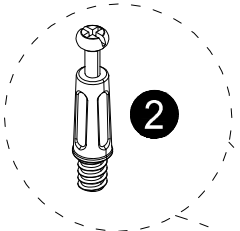
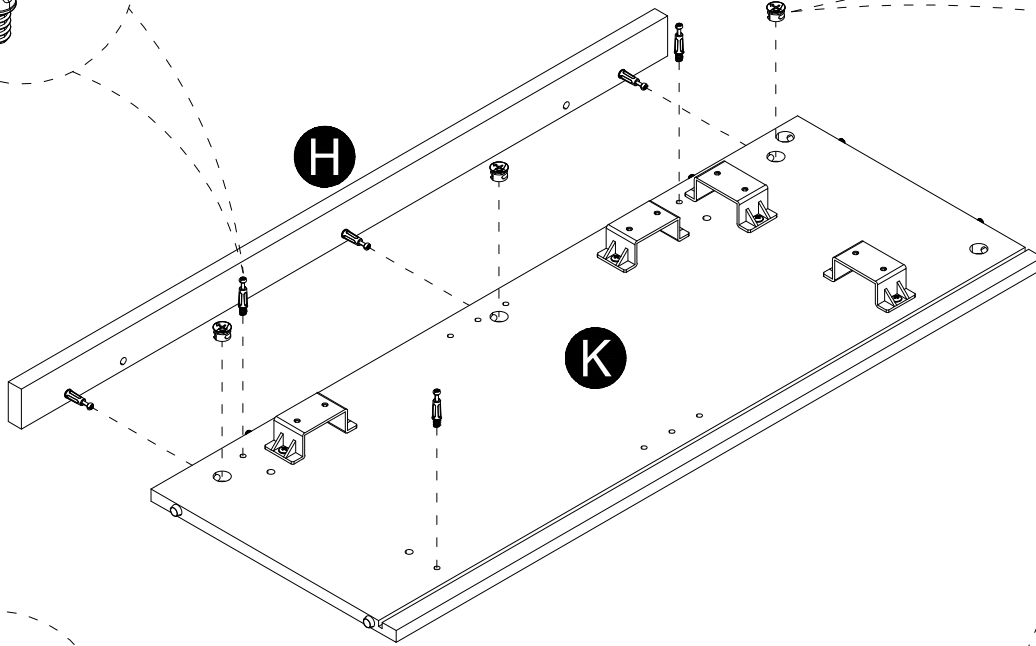
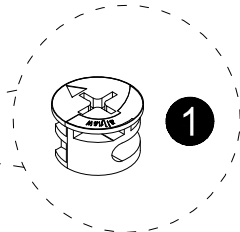
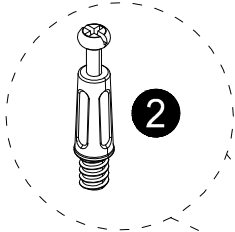
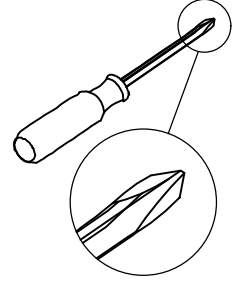
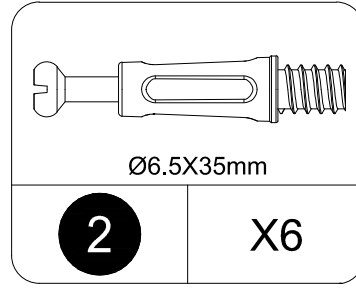
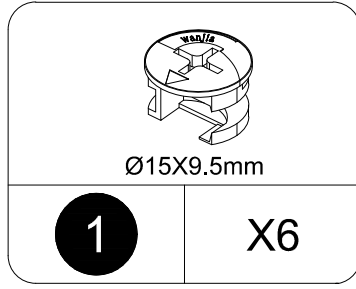
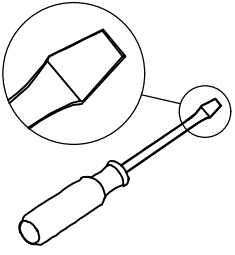
STEP12



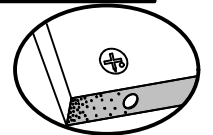
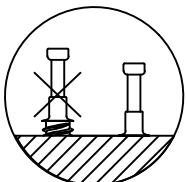
STEP13



STEP14

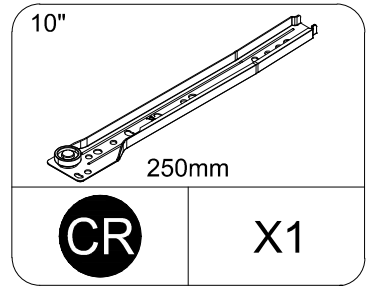
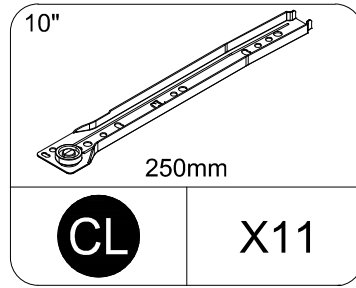
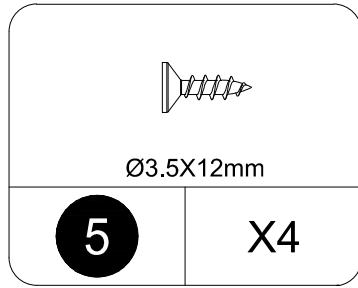
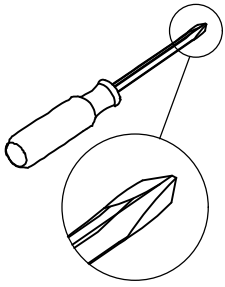


Insert the cam bolt into the hole first, then insert the cam lock and lock it.

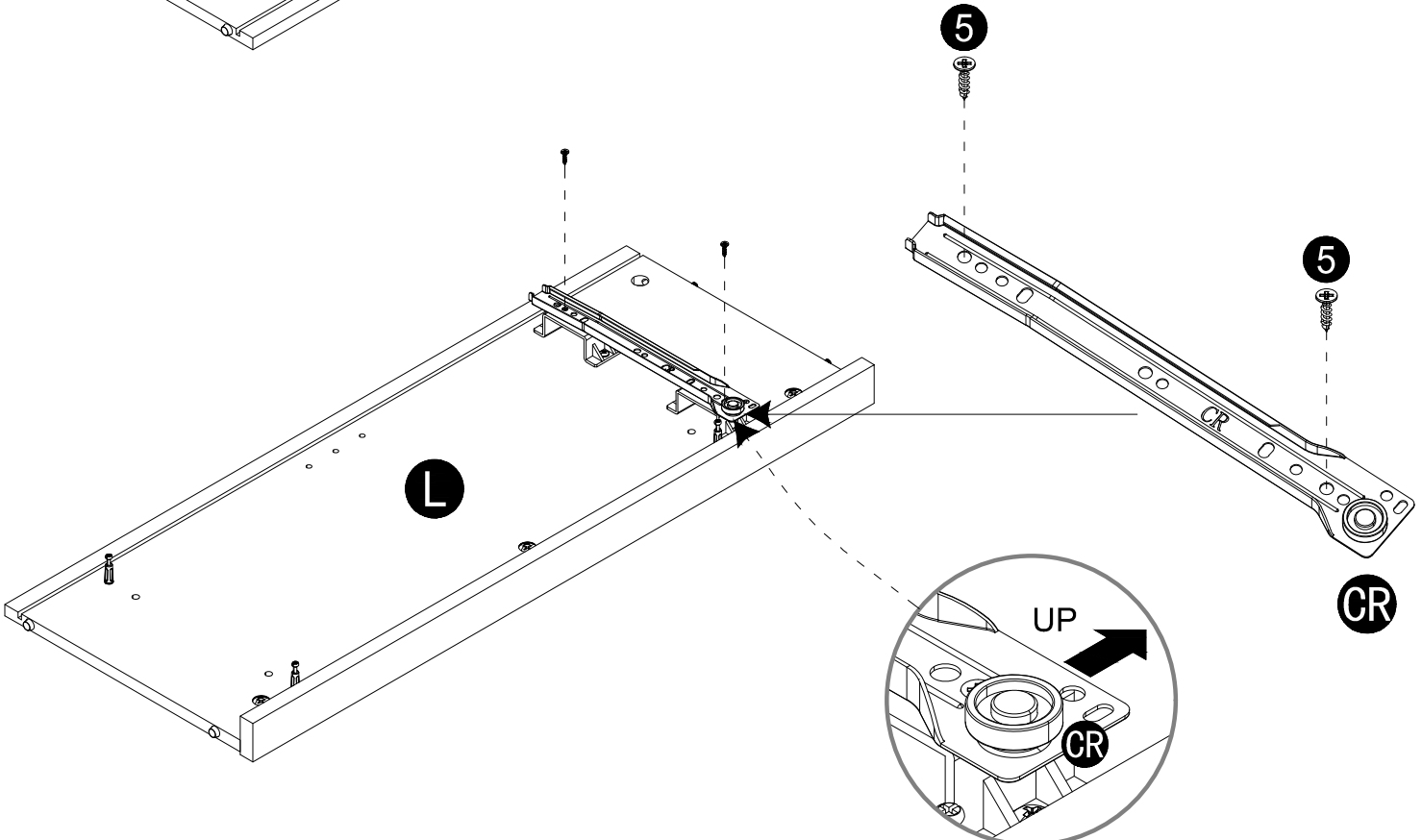
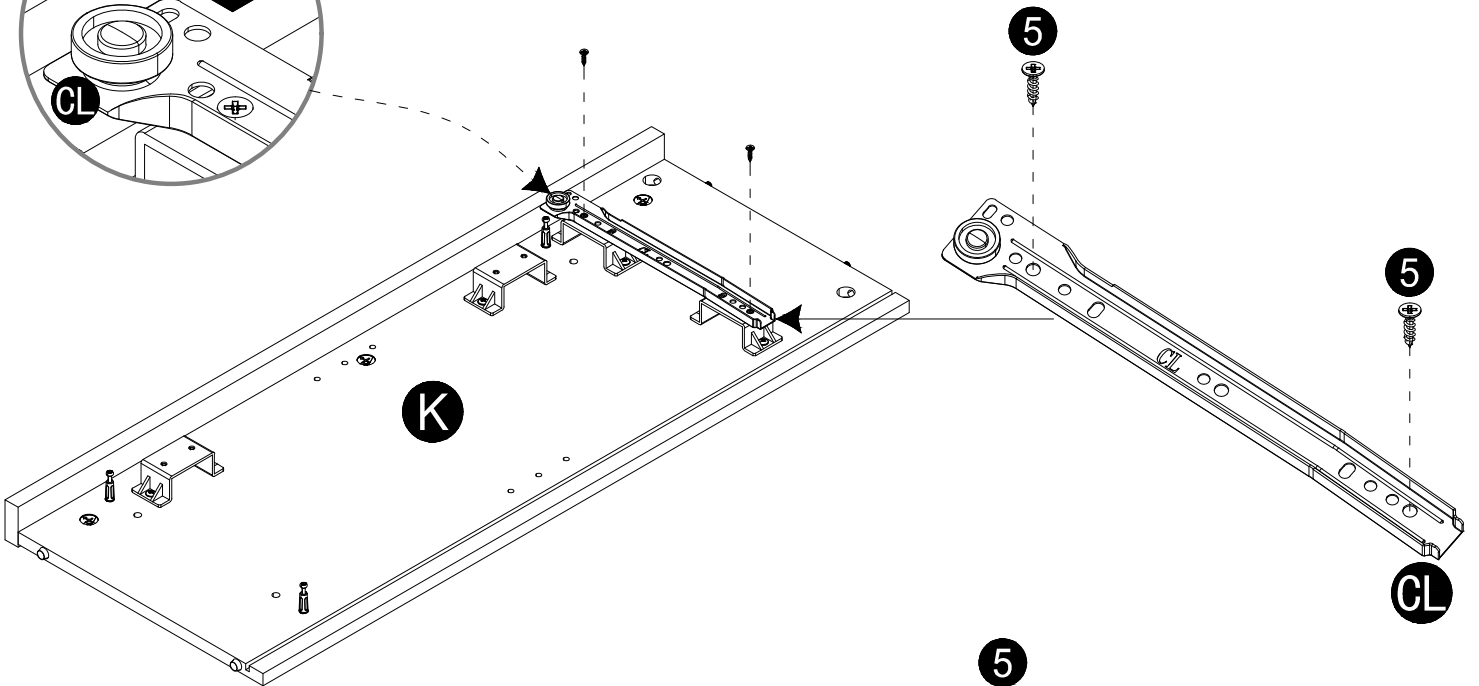
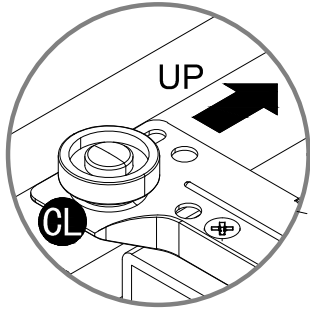


Proper orientation of CAM LOCK

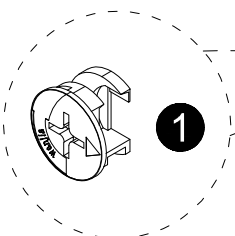
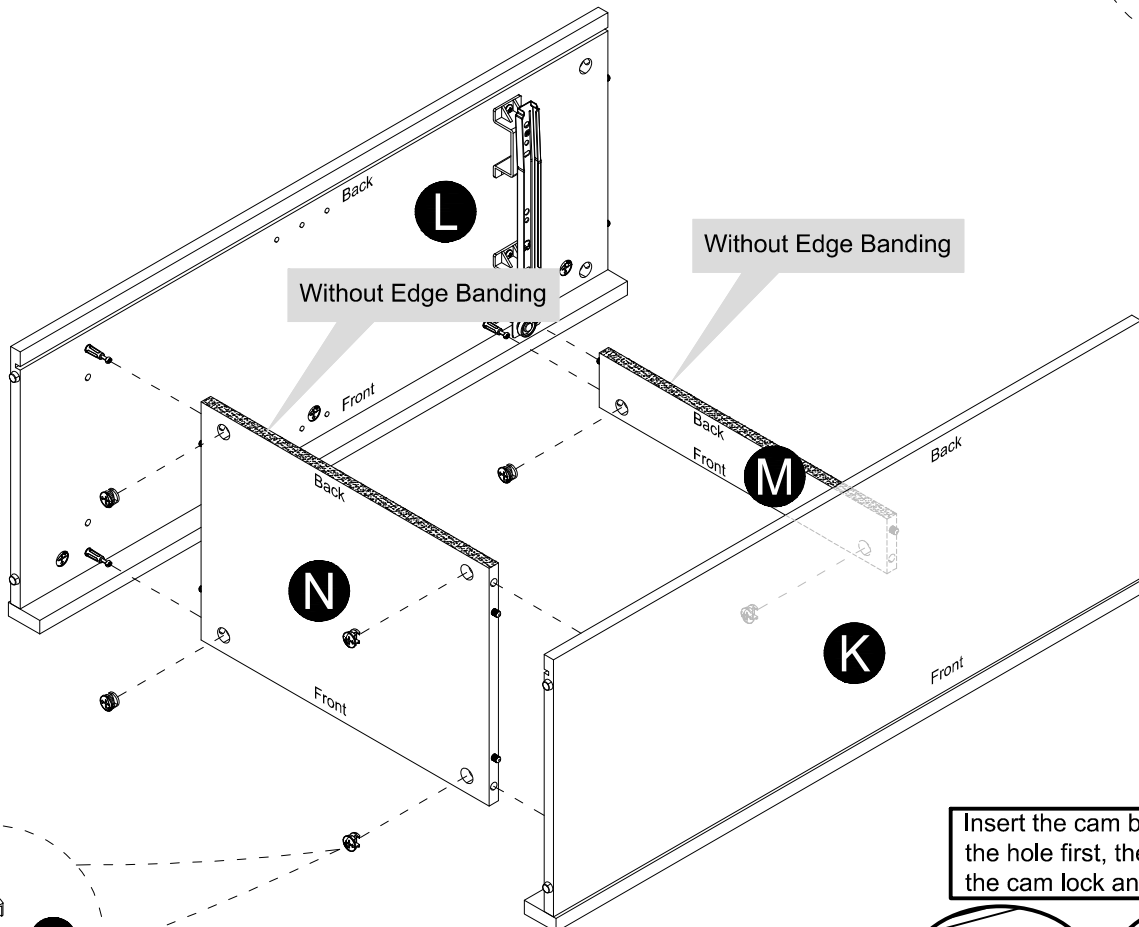
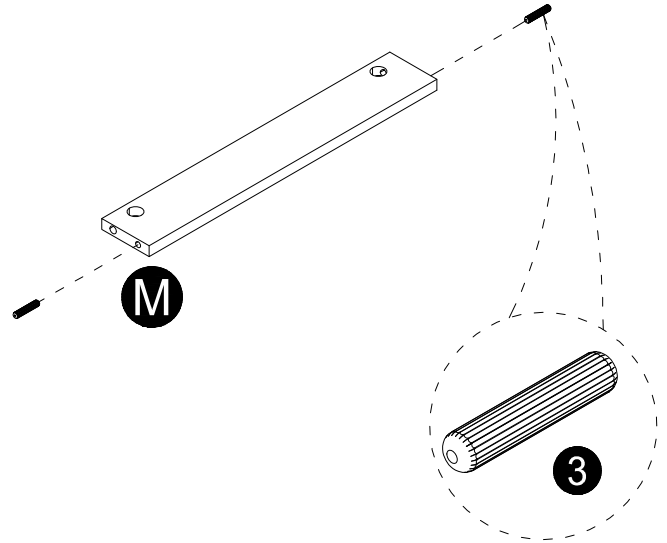
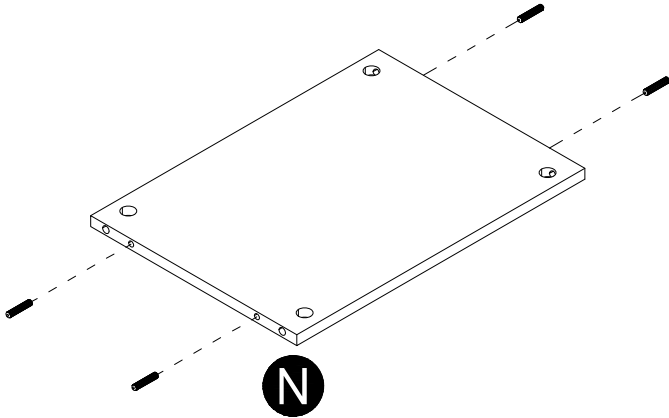
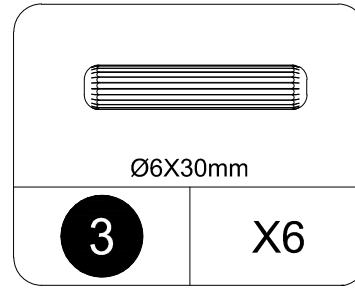
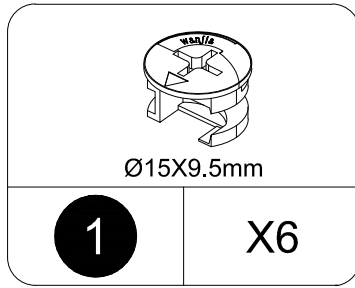
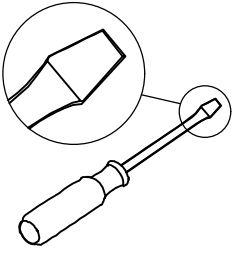
STEP15



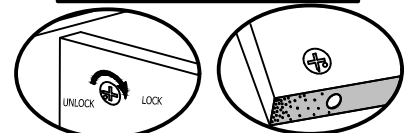
Note the CL or CR stamped label on the slider!



STEP16

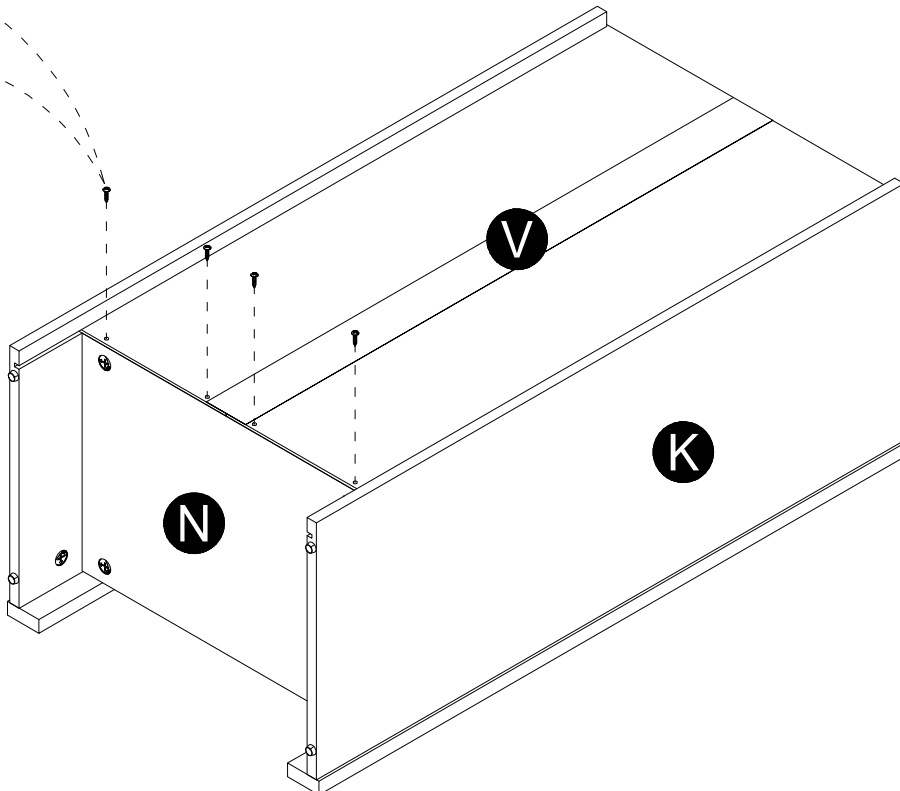
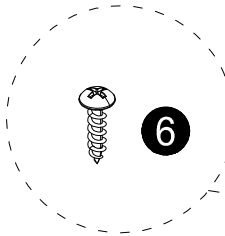
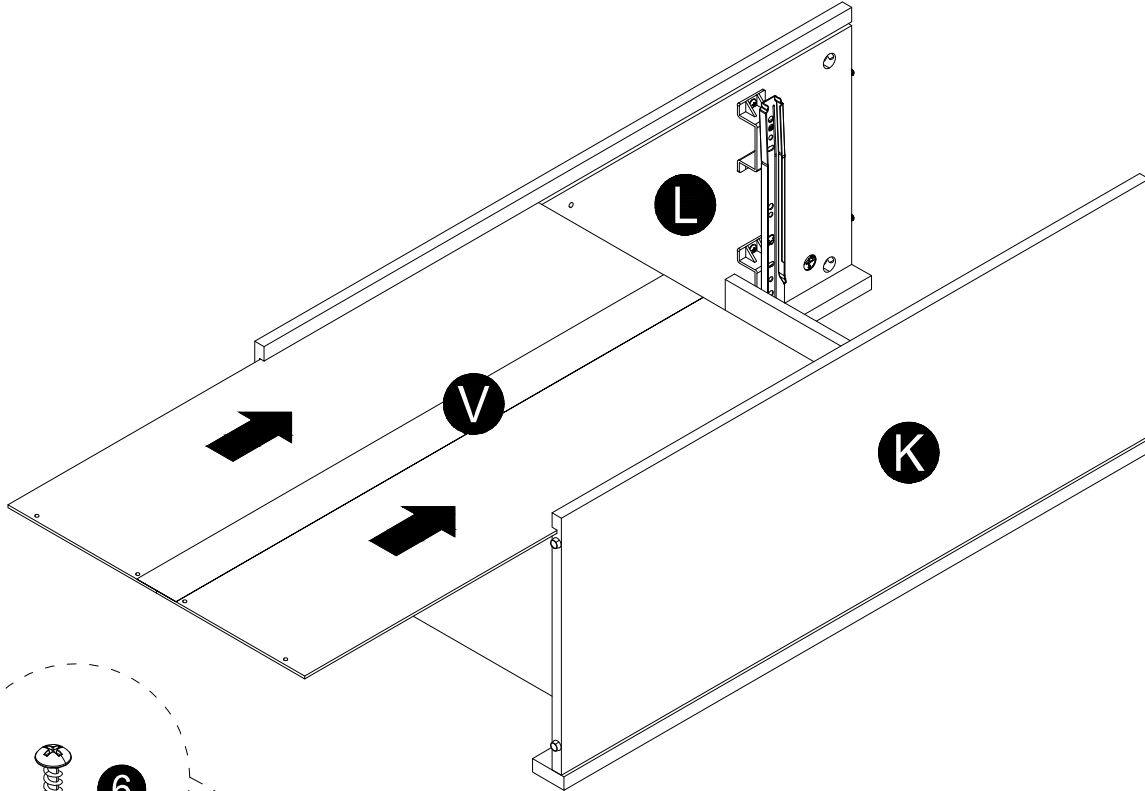
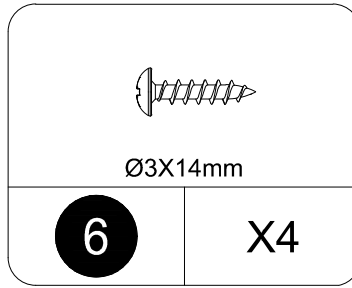
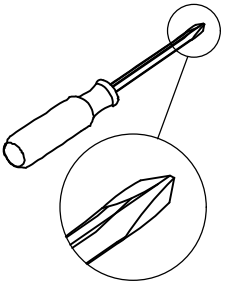


Insert the cam bolt into the hole first, then insert the cam lock and lock it.

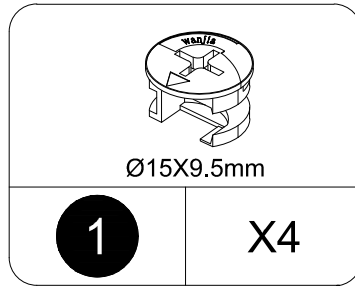
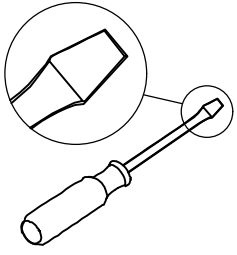


Proper orientation of CAM LOCK

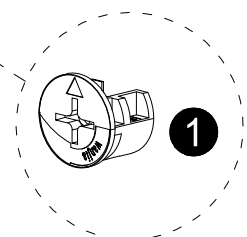
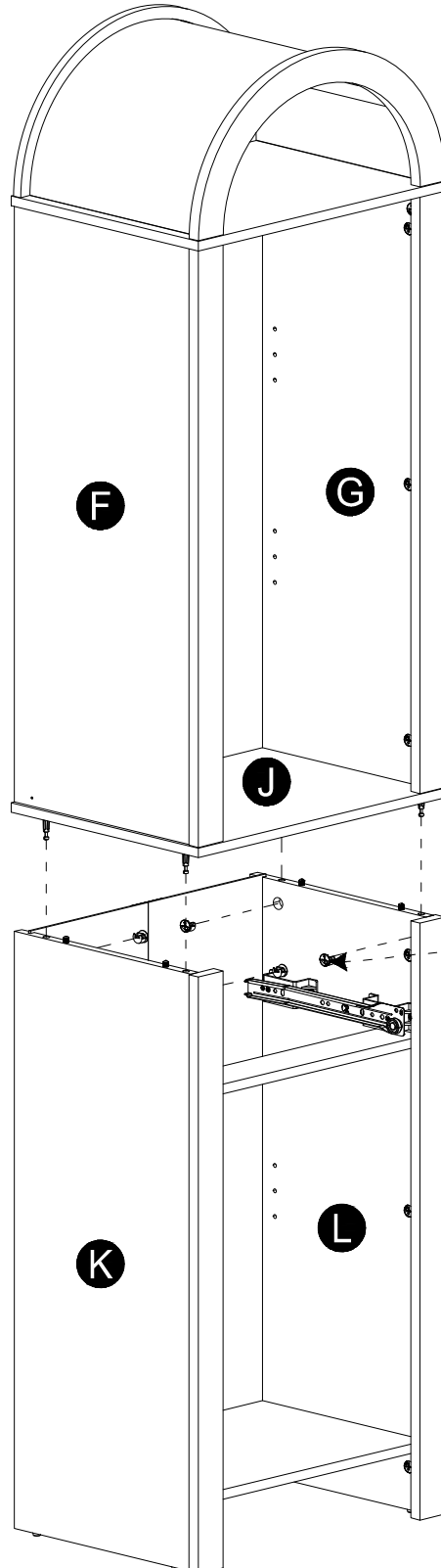
STEP17



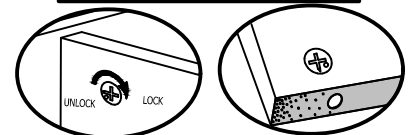
STEP18



THIS STEP REQUIRES 2 PEOPLE

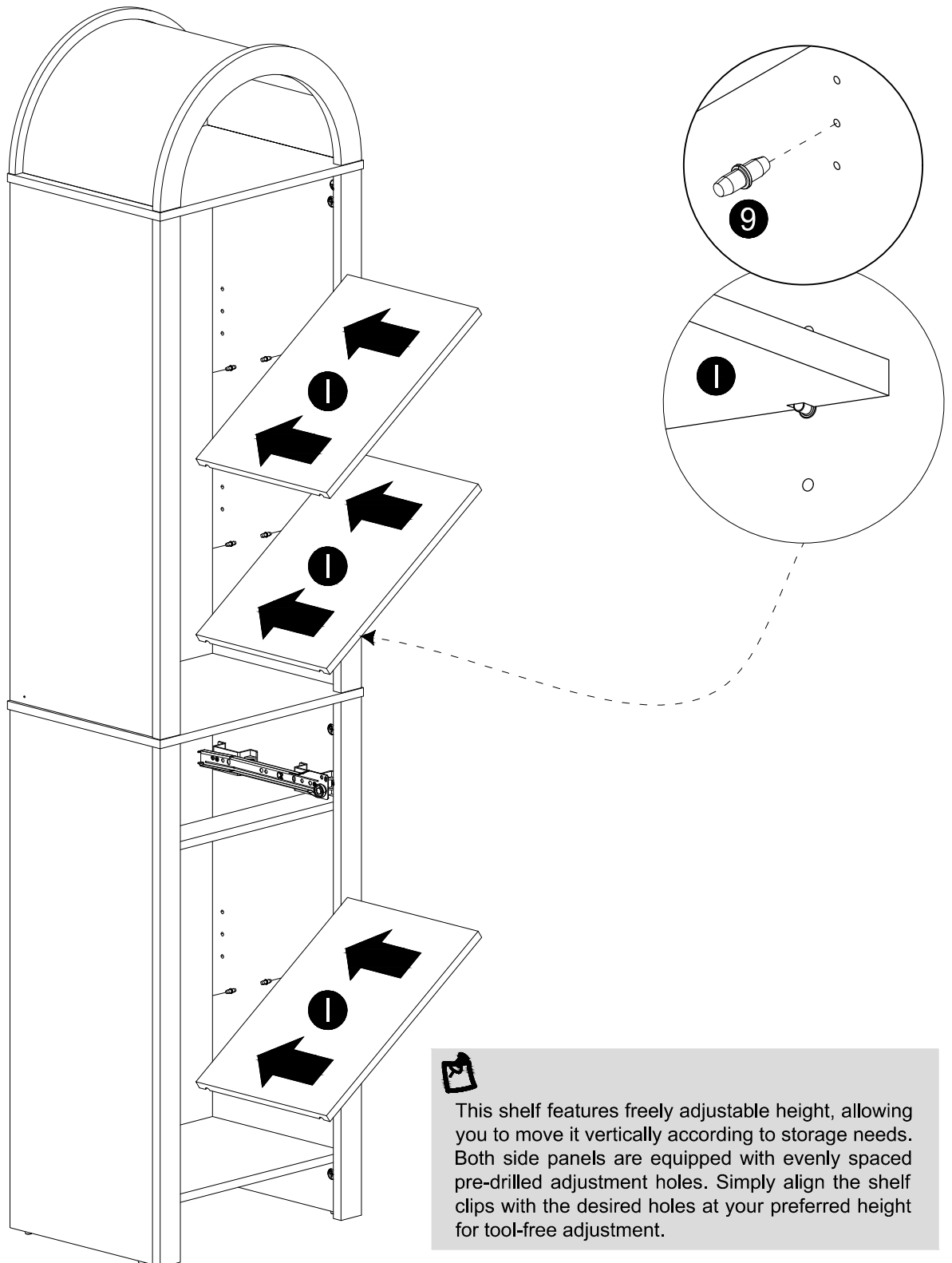
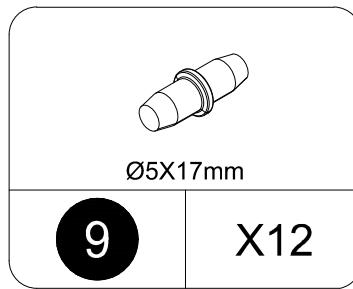
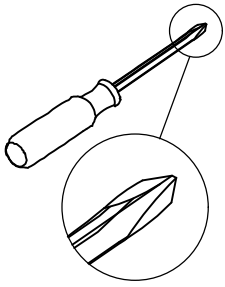


Insert the cam bolt into the hole first, then insert the cam lock and lock it.



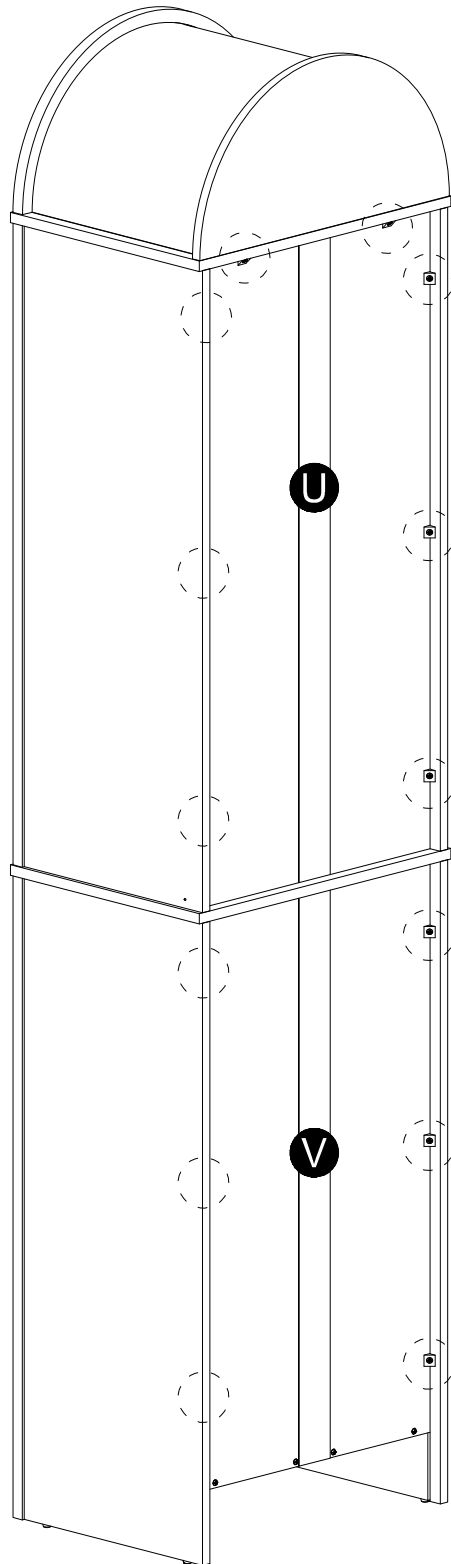
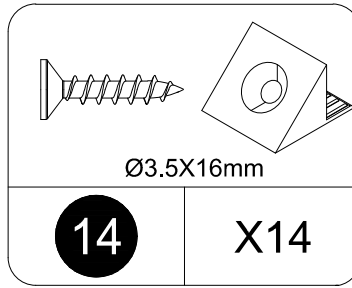
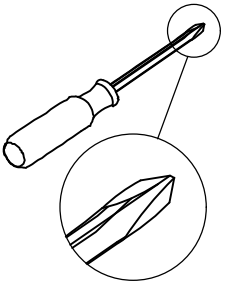
Proper orientation of CAM LOCK

STEP19

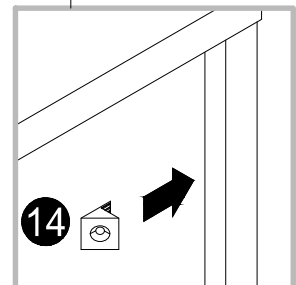


This shelf features freely adjustable height, allowing you to move it vertically according to storage needs. Both side panels are equipped with evenly spaced pre-drilled adjustment holes. Simply align the shelf clips with the desired holes at your preferred height for tool-free adjustment.

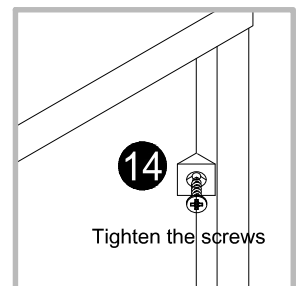
STEP20



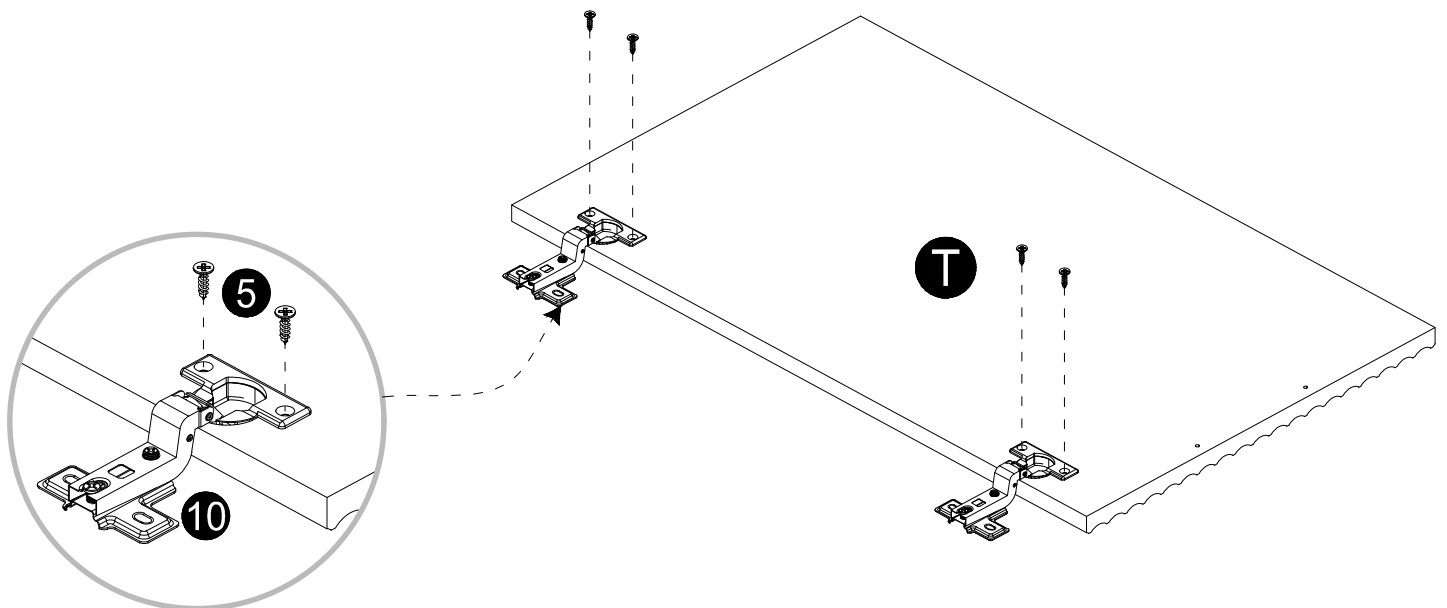
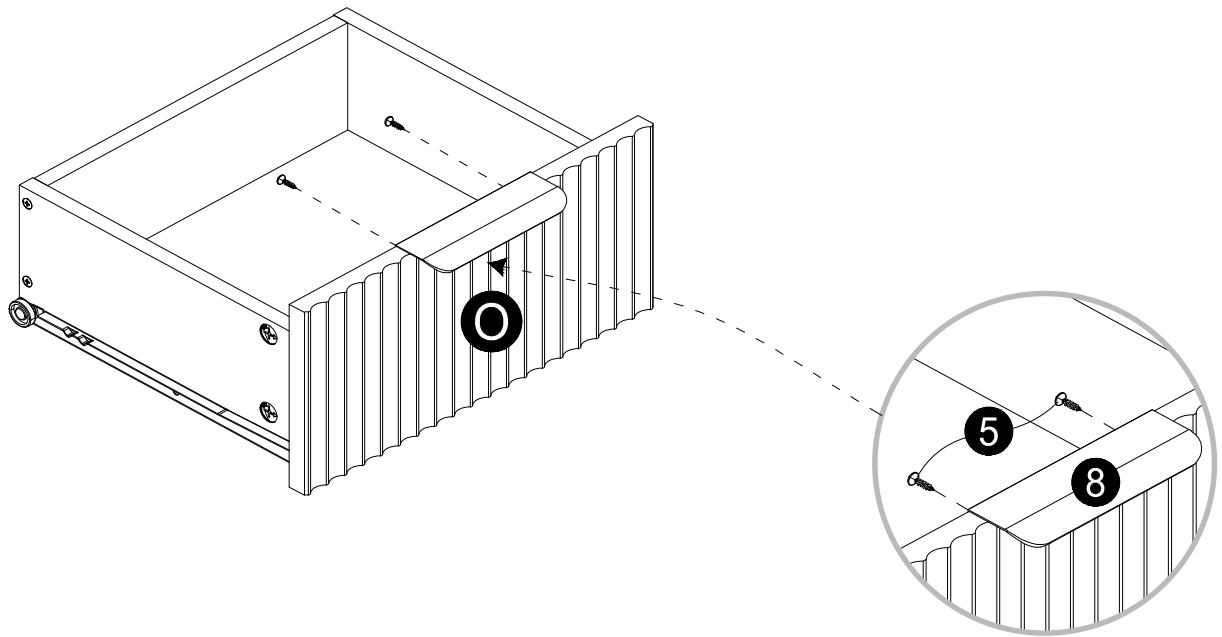
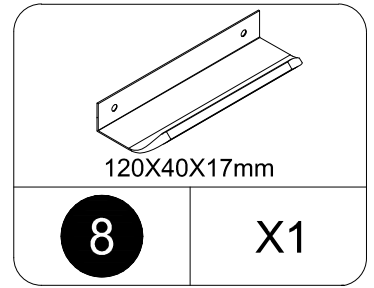
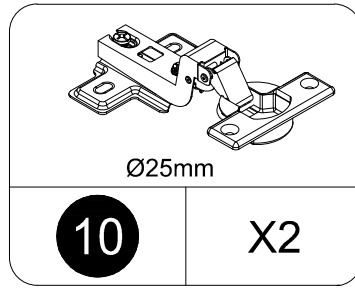
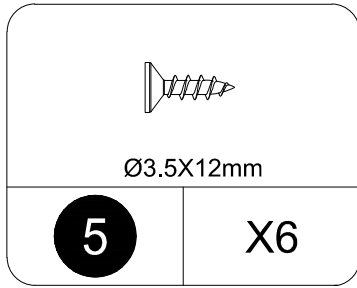
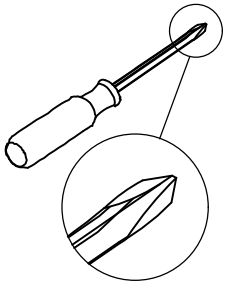
Step 1



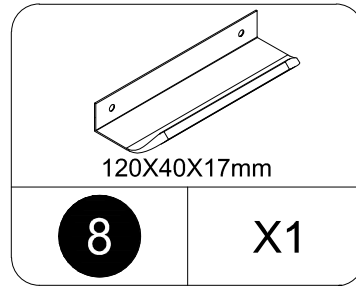
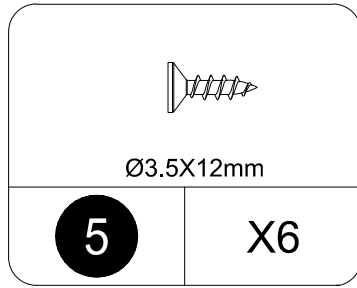
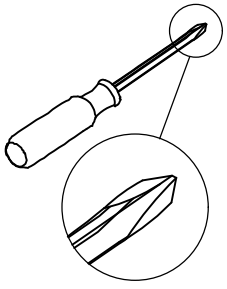
Step 2



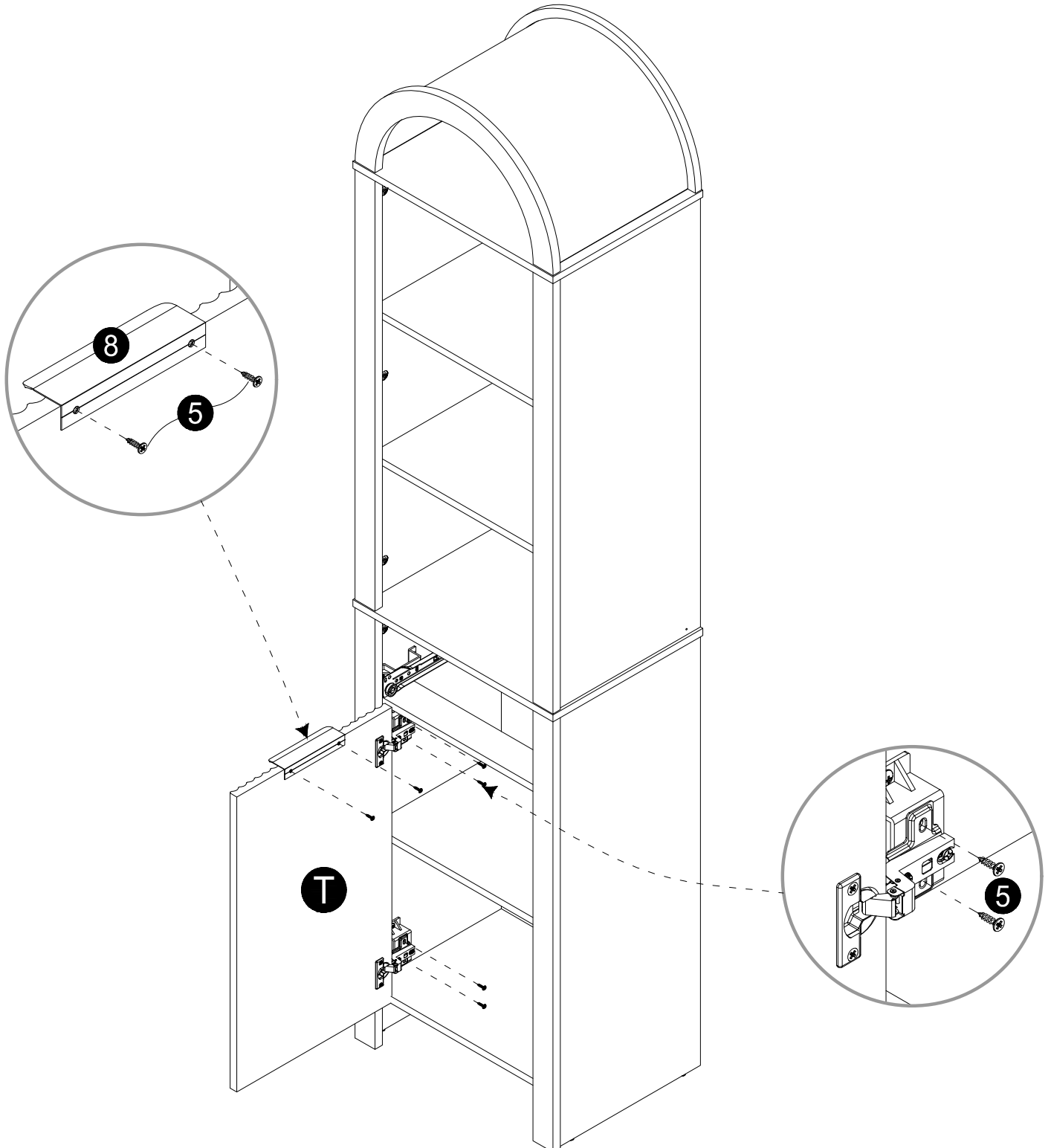
STEP21



STEP22

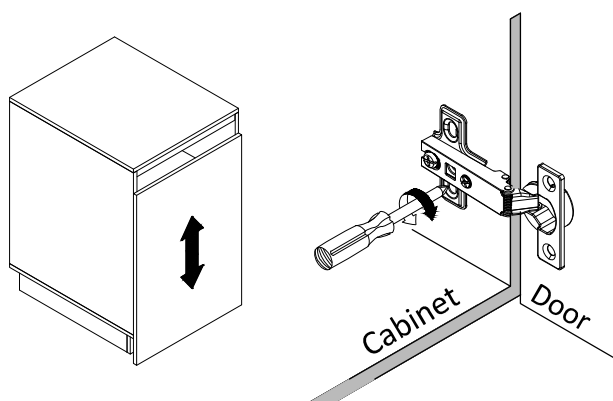
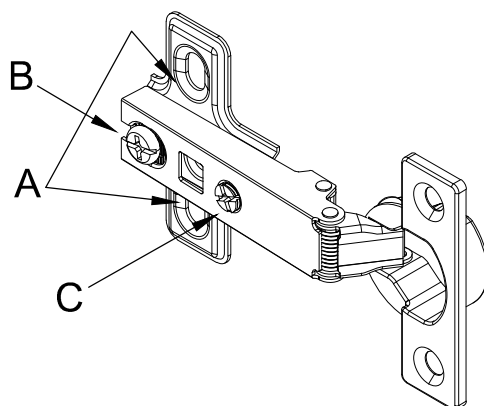


THIS STEP REQUIRES 2 PEOPLE

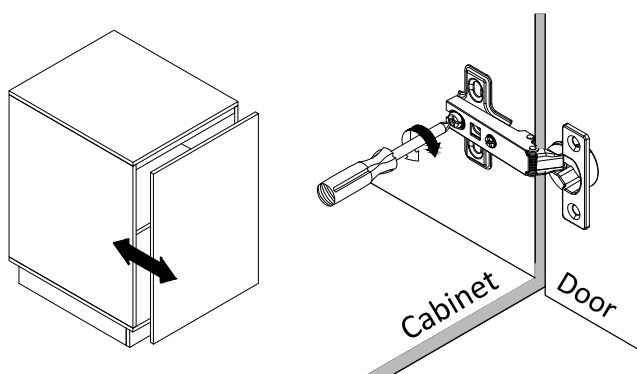


STEP23

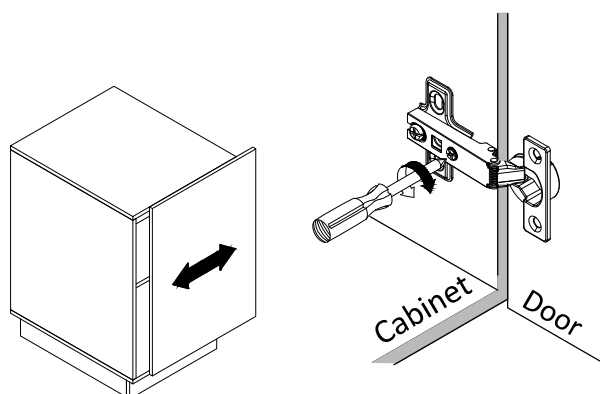
SCHEMATIC DIAGRAM OF HINGE ADJUSTMENT DOOR PANEL GAP



To adjust the vertical height.
Loosen the four screws "A" on both hinges.
Two of them are usually in slotted holes which allows you to adjust up or down by a few mm.
Then tighten back up.

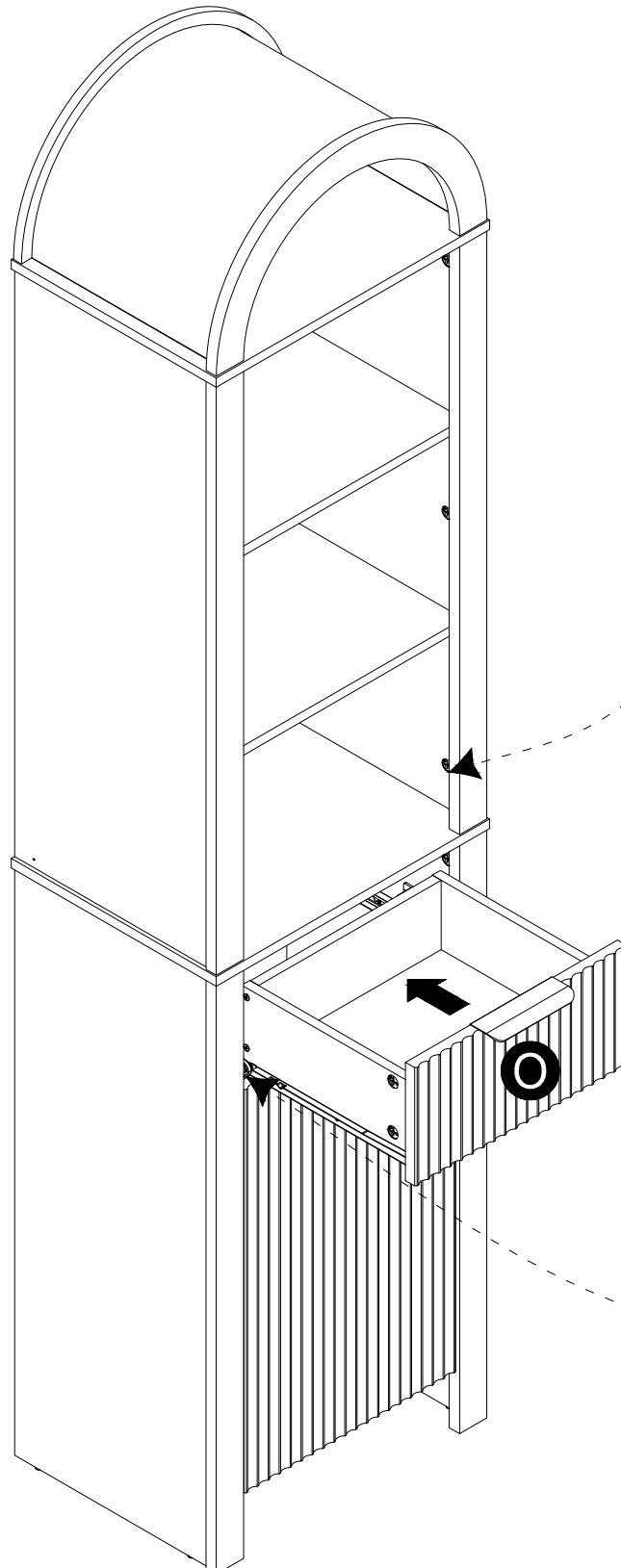
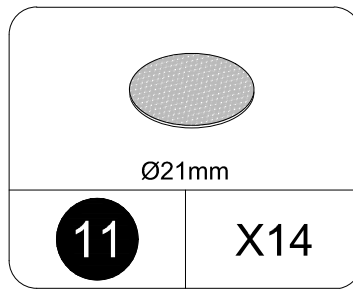


To adjust depth.
Loosen screw "B" and adjust door, if the door can not be adjusted, please loosen screw "C", then try again. Tighten screw "B" and "C".

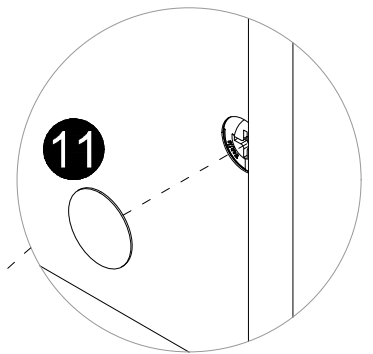


To adjust side ways.
Turning the screw "C" on BOTH hinges on each door.

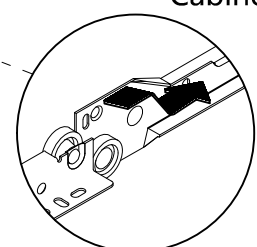
STEP24



Stick the exposed holes of the cabinet body with hole stickers (11)



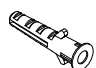
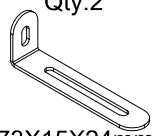


Cabinet Slide



Drawer Slide

STEP25

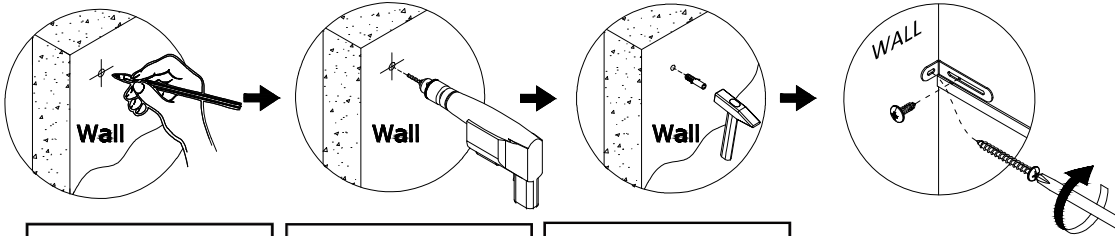
Qty:2  Ø4X40mm	Qty:2  Ø4X12mm	Qty:2  Ø8X29mm	Qty:2  73X15X24mm
13		X1 set	

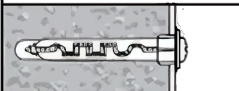
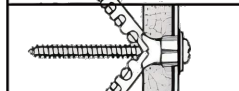





Warning Topple Over

! Warning: If you overturn the furniture, it may cause serious or fatal crushing injuries. We have a wall connection device attached, please use it to hold the furniture following these instructions.

1. Mark the corresponding hole positions where you want to place the furniture;
2. Use a impact drill to drill holes and pay attention to avoid wires and water pipes;
3. Knock the expansion pipes into the wall holes;
4. Place the furniture in the corresponding position and tighten the wall connection device with screws.



A solid wall	B cavity wall	C solid wood
		
Ø 6mm (1/4) 	Ø 6mm (1/4) 	Ø 3mm (1/8) 