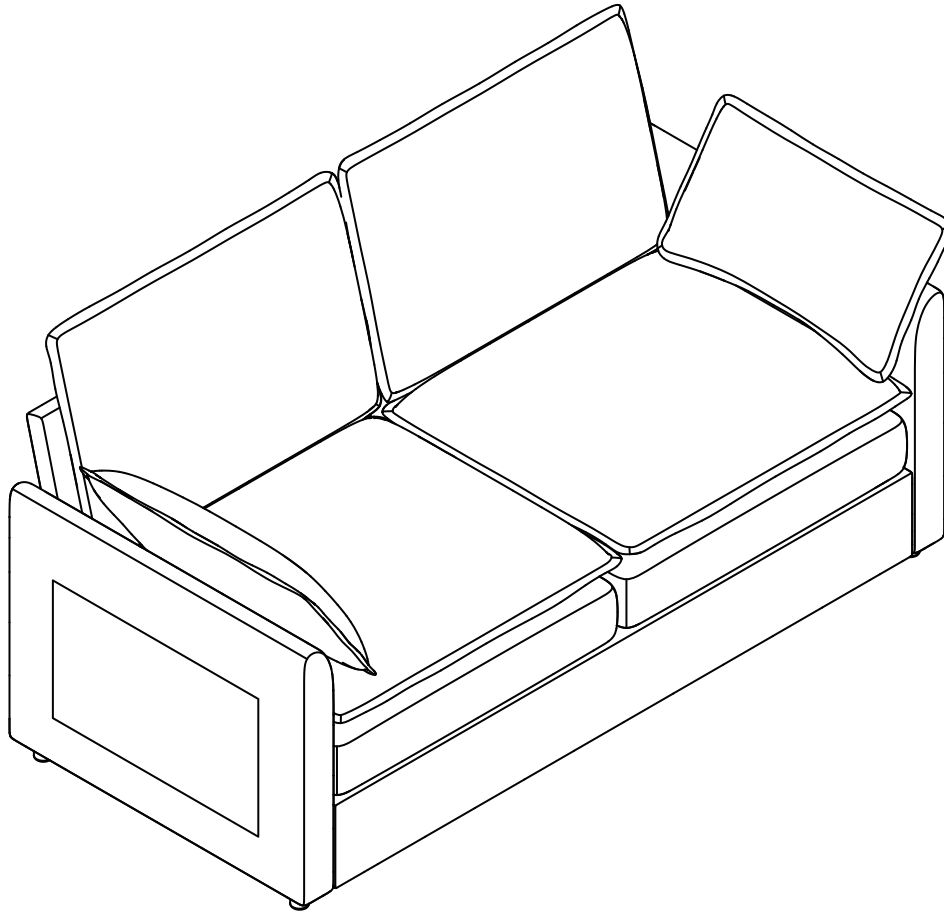


# ASSEMBLY INSTRUCTIONS



## IMPORTANT NOTE

**\*\*Place all parts on a lean and smooth surface such as a rug or carpet to avoid the parts from being scratched.**

**\*\*Before you begin, please review the assembly instruction step by step.**

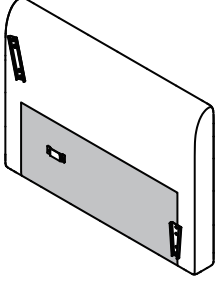
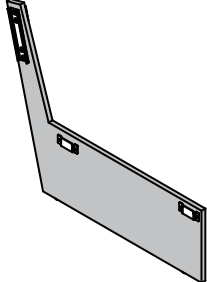
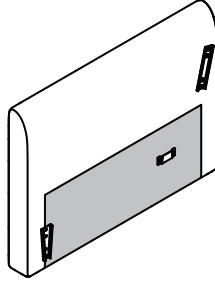
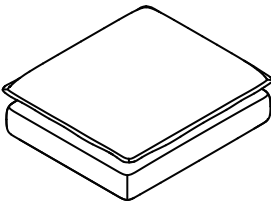
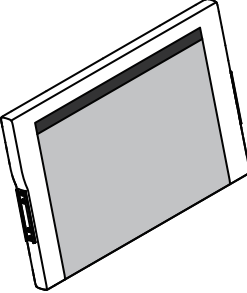
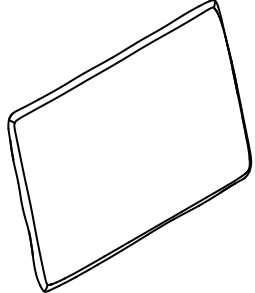
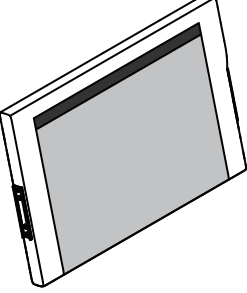
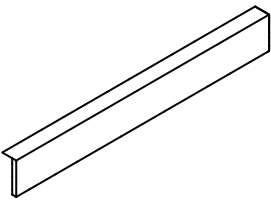
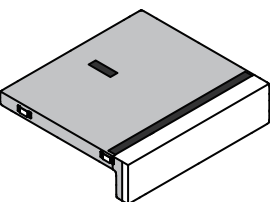
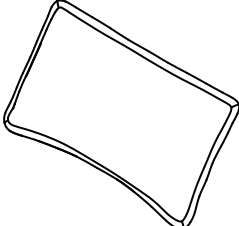
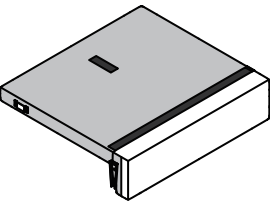
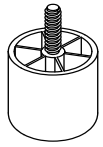
### **\*\*Return & Warranty Policy:**

**-We strive to offer the highest quality products. We also provide positive solutions with replacements or refund if needed.**

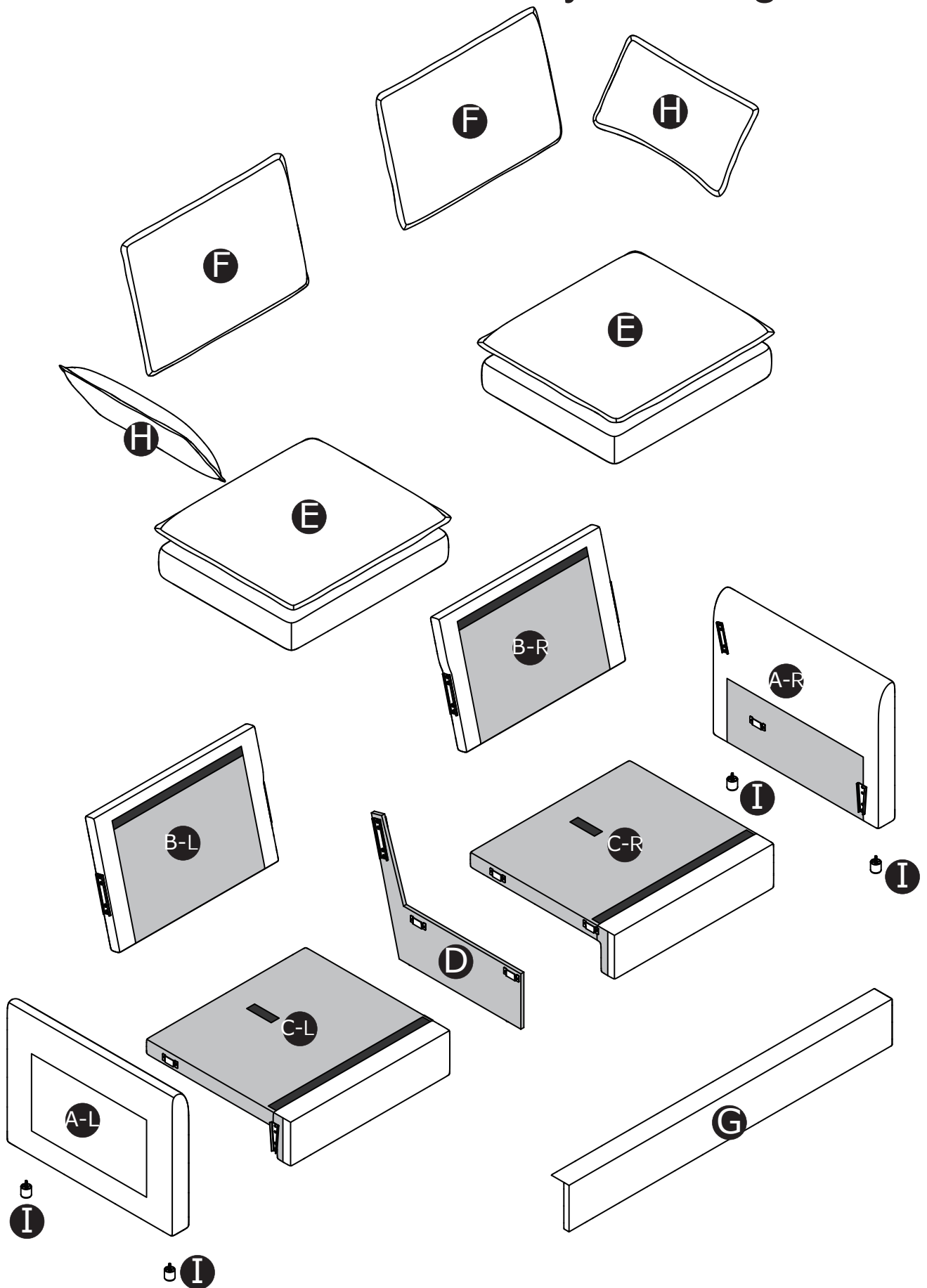
**-If the item is damaged or defective, please take photos to show the problem and email to the seller.**

**-Please do not return back the product before contact the seller.**

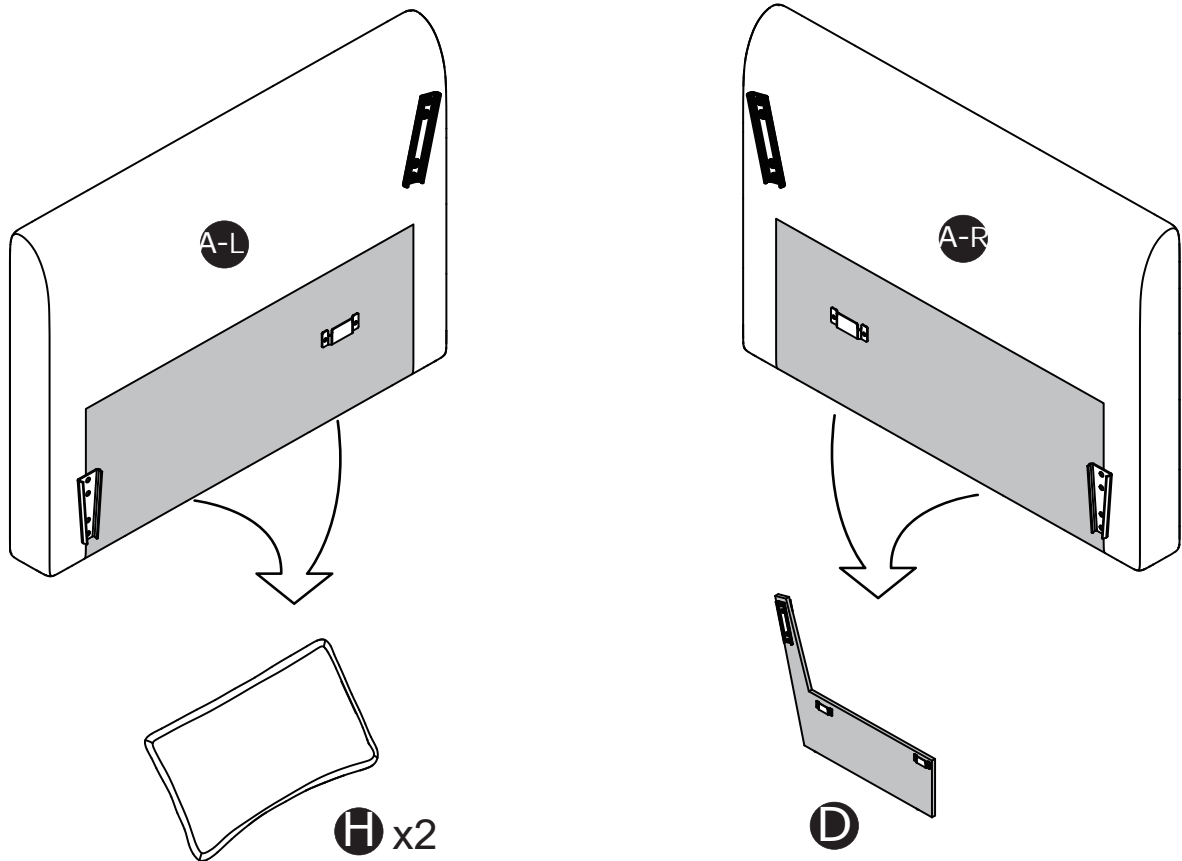
# PART LISTS BOX 1

Part NO.	Part Image	Part Name	QTY	Part NO.	Part Image	Part Name	QTY
A-R		Right Armrest	1	D		Middle Baffle Board	1
A-L		Left Armrest	1	E		Seat Cushion	2
B-R		Right Back Frame	1	F		Back Cushion	2
B-L		Left Back Frame	1	G		Front Lining	1
C-R		Right Seat Frame	1	H		Armrest Cushion	2
C-L		Left Seat Frame	1	I		Leg	4

# Sofa Overall Assembly Drawing

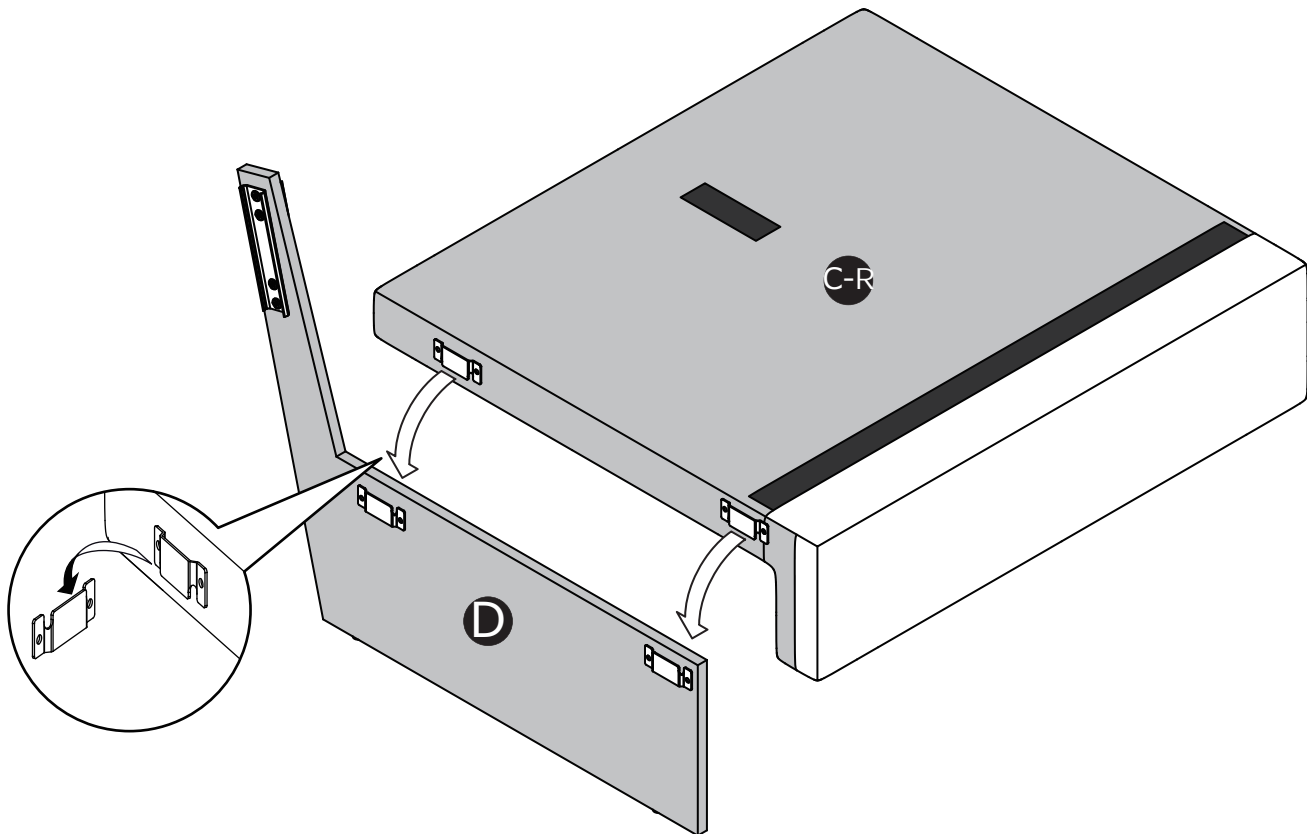


## Step 1



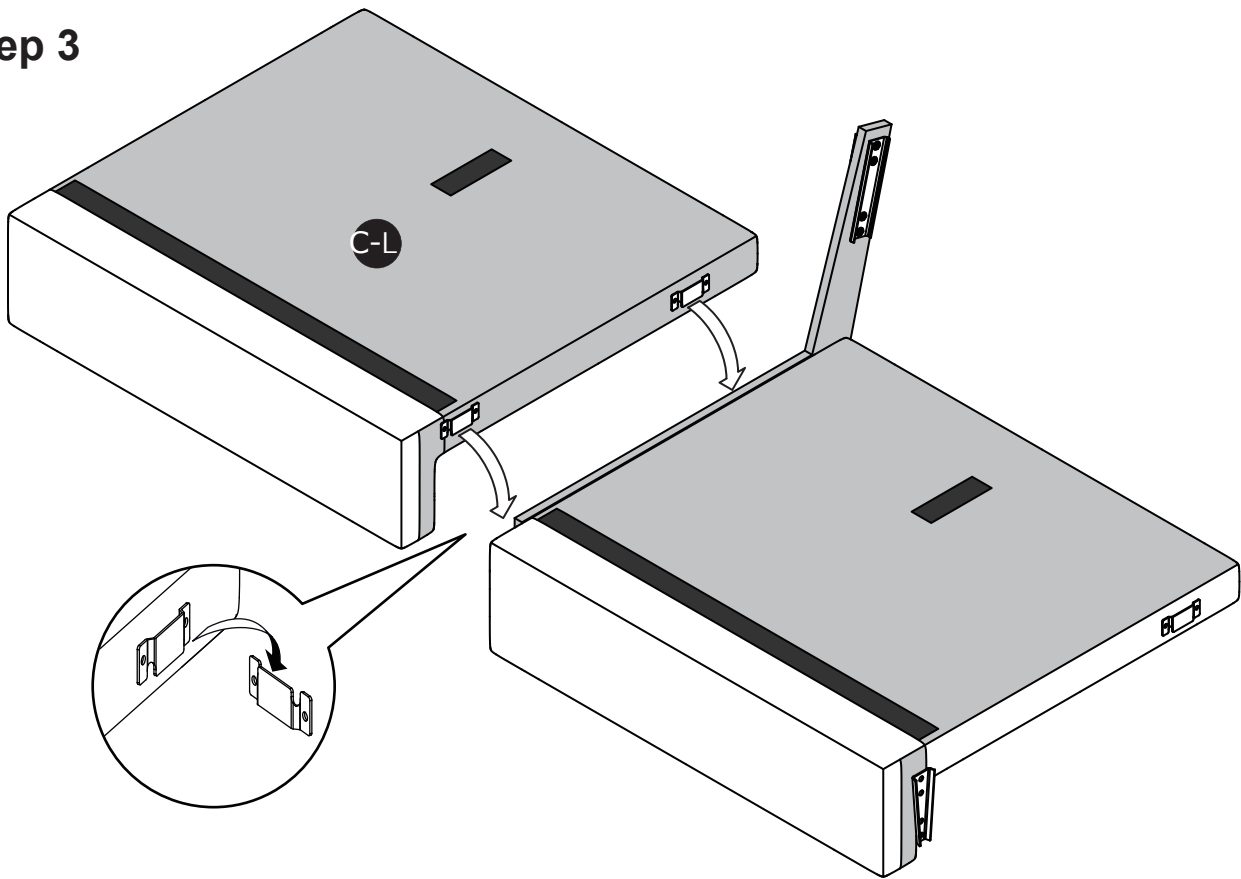
**Some parts are inside Armrest, please take them out**

## Step 2



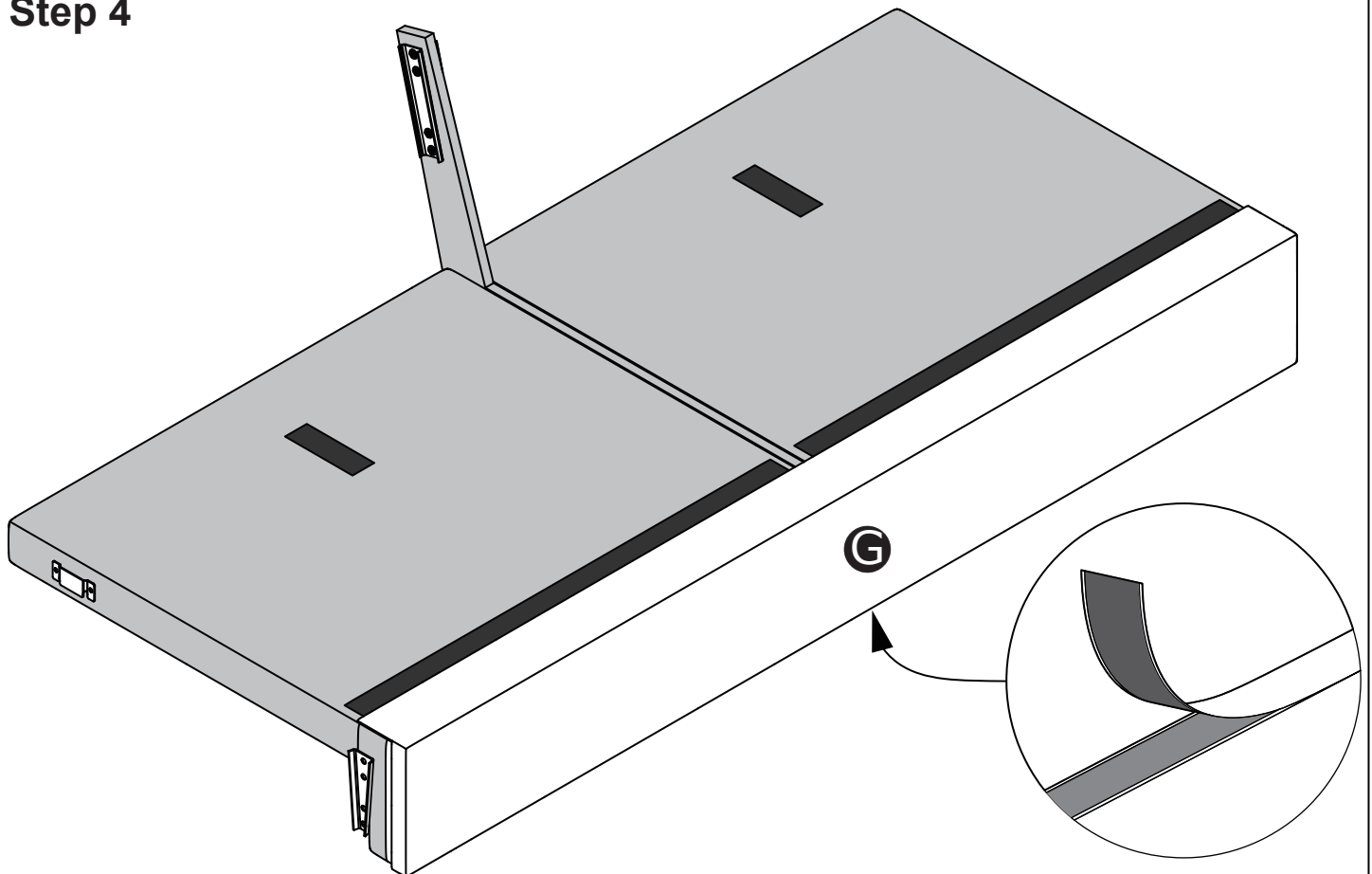
**Please put armrests on the ground and lift the seat frame to inset into armrests.**

### Step 3



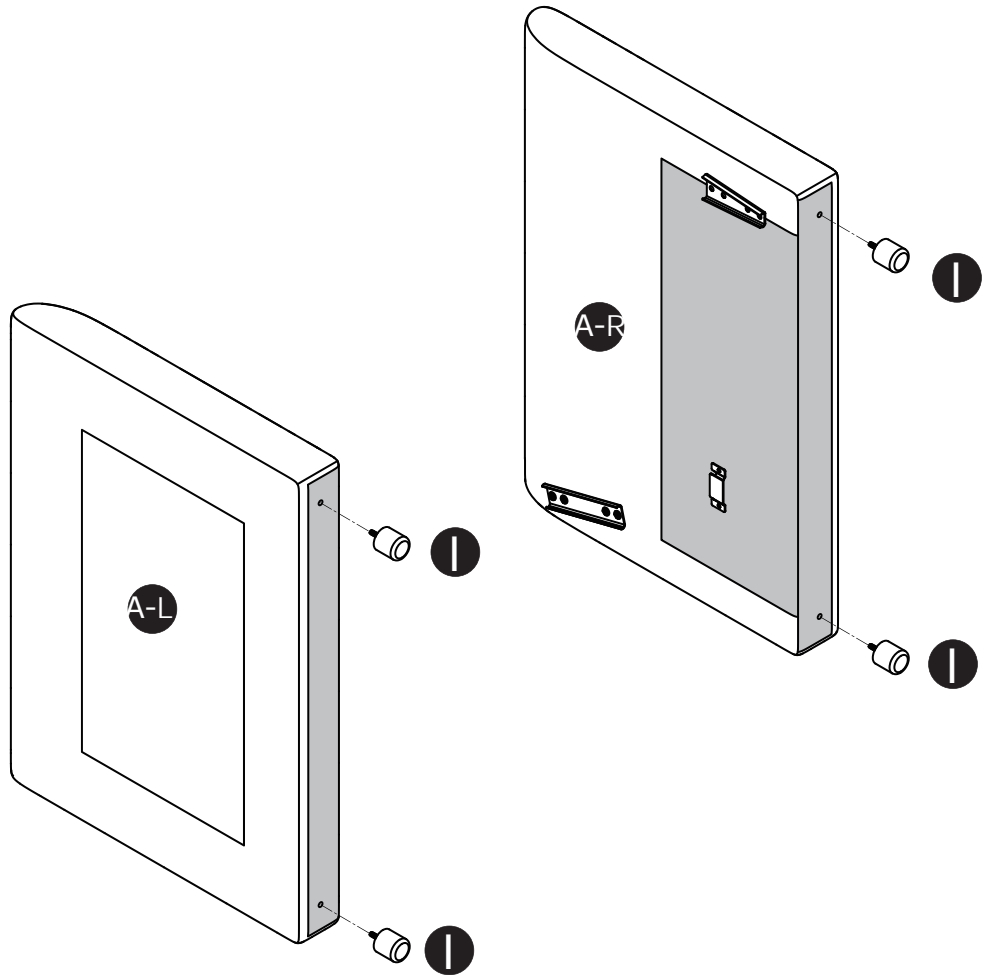
Please lift the seat frame "C-R" to inset into PART "D".

### Step 4

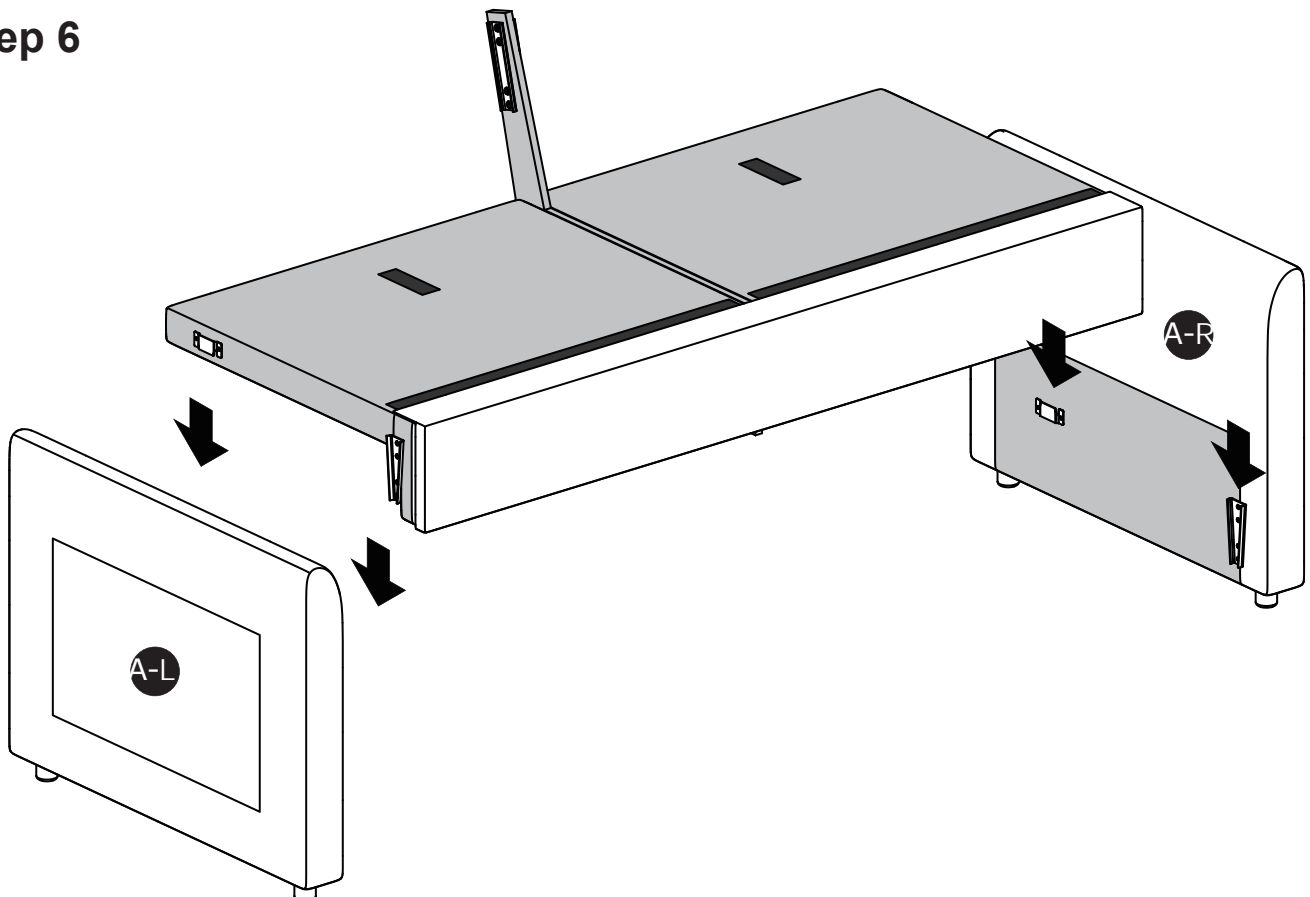


Remove the Velcro from Fabric "G" and attach to the seat frame "C-R", "C-L".

## Step 5

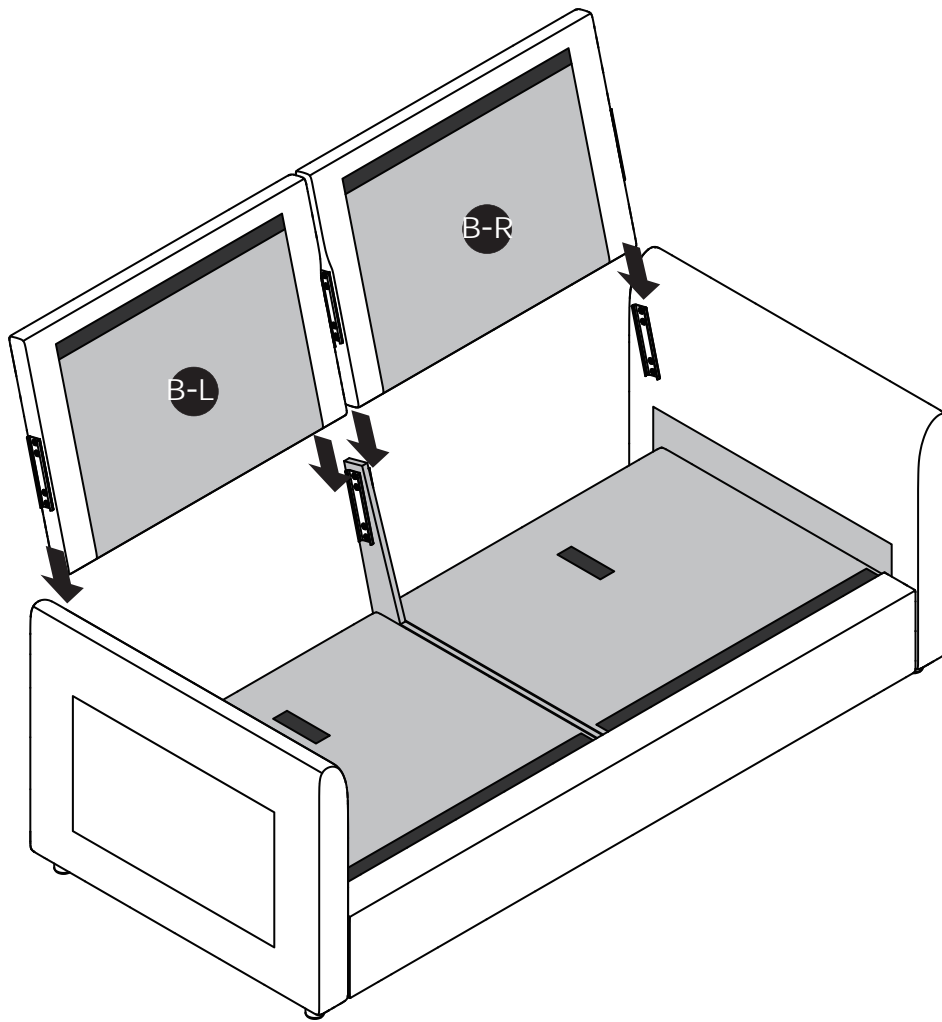


## Step 6

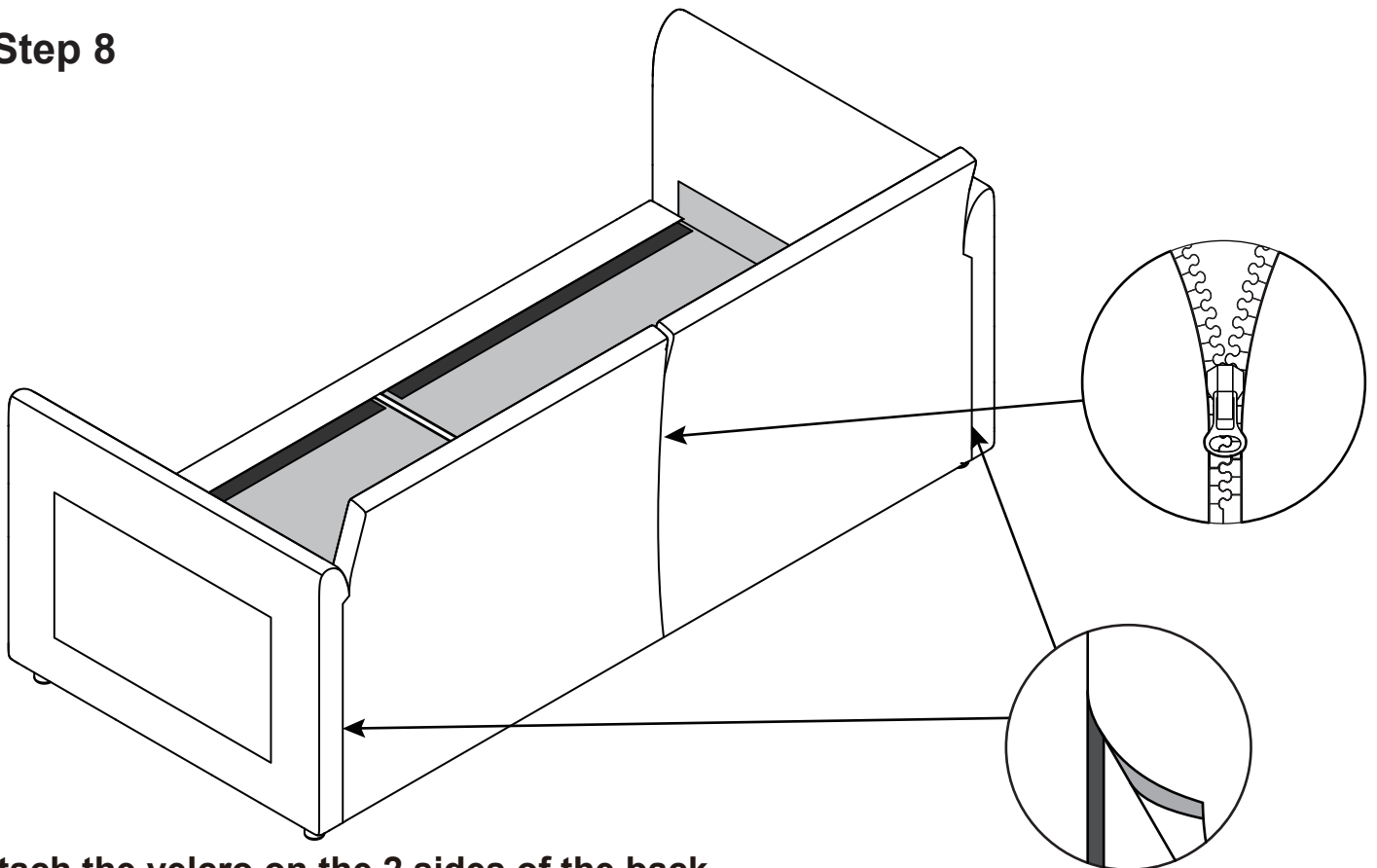


**Please put armrests on the ground and lift the seat frame to inset into armrests.**

## Step 7

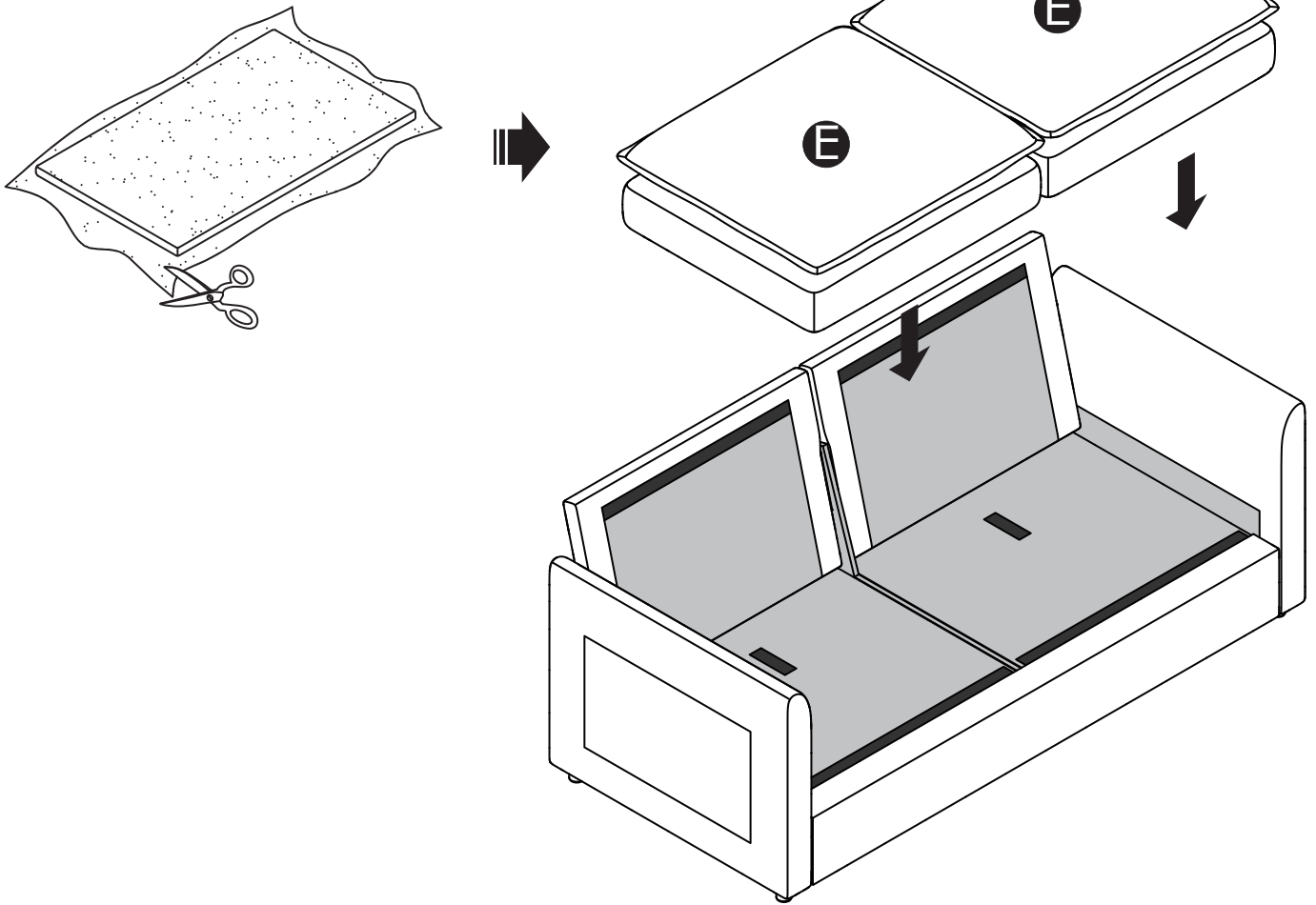


## Step 8

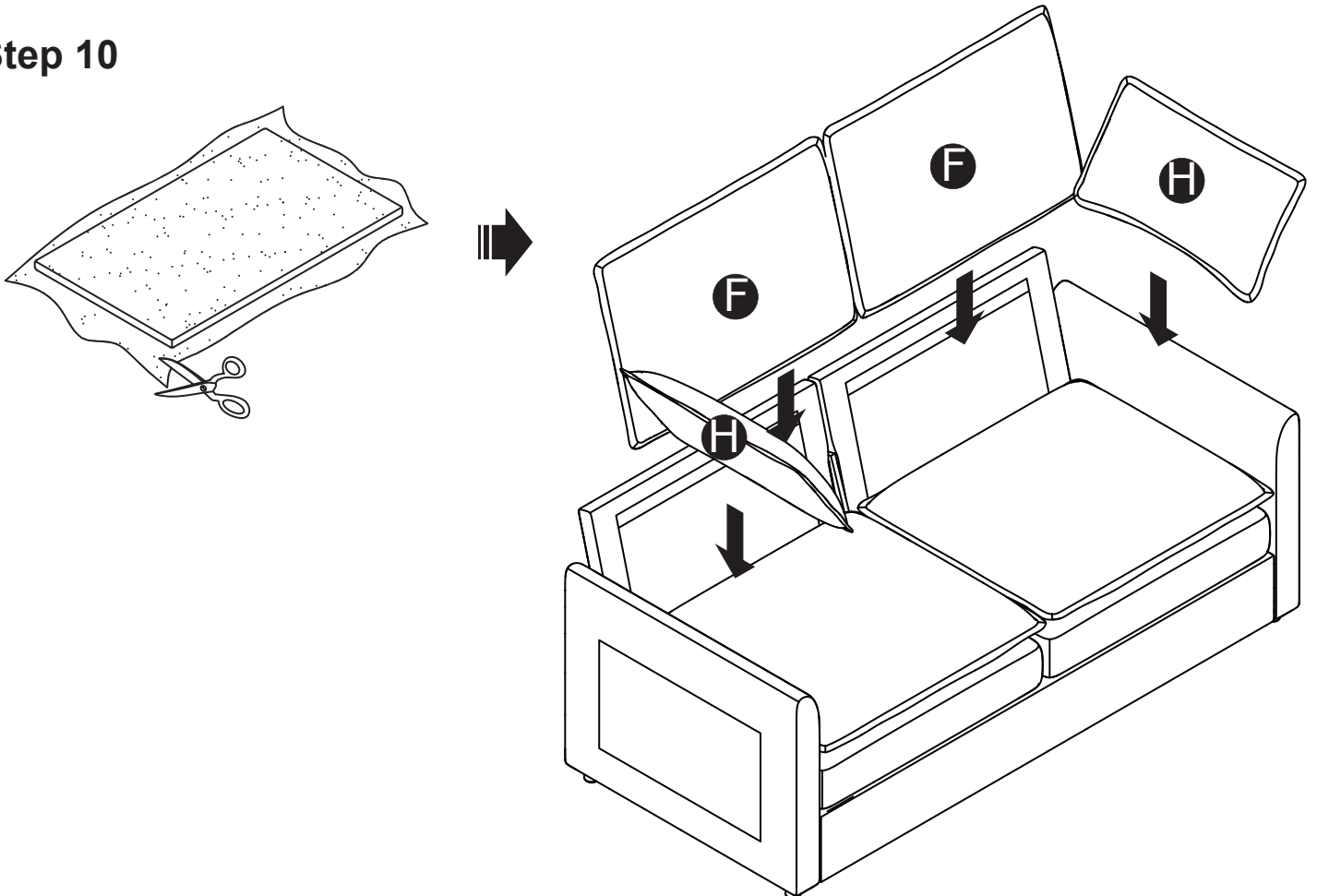


**Attach the velcro on the 2 sides of the back and connect 2 back frame by zippering up the center of the back.**

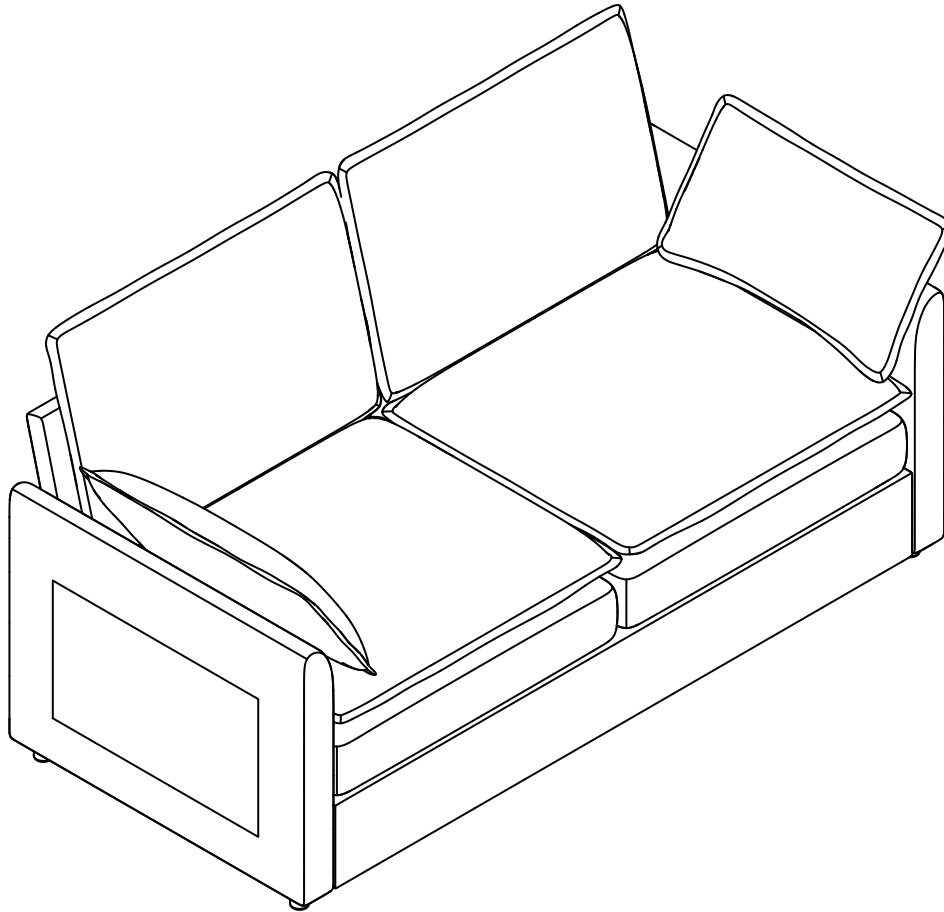
## Step 9



## Step 10



## Step 11



**The product has compression parts,  
Please pat them by hand and wait 72 hours, the cushions will be recover.**