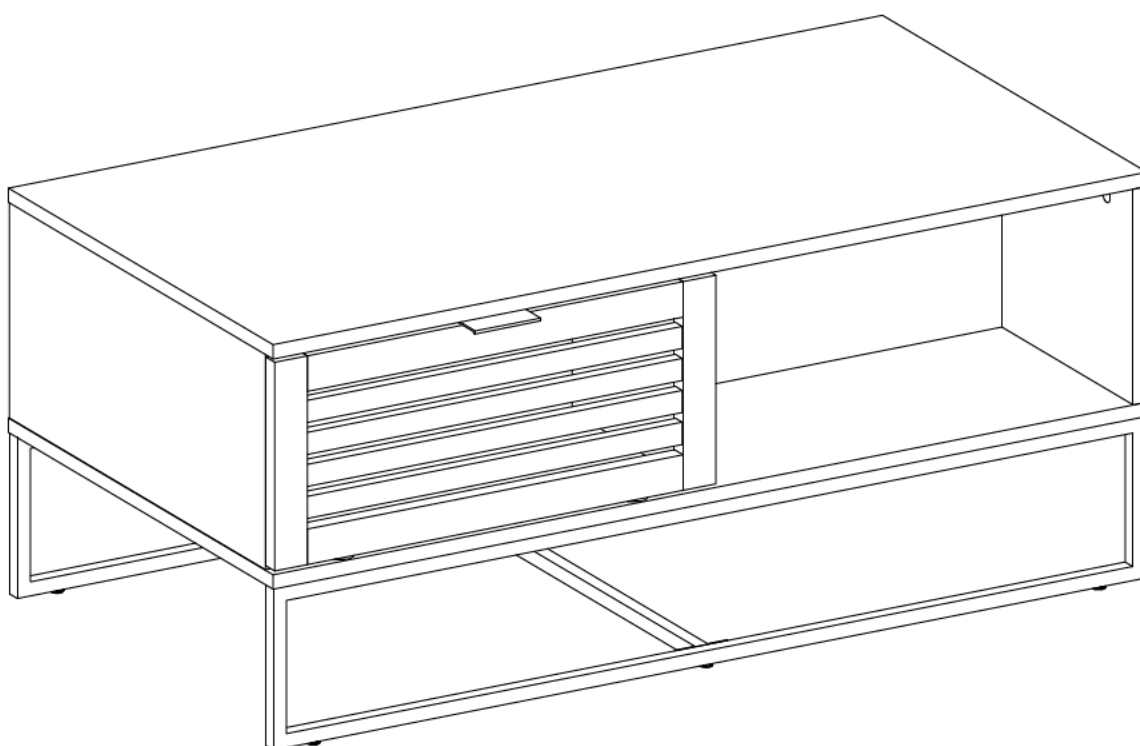


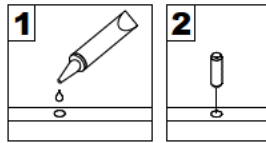
Assembly Instructions



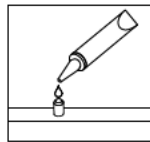
Revised 09/07/2019 (E)

General Assembly Guidelines

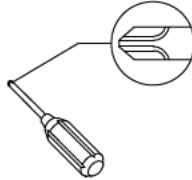
- I. Ensure that all parts and hardware are available before beginning assembly.
- II. Follow each step carefully to ensure the proper assembly of this product.
- III. Two people are recommended for ease in the assembly of this product.
- IV. The three main types of hardware used to assemble this product are : wood dowels , screws and bolts.
- V. The provided glue is to secure wood dowels in place . When first inserting dowels , locate the appropriate hole for the dowel , place a small amount of glue in the hole and insert the dowel . Wipe away excess glue immediately.



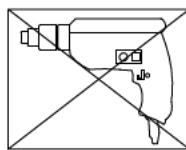
In future assembly steps when dowels are necessary to attach assembly parts together , place a small amount of glue on the end of the dowel before attaching parts together . Wipe away excess glue immediately.



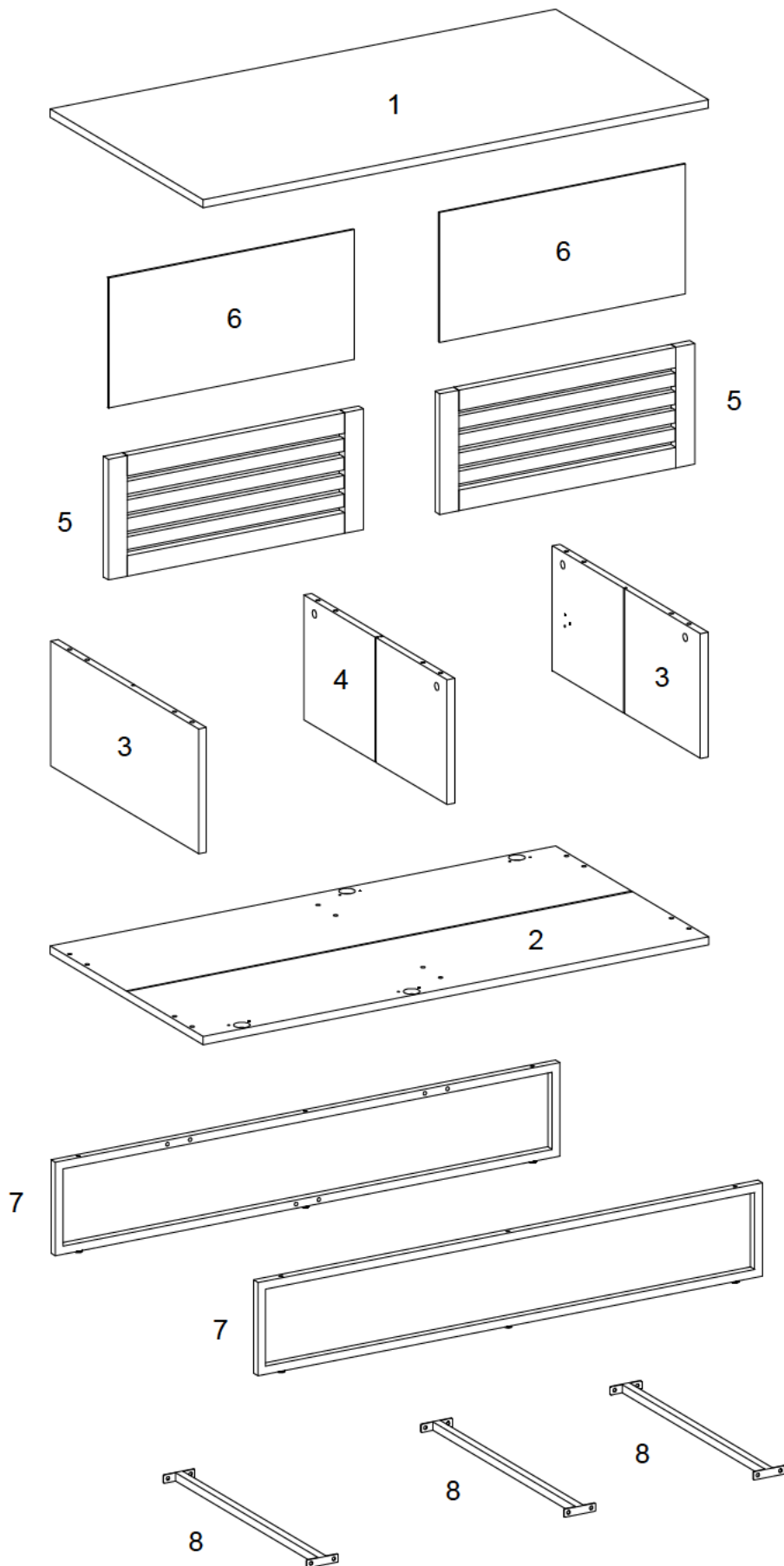
- VI. A Phillips head screwdriver is required for the assembly of this product .







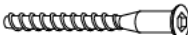









- VII. Power tools should not be used to assemble this product .

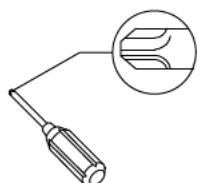


Parts List



Hardware List

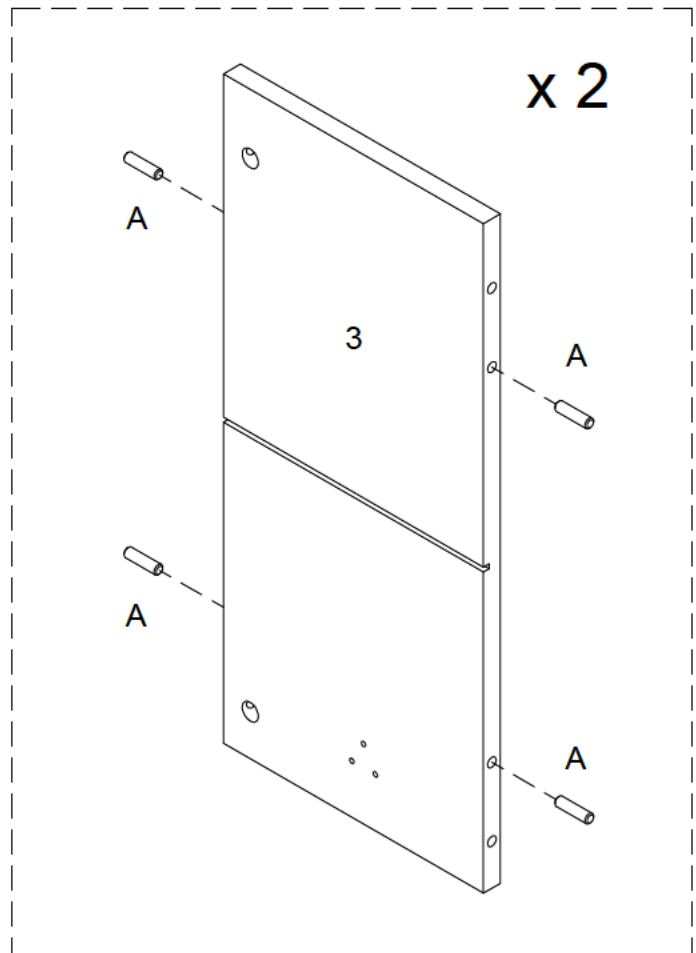
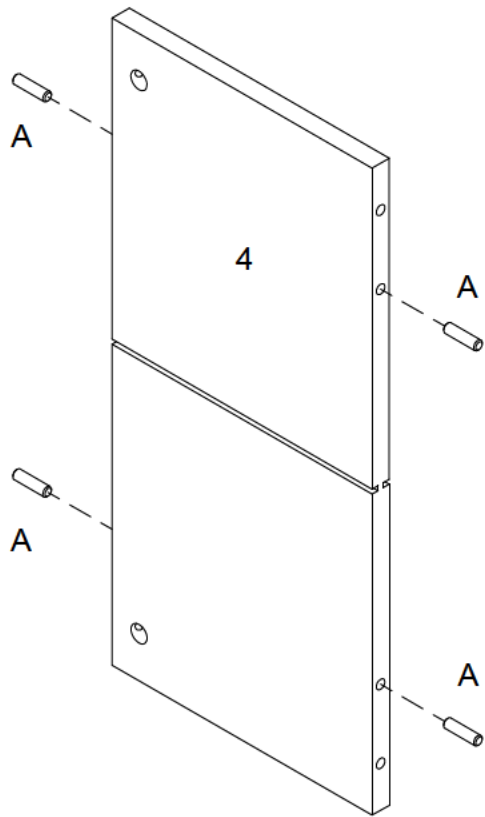
A		Ø8x30mm	Wooden dowel	12 pcs
B		Ø6x35mm	Cam bolt	6 pcs
C		Ø15x11mm	Cam lock	6 pcs
D		Ø30mm	Sticker	6 pcs
E		Ø6x50mm	Screw	6 pcs
F		M 4	Hex Key	1 pc
G		Ø6x12mm	Bolt	12 pcs
H		Ø6x25mm	Bolt	6 pcs
J			Europe hinge	4 pcs
K		Ø3x12mm	Screw	4 pcs
L		Ø3.5x14mm	Screw	26 pcs
M			Door hinge	2 pcs
N			Knob	2 pcs
P			Glue tube	1 pc



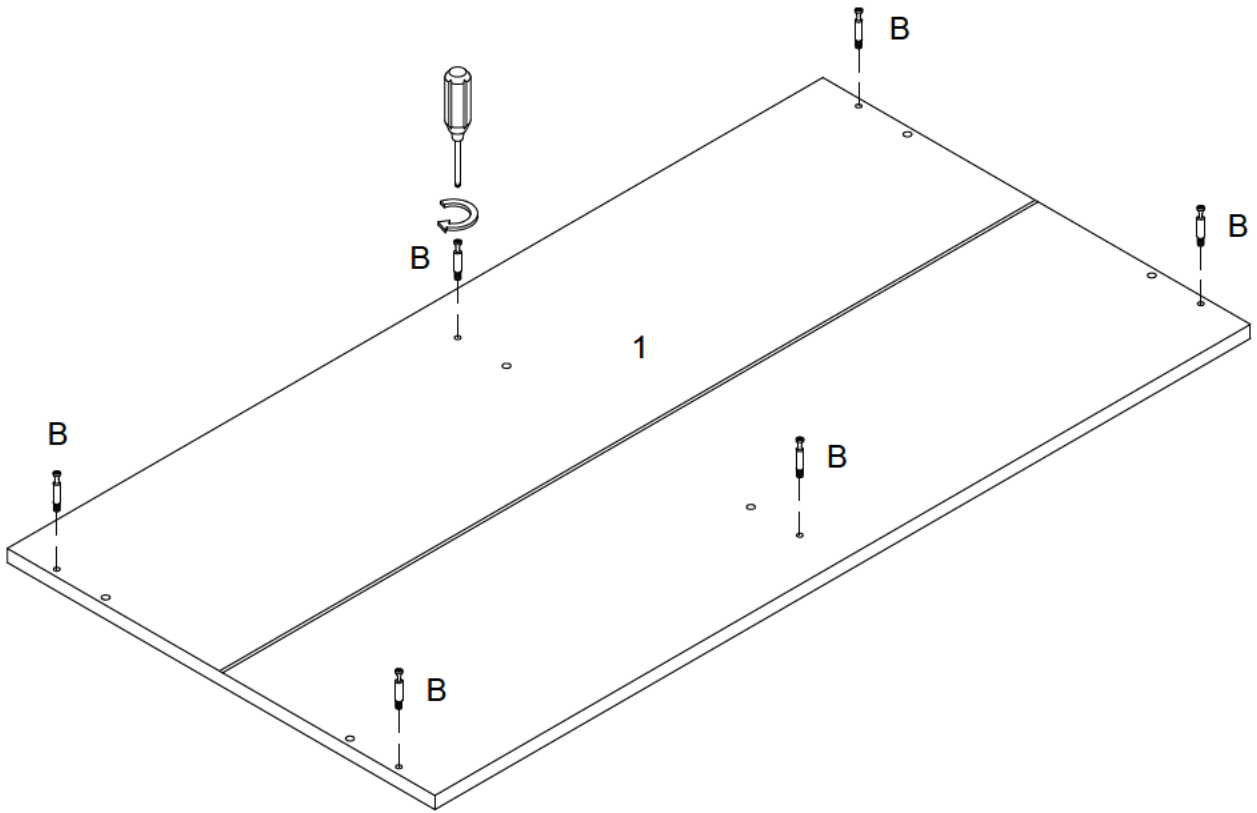
Philips head screwdriver required for assembly
(not included)

*The hardware quantities listed above are required for proper assembly.
Some extra hardware may also have been included.*

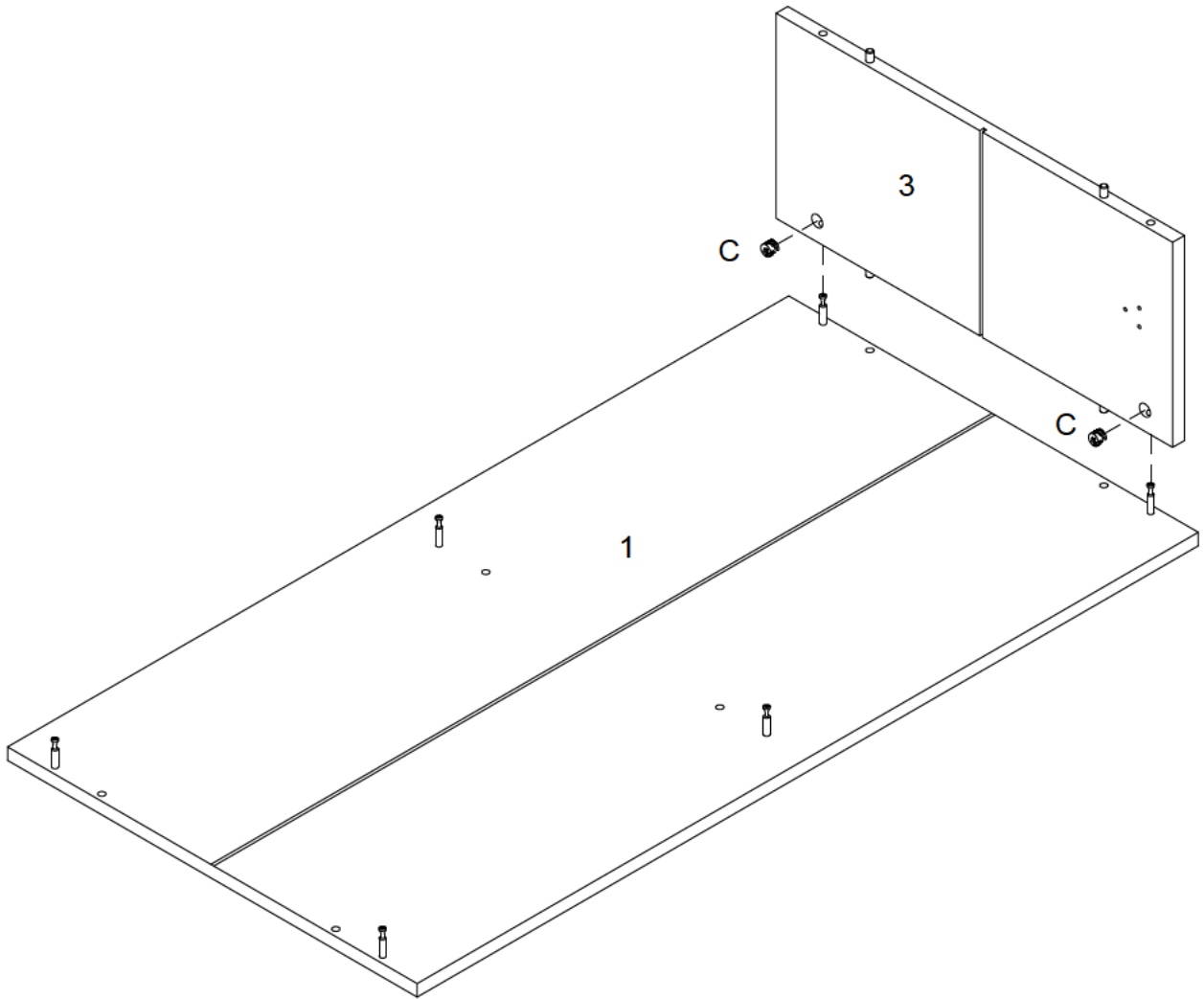
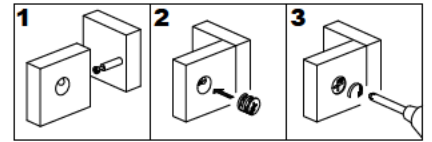
Step 1



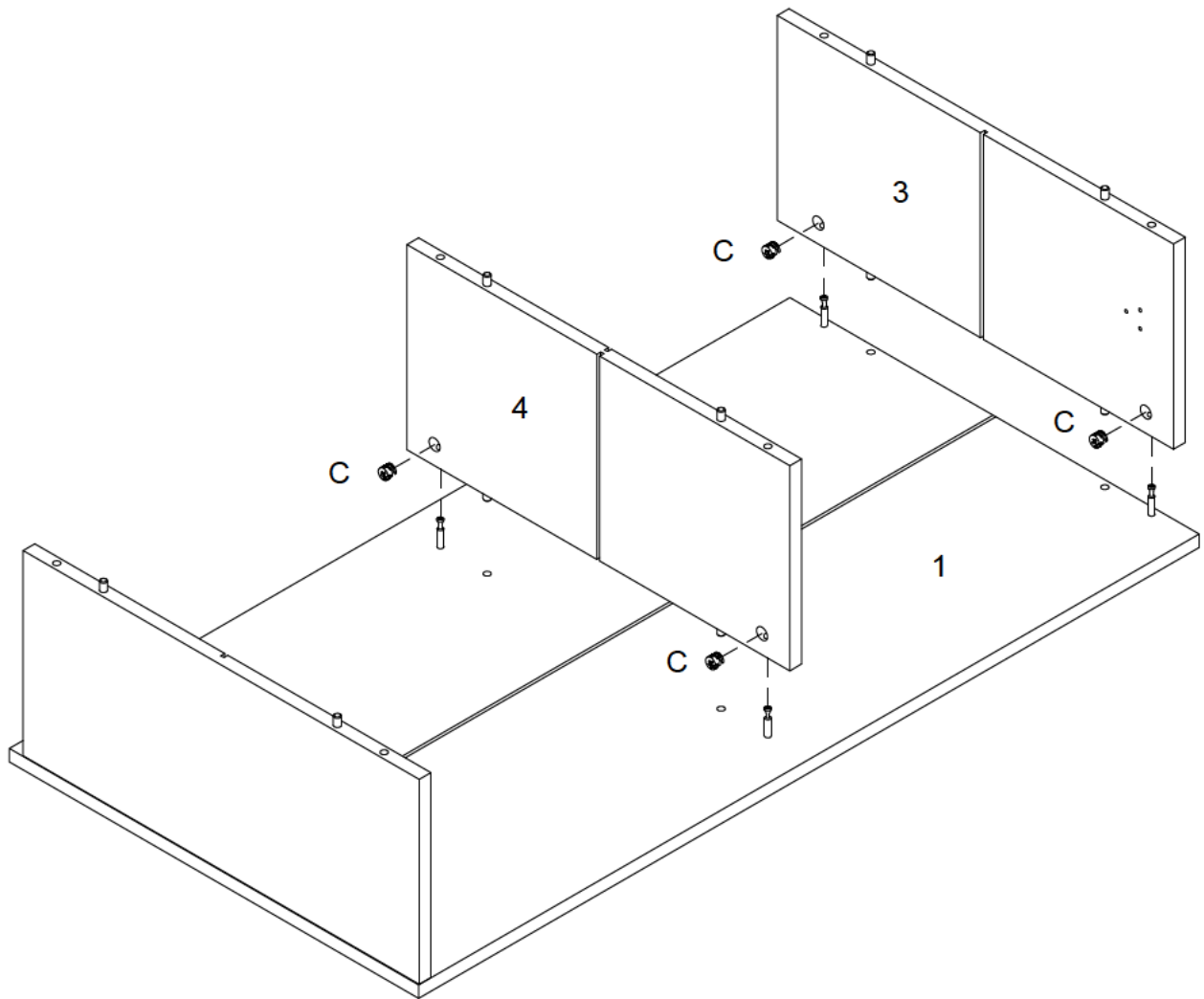
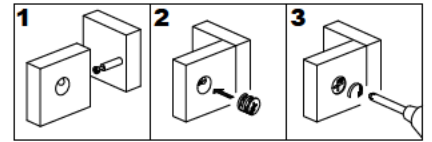
Step 2



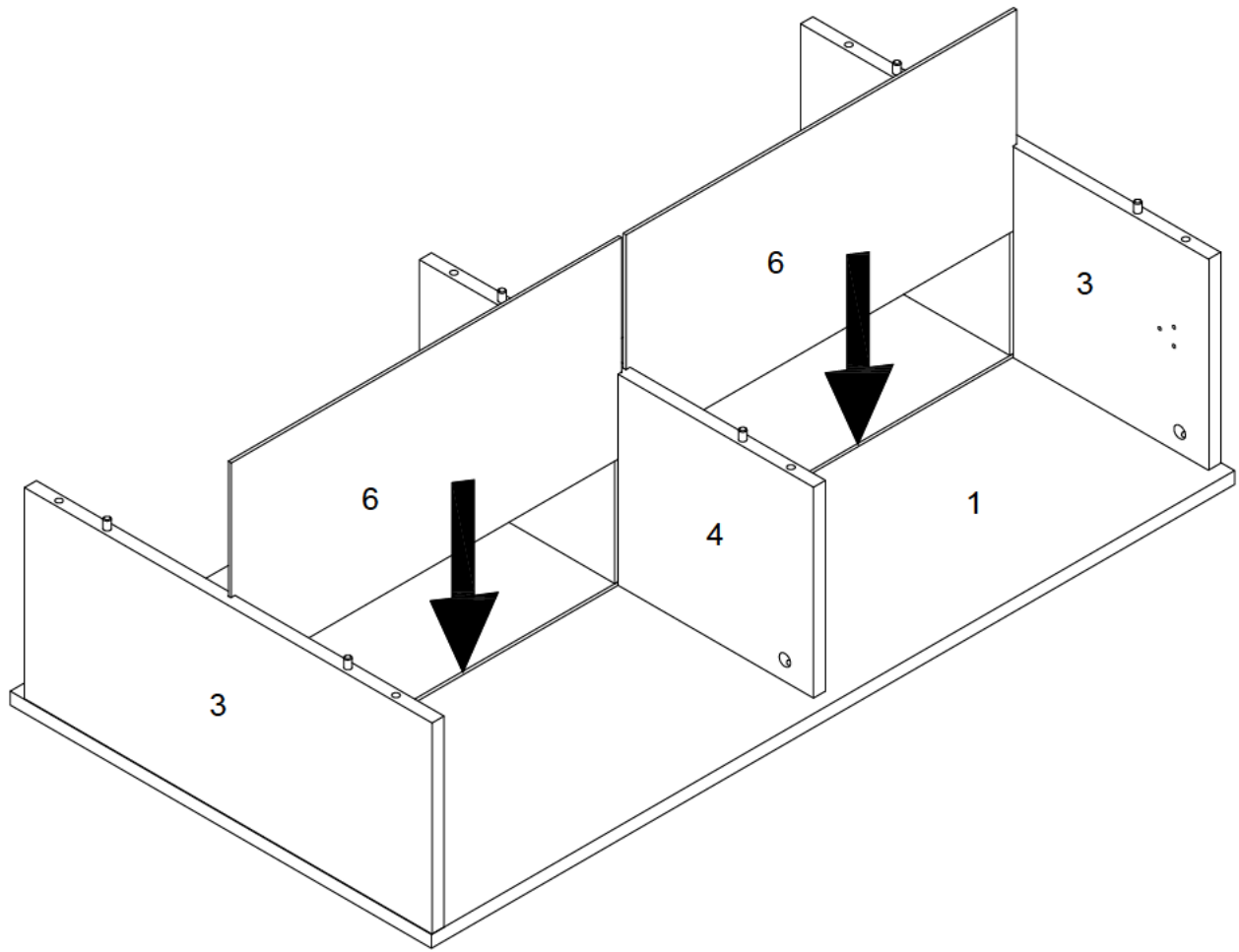
Step 3



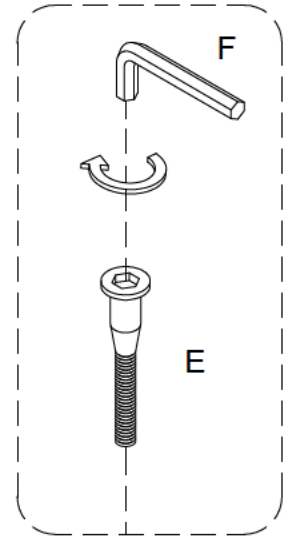
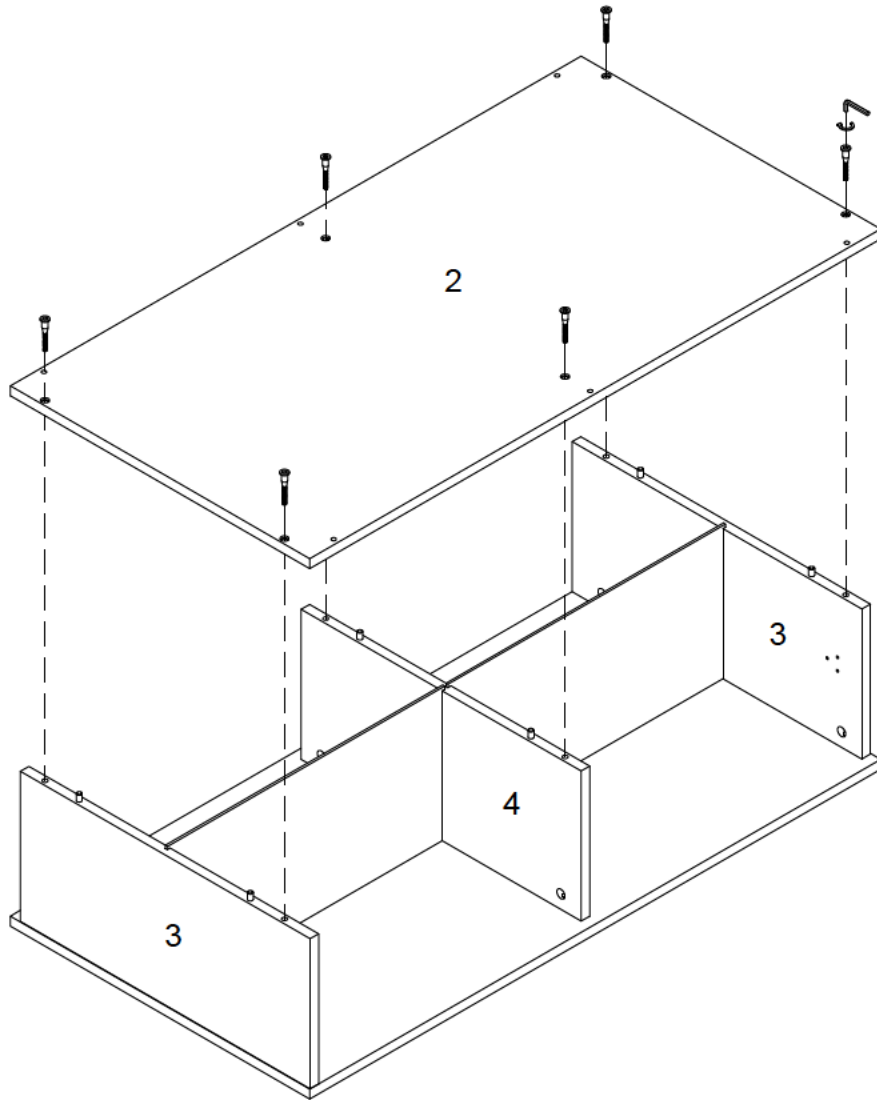
Step 4



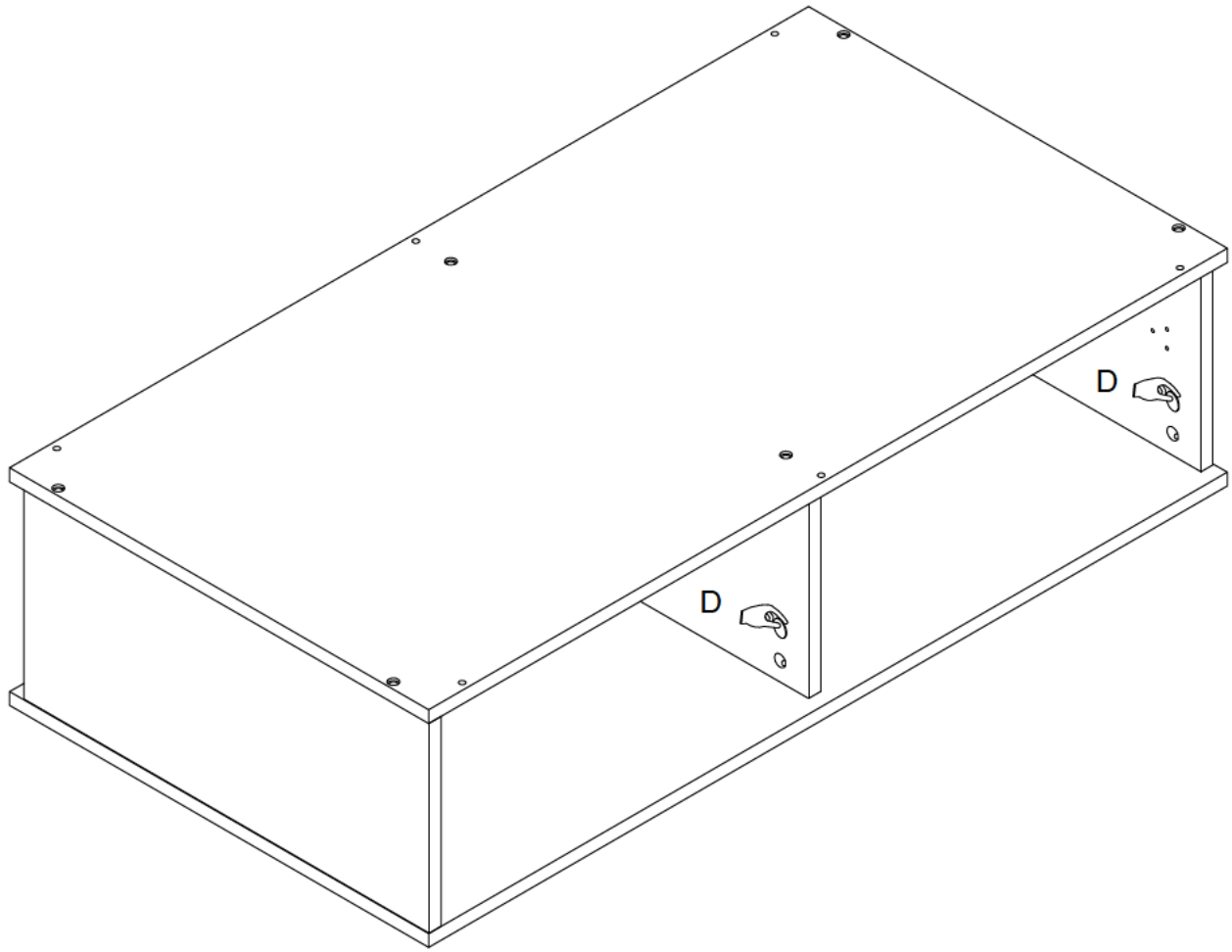
Step 5



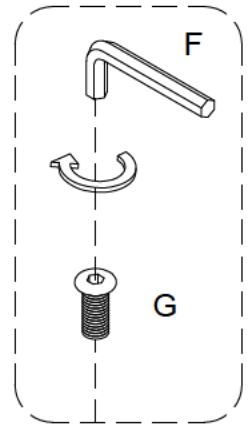
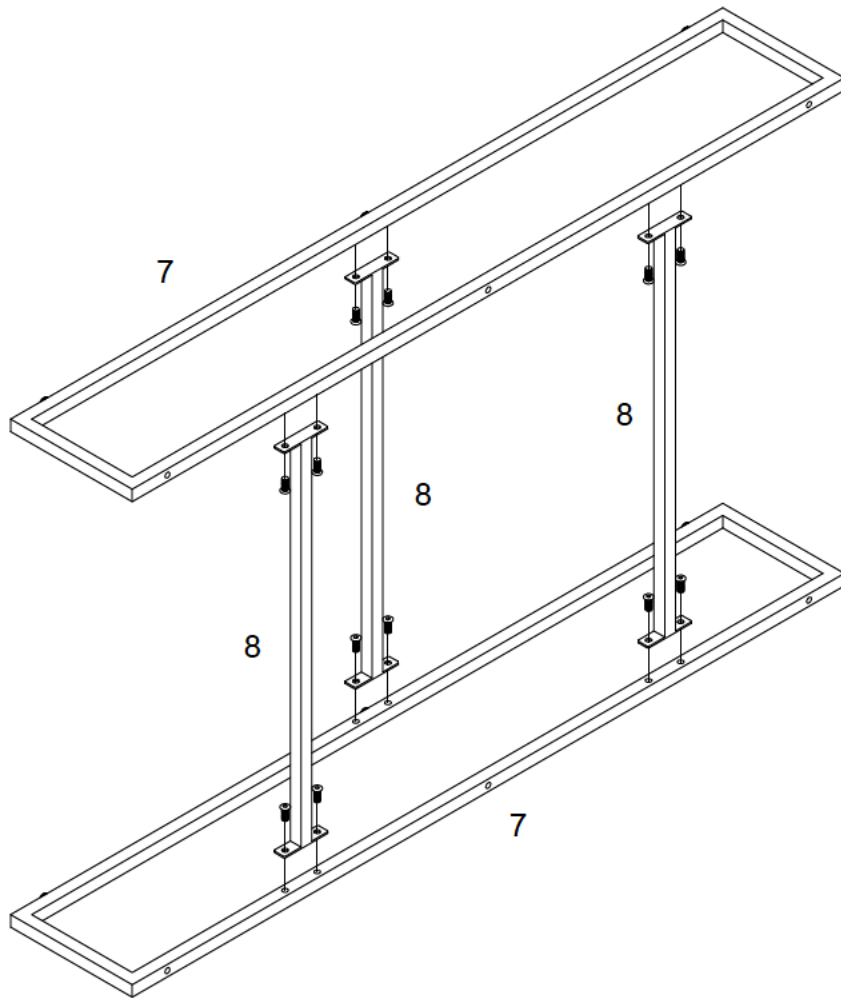
Step 6



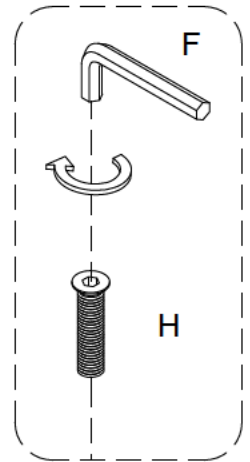
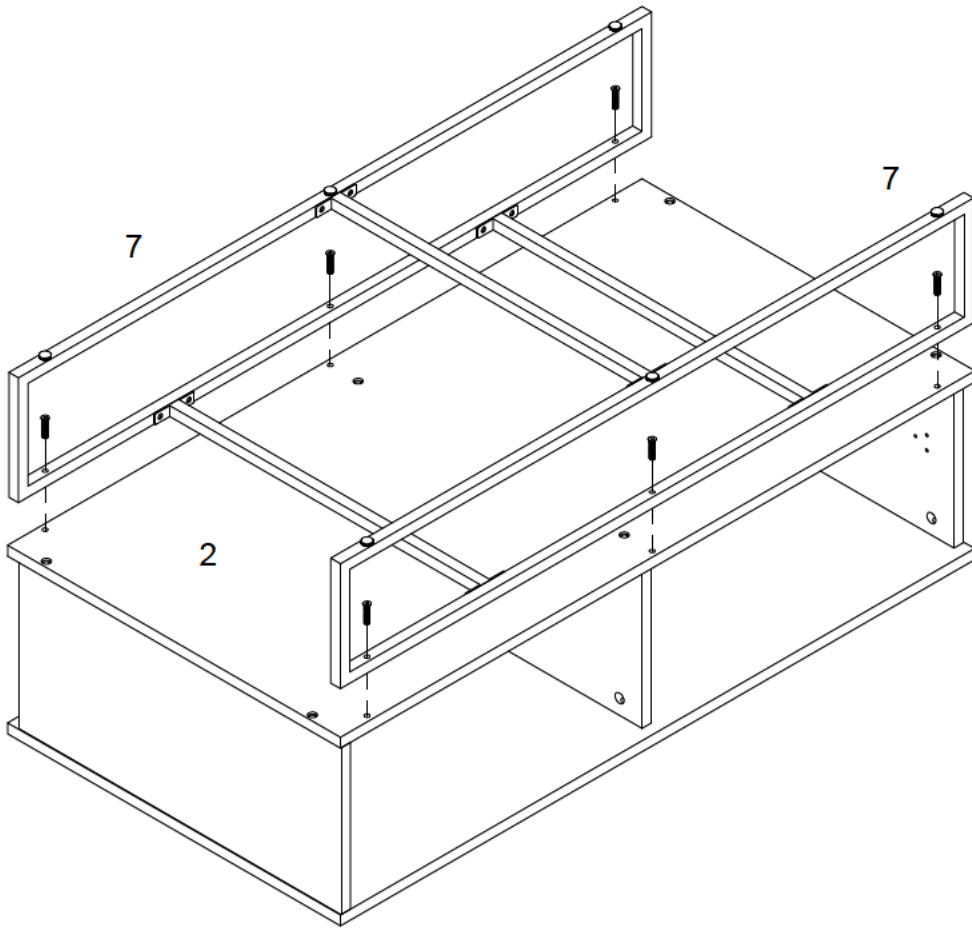
Step 7



Step 8

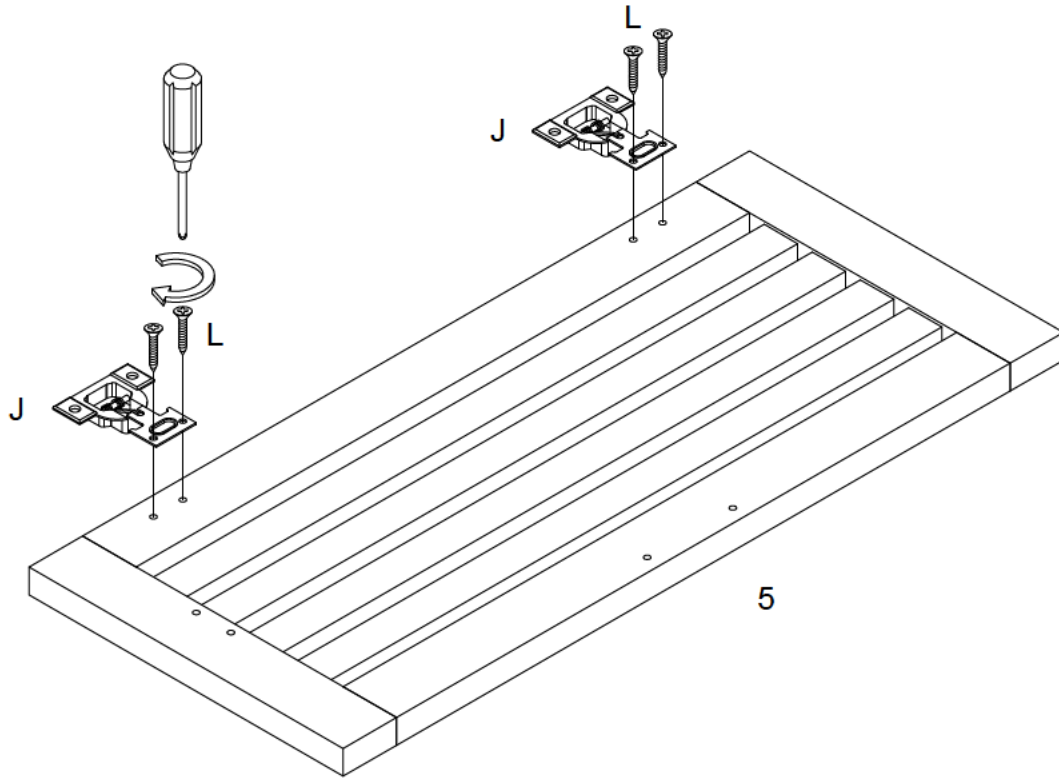


Step 9



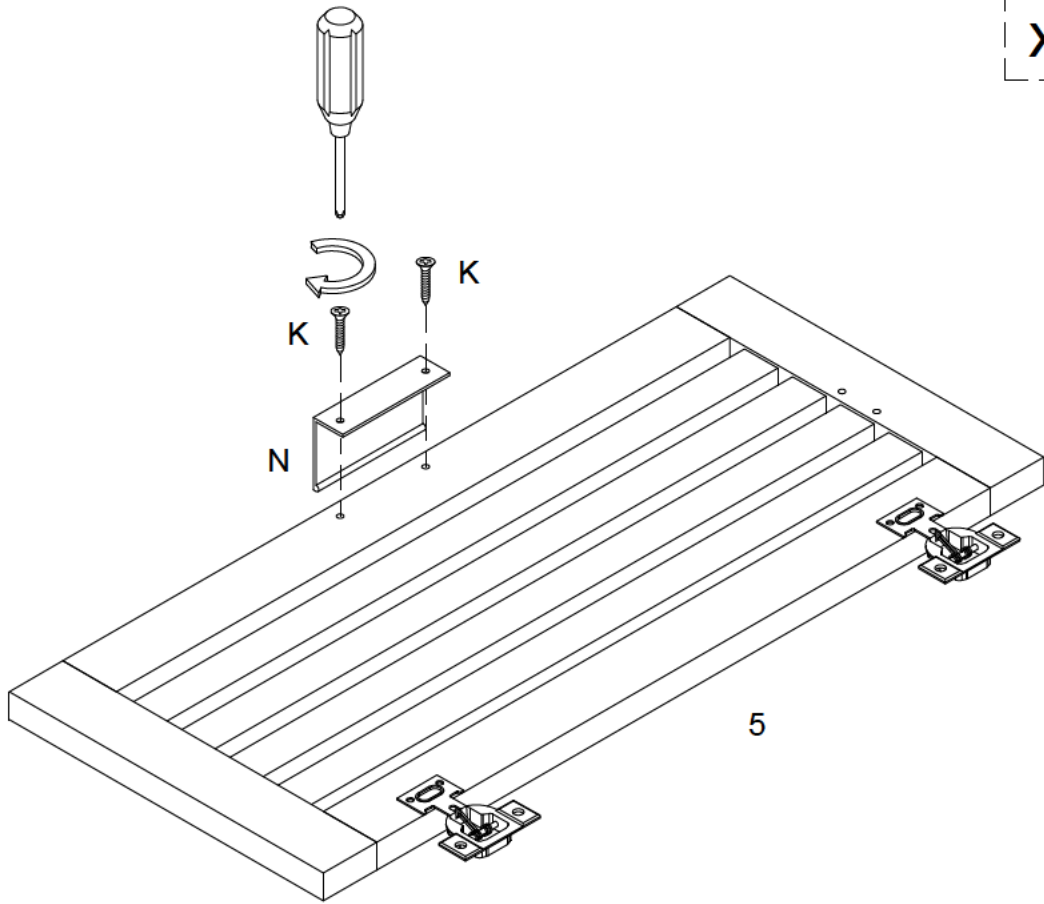
Step 10

x 2

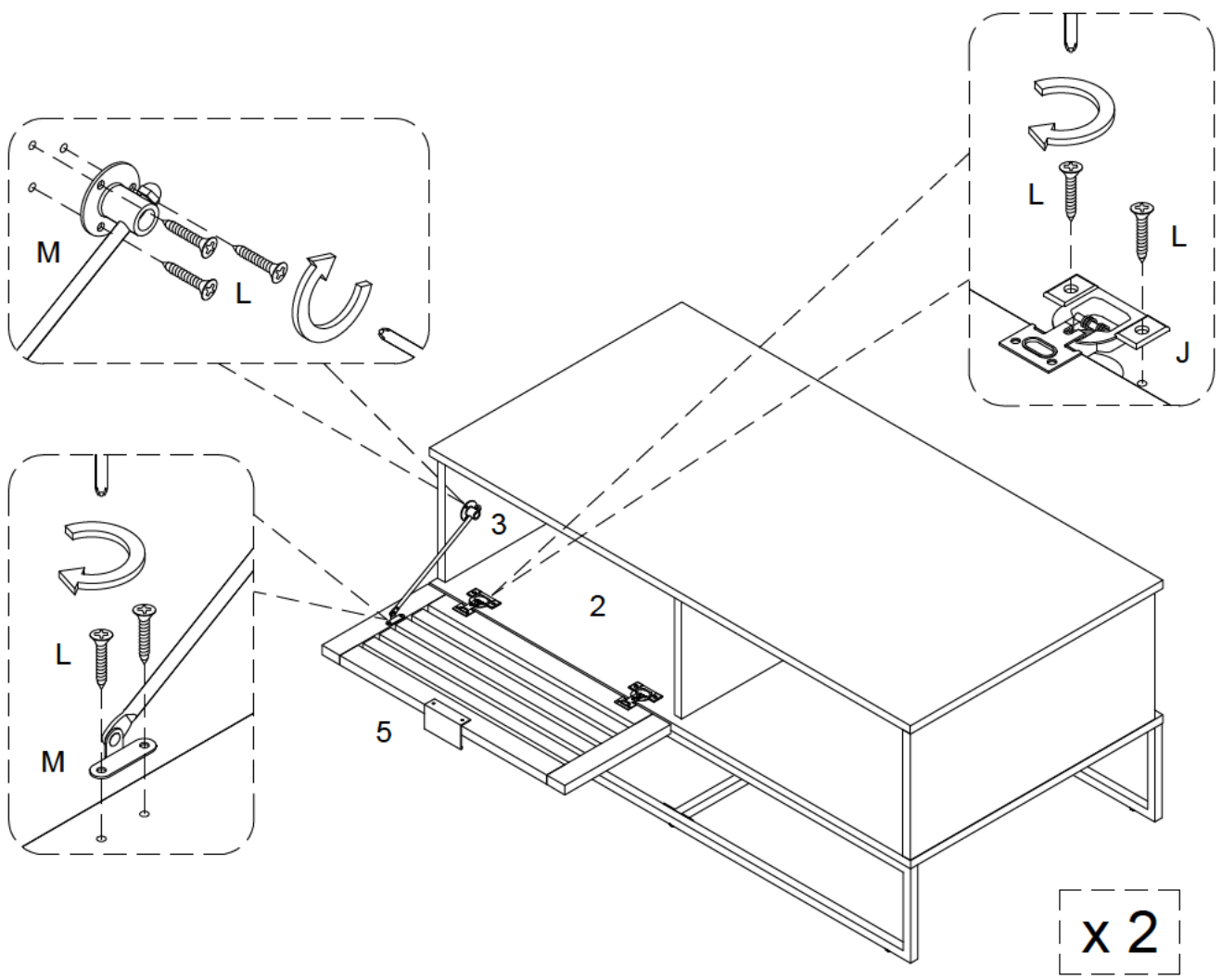


Step 11

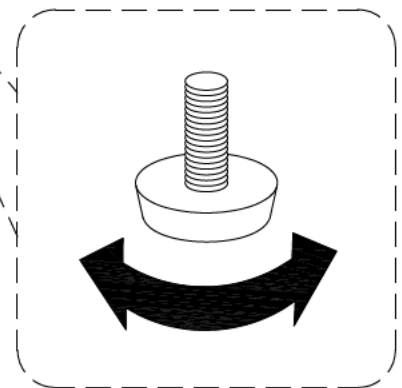
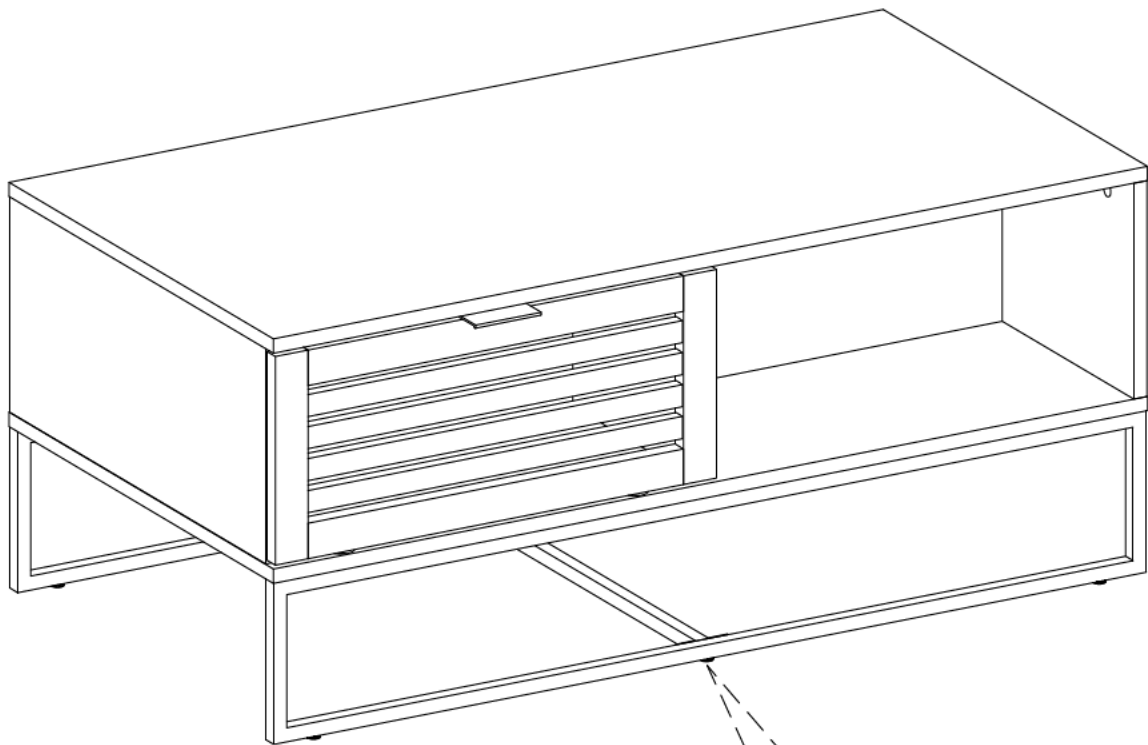
x 2



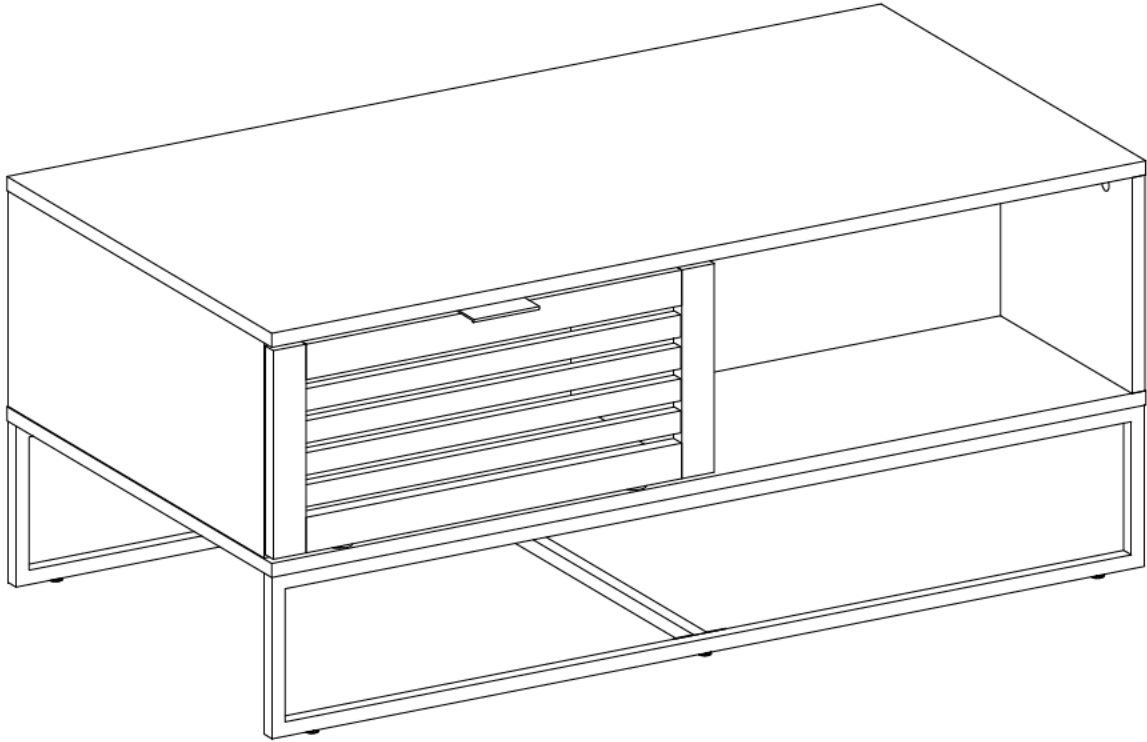
Step 12



Step 13



Step 14



Final Assembly