

# ASSEMBLY INSTRUCTION

Thank you for purchasing our product. Please refer and use this assembly instruction to assemble the product.

Contact our customer service department in case there are any missing or damage parts or hardware.

Replacement parts are normally shipped within 2 or 3 days.

**PRODUCTS PURCHASED THROUGH OUR AUTHORIZED VENDORS ONLY ARE ELIGIBLE FOR REPLACEMENT PARTS**

We appreciate your business!

**THIS PRODUCT IS FOR INDOOR AND HOUSEHOLD USE ONLY- NOT FOR COMMERCIAL USE.**

## Upholstered Bed Frame

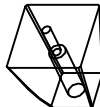
- |                    |                     |                     |                      |                      |
|--------------------|---------------------|---------------------|----------------------|----------------------|
| <b>A</b> Footboard | <b>B</b> Side Rails | <b>C</b> Wooden Leg | <b>D</b> Support Leg | <b>E</b> Wooden Slat |
|--------------------|---------------------|---------------------|----------------------|----------------------|



1 pc



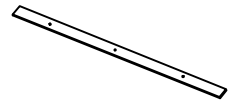
2 pcs



2 pcs



6 pcs



3 pcs

- |                |                              |                              |                      |                      |
|----------------|------------------------------|------------------------------|----------------------|----------------------|
| <b>F</b> Screw | <b>G</b> Bolt<br>1/4" x 75mm | <b>H</b> Bolt<br>1/4" x 50mm | <b>I</b> Flat Washer | <b>J</b> Lock Washer |
|----------------|------------------------------|------------------------------|----------------------|----------------------|



12 pcs



2 pcs



6 pcs



8 pcs

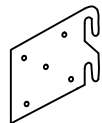


8 pcs

- |                       |                    |                      |
|-----------------------|--------------------|----------------------|
| <b>K</b> Allen Wrench | <b>L</b> Hook/Claw | <b>M</b> Brass Screw |
|-----------------------|--------------------|----------------------|



1 pc

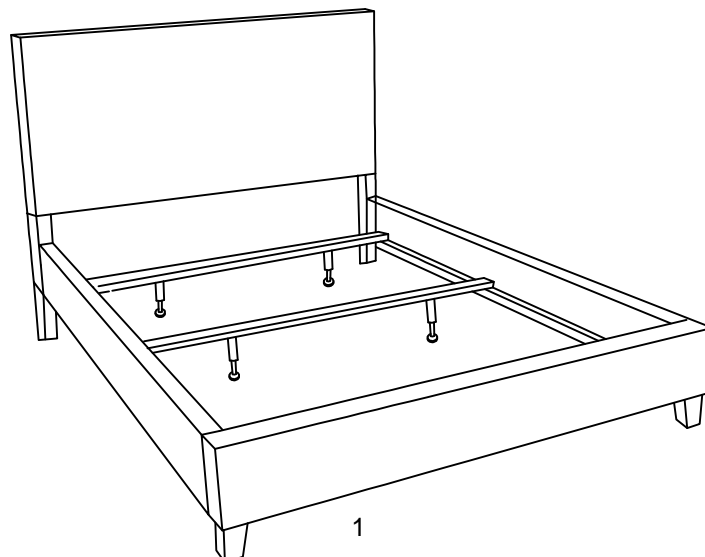


4 pcs

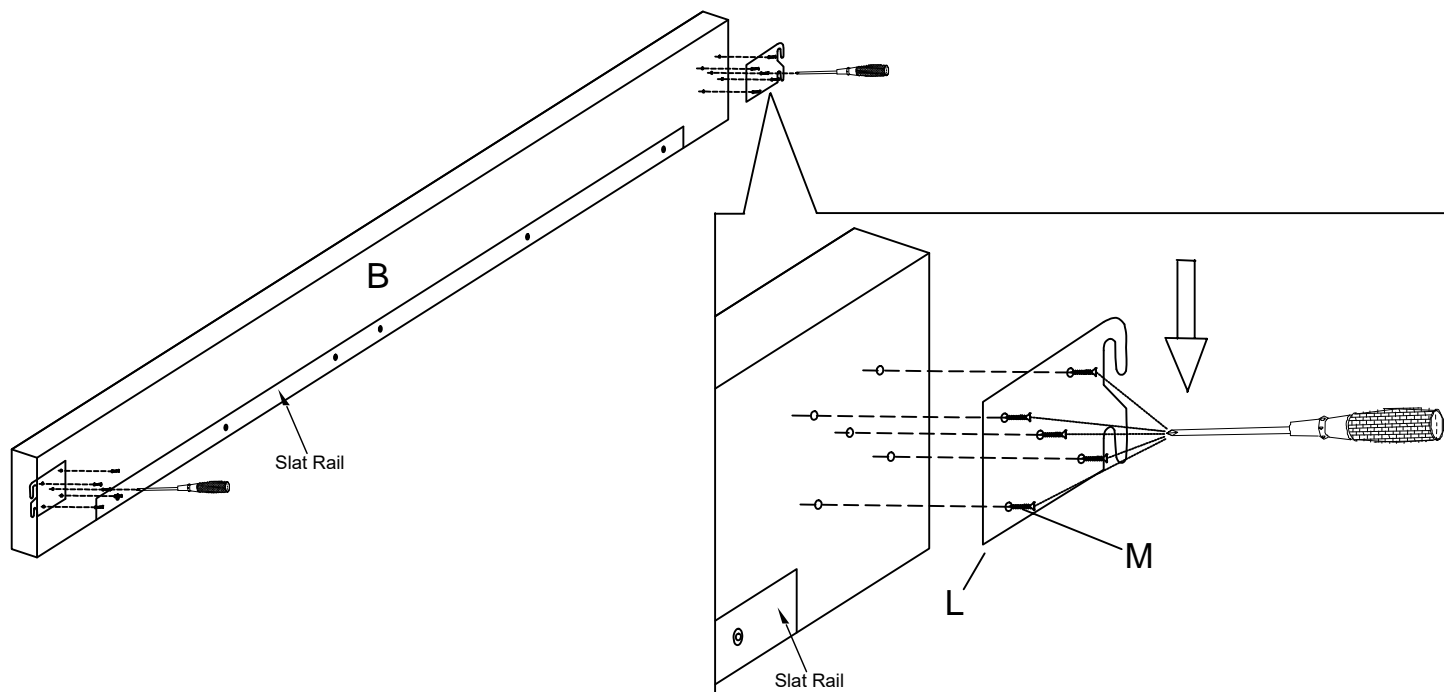


20 pcs

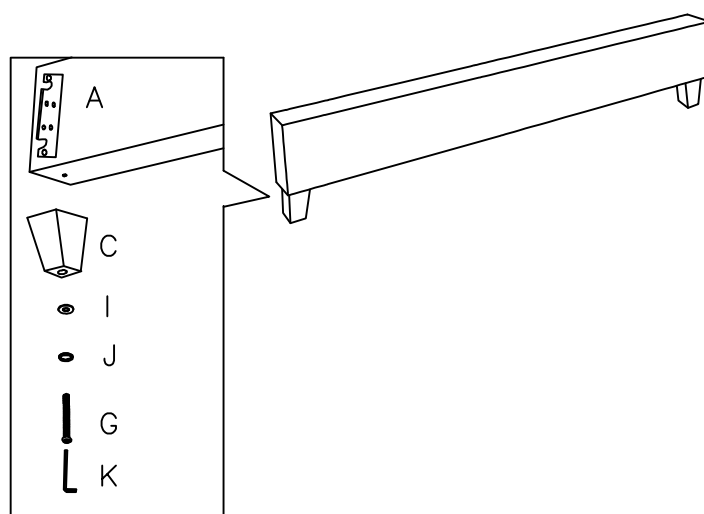
This page lists all the contents included in the box. Please take the time to identify the hardware as well as the individual components to this product. As you unpack and prepare for assembly, place the contents on a carpeted or padded area to protect them from damage.



- 1** Align the screw holes on Hook/Claw (L) to the pilot holes on Side Rail (B) and use Brass Screw (M) to fasten (L) to (B). Do not tighten (M) completely until all of the screws are in place.

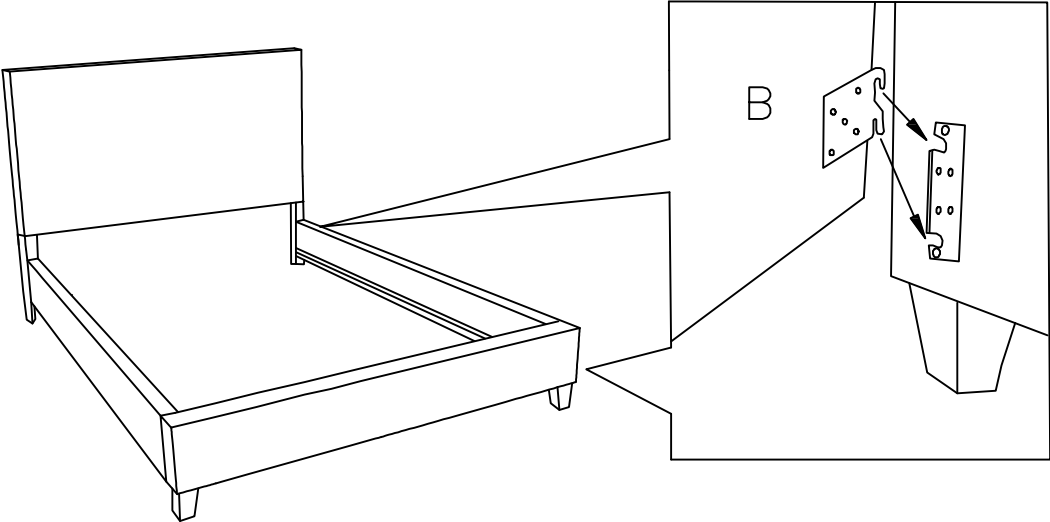
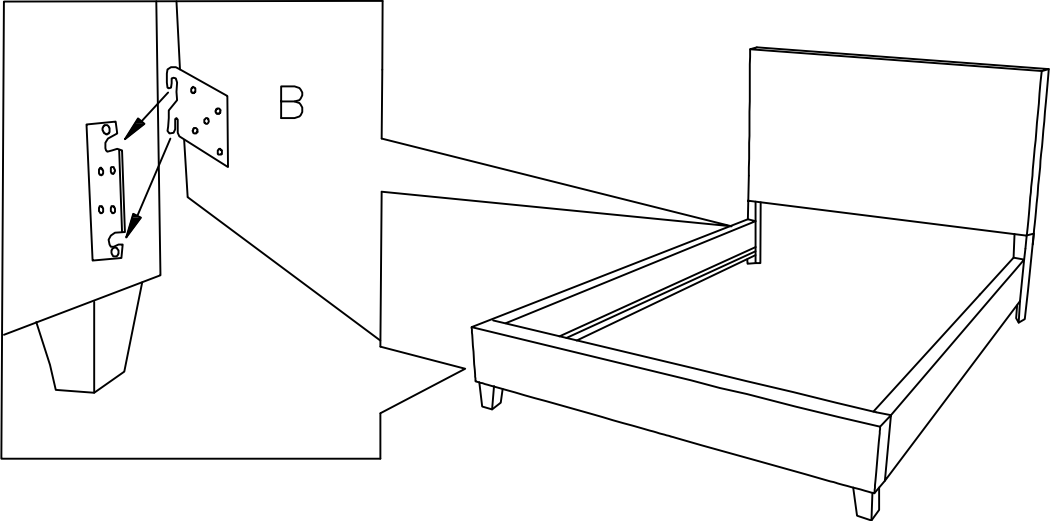


- 2** Attached Wooden Leg(C) to the Footboard(A) use Bolt(G), Lock Washer(J) and Flat Washer(I) on both of holes. Turn the Allen Wrench(K) in Bolt(G).



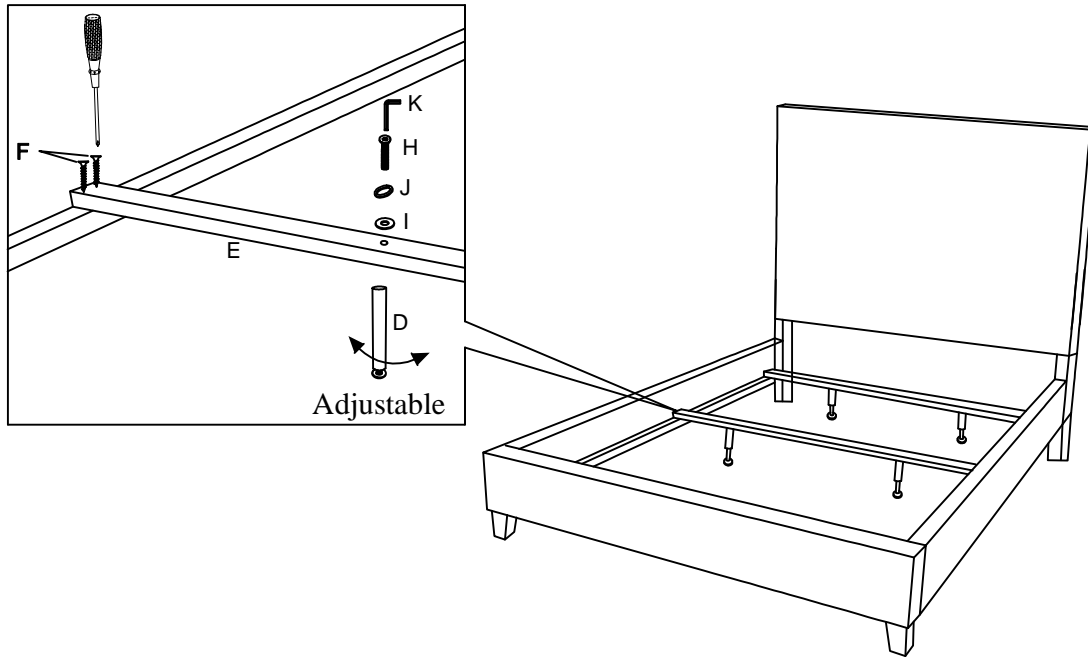
3

Attached Side Rail(B) to the Headboard and Footboard(A).



4

Assembly Wooden Slats(E) and Support Leg (D)  
as showing.



### Care

Wipe clean with a soft, dry cloth. Avoid the use of harsh chemicals and household cleaners as they may damage the finish. Hardware may loosen over time. Periodically check that all connections are tight. Solid wood is impacted by heat and humidity fluctuations and may result in small joint separations or hairline cracks. Protect your furniture by avoiding direct contact with air conditioning units or heating vents.