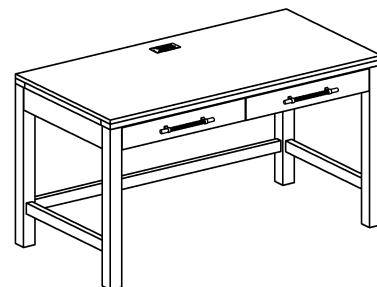


# Home office Assembly Instructions

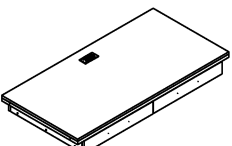
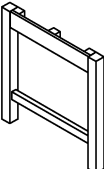
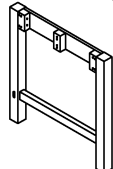

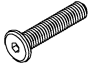


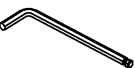



- Be sure to check all packing material carefully for small parts, which may have come loose inside the carton during shipment.
- To prevent possible scratches and damage, this furniture **MUST BE ASSEMBLED BY TWO PEOPLE** on a soft surface such as a blanket or carpet.



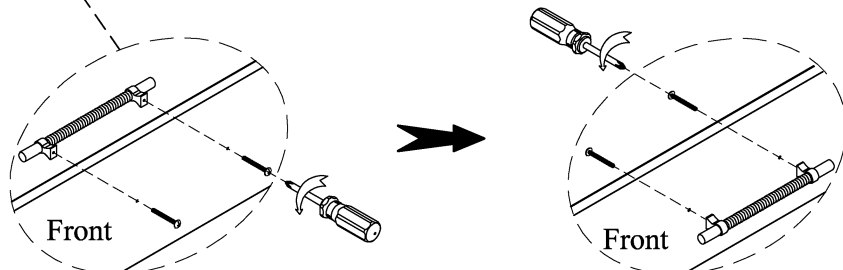
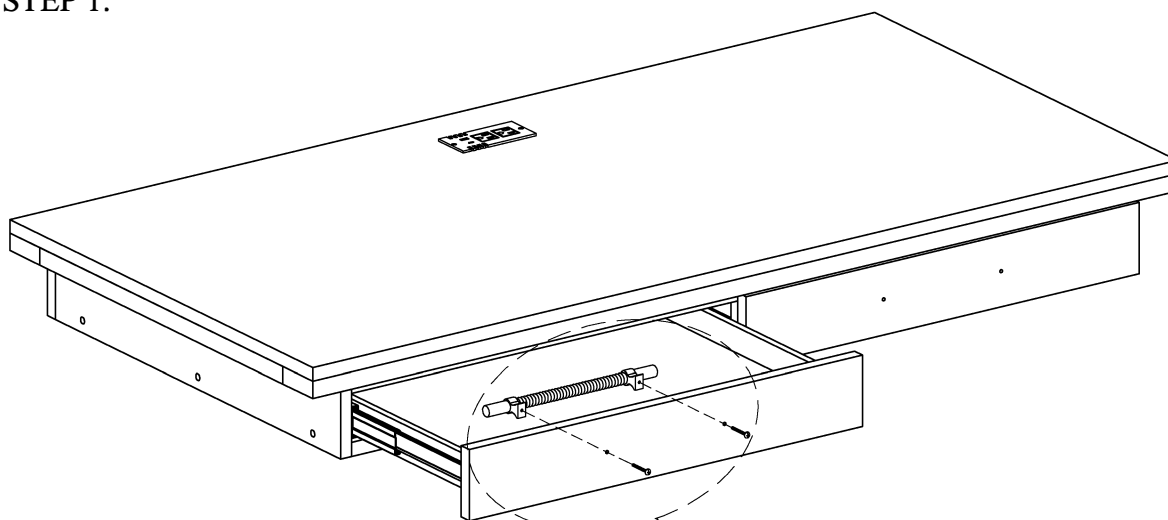
Writing  
Desk

**Important Use Information:** We recommend using coasters, placemats and trivets when placing hot or cold containers on this item. It is also recommended to quickly cleanup any spills to minimize exposure to moisture. Doing so will prolong the life and look of the item for many years.

## Components and Hardware List

|   |  |  |  |  |  |  |   |  |   |  |
|---|--|--|--|--|--|--|---|--|---|--|
| <br>Top Assembly<br>1 pc. <b>(A)</b> | <br>Leg Assembly (Left)<br>1 pc. <b>(B)</b> | <br>Leg Assembly (Right)<br>1 pc. <b>(C)</b> | <br>Stretcher<br>1 pc. <b>(D)</b> | Allen Head Bolt<br>M6-32 x 40mm<br><br>12 pcs. <b>(E)</b> | Lock Washer<br>Ø9 x Ø13mm<br><br>12 pcs. <b>(F)</b> | Flat Washer<br>Ø8 x Ø16mm<br><br>12 pcs. <b>(G)</b> | Allen Key<br>4 x 110mm<br><br>1 pc. <b>(H)</b> | Wood Screw<br>Ø4 x 50mm<br><br>2 pcs. <b>(I)</b> | Furniture Tipping<br>Restraint Kit<br><br>1 pc. <b>(J)</b> | Tool Required<br>(not provided)<br>Phillips Screwdriver<br> |
|---|--|--|--|--|--|--|---|--|---|--|

**STEP 1:**

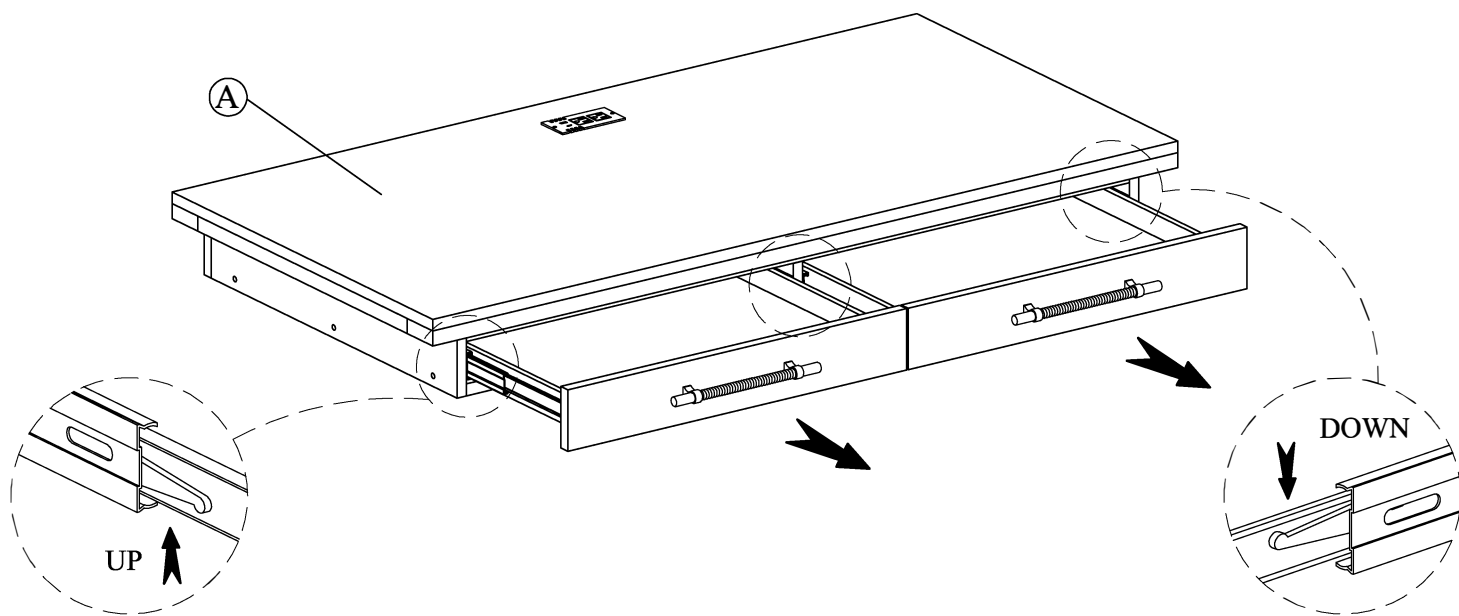


Remove Handle from  
inside drawer

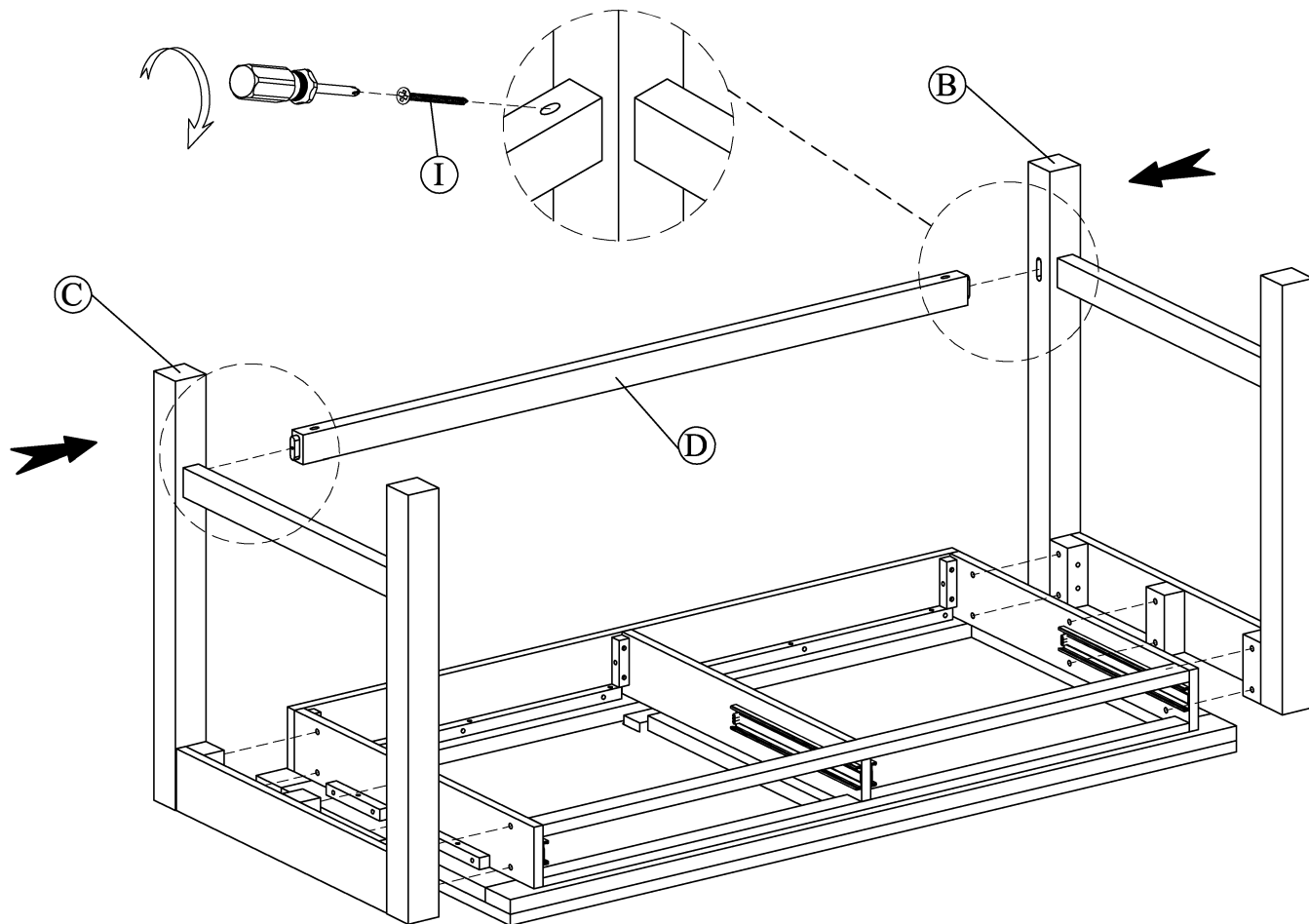
Reattach Handle to  
front of drawer

# Home office Assembly Instructions

Writing Desk

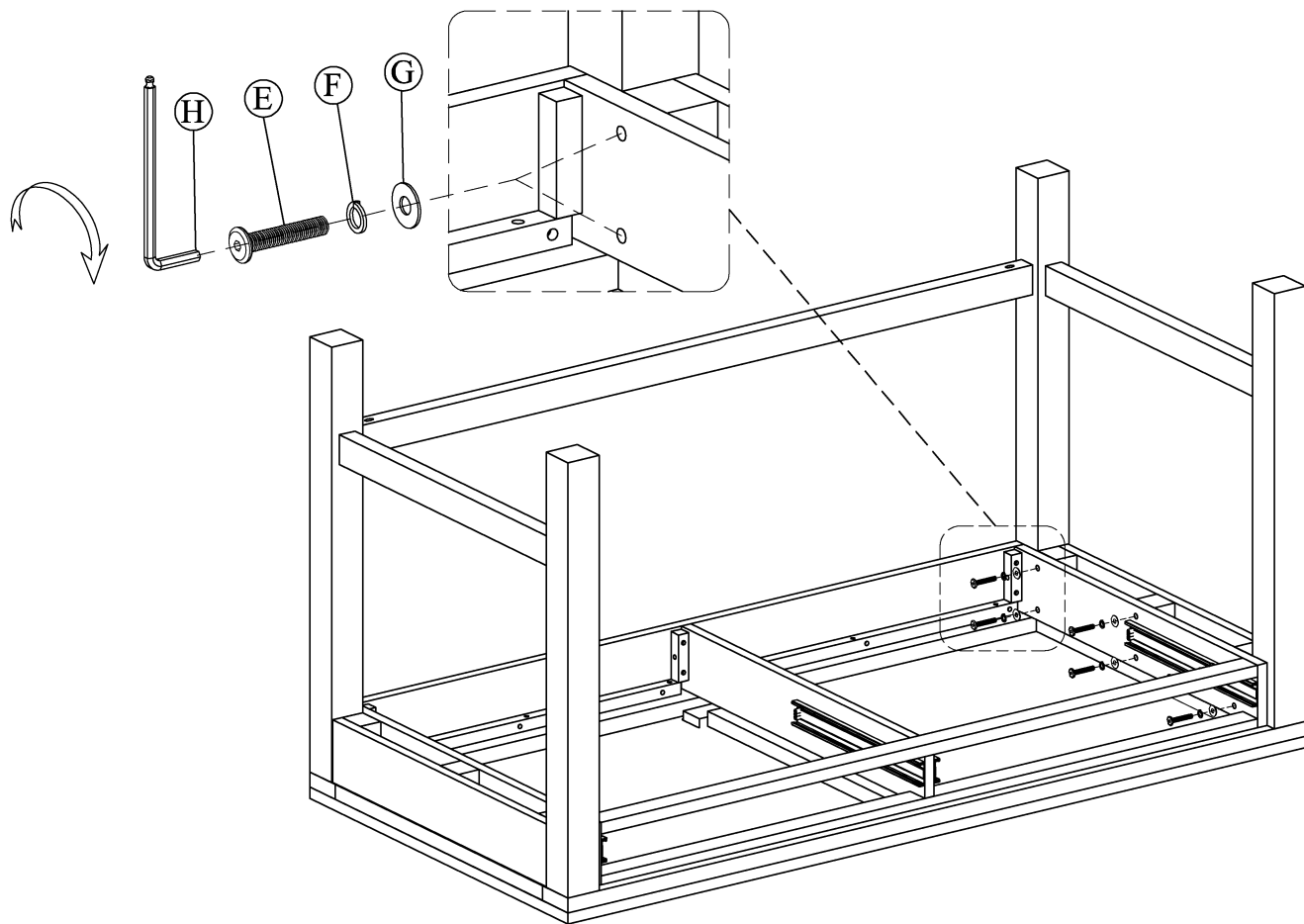


### STEP 3:

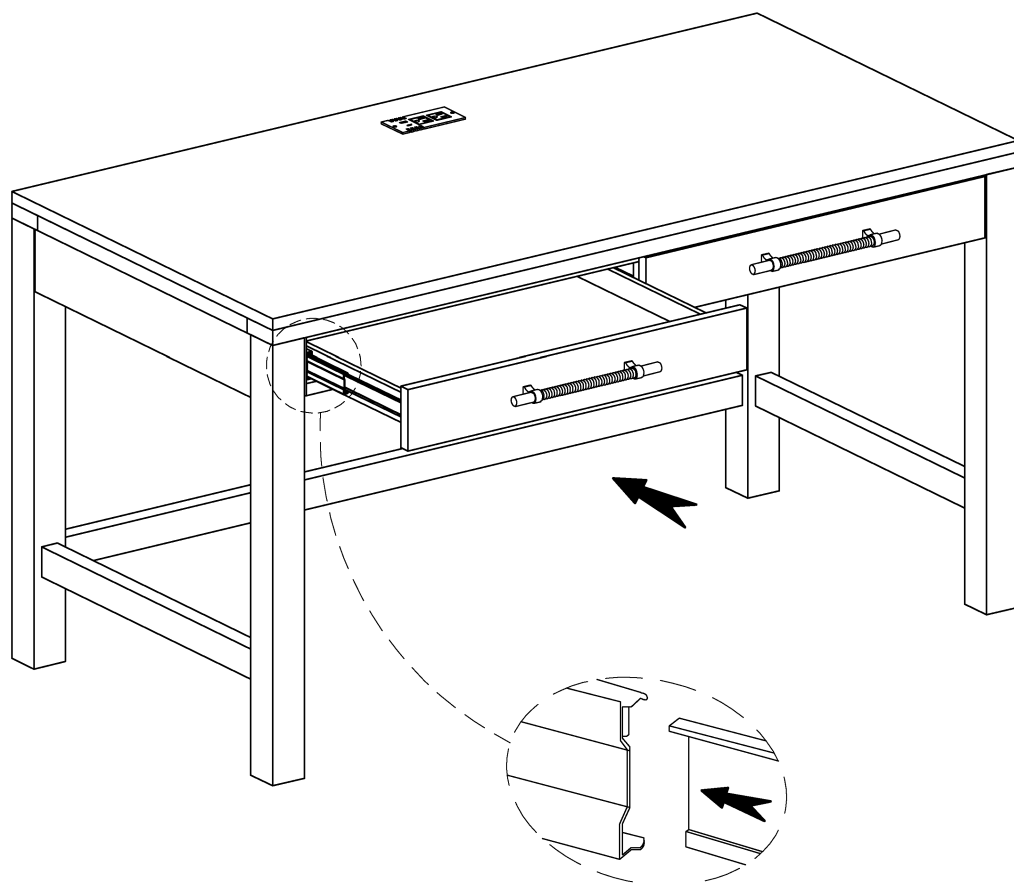


# Home office Assembly Instructions

Writing Desk



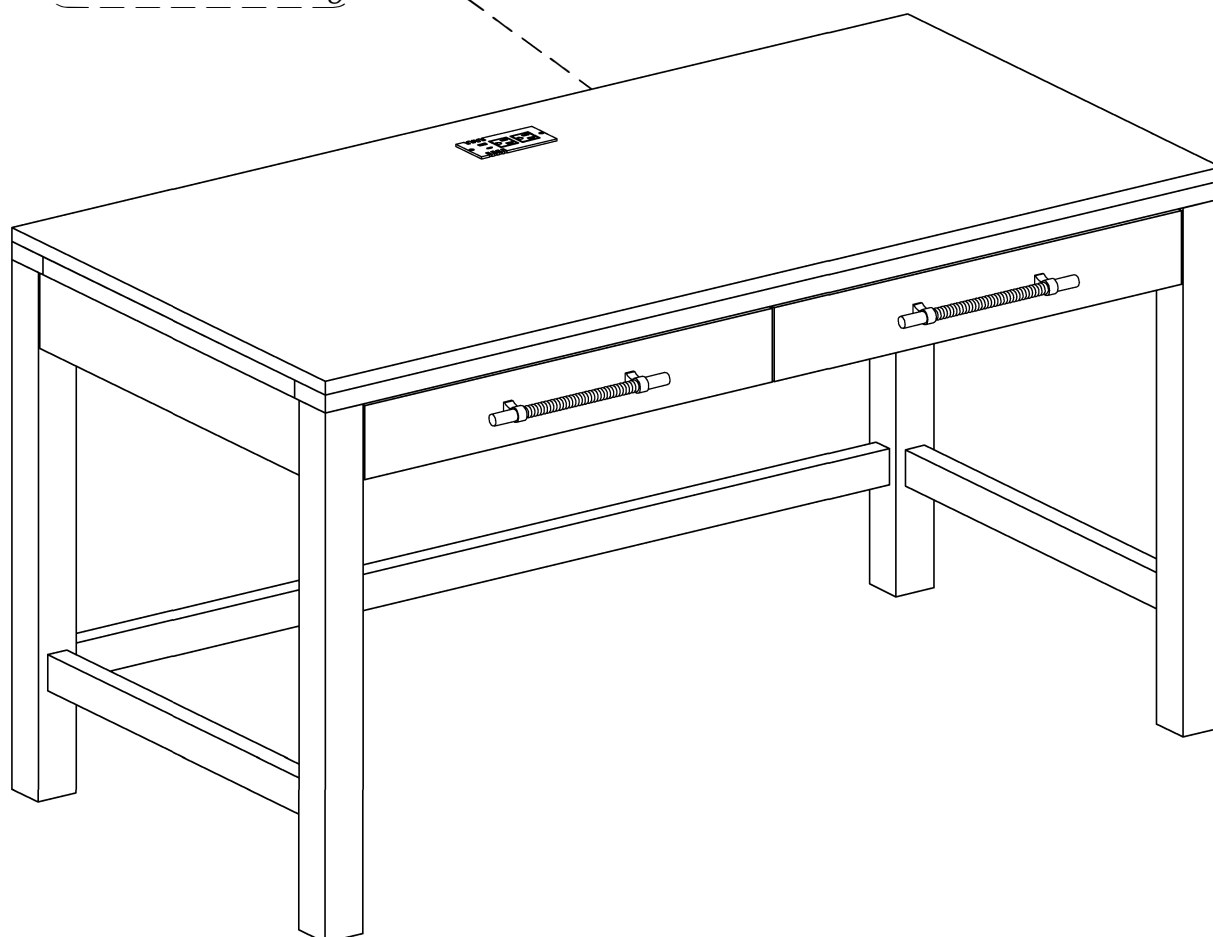
## STEP 5: Reattach Both Drawers



*Home office  
Assembly Instructions*

Writing Desk

## STEP 6:



For product and personal safety, a Furniture Tipping Restraint kit has been included with this unit which can help to minimize the risk of the unit accidentally tipping forward, if used and properly installed per the manufacturer's instructions.