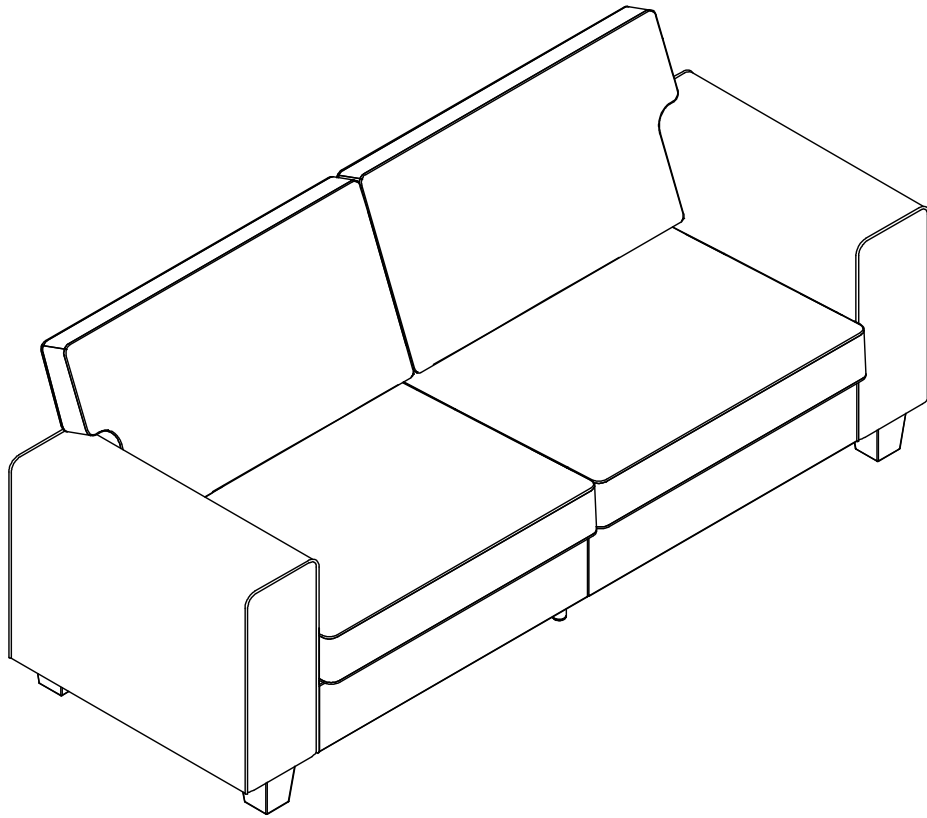
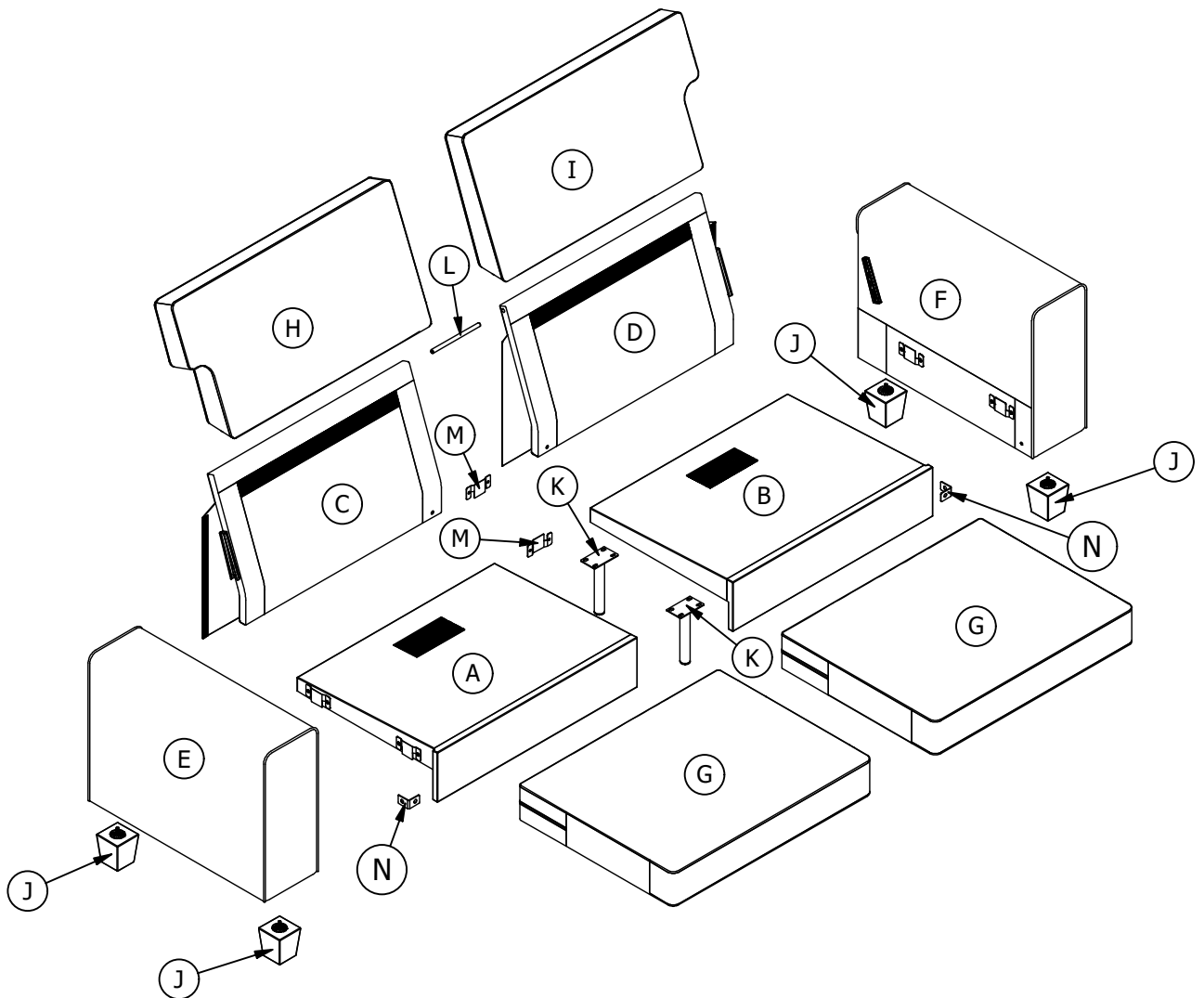


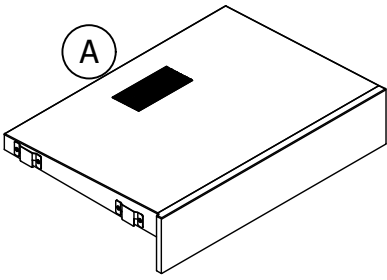
Assembly Instruction



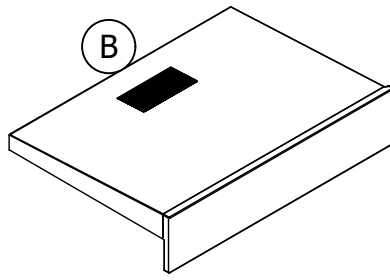
PARTS



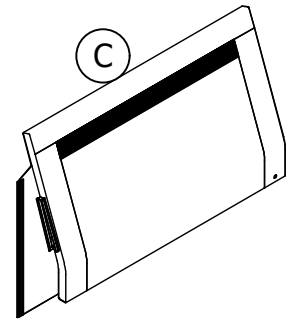
PARTS LIST



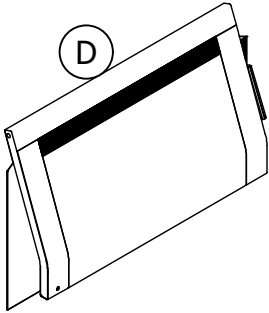
Left Seat Frame
X 1 PC



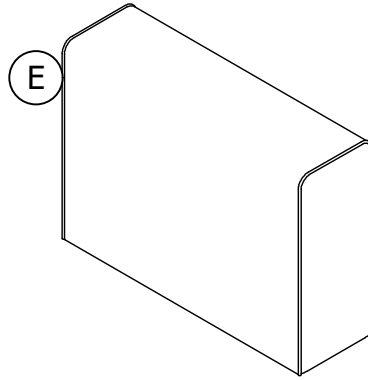
Right Seat Frame
X 1 PC



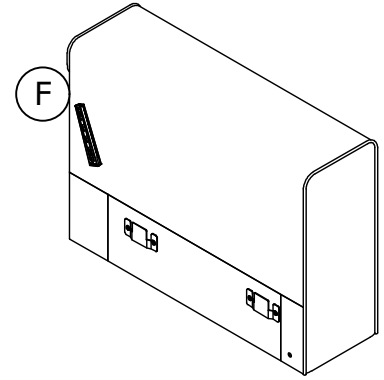
Left Back Frame
X 1 PC



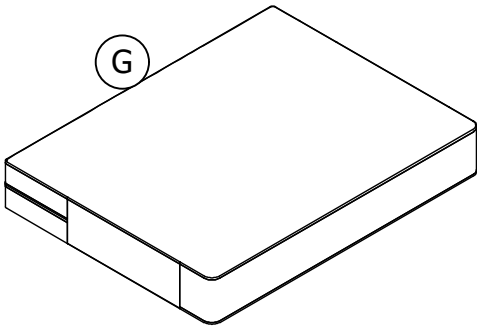
Right Back Frame
X 1 PC



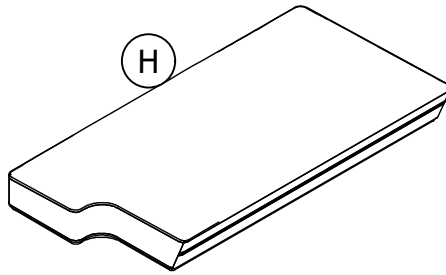
Left Armrest
X 1 PC



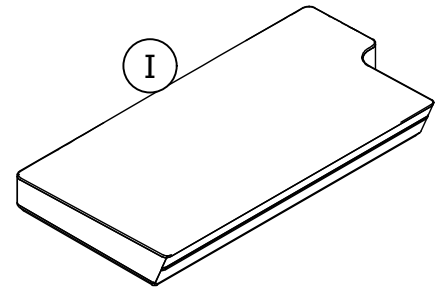
Right Armrest
X 1 PC



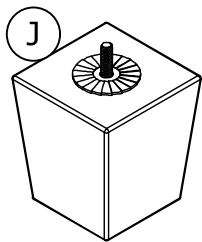
Seat Cushion
X 2 PCS



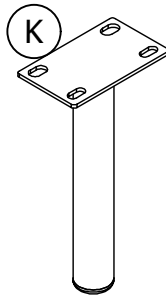
Left Back Cushion
X 1 PC



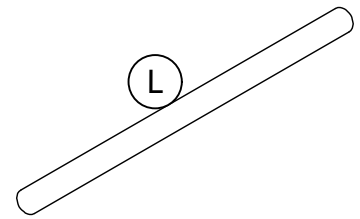
Right Back Cushion
X 1 PC



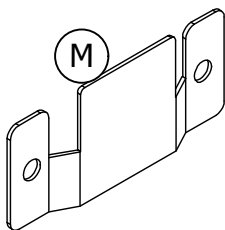
Leg
X 4 PCS



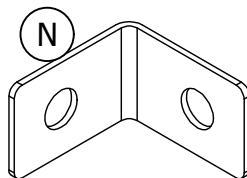
Middle Leg
X 2 PCS



Connector
X 1 PC

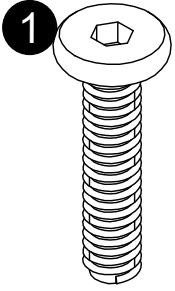


Plug-in
X 2 PCS

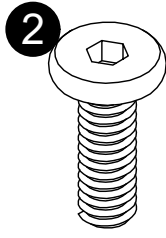


Bracket
X 2 PCS

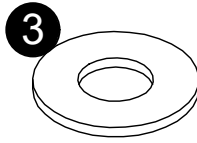
HARDWARE



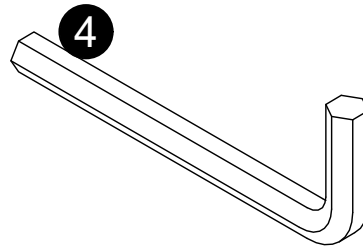
5/16" X 35mm Bolt
X 8



5/16" X 23mm Bolt
X 8



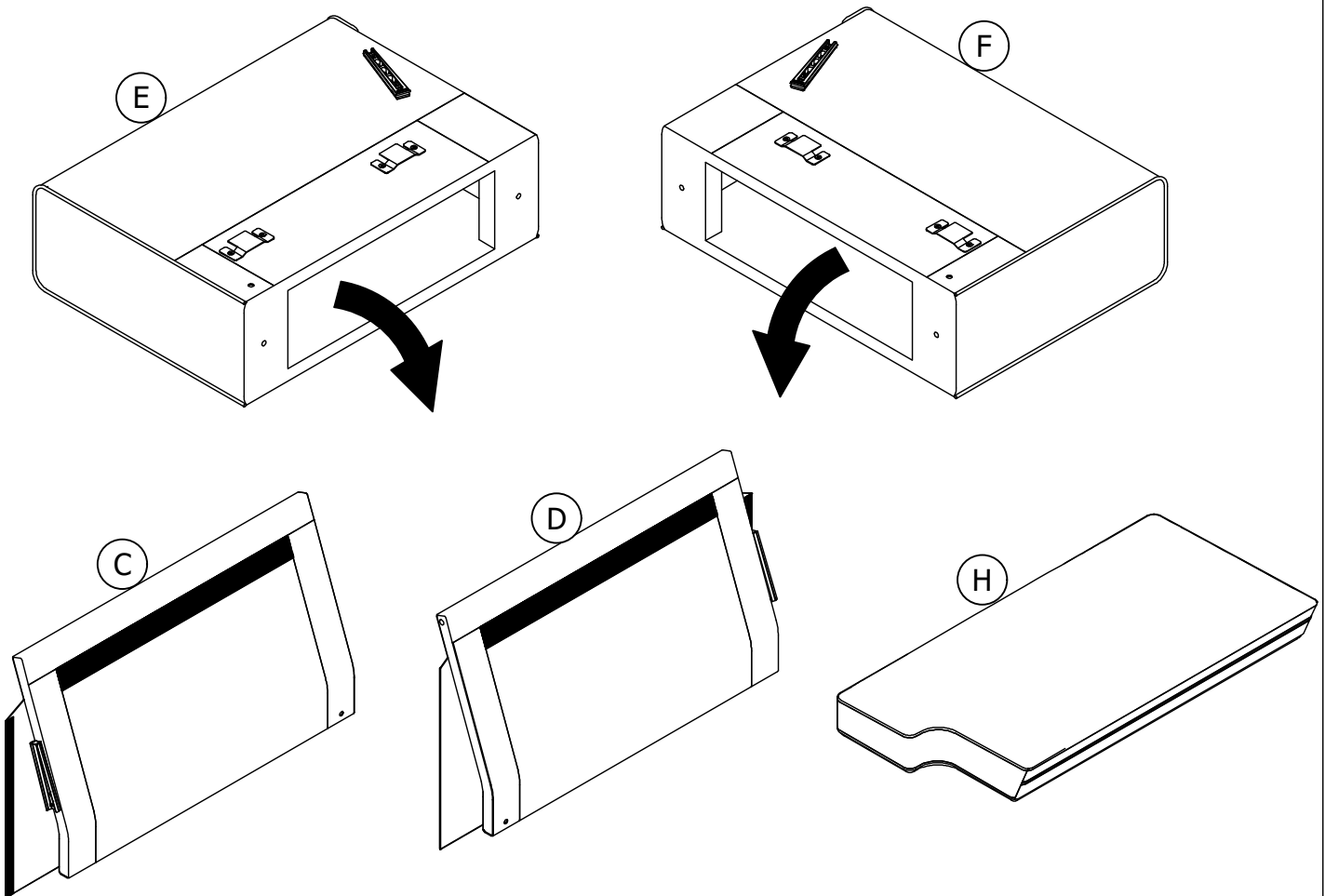
Washer
X 12



Allen Key
X 1

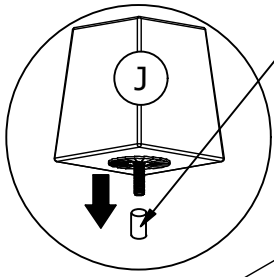
STEP 1:

Some parts will be found in the compartment under the Armrests, as shown.

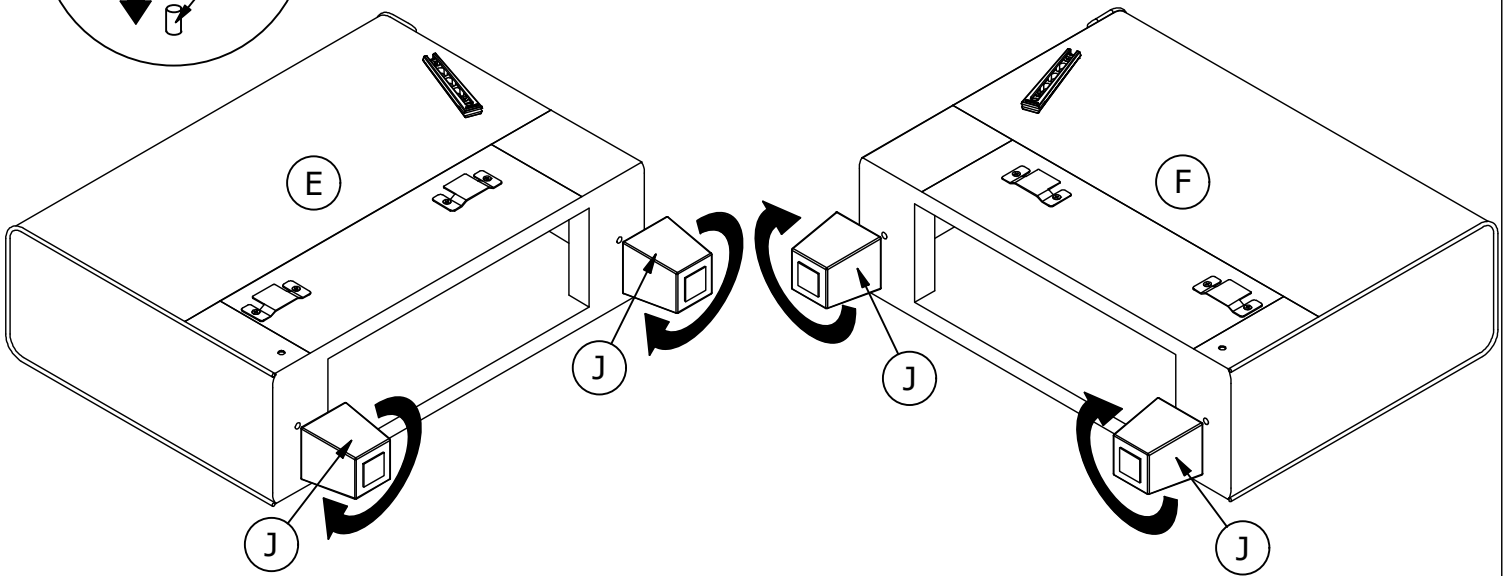


STEP 2:

Manually screw leg **J** x 4 to Armrest **E** & **F**, as shown.

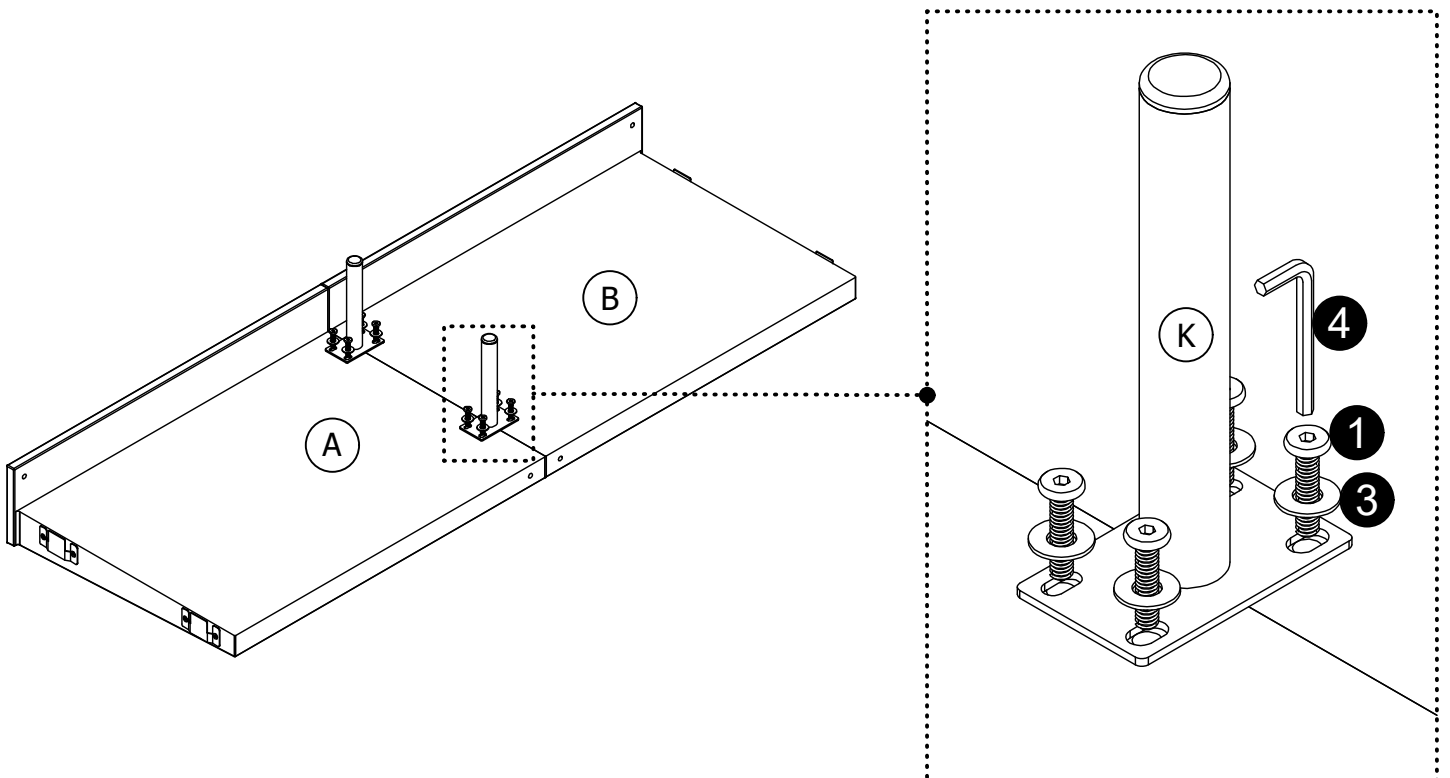


⚠ Please remove the protective cap on the tip of thread before assembling.



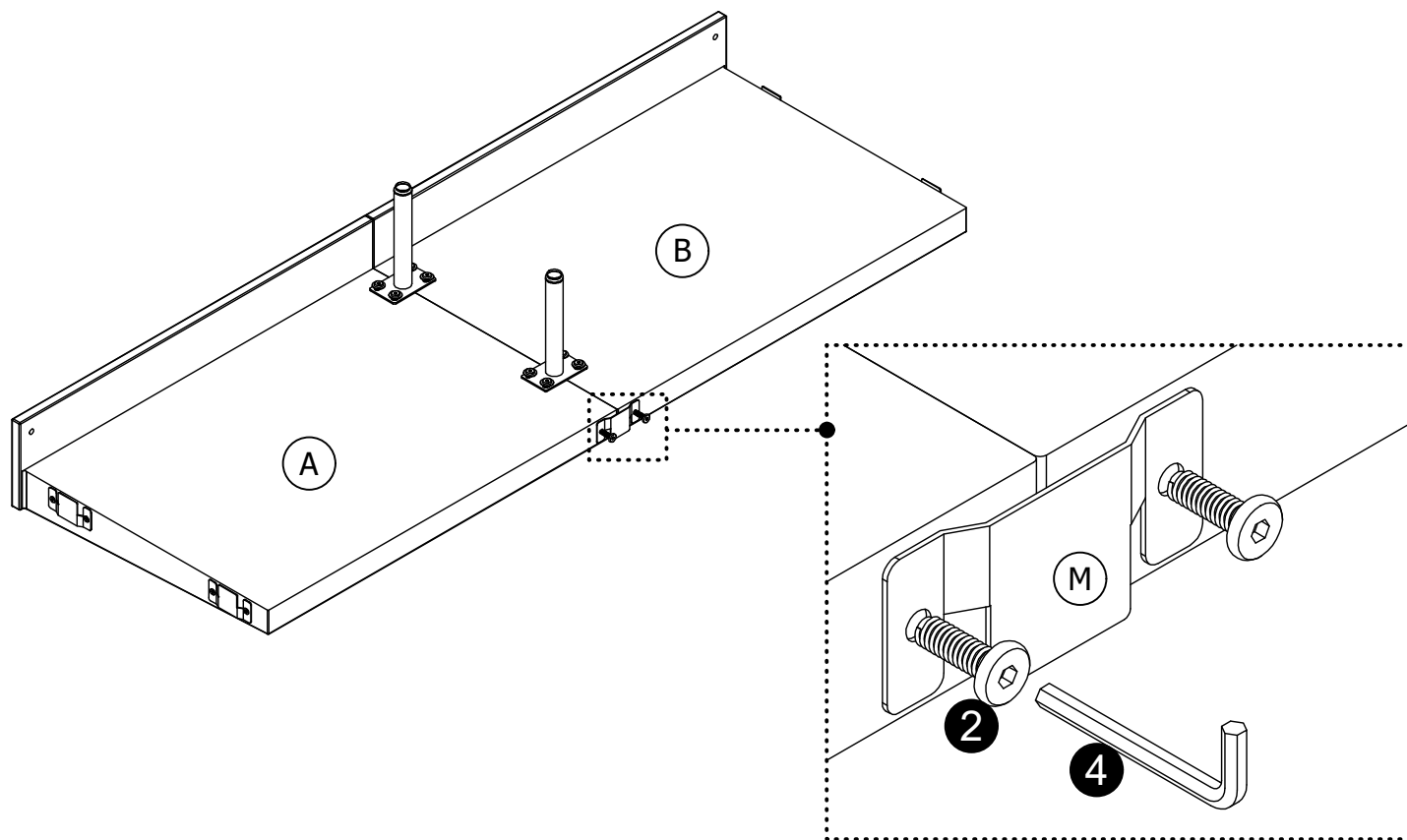
STEP 3:

Attach middle leg **K** x 2 to seat **A** & **B** with bolts **1** and flat washers **3**, as shown.



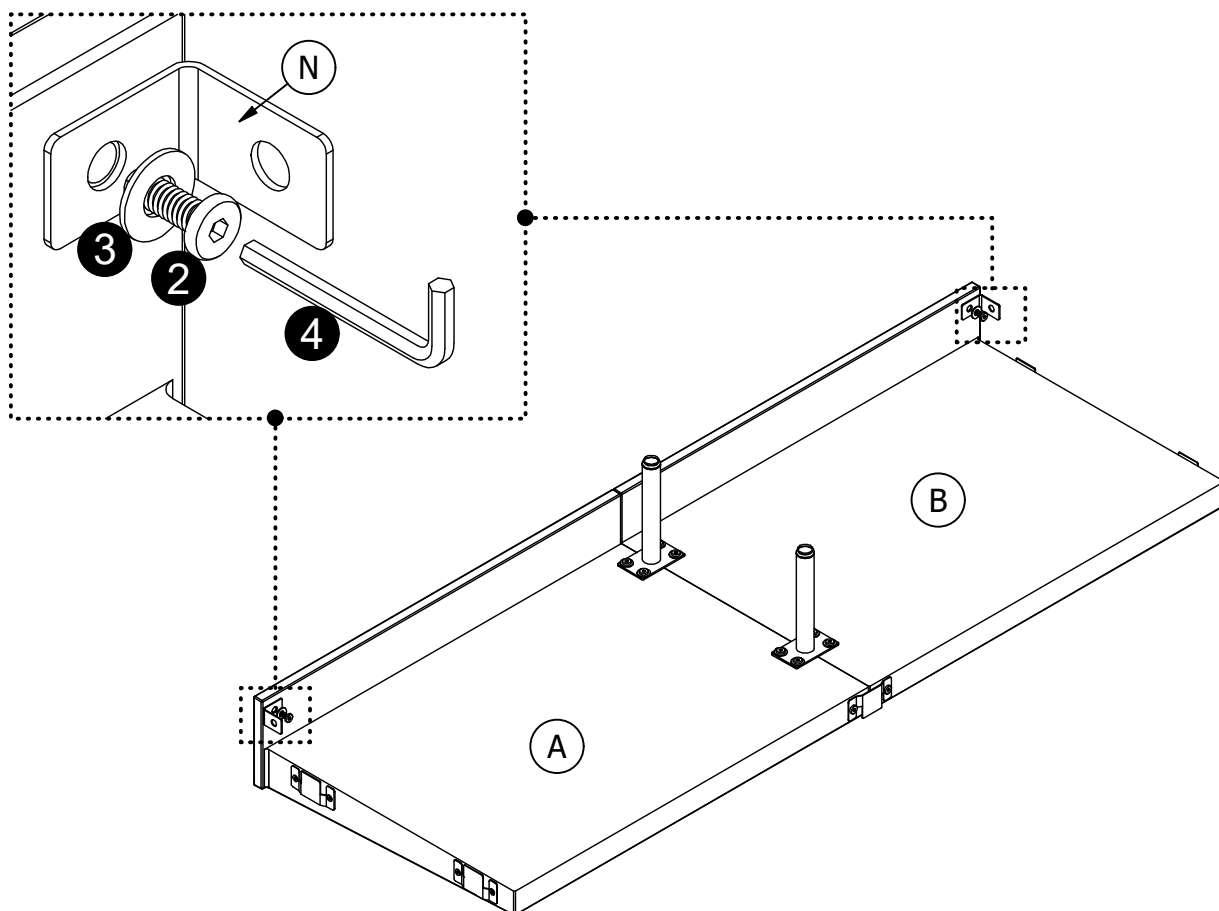
STEP 4:

Attach Plug-in **M** to seat **A** & **B** with bolt **2**, as shown.



STEP 5:

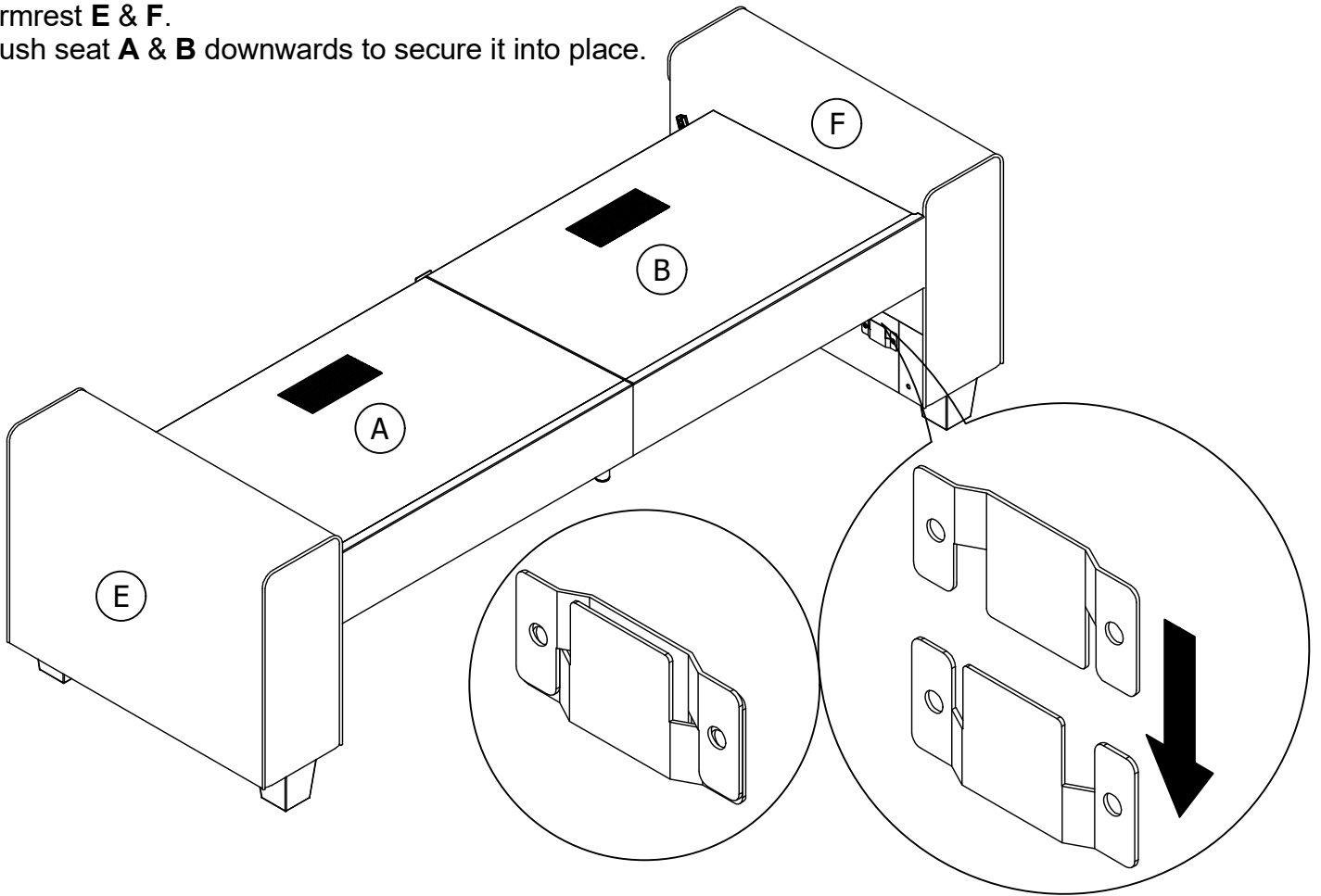
Attach Bracket **N** x 2 to seat **A** & **B** with bolts **2** and flat washers **3**, as shown.



STEP 6:

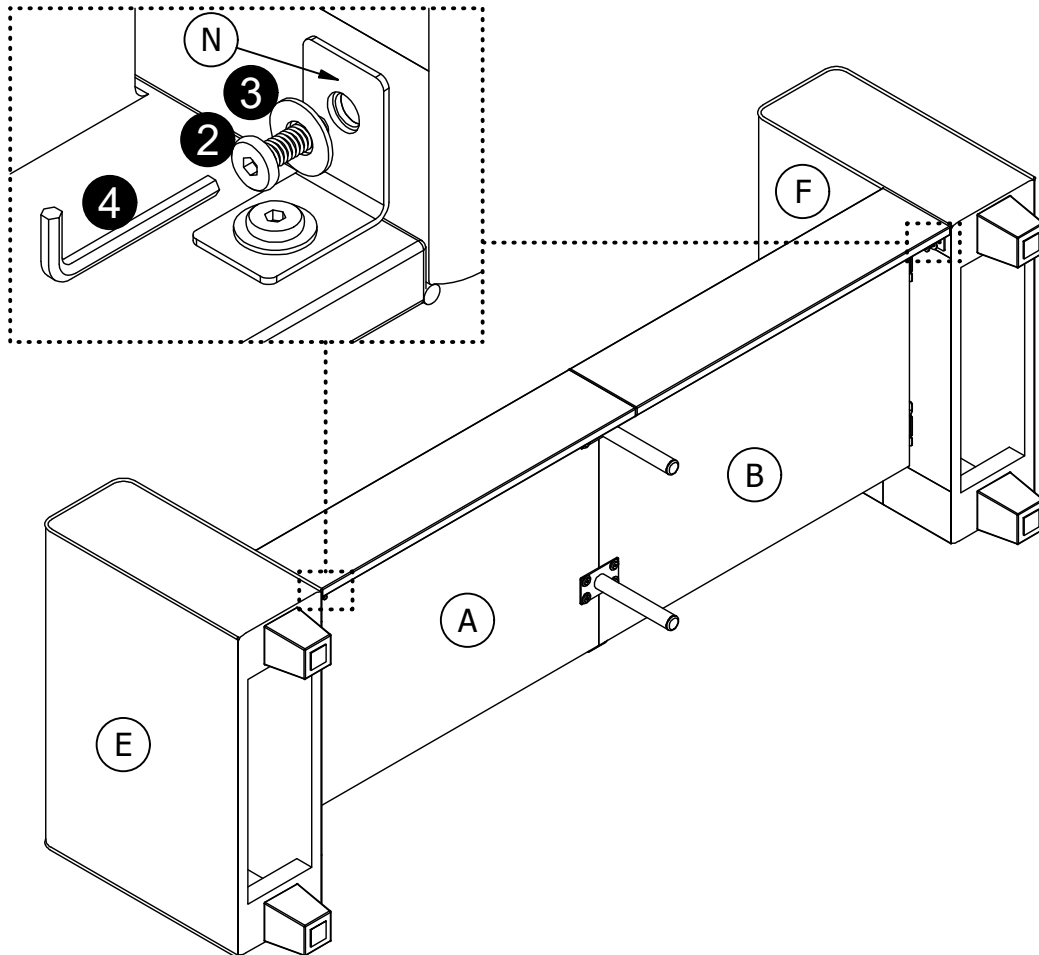
Attach seat **A** & **B** to Armrest **E** & **F** by inserting the brackets on seat **A** & **B** into the metal glides on Armrest **E** & **F**.

Push seat **A** & **B** downwards to secure it into place.



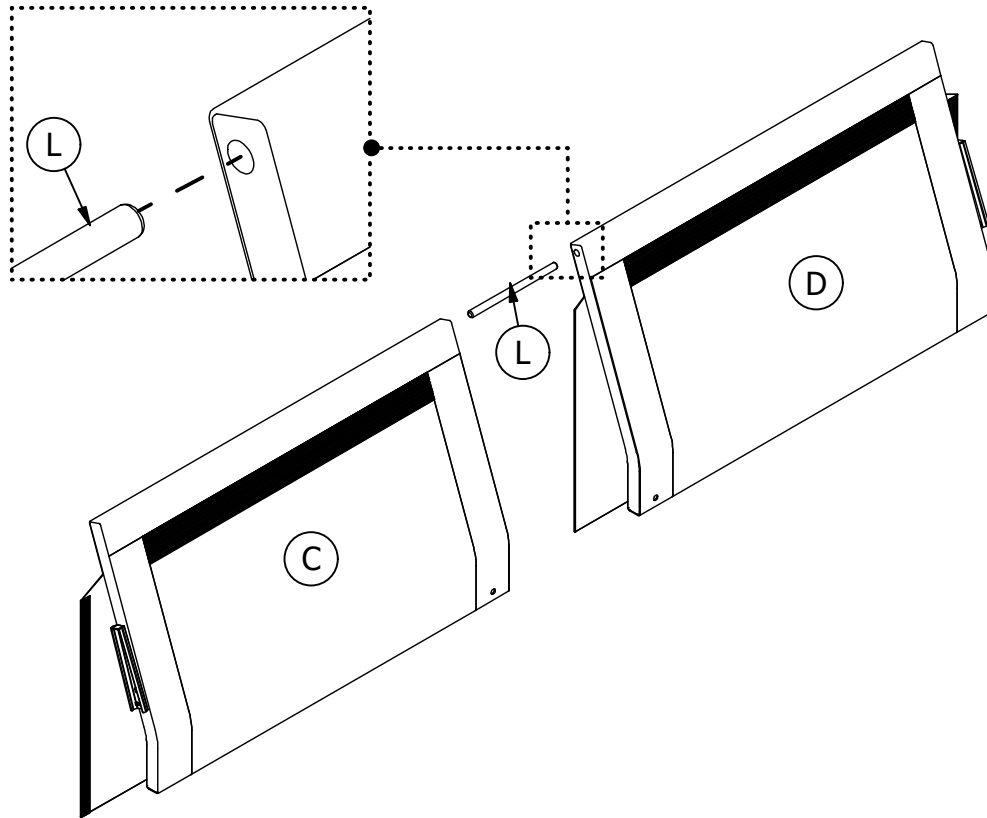
STEP 7:

Attach Bracket **N** x 2 to Armrest **E** & **F** with bolts **2**, and flat washers **3**, as shown.



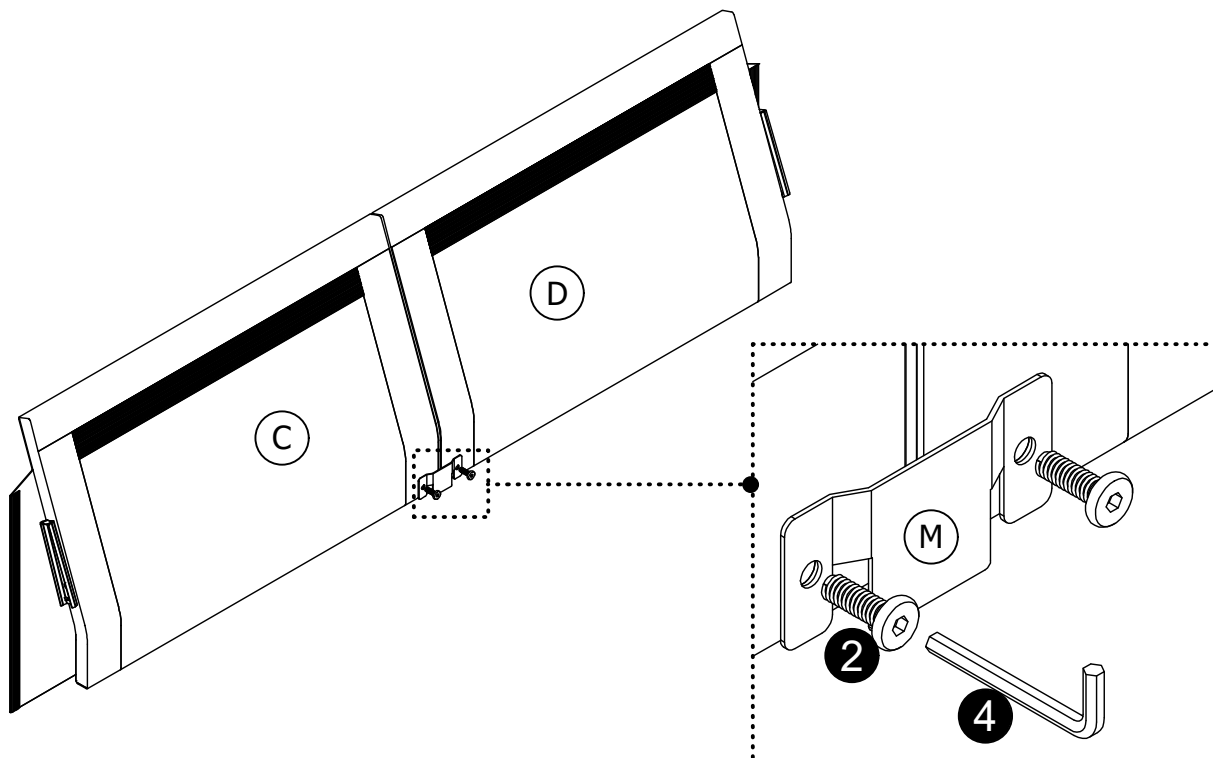
STEP 8:

Connect Backs **C** & **D** using Connector **L**, as shown.



STEP 9:

Attach Plug-in **M** to Backs **C** & **D** with bolt **2**, as shown.

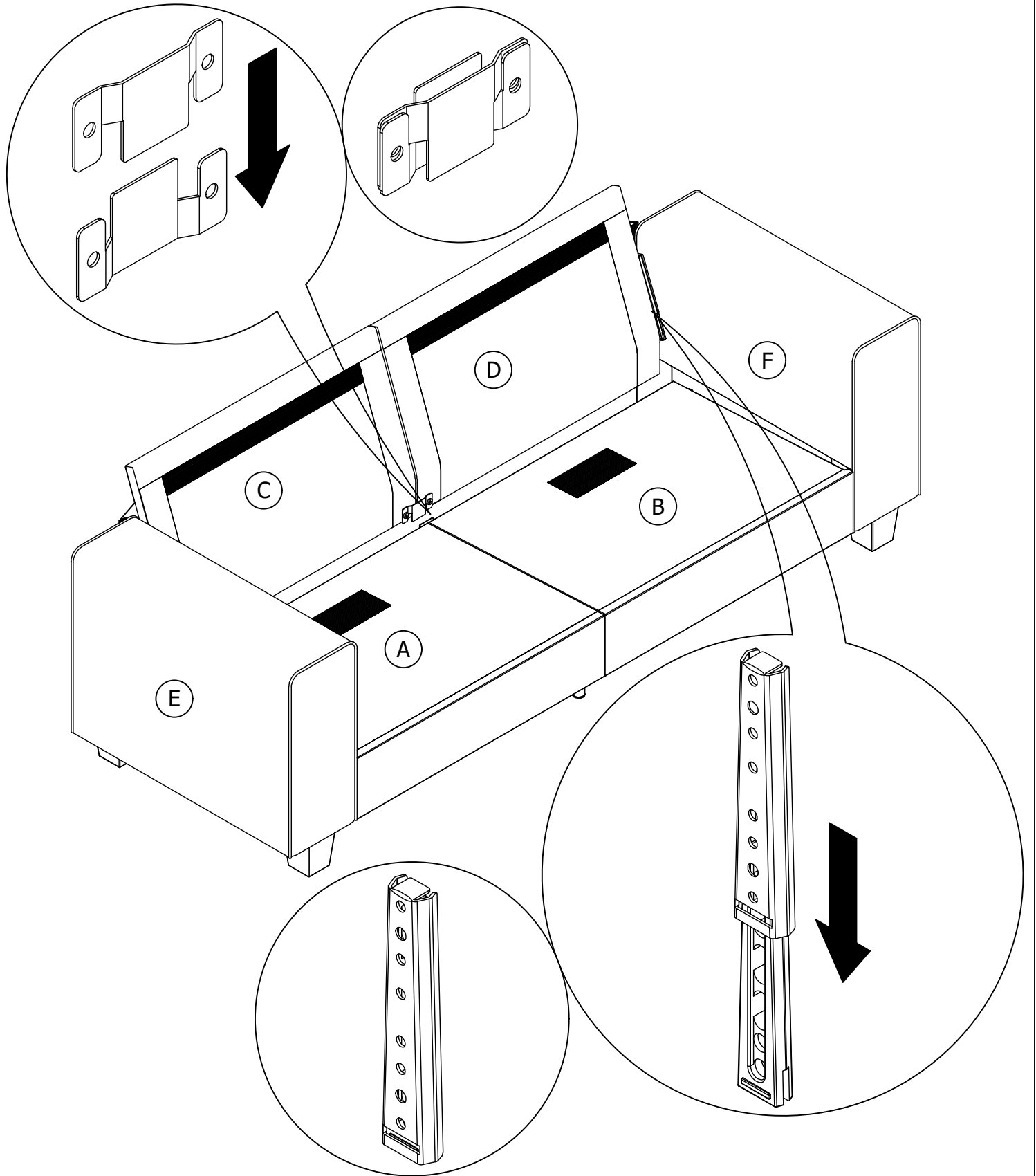


STEP 10:

Attach Backs **C** & **D** to Armrests **E** & **F** by inserting the brackets on Backs **C** & **D** to the metal glides on Armrests **E** & **F**.

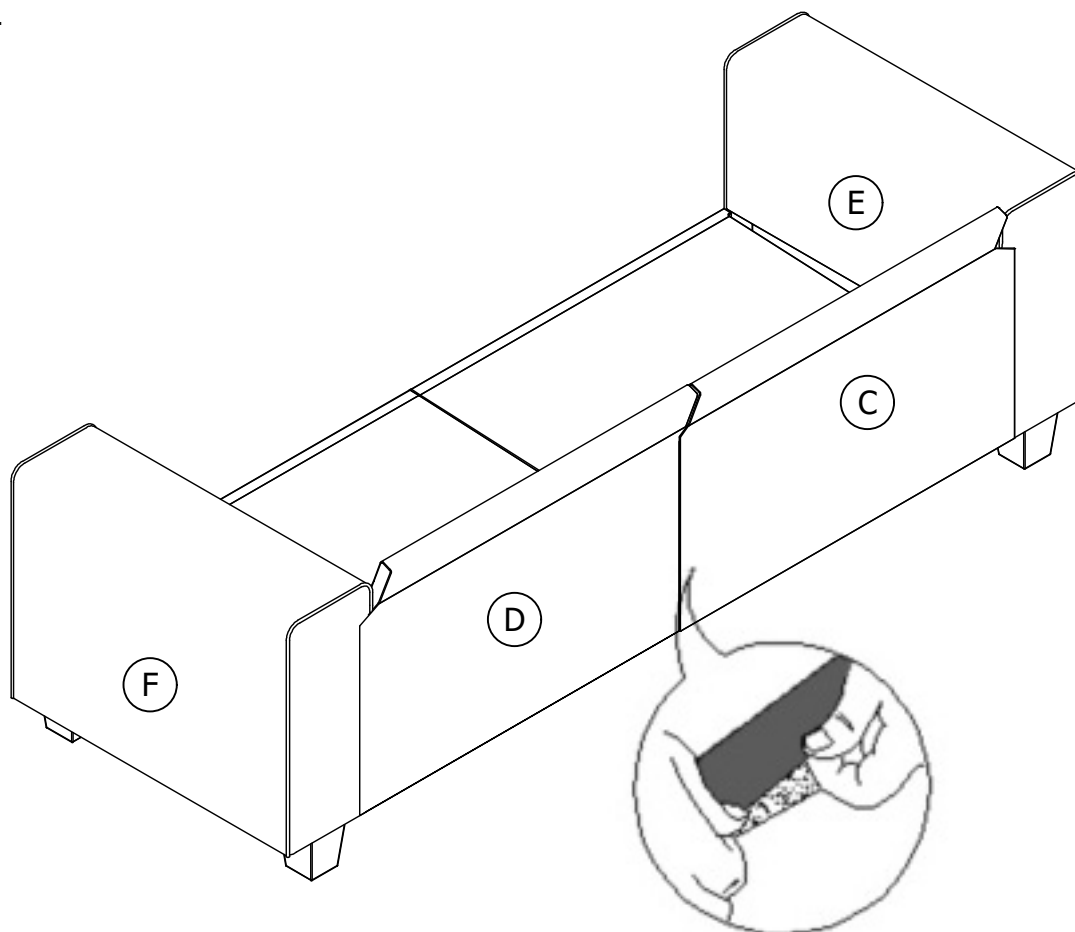
Attach Backs **C** & **D** to Double Seat **A** & **B** by inserting the Plug-in **P** on Backs **C** & **D** into the Plug-in **P** on Double Seat **A** & **B**.

Push Backs **C** & **D** downwards to secure it into place.



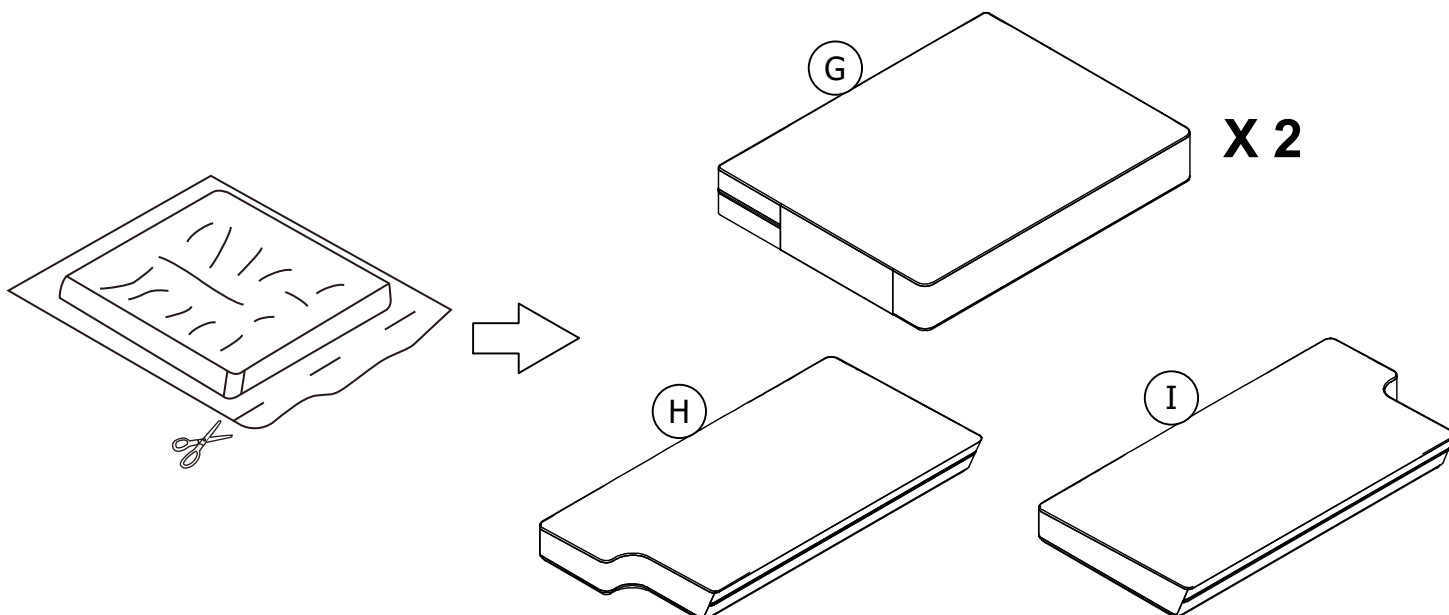
STEP 11:

Stick fabric cover on Backs **C** & **D** to Armrests **E** & **F** with the hook and loop fastener.
Stick fabric cover on Left Back Frame **C** to Right Back Frame **D** with the hook and loop fastener, as shown.



STEP 12:

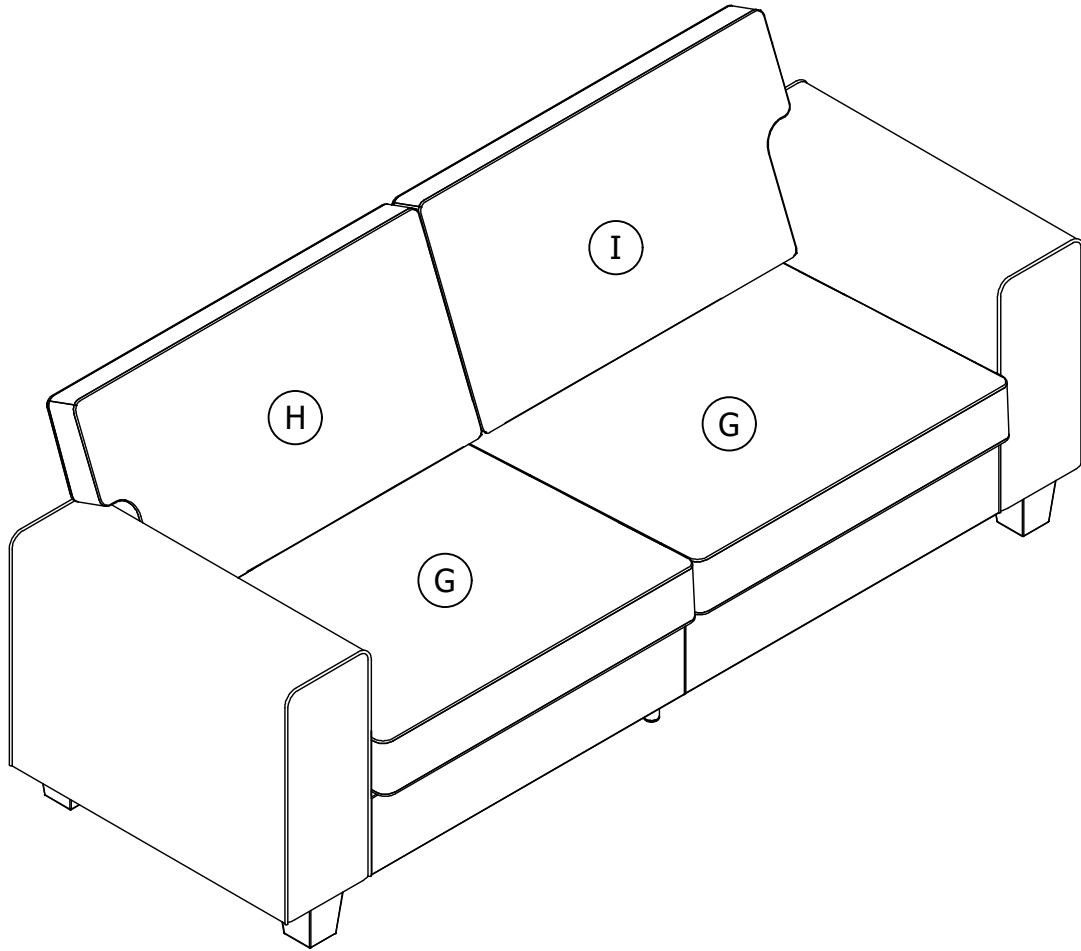
Remove the cushions from their vacuum sealed package.



⚠ Note: The cushions have been vacuum packed for transportation purposes. After unpacking, please allow up to 72 hours so that they can return to their original shape.

STEP 13:

Place Seat Cushions **G** x 2 & Back Cushions **H** & **I** onto the sofa.



Helpful Hints

- Move your new furniture carefully, with two people lifting and carrying the unit to its new location.
- Your furniture can be disassembled and reassembled to move.
- Clean the product with a soft damp cloth. DO NOT use harsh chemicals or abrasive cleaners.
- For further information please contact at sales4@jsanyee.com

