

artos

F906A-12TK

INSTALLATION GUIDE

volume control trim kit only
rnd+equal plate

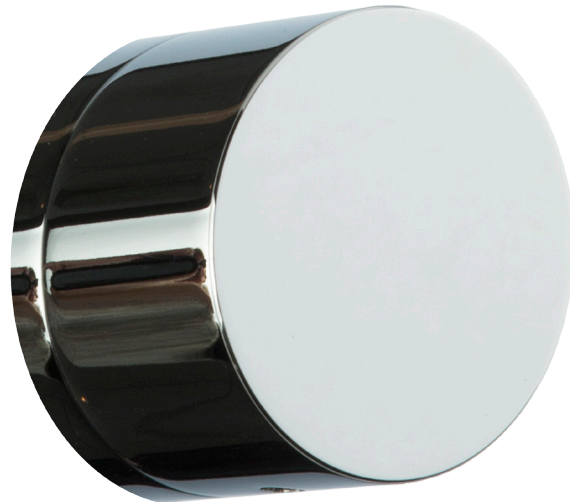
BRUSHED NICKEL(BN)



CHROME(CH)



BLACK(BK)



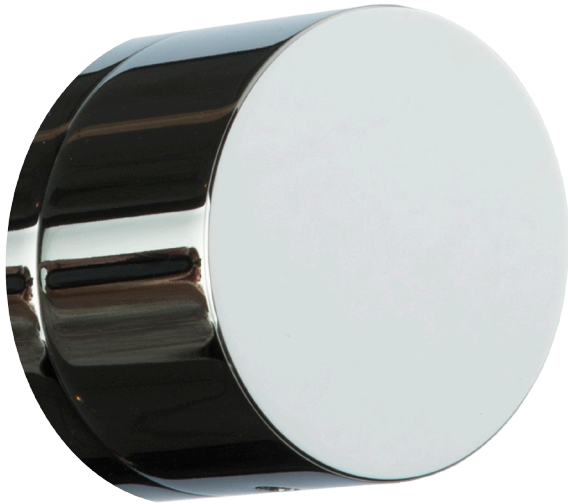
artos

F906A-12TK

volume control trim kit only
rnd+equal plate

OPERATING SPECIFICATIONS

for associated valve | F906A-V0 or F906A34-V0



OPERATING PRESSURE

Minimum: 10 psi
Maximum: 125 psi

FLOW CAPACITY

(F906A-V0) 5.6USGPM@60 psi
or
(F906A34-V0) 7.1USGPM@60 psi

INLET/OUTLET

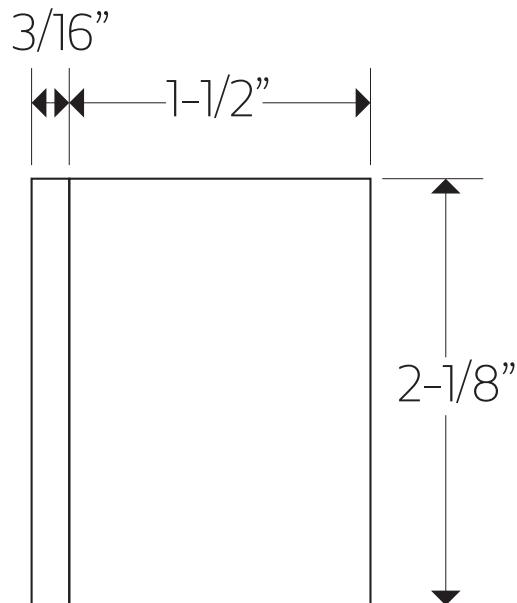
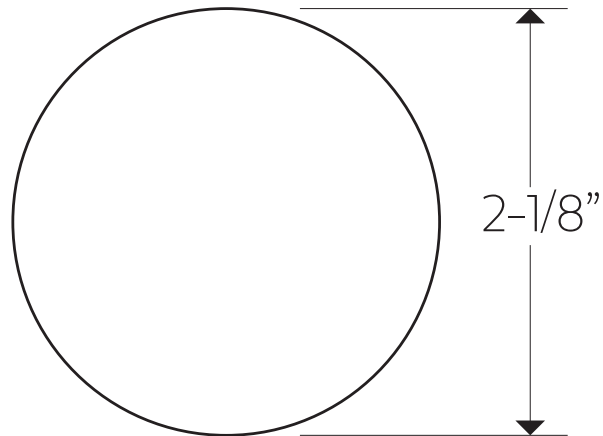
(F906A-V0) 1/2" Female NPT
or
(F906A34-V0) 3/4" Female NPT

artos

F906A-12TK

volume control trim kit only
rnd+equal plate

PRODUCT DIMENSIONS

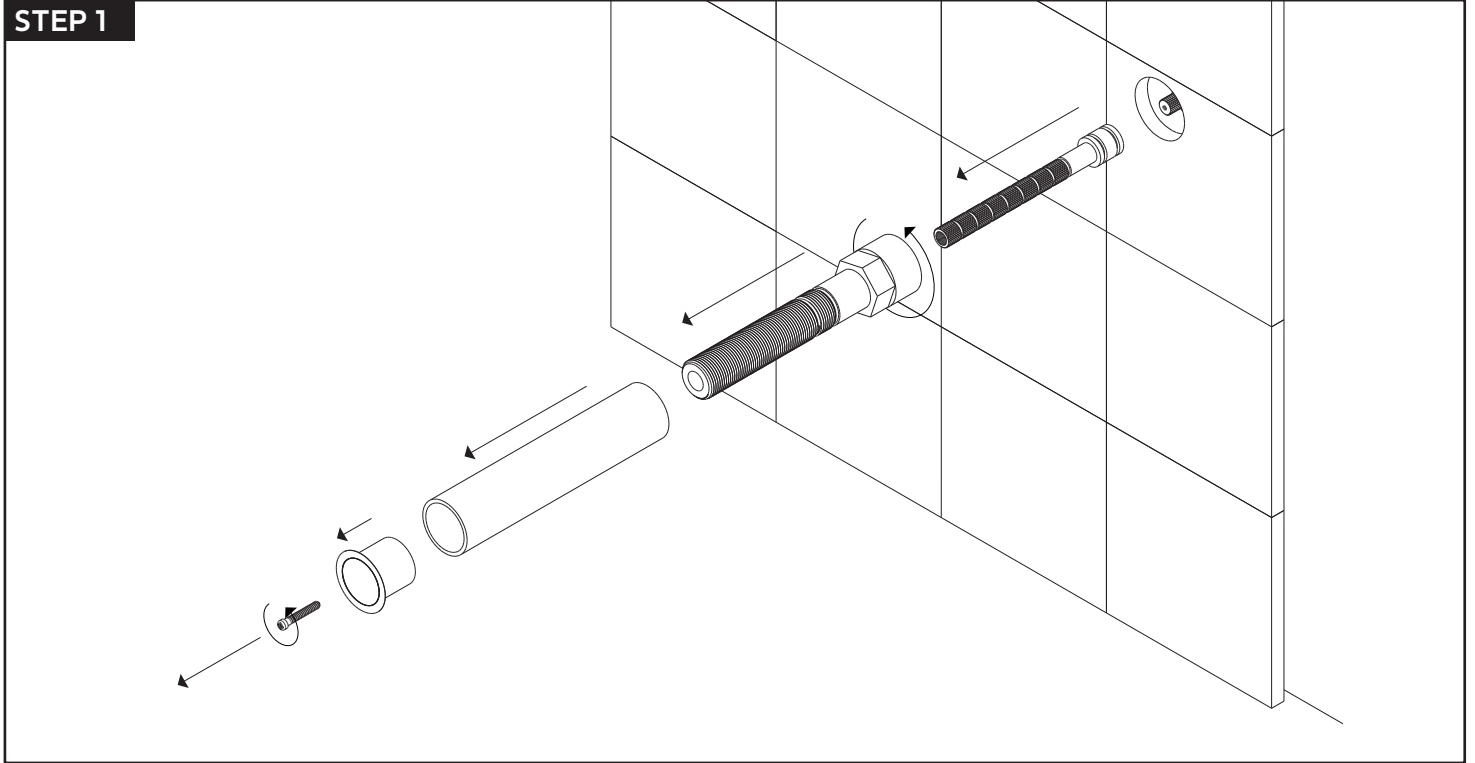


artos

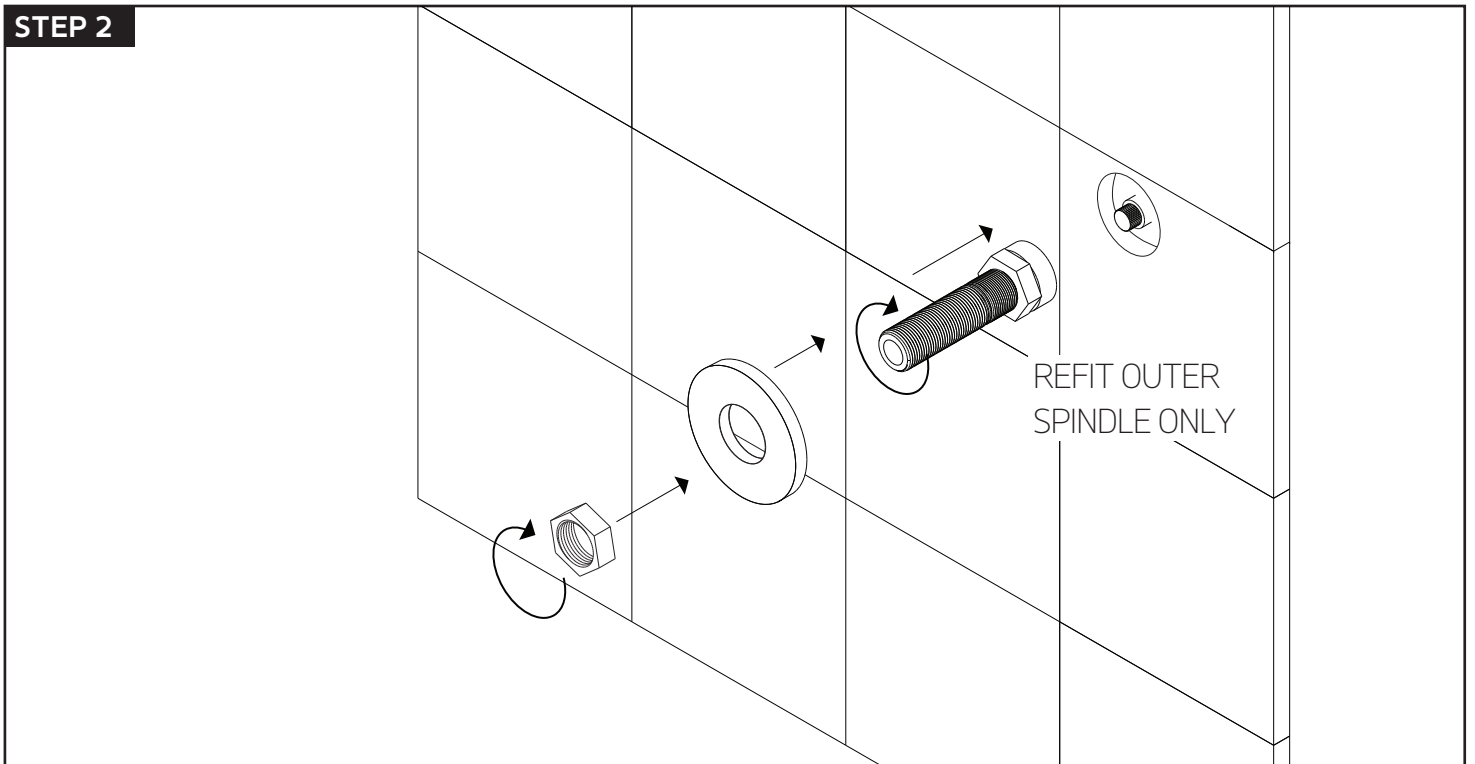
F906A-12TK

volume control trim kit only
rnd+equal plate

STEP 1

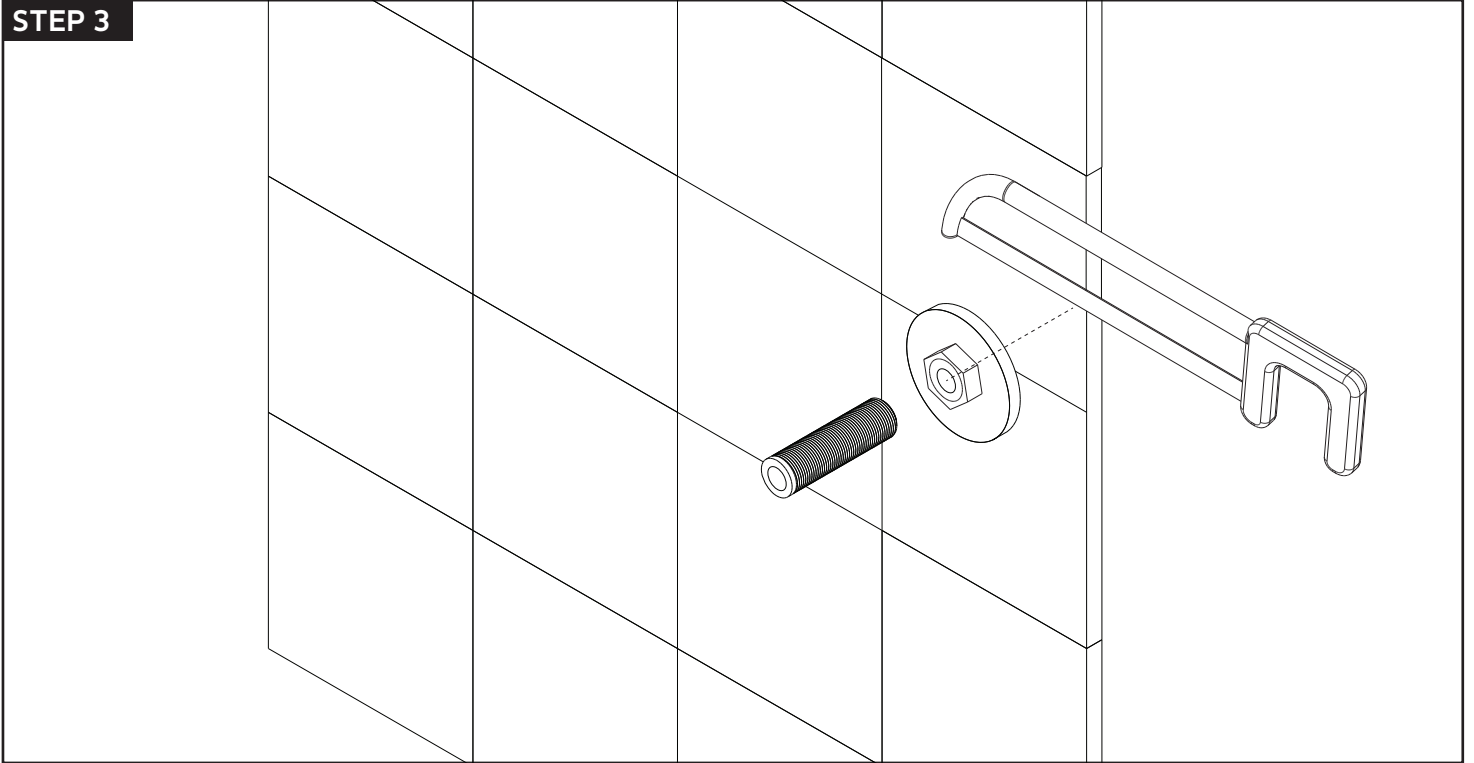


STEP 2

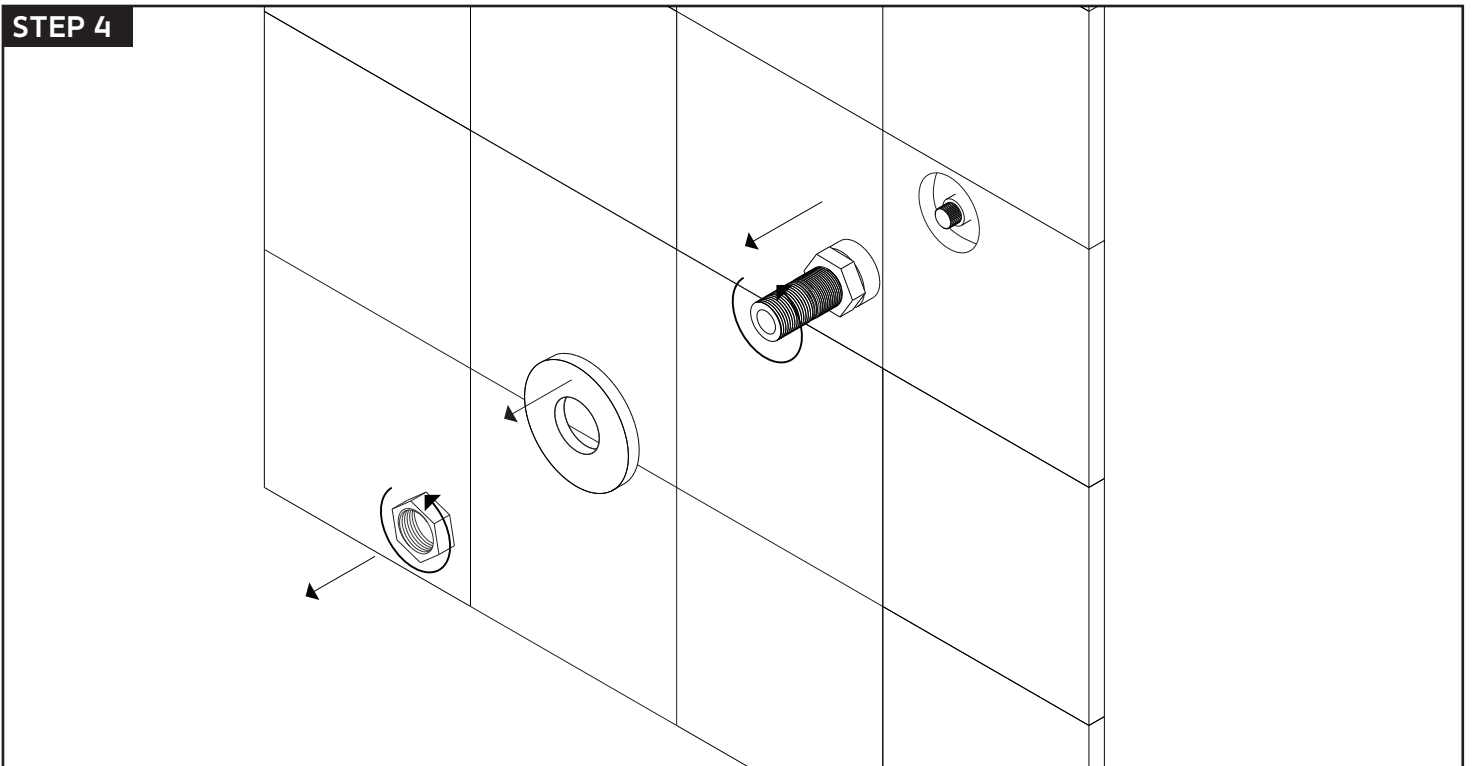


INSTALLATION STEPS

STEP 3



STEP 4

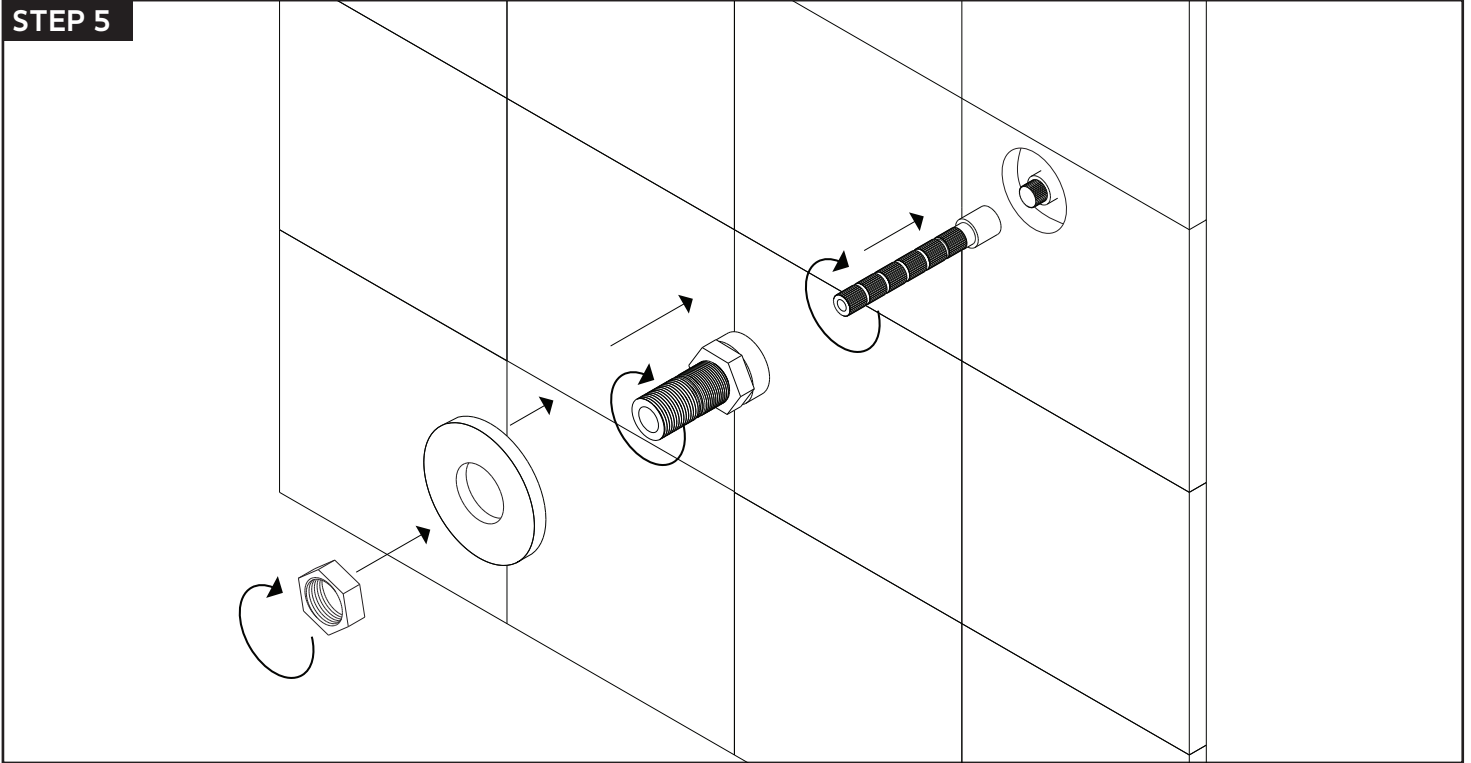


artos

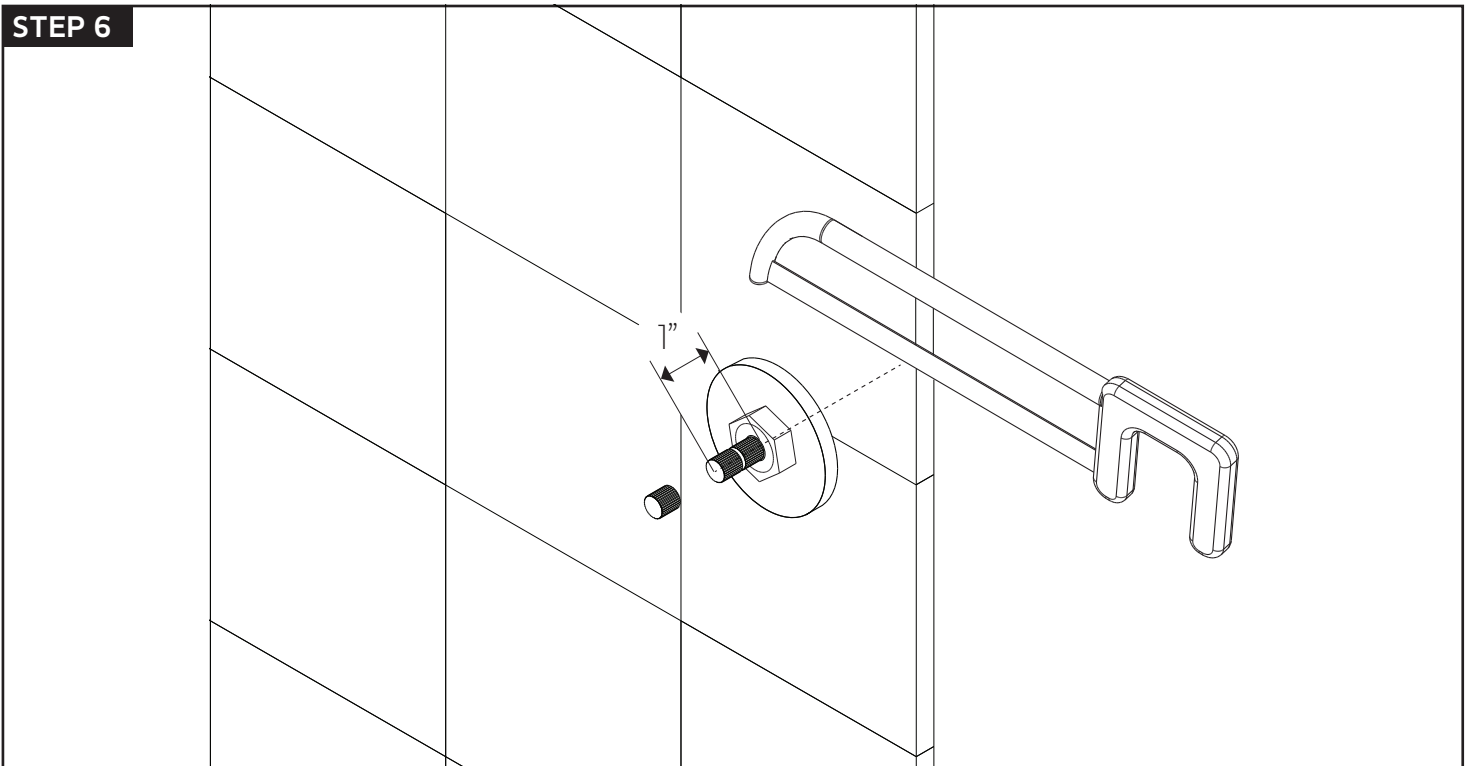
F906A-12TK

volume control trim kit only
rnd+equal plate

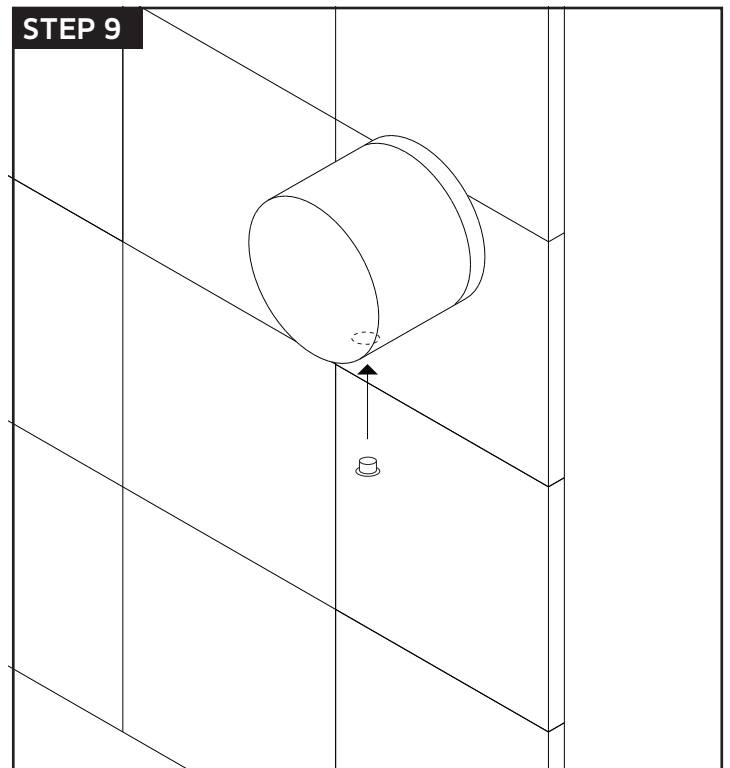
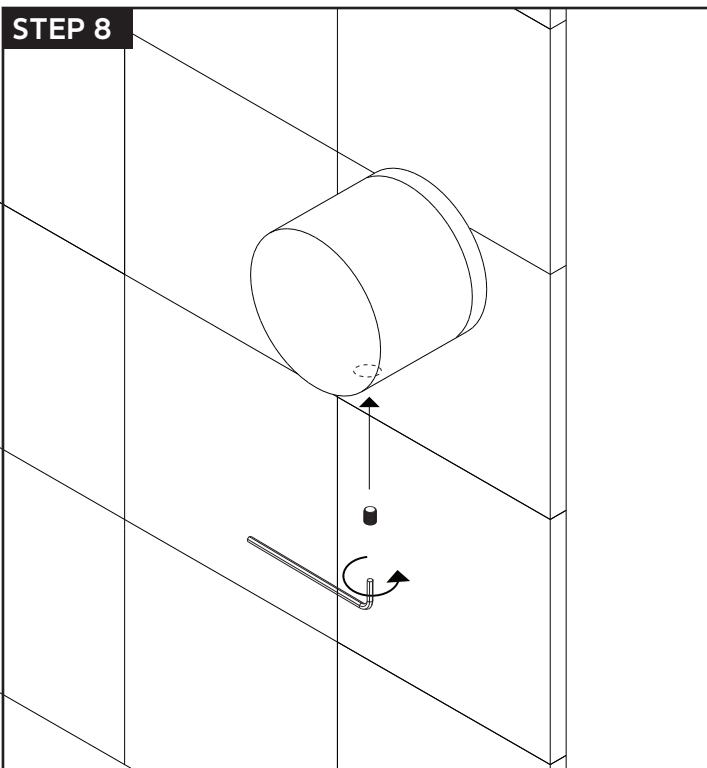
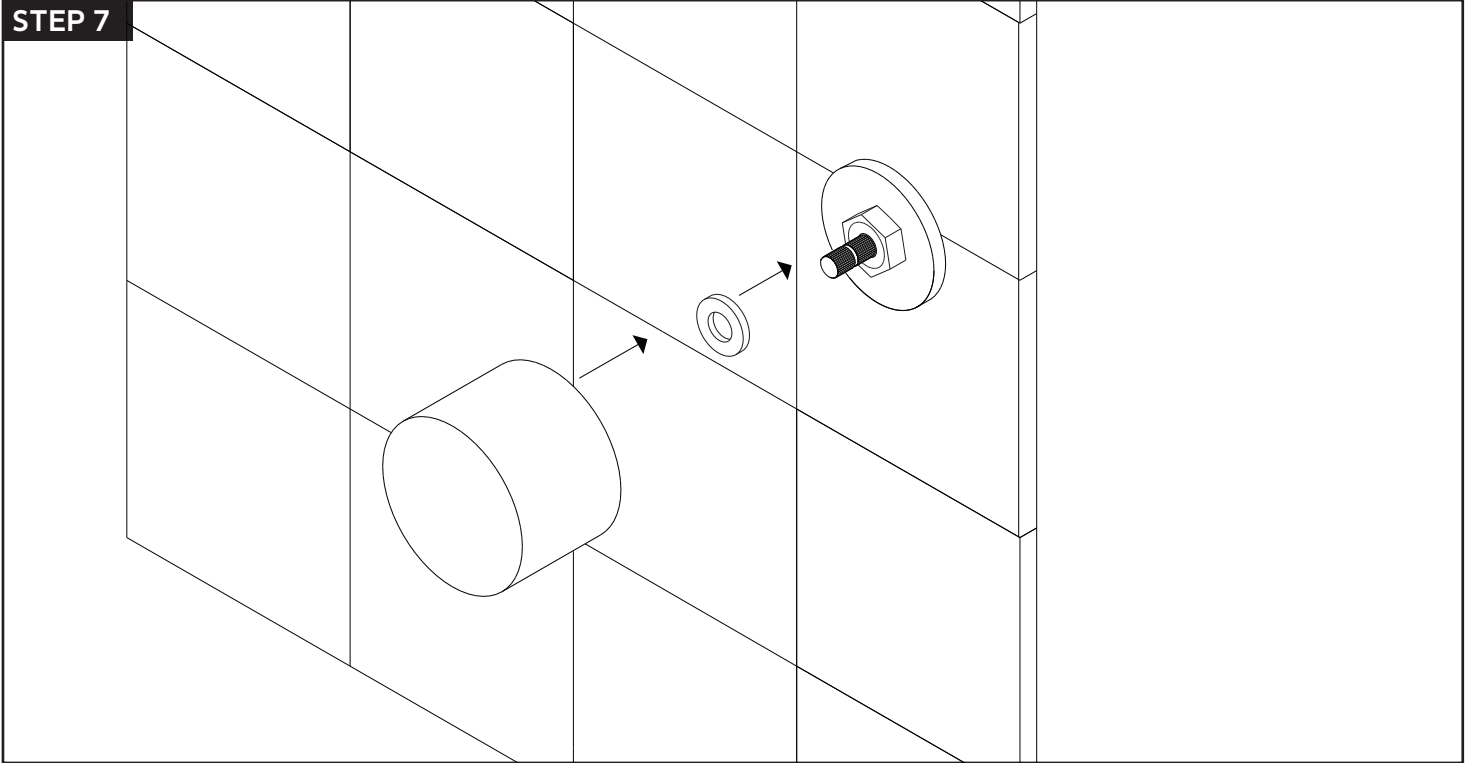
STEP 5



STEP 6



INSTALLATION STEPS

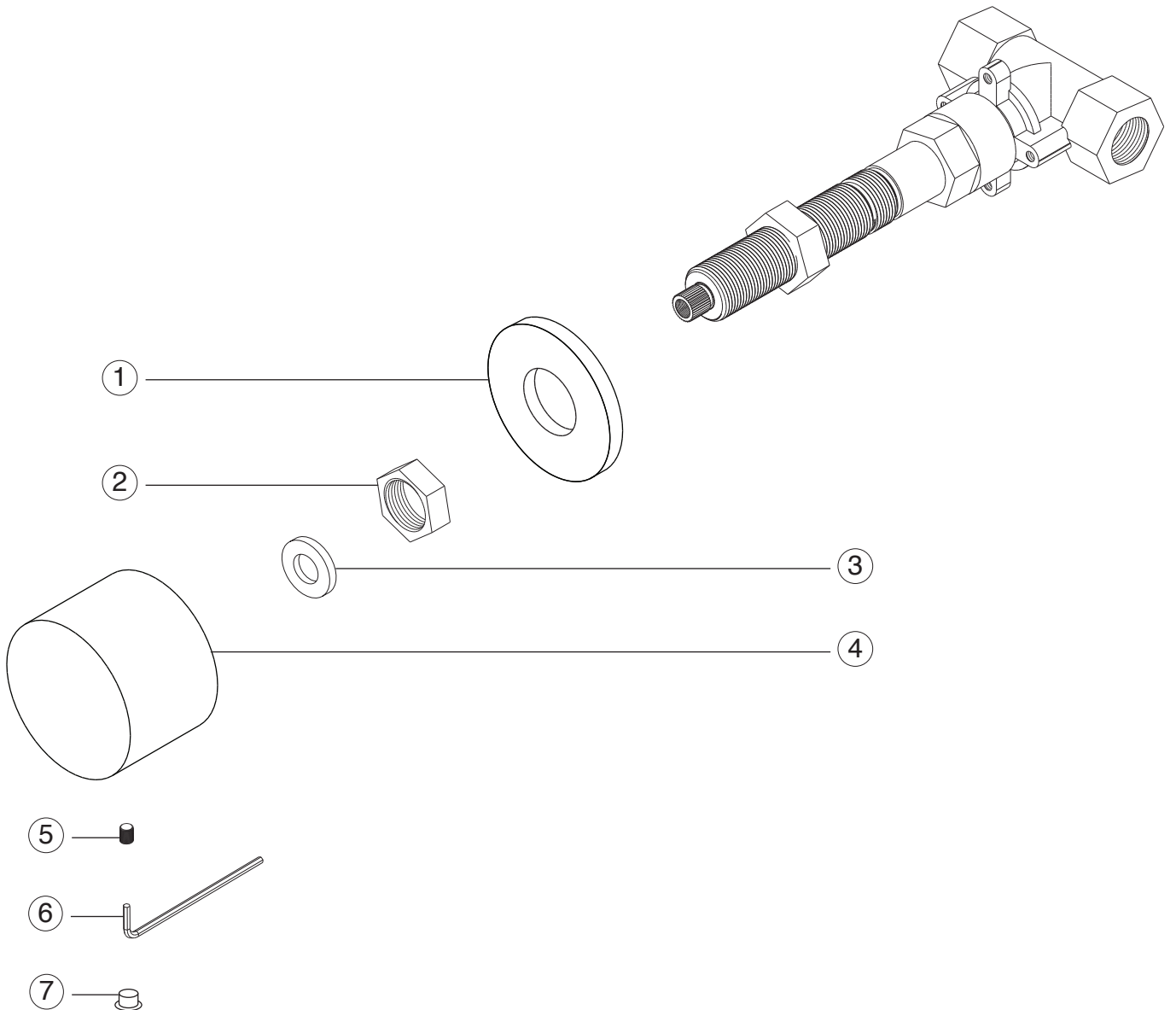


artos

F906A-12TK

PARTS BREAKDOWN

volume control trim kit only
rnd+equal plate



- ① ESCUTCHEON
- ② LOCKING NUT
- ③ NYLON WASHER
- ④ HANDLE
- ⑤ SET SCREW
- ⑥ ALLEN WRENCH
- ⑦ HANDLE HOLE CAP