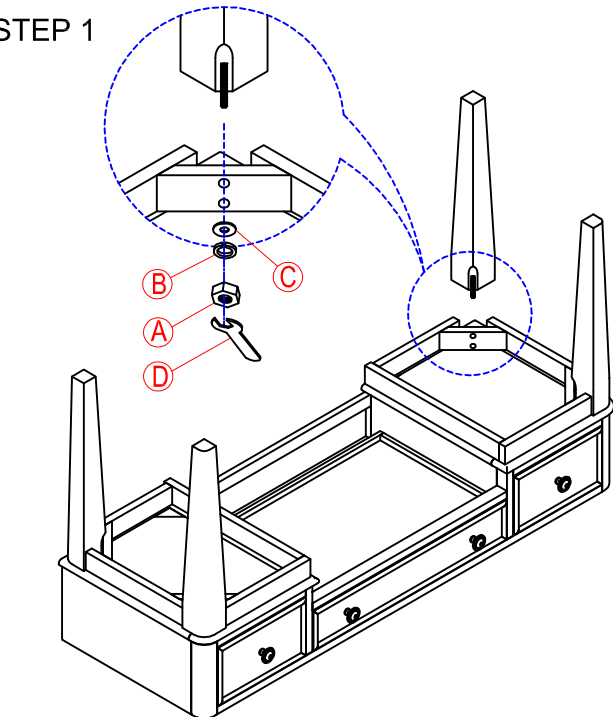









ASSEMBLY INSTRUCTION

DESCRIPTION VANITY

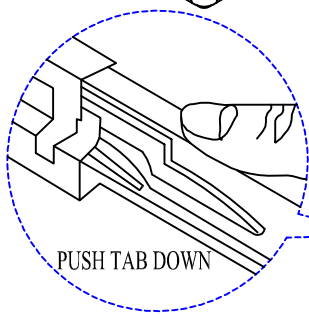
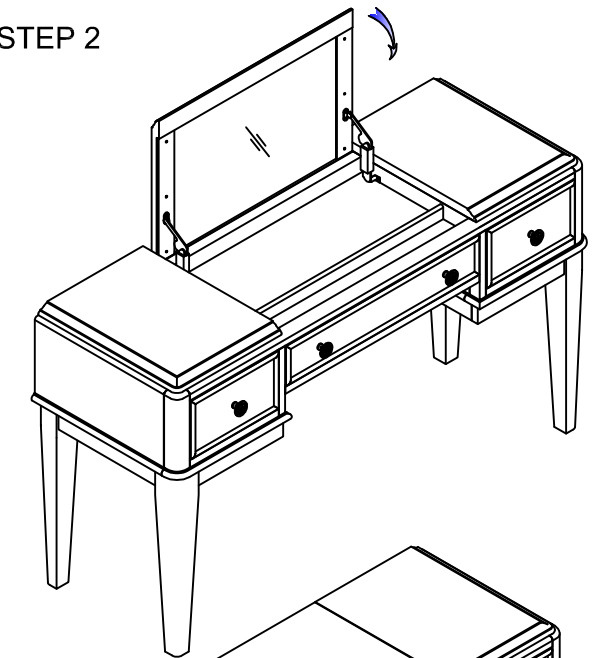
STEP 1



NO.	Part List			Q'TY
1	Vanity		1322mm*457mm*305mm	1
2	Leg front		507mm*70mm*70mm	2
3	Leg back		507mm*70mm*70mm	2

NO.	Hardware List		Q'TY
A		Hex nut 5/16" x 13mm	08
B		Spring Washer 5/16"	08
C		Flat Washer 5/16" x19x2mm	08
D		Wrench 12.8mm	01

STEP 2



HOW TO OPEN DRAWER

