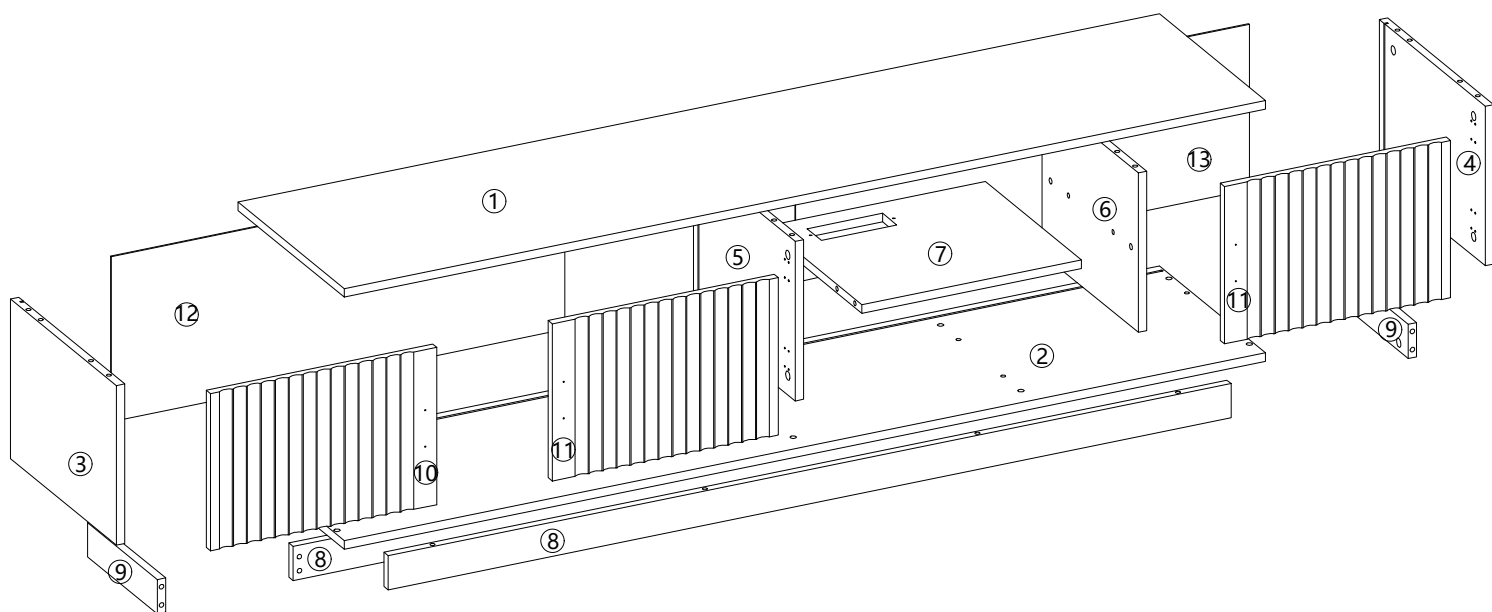

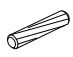
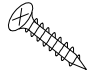
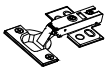

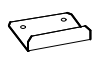

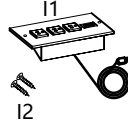
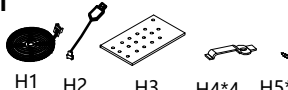

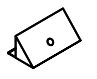

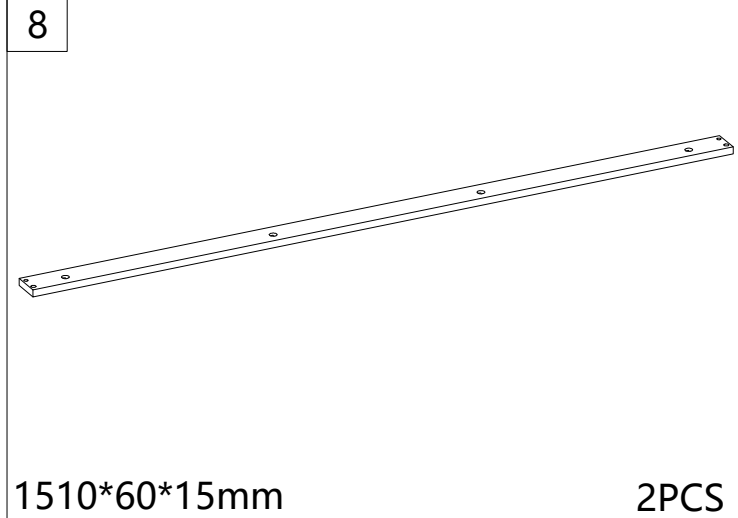
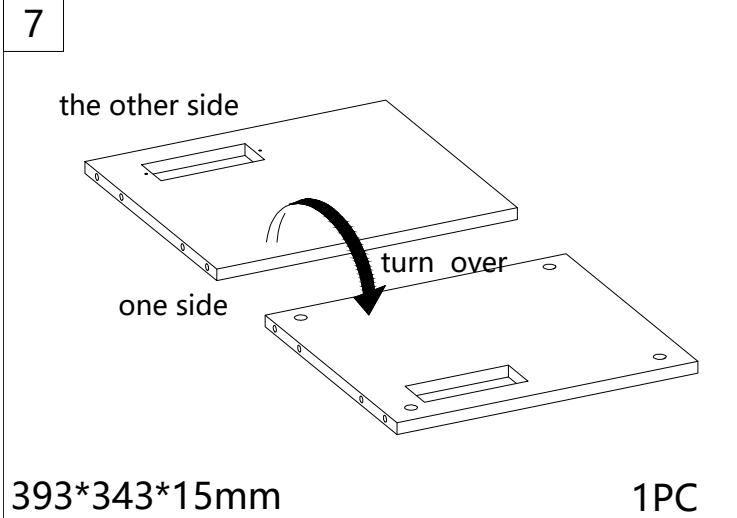
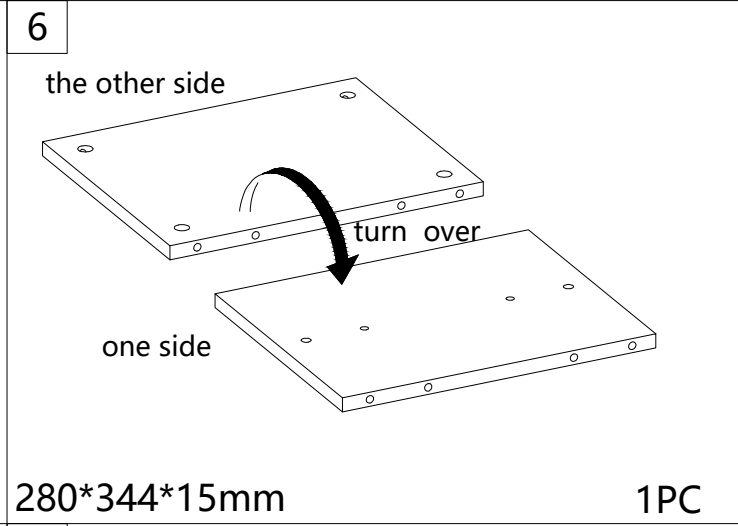
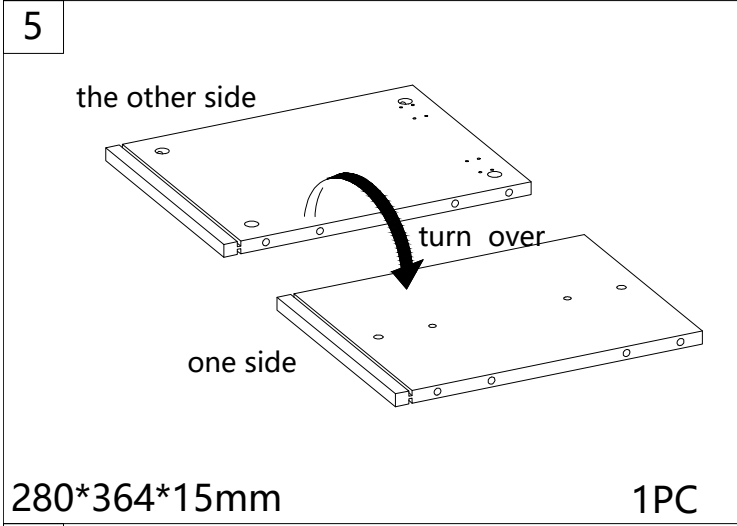
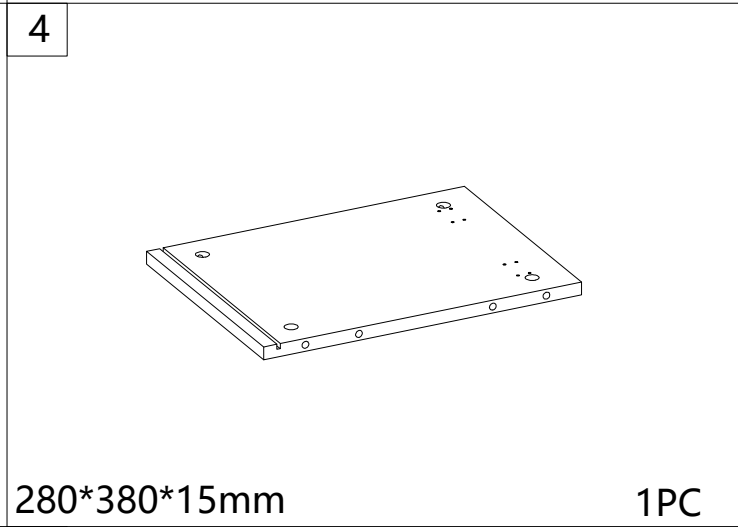
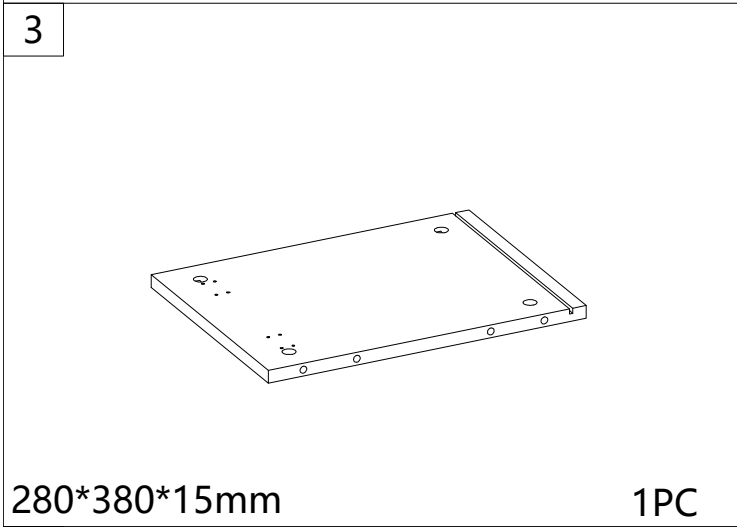
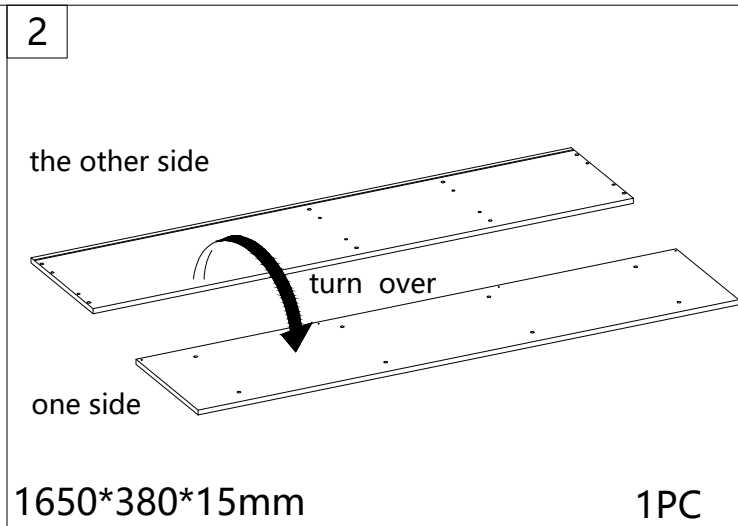
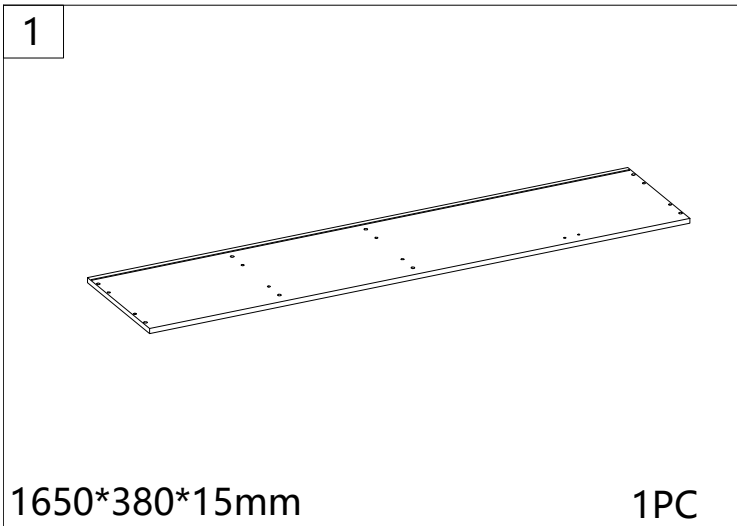


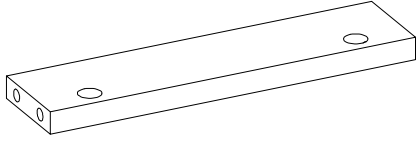
DS-TS006B



<p>A</p>  <p>A1 A2</p> <p>∅7*40mm 32PCS ∅15*11mm 32PCS</p>	<p>B</p>  <p>∅8*30mm 24PCS</p>	<p>C</p>  <p>∅3.5*12mm 46PCS</p>	<p>D</p>  <p>2PCS</p>	<p>E</p>  <p>4PCS</p>	<p>F</p>  <p>1PC</p>	<p>G</p>  <p>G1 G2</p> <p>3PCS</p>	<p>I</p>  <p>I1 I2</p> <p>1PC</p>
<p>H</p>  <p>H1 H2 H3 H4*4 H5*4</p> <p>1PC</p>	<p>J</p>  <p>10PCS</p>	<p>K</p>  <p>8PCS</p>	<p>L</p>  <p>32PCS</p>				



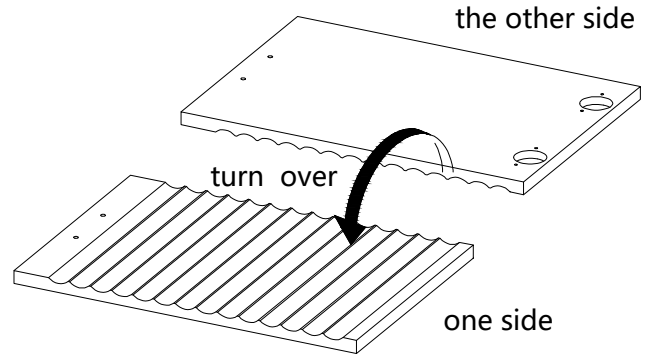
9



250*60*15mm

2PCS

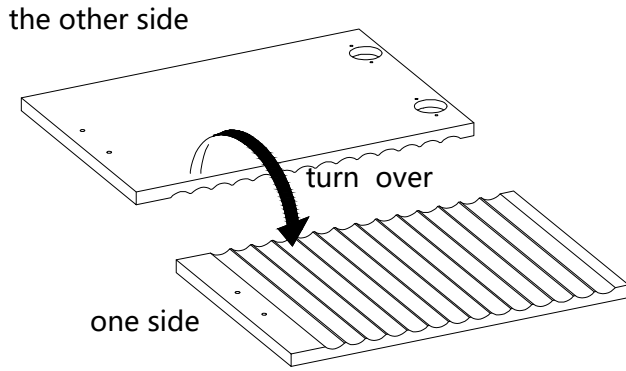
10



405*276*15mm

1PC

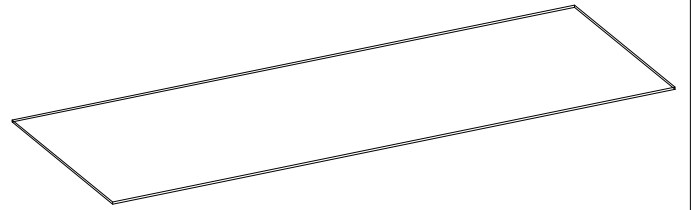
11



405*276*15mm

2PCS

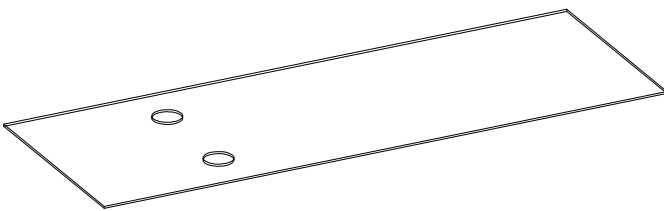
12



811*290*3mm

1PC

13



811*290*3mm

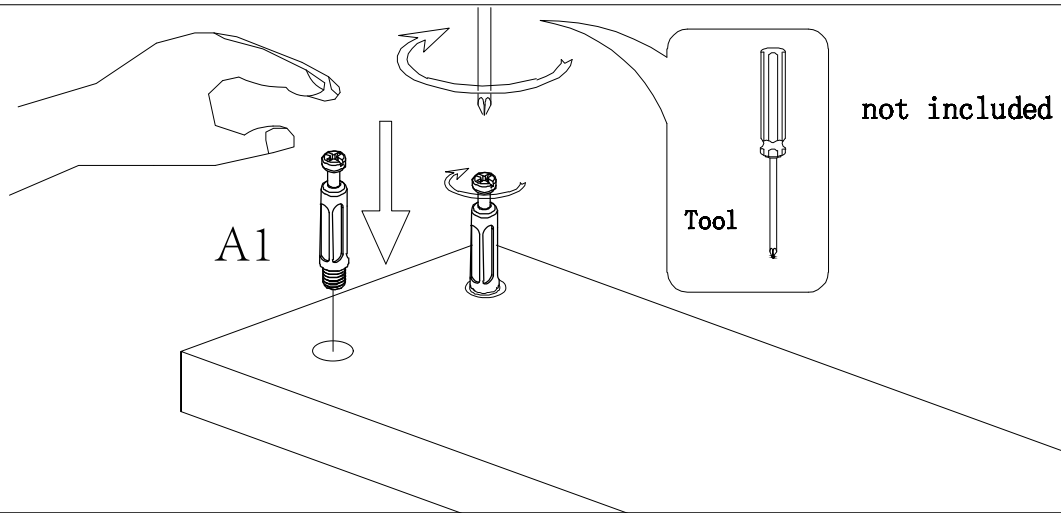
1PC

Hardware installation demonstration

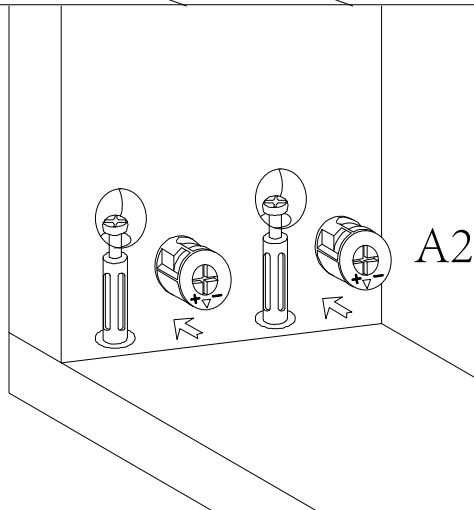


NOTE: Please make sure "A1" hardware tightened and can't be pulled out!

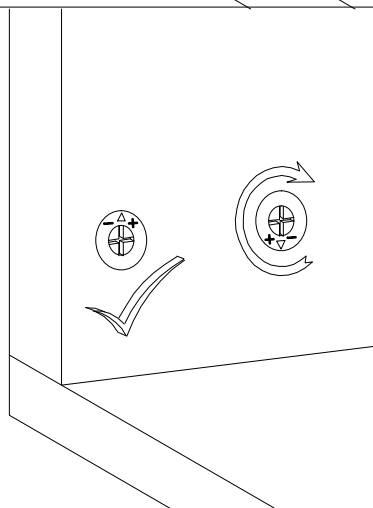
I



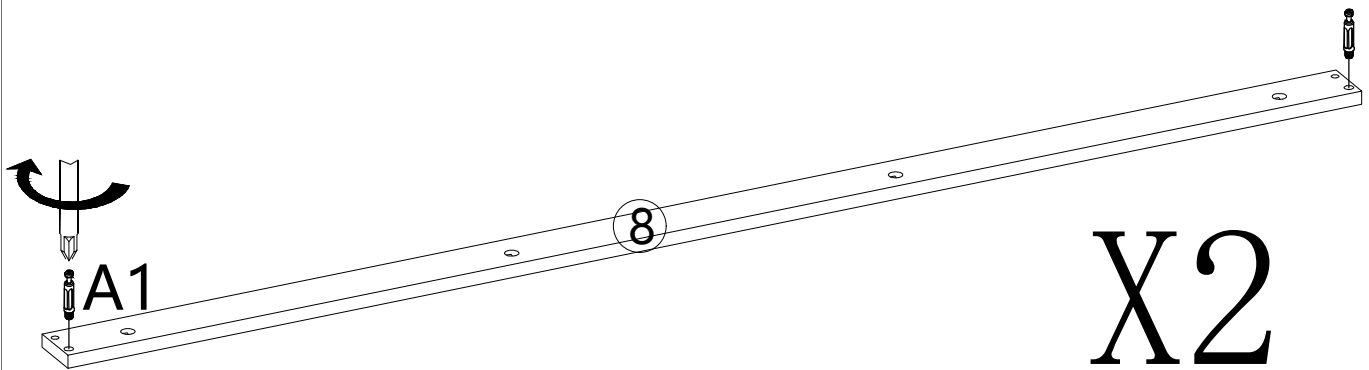
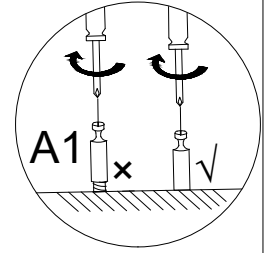
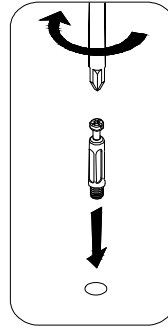
II



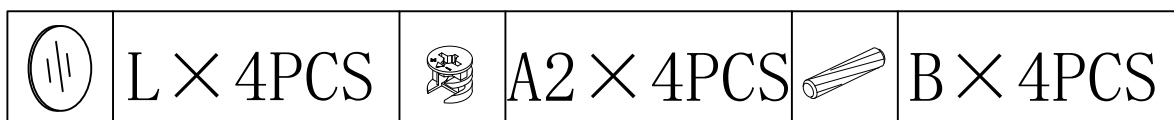
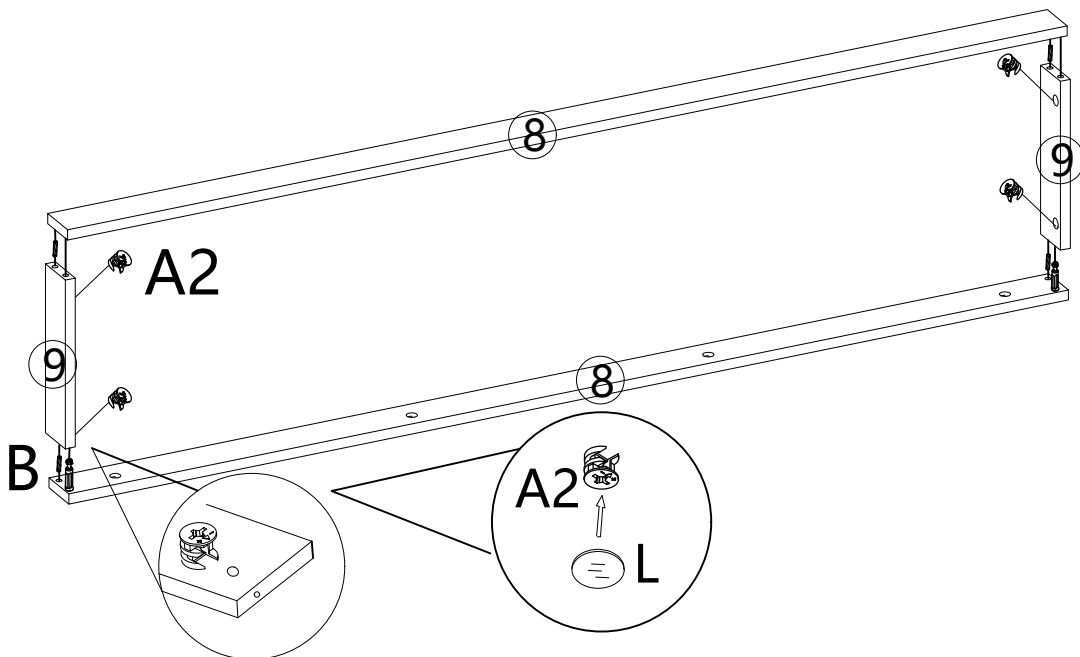
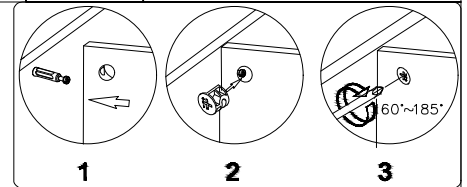
III



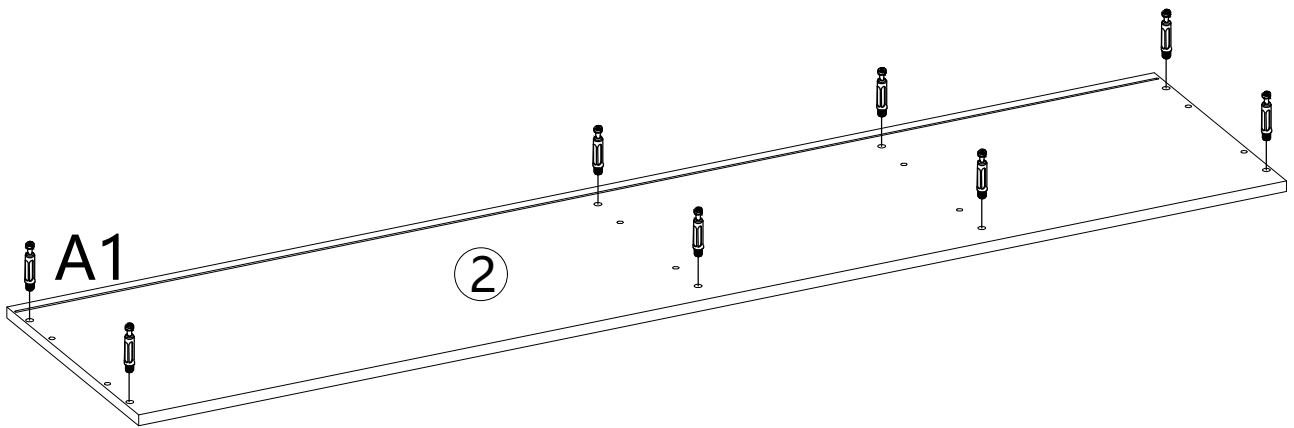
STEP 1



STEP 2

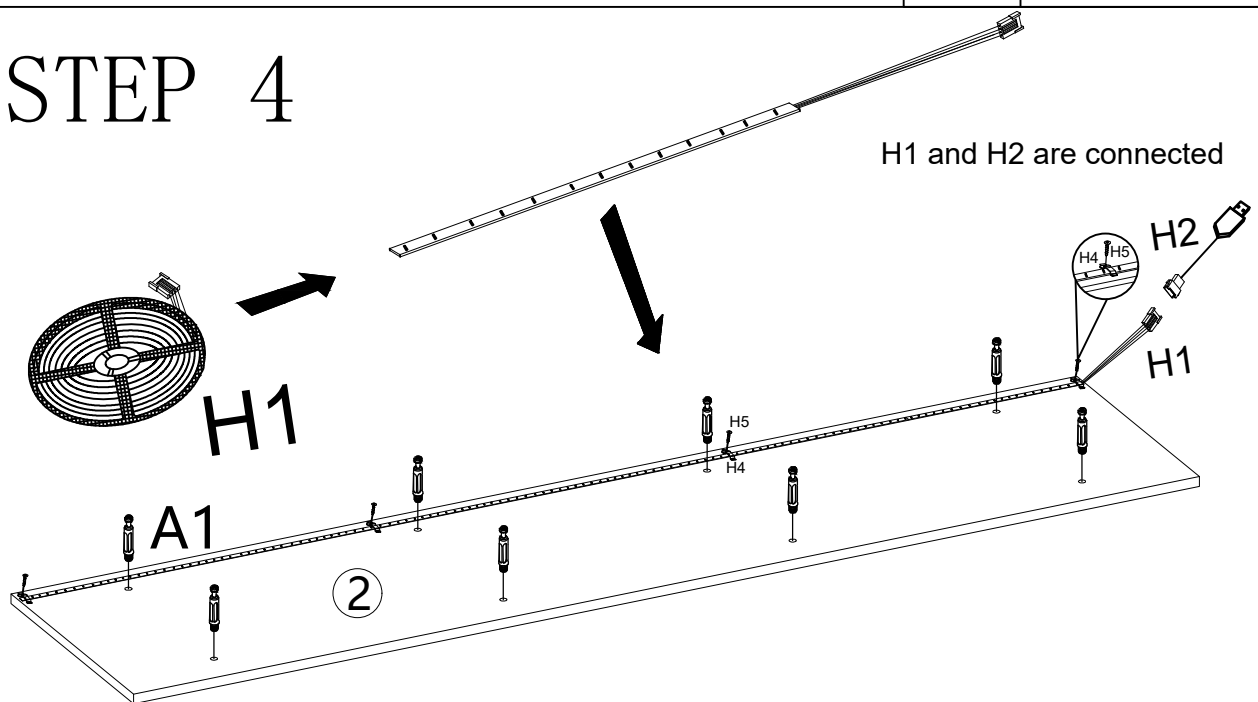







STEP 3



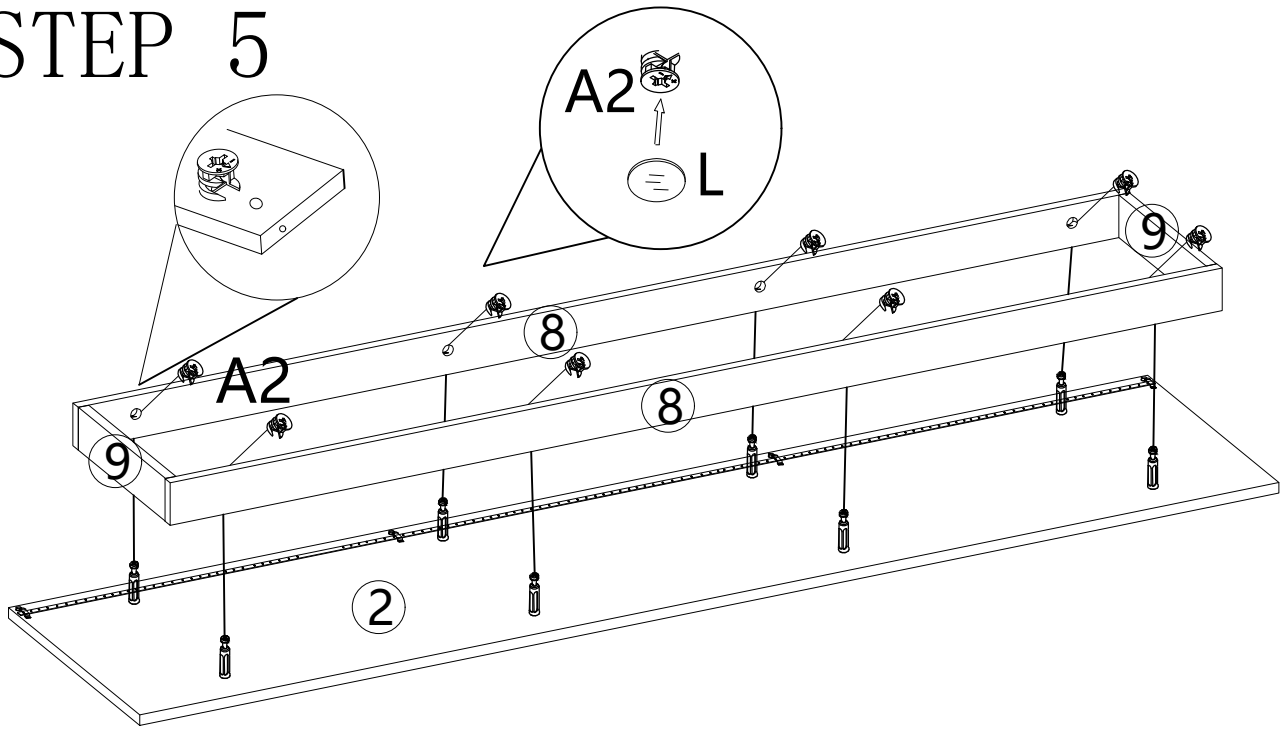
	A1 × 8PCS
---	-----------

STEP 4



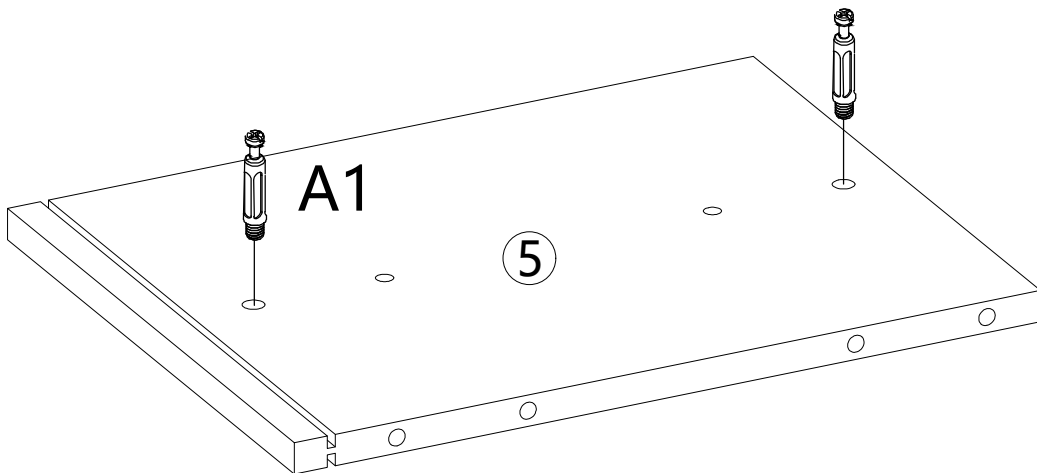
		A1 × 8PCS		H1 × 1PC	
	H2 × 1PC		H4 × 4PCS		H5 × 4PCS

STEP 5



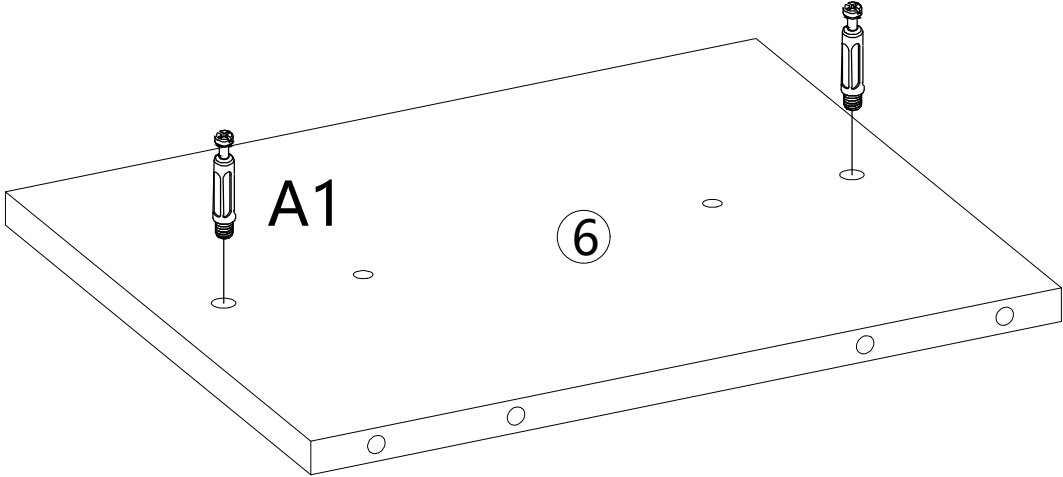
	L × 8PCS		A2 × 8PCS
--	----------	--	-----------

STEP 6



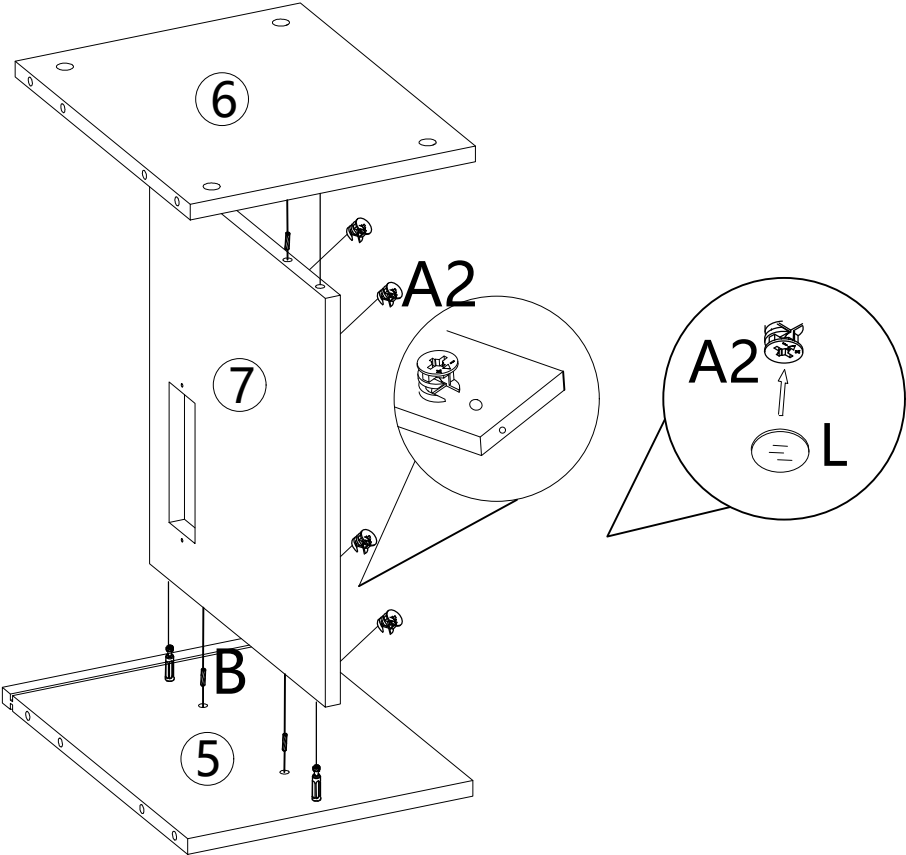
	A1 × 2PCS
--	-----------




STEP 7



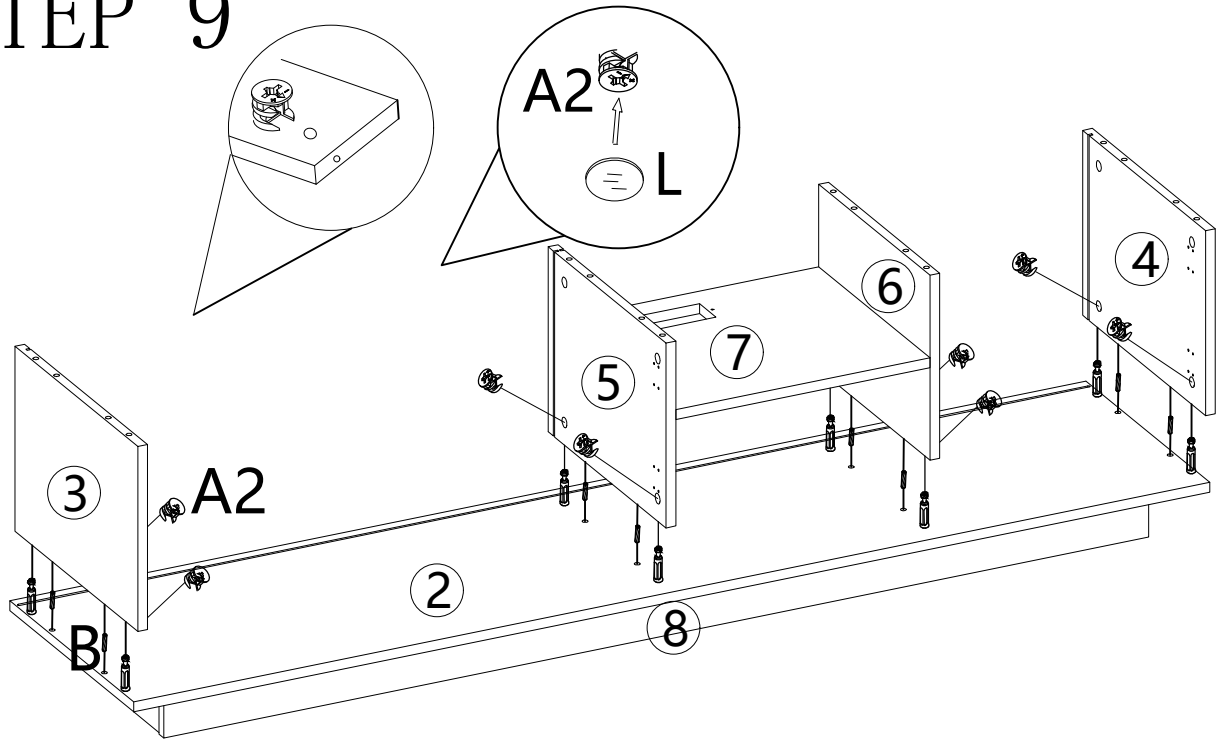
	A1 × 2PCS
---	-----------



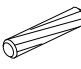
STEP 8



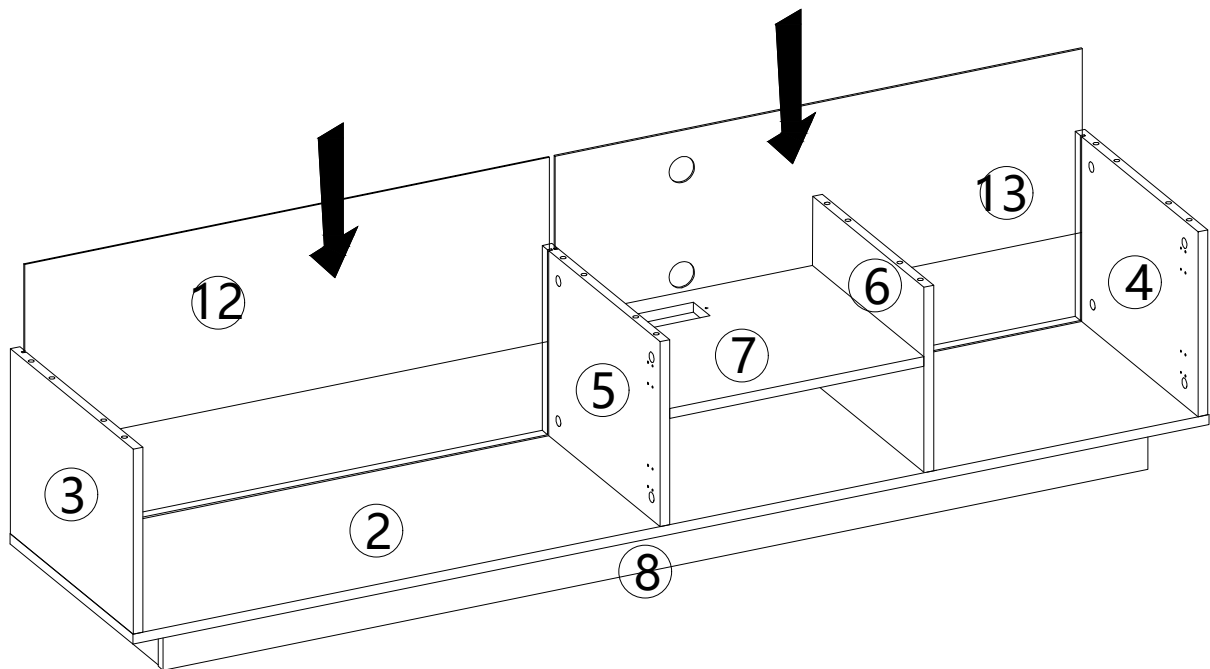
	L × 4PCS		A2 × 4PCS		B × 4PCS
---	----------	---	-----------	---	----------

STEP 9

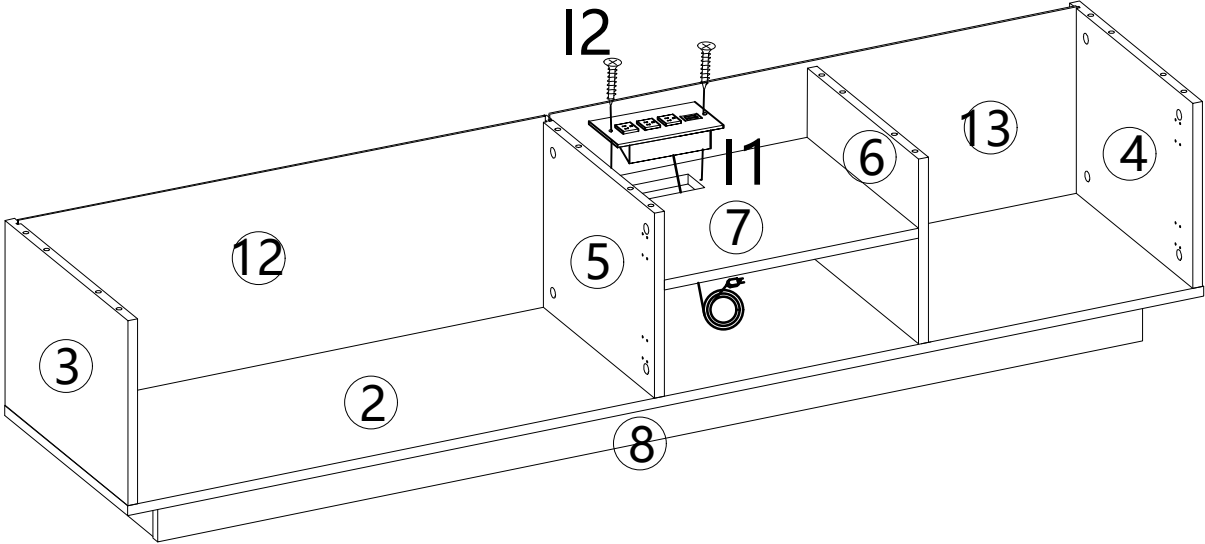




	L × 8PCS		A2 × 8PCS		B × 8PCS
---	----------	---	-----------	---	----------

STEP 10

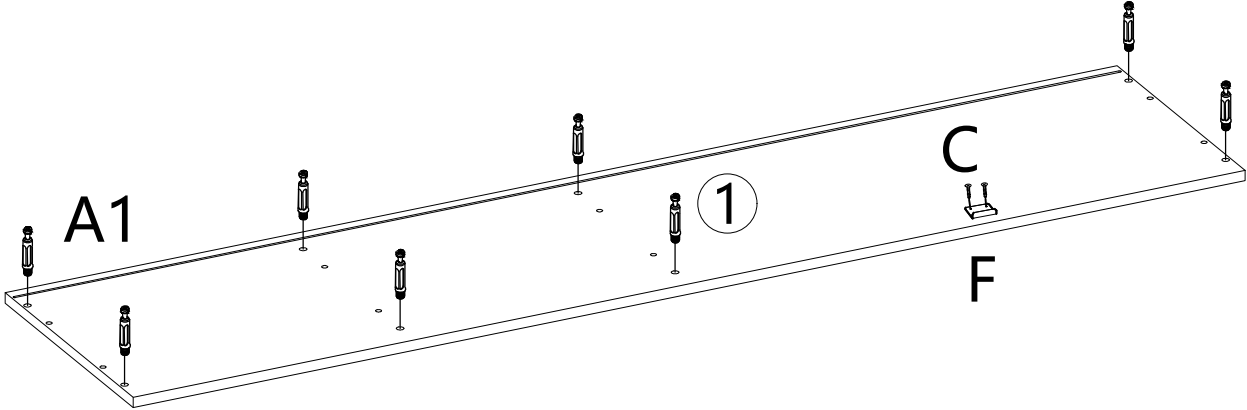


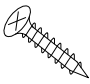
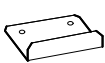

STEP 11



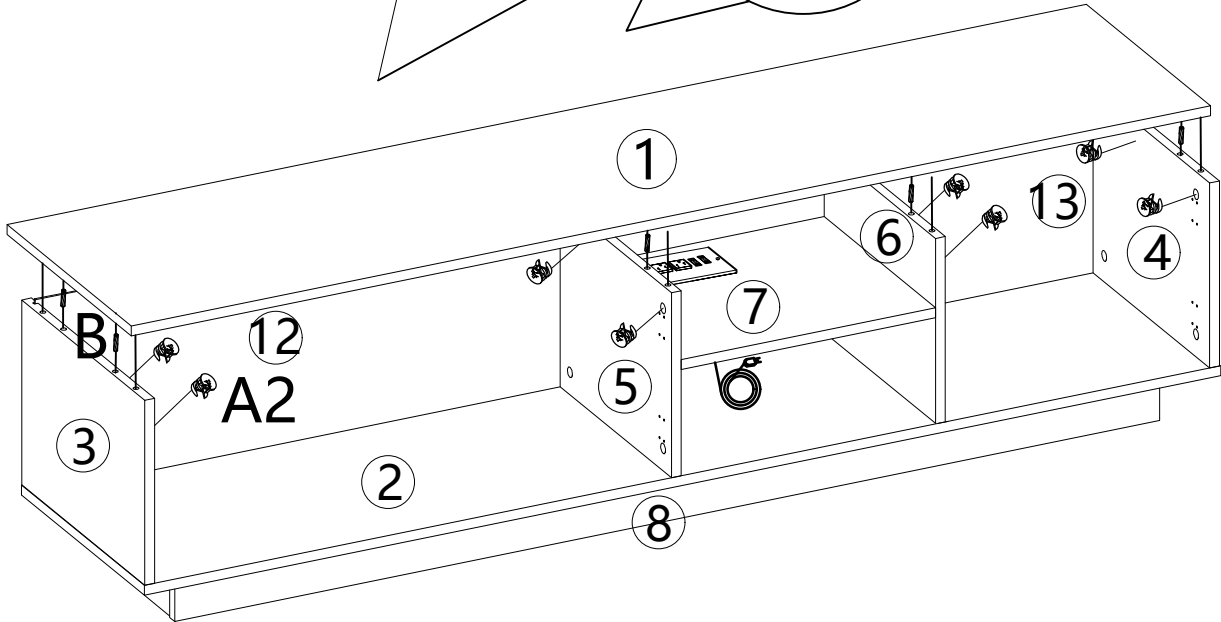
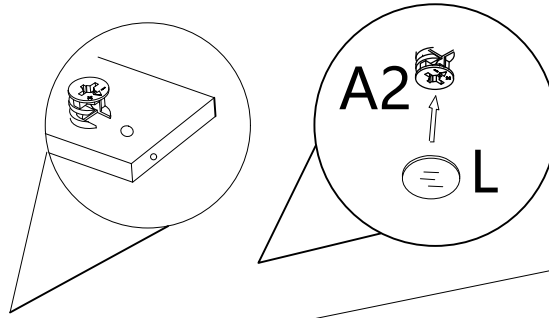
	I2 × 1PC		I1 × 1PC
---	----------	---	----------

STEP 12



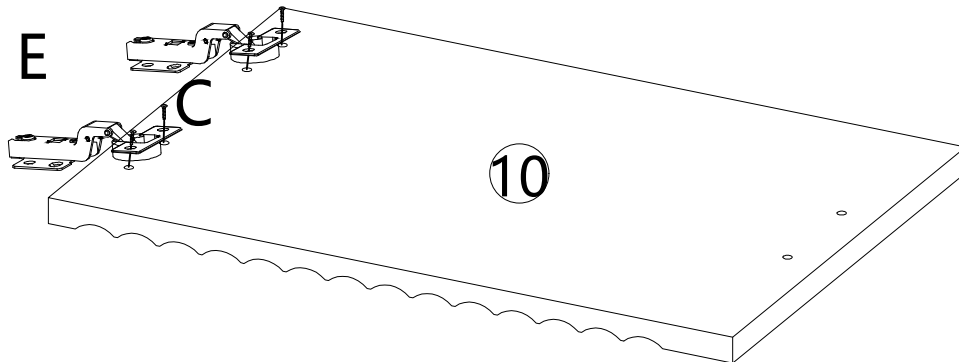
			C × 2PCS
	F × 1PC		A1 × 8PCS

STEP 13



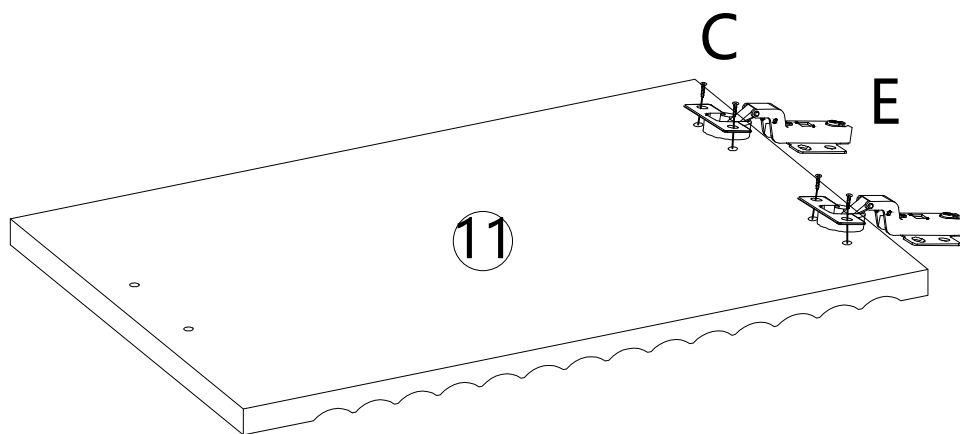
	L × 8PCS		A2 × 8PCS		B × 8PCS
--	----------	--	-----------	--	----------

STEP 14



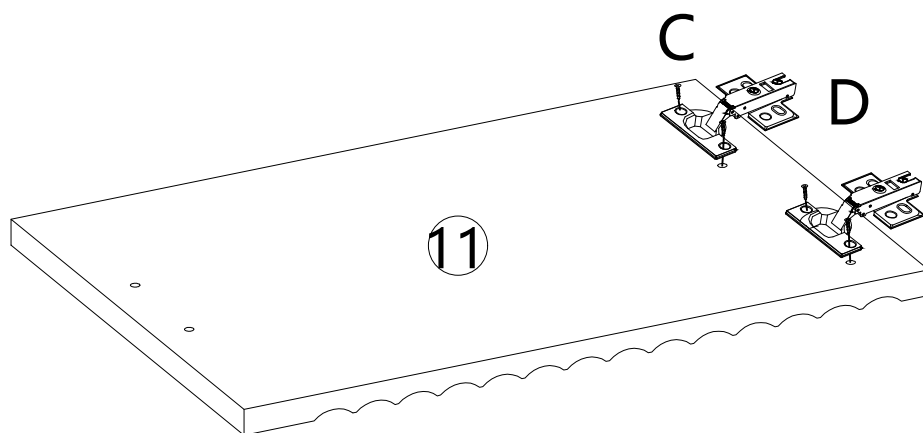
	E × 2PCS		C × 4PCS
--	----------	--	----------



STEP 15



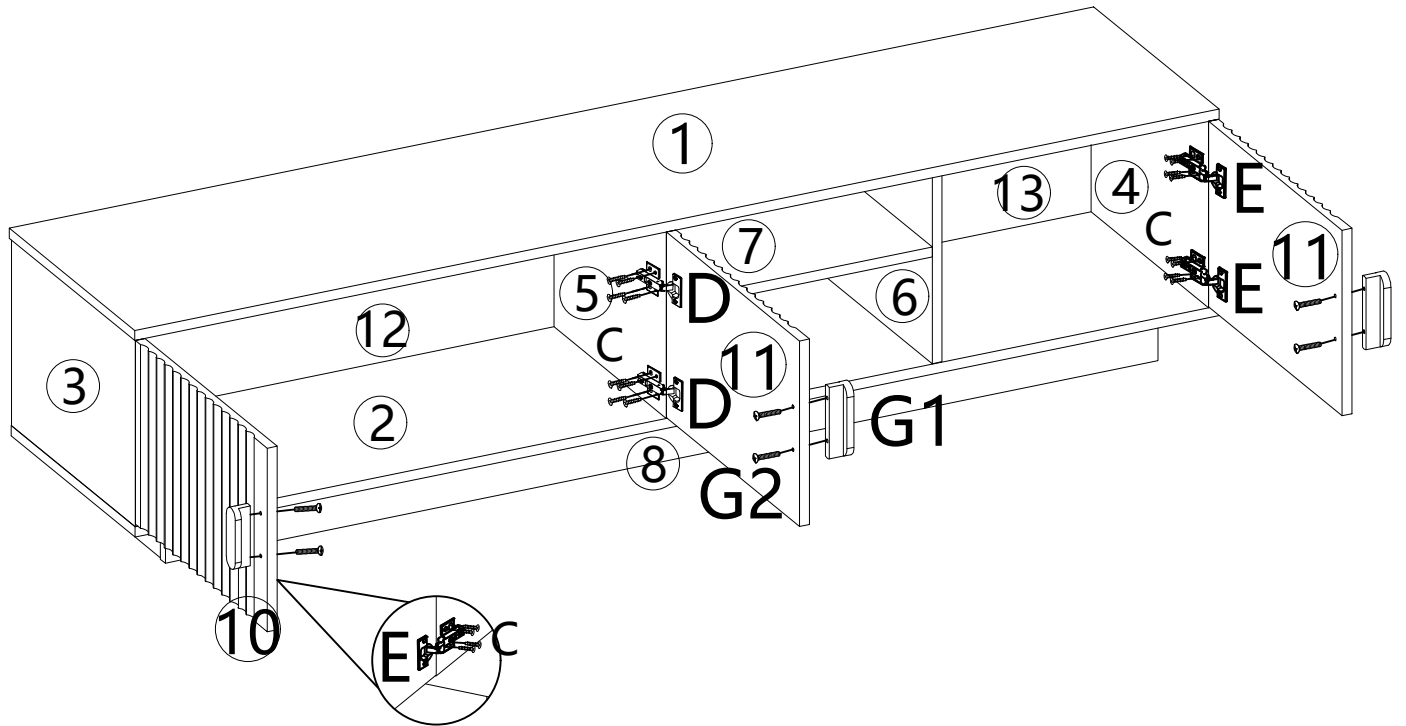
	E × 2PCS		C × 4PCS
---	----------	---	----------

STEP 16



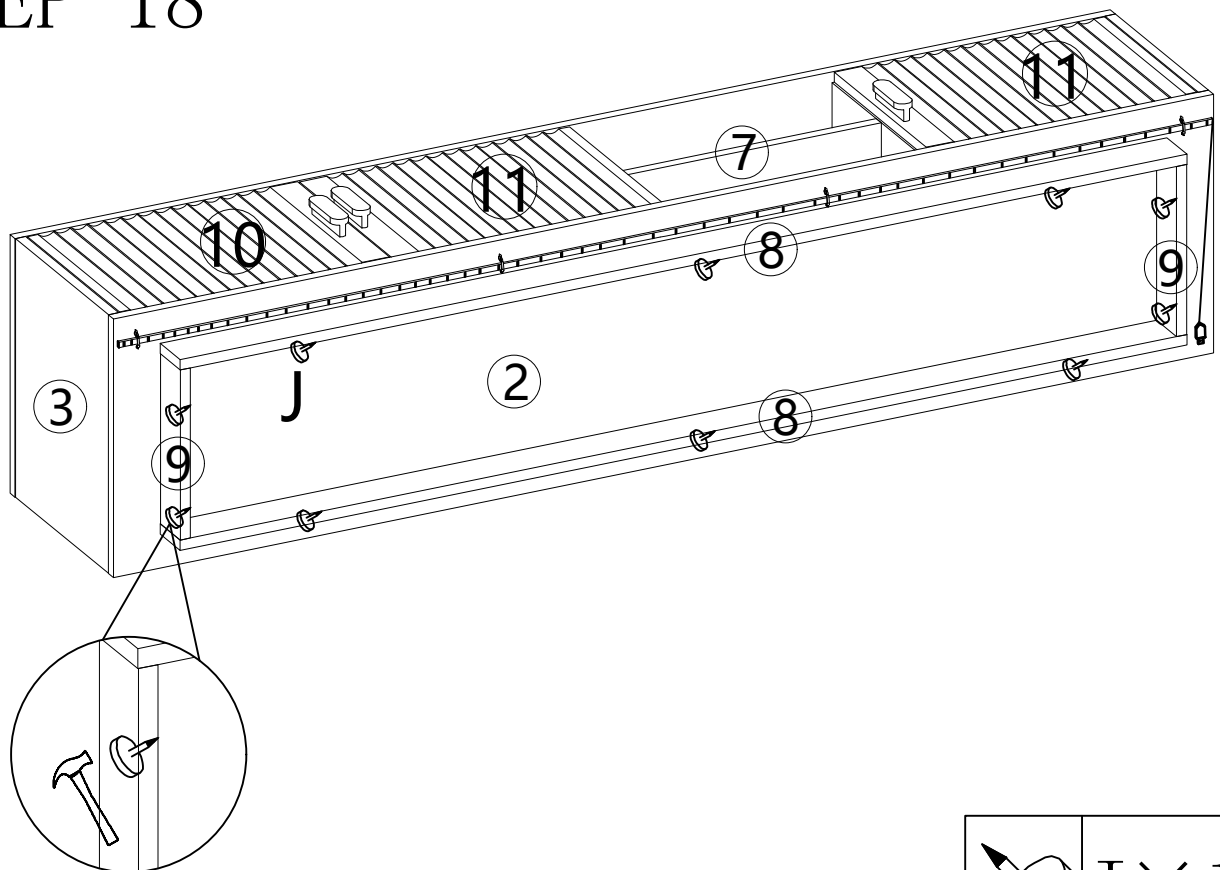
	D × 2PCS		C × 4PCS
---	----------	---	----------

STEP 17



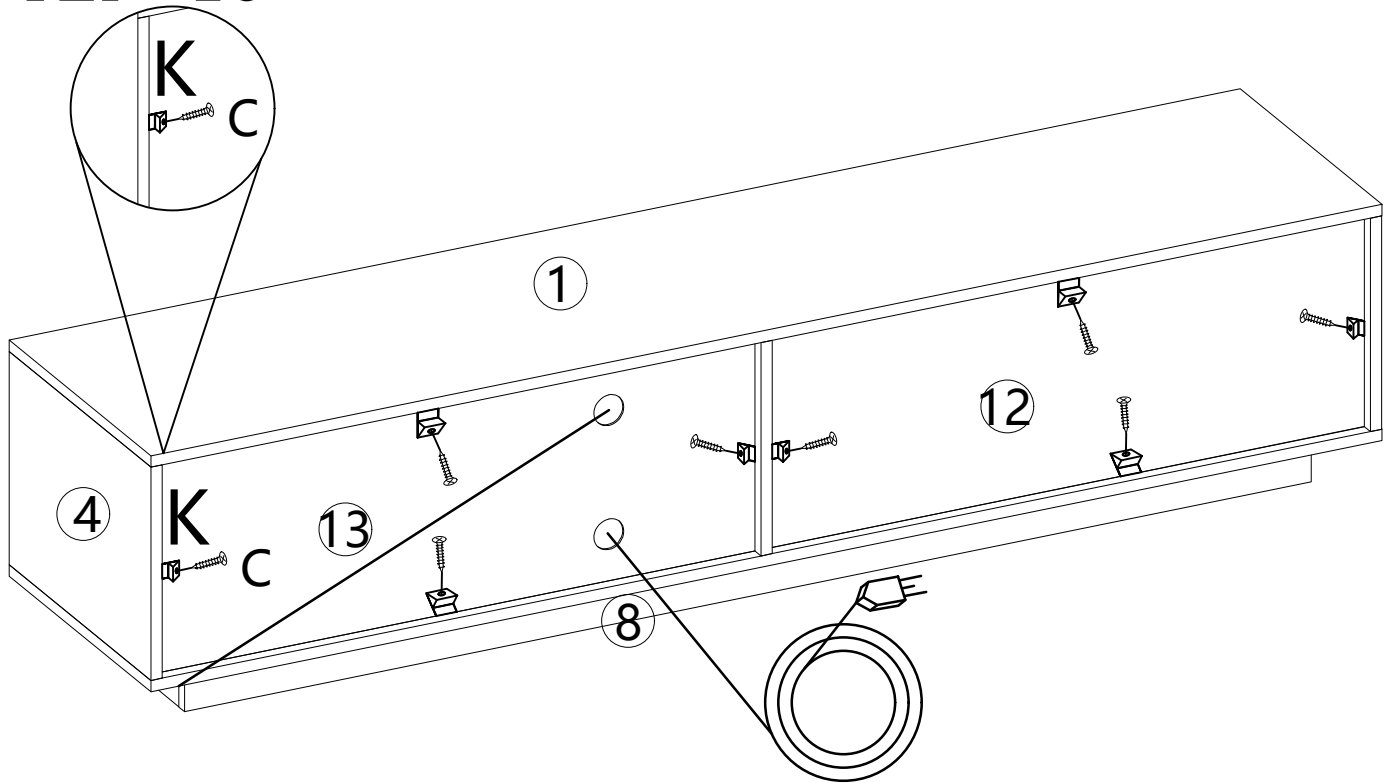
	G1 × 3PCS			G2 × 3PCS		C × 24PCS
--	-----------	--	--	-----------	--	-----------

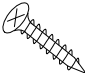
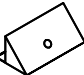
STEP 18



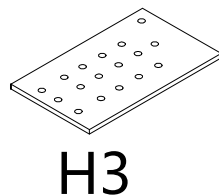
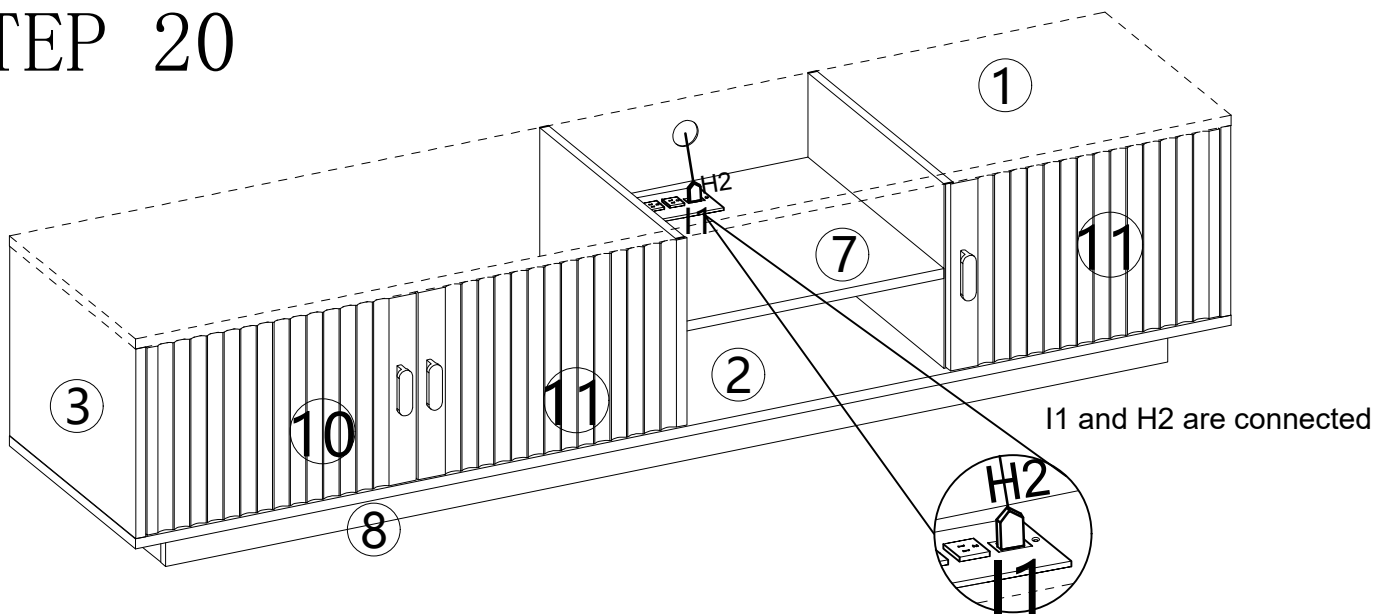
	J × 10PCS
--	-----------

STEP 19

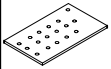


	C × 8PCS		K × 8PCS
---	----------	---	----------

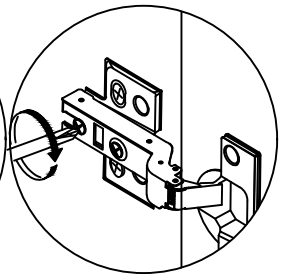
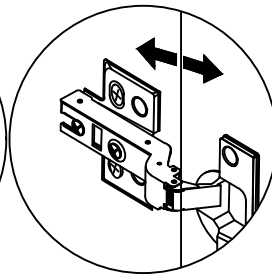
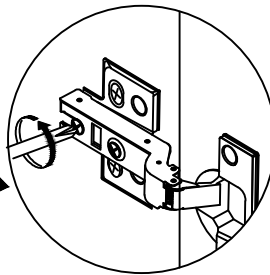
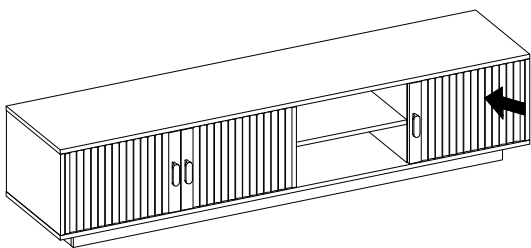
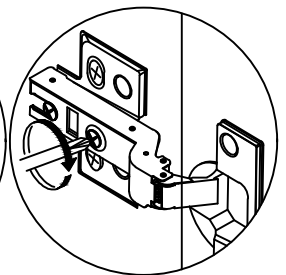
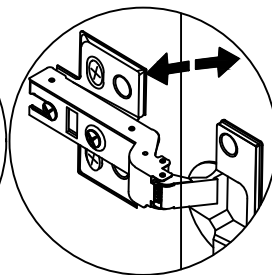
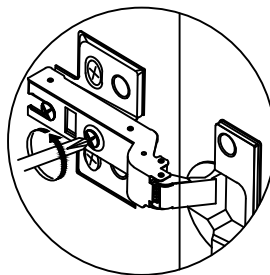
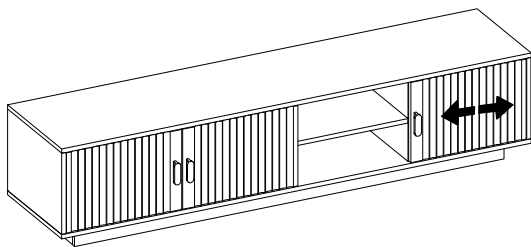
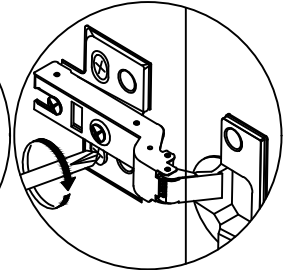
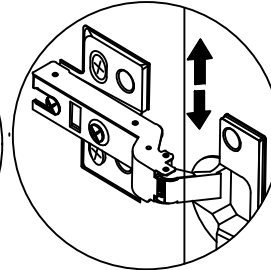
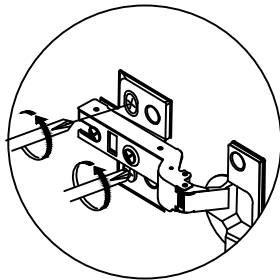
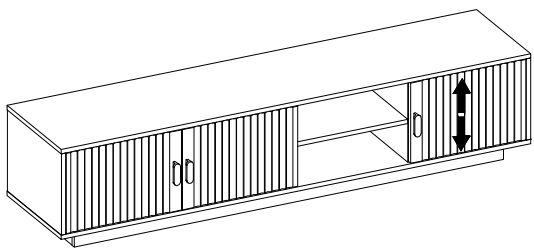
STEP 20



Last: Plug the I1 into the power supply ! H3 can be adjusted !

	H3 × 1PC
---	----------

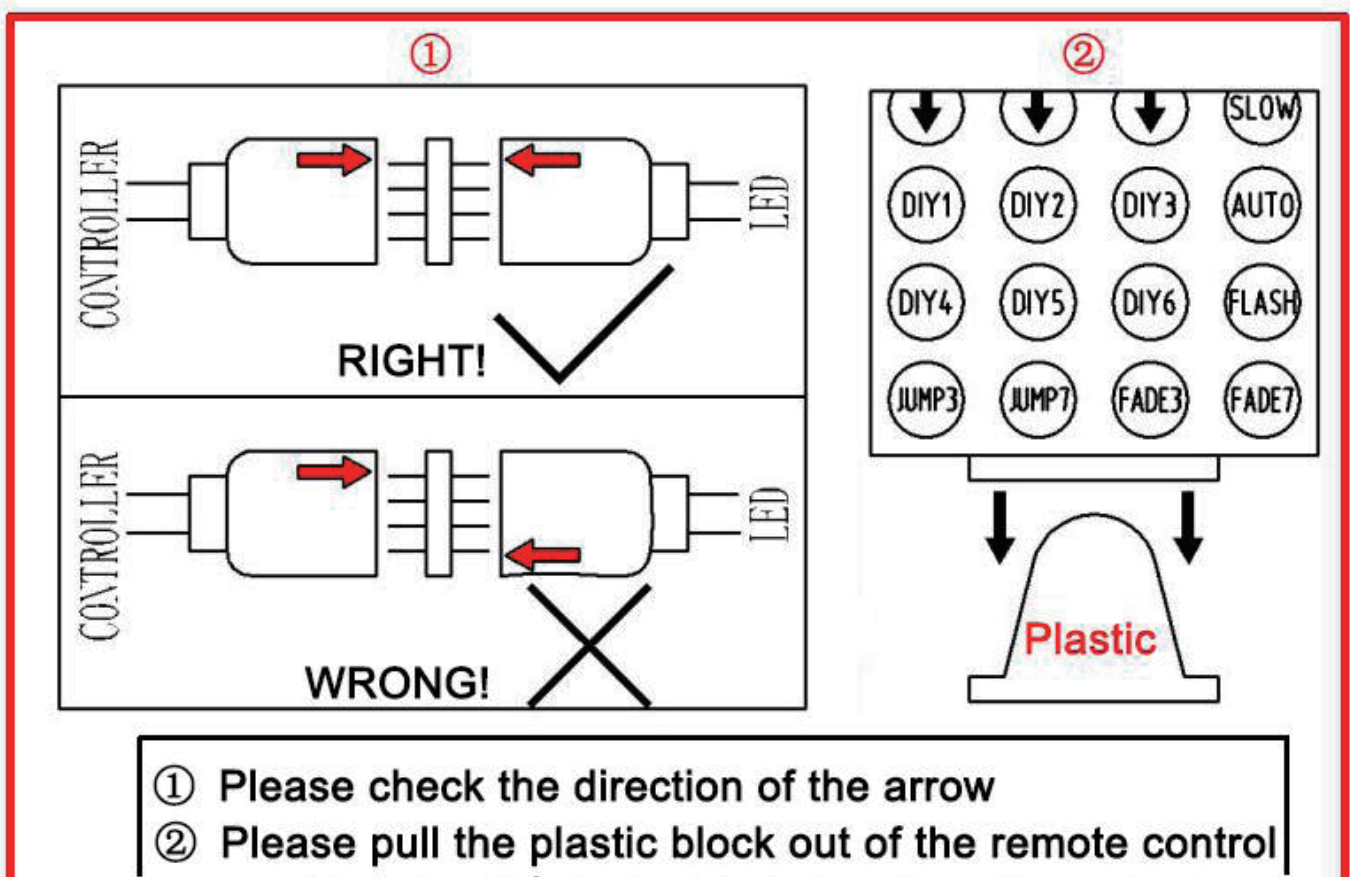
STEP 20



LED Light

If you can't let the lights work successfully, please check the following:

1. Please check the direction of the connect, try it in the opposite direction, according to the following picture.
2. Please check the remote control, it need you to tear down the plastic septum before use it.
3. Don't let the remote control too far from the receiver, make sure there is no obstruction between them.



END

