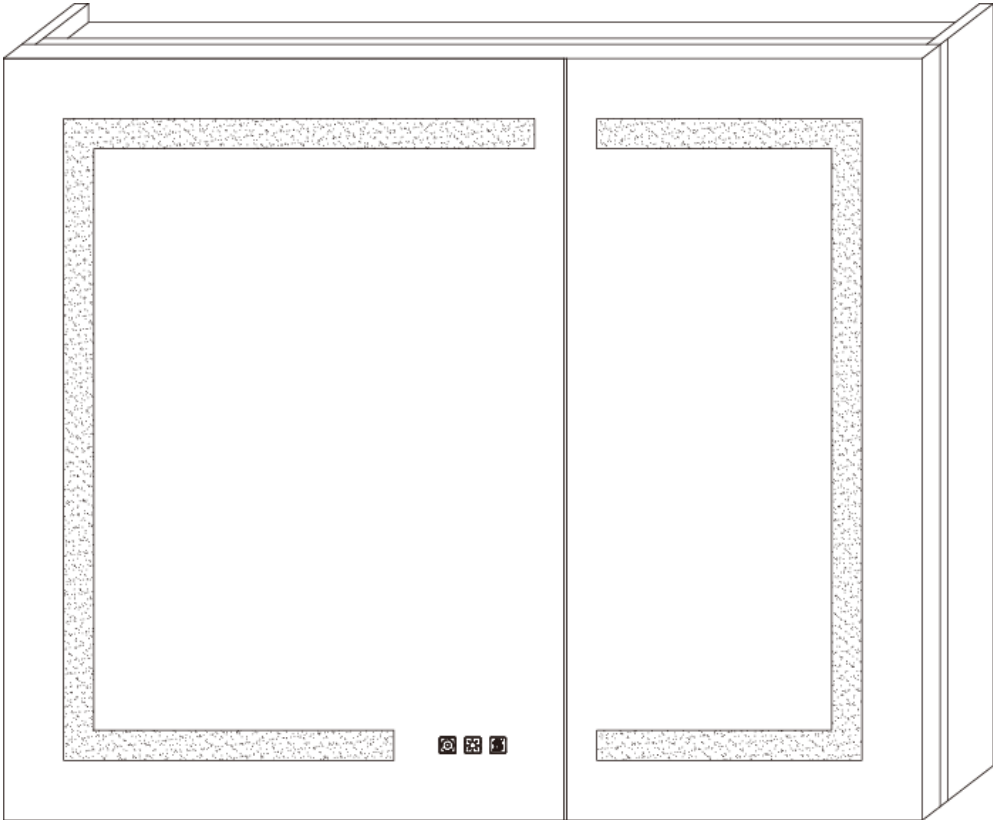
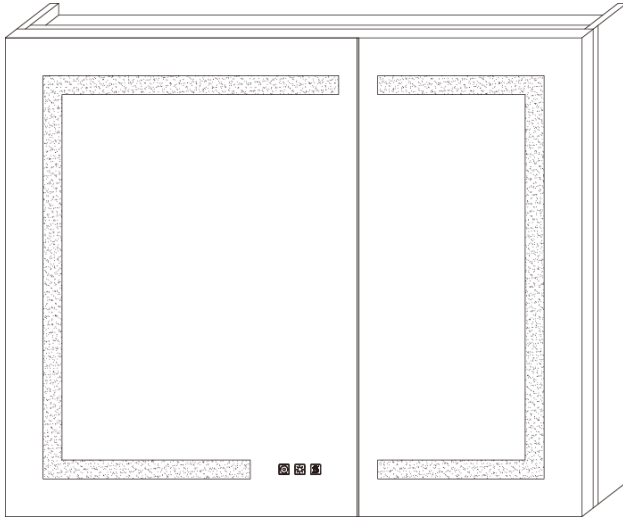


Installation and Operating Manual



Model Specification



- Aluminum Frame
- Integrated LED
- Double Side Mirror
- Adjustable Shelves
- Quiet Hinge
- Recessed or surface mount
- Color Temperature:3000-6000K
- Dimming
- Anti Fog
- Built-in 2 sockets and USB

No.	Dimension	Color	Door Type	Remark
1	20"×26"-1	Silver / Matte Black	Left Door/Right Door	Type1
2	20"×26"-2	Silver / Matte Black	Left Door/Right Door	Type2
3	20"×30"	Silver / Matte Black	Left Door/Right Door	
4	24"×30"	Silver / Matte Black	Left Door/Right Door	
5	20"×32"	Silver / Matte Black	Left Door/Right Door	
6	28"×30"	Silver / Matte Black	Double Door	
7	30"×26"	Silver / Matte Black	Double Door	
8	30"×30"	Silver / Matte Black	Double Door	
9	32"×30"	Silver / Matte Black	Double Door	
10	36"×30"	Silver / Matte Black	Double Door	
11	40"×30"	Silver / Matte Black	Double Door	
12	44"×30"	Silver / Matte Black	Double Door	
13	48"×30"	Silver / Matte Black	Triple Door	



For easy and safe installation, please refer to the following:

Read all instructions thoroughly before installing the enclosed product. Read and take note of all **Safety Precautions**, care and maintenance information.

PLEASE KEEP THIS INSTRUCTION MANUAL FOR FUTURE REFERENCE DURING PRODUCT OPERATION AND MAINTENANCE.



WARNING AND SAFETY INSTRUCTIONS

Before installing your LED Medicine Cabinet, please make sure that you carefully read through this instruction sheet, refer back to them during installation to ensure your product is fitted safely and correctly. Keep the instruction for future use.

WARNING Risk of Fire and Electric Shock

- All fittings must be installed in accordance with current IEE wiring regulations. If in doubt, please consult a qualified electrician.
- Turn breaker off the electrical supply at the main circuit board before installation and maintenance.
- Suitable for indoor use only. This product should be positioned well away from curtains and fabrics. Never cover the mirror.
- Regularly check any parts for damage, if any part is damaged the product should not be used.

INSTALLATION SAFETY

- Inspect the product immediately upon receipt for any possible damage during transportation or missing parts. Handle the product with care and protect against knocks to all sides and edges of the glass.
- Ensure there are no hidden pipes or cables in the wall before drilling and sawing.
- Wear suitable safety glasses when drilling. Take care if drilling on tiled surfaces in case the drill slips.

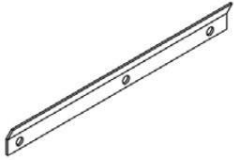
CAUTION

The light source of this product is non-changeable light diodes (LED). **Do not disassemble the product**, as the light diodes can cause damage to the eyes.

NOTE: The important safeguards and instructions that appear in this manual are not meant to cover all possible conditions and situations that may occur. It must be understood that common sense, caution and care are factors that can't be built into any product. These factors must be supplied by the person(s) caring for and operating the fixture. Do not install this fixture in hazardous locations.

PARTS SUPPLIED

Z- Mounting Bar
×1



Z-Supporting Hook
×1



Z-Hook Screw
×2



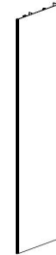
Spare Support
×4~8



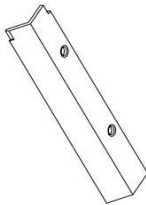
Wire Cap
×3



Side Panel
×2



Side Panel Covers
×4



Side Panel Cover Screws
×10



Anchors
×5~9



Anchor Screws
×5~9



Shelves
×2~6



Hinge Covers
×2~8

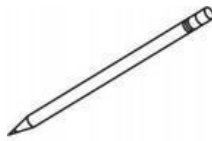


TOOLS REQUIRED

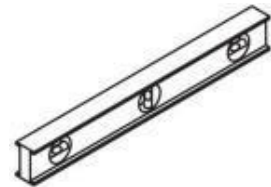
Drill



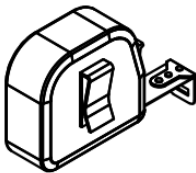
Pencil



Level



Tape



Gloves



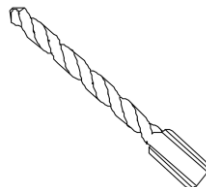
Safety Glasses



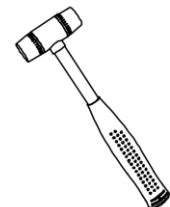
**Phillip
Screw Driver**



**Drill Bit
10mm(3/8")**



Hammer



Installation Instruction



The medicine cabinet supports two installation methods: **1.Surface Installation** and **2.Embedded Installation**.

Please choose the installation way as needed.

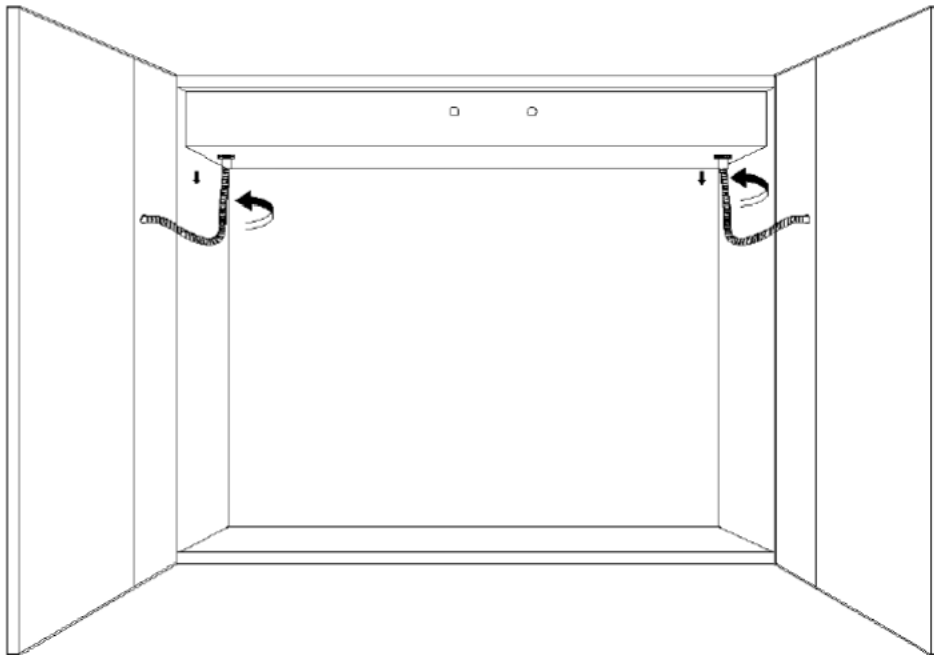


Some cabinet doors will be separated from the cabinet to reduce packaging volume. Please install the cabinet door after completing the cabinet installation according to the instruction.

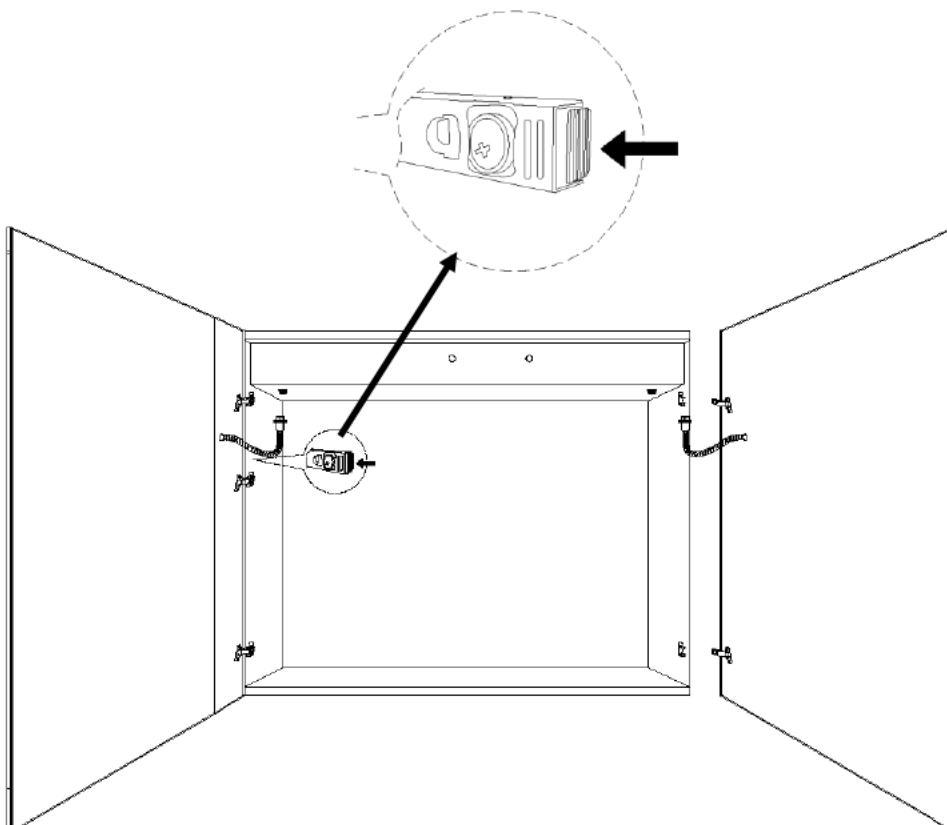
The installation instructions for the cabinet door is at the end of the installation instructions.

Before installing the medicine cabinet, please remove the cabinet doors first. This will make the installation easier and more convenient.

1. First, disconnect the wires from the cabinet doors.

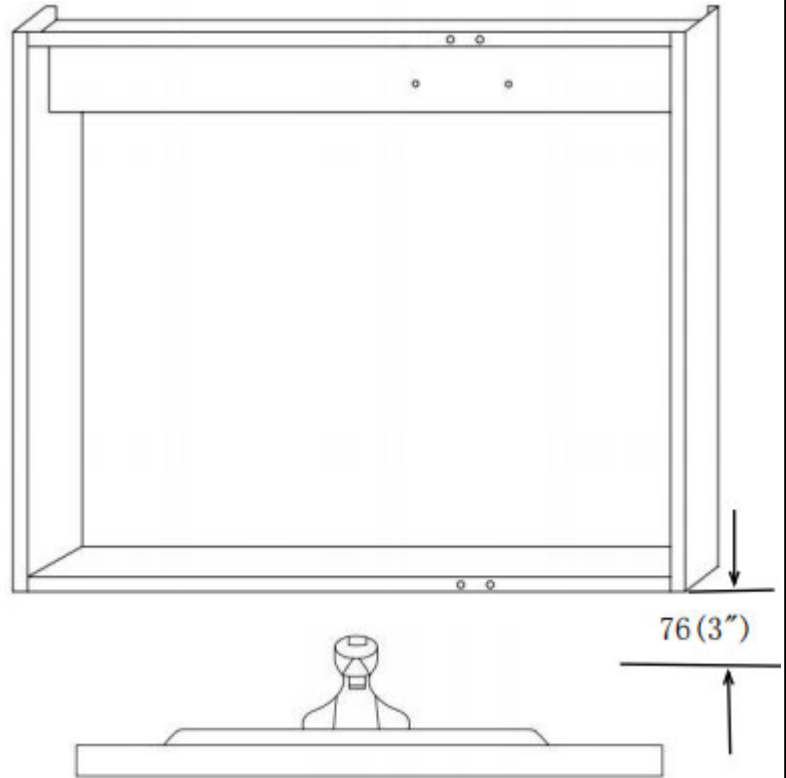


2. Then, press the end of the hinges and detach the cabinet door.



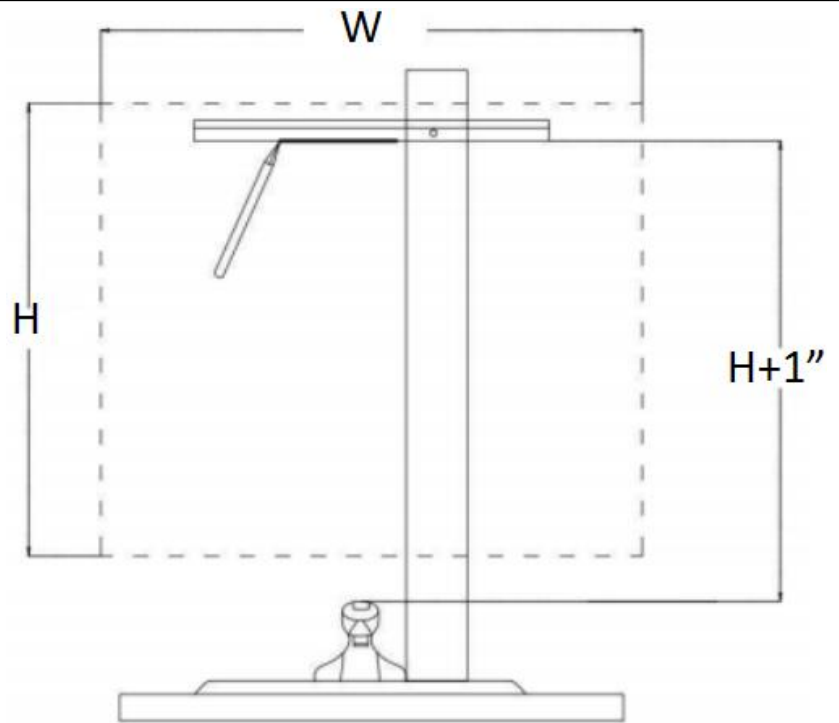
Surface Installation Instruction

Verify minimum clearances



STEP 1

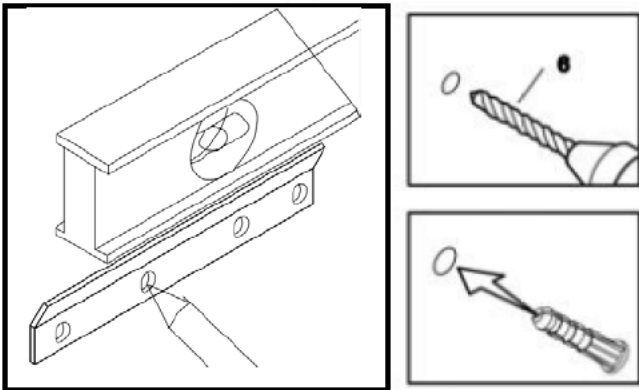
H is the total height of the mirror cabinet, and W is the total width of the mirror cabinet



STEP 2

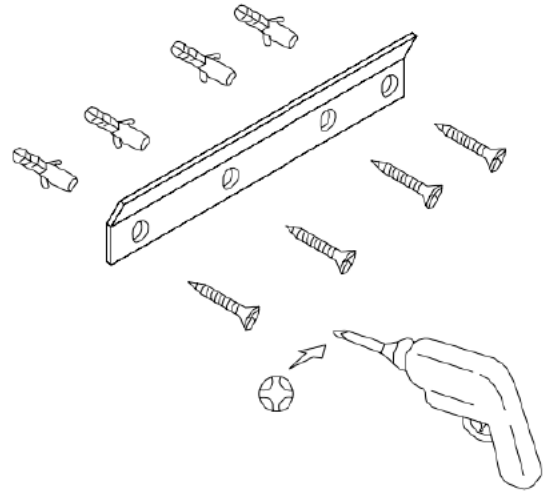
Surface Installation Instruction

Mark hole locations on the wall. Drill holes. Insert anchors where needed.

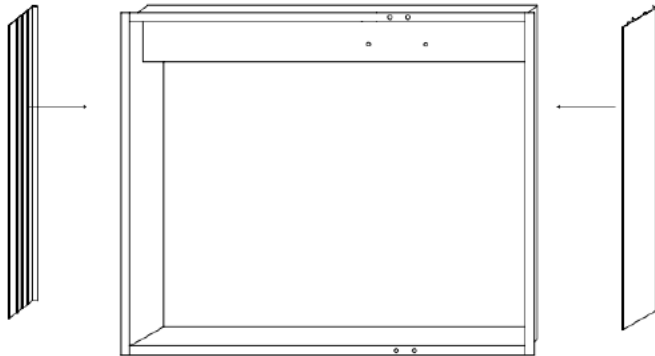


STEP 3

Secure the bar with Flat head screws



STEP 4

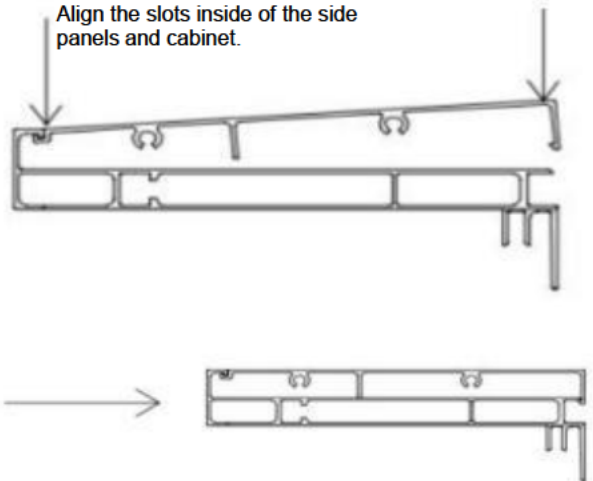


STEP 5



Press down the side panels until they are clamped tightly with the cabinet.

Align the slots inside of the side panels and cabinet.

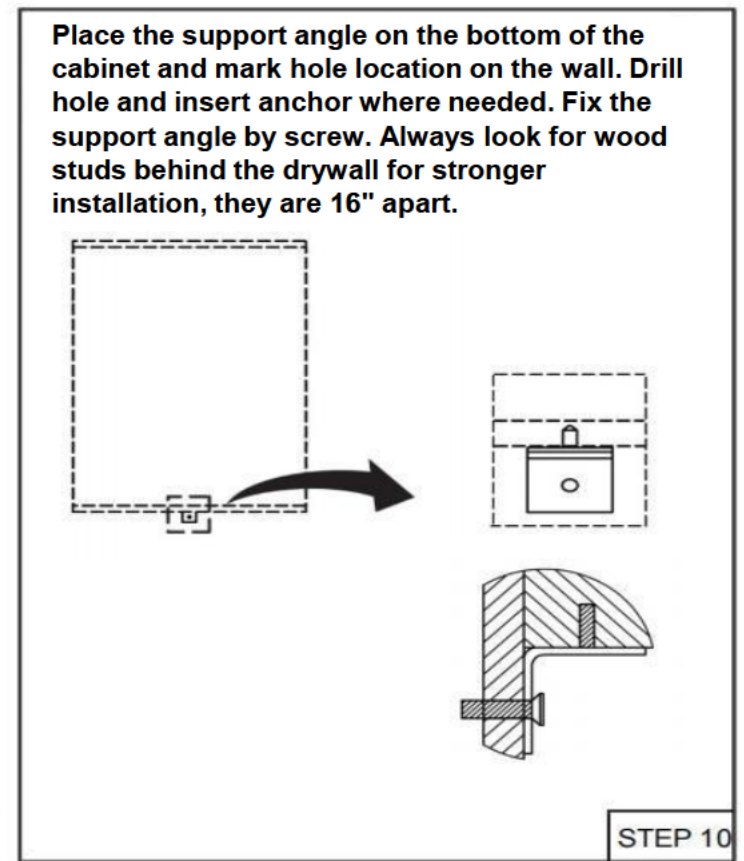
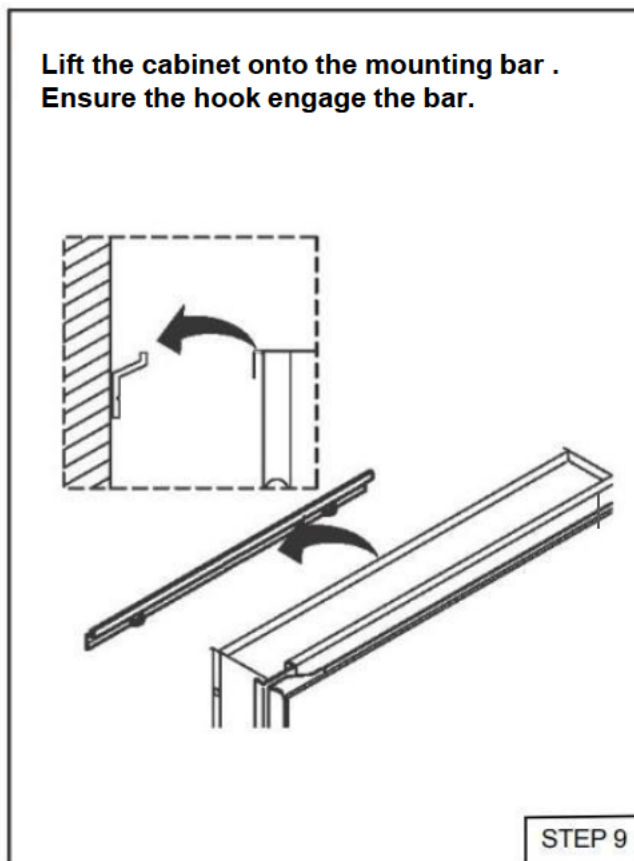
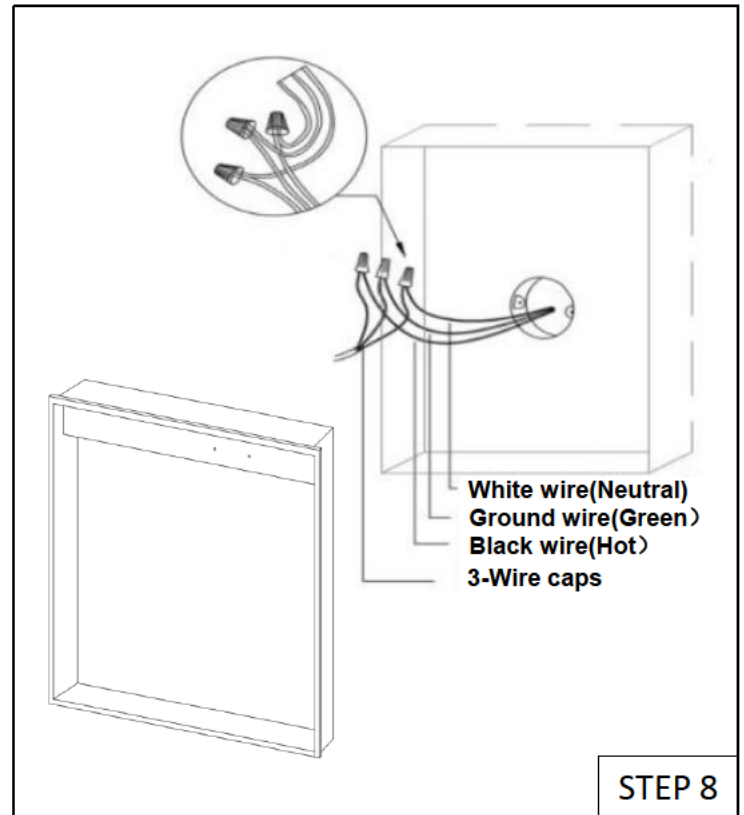
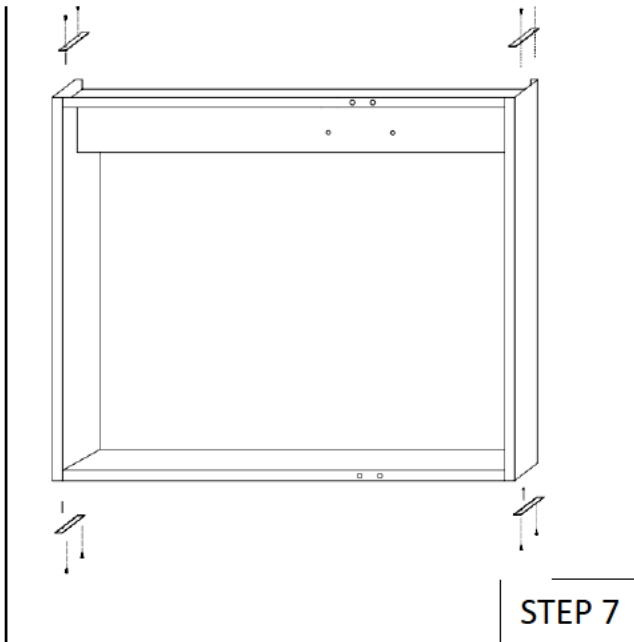


STEP 6

The side panels and cabinets are individually packaged, you need follow the STEP 5 to STEP 6 to install the side panels for surface mounting, for embedded installation no need install the side boards.

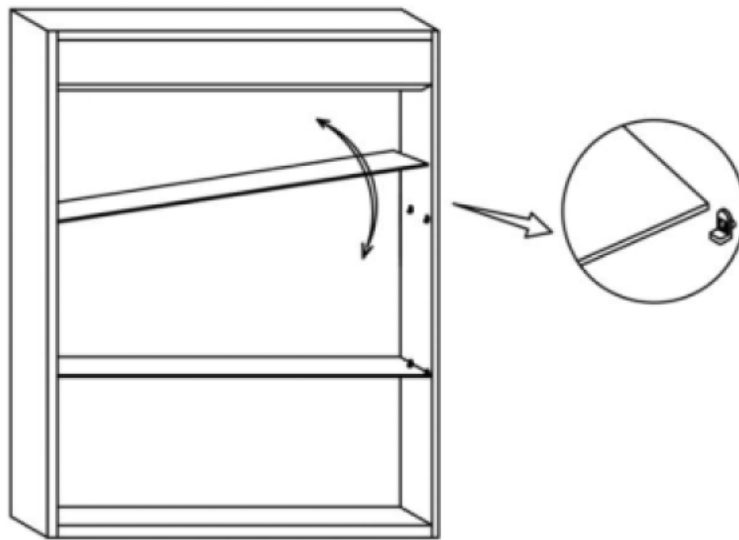
Surface Installation Instruction

For certain models, there are reserved wiring ports on both sides, intended for connecting other products. If you don't need to use them, please neatly organize the wires.



Surface Installation Instruction

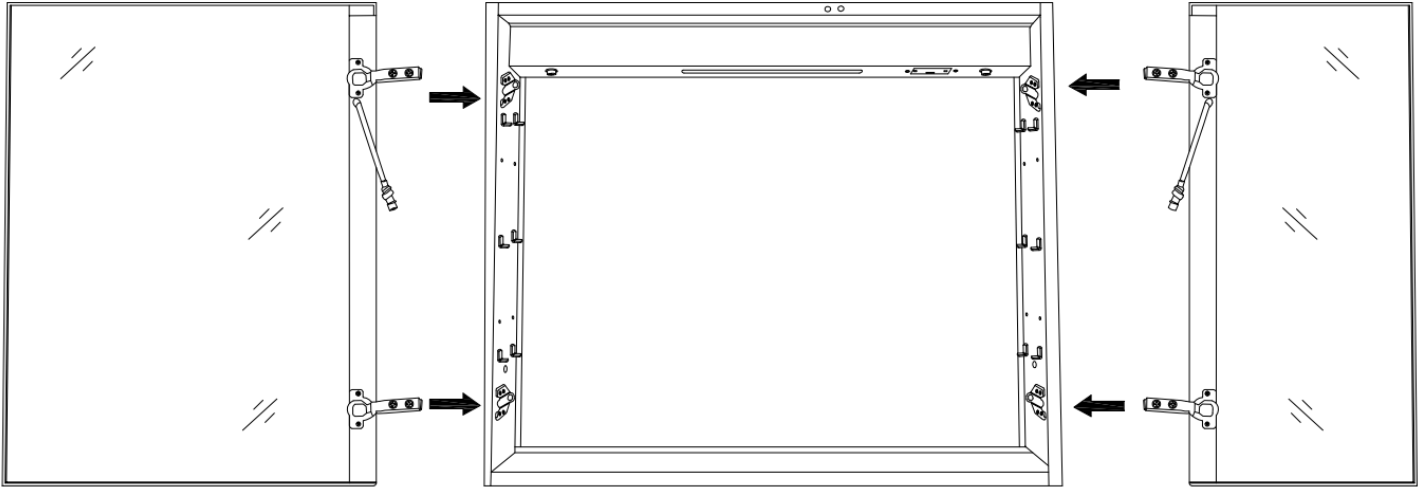
Insert the glass shelves between the layer board clips.



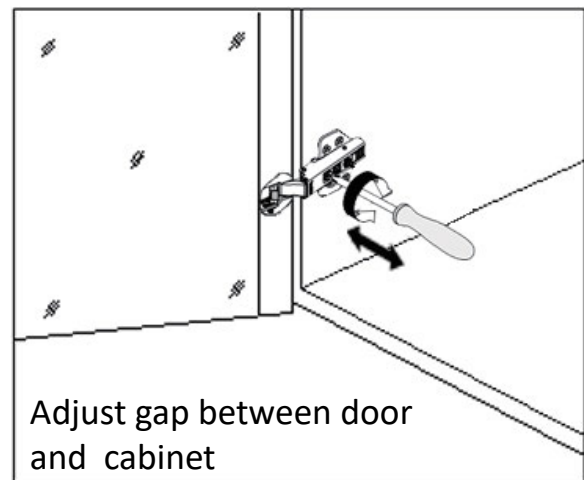
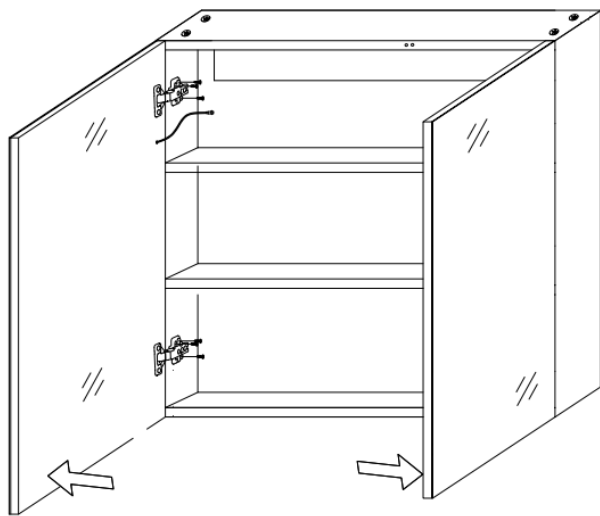
STEP 11

Step12: Cabinet Door Installation

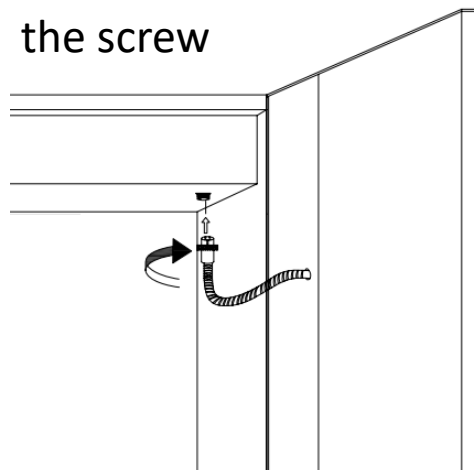
1. Insert the hinges to the base ,then connect the doors with the cabinet



2.If necessary , adjust corresponding screws on the hinge to align the doors, ensure that gaps are even and the doors open and close smoothly

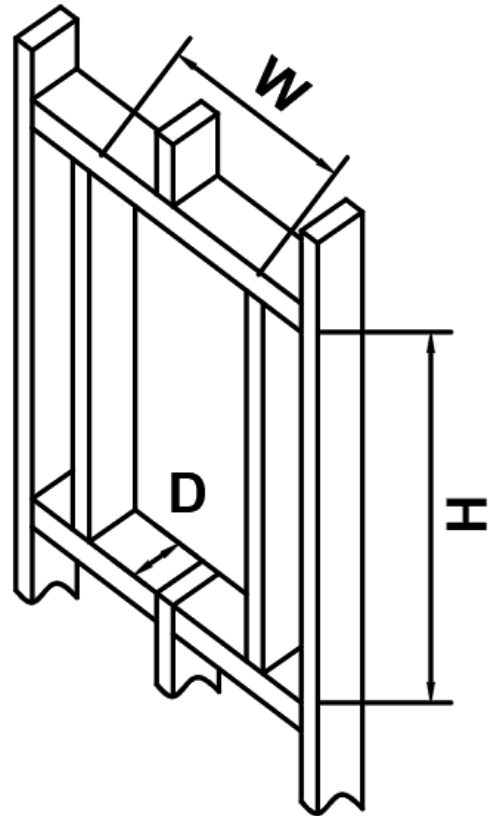


3. Insert the wire on the door into the terminal on the cabinet and tighten the screw



Embedded Installation Instruction

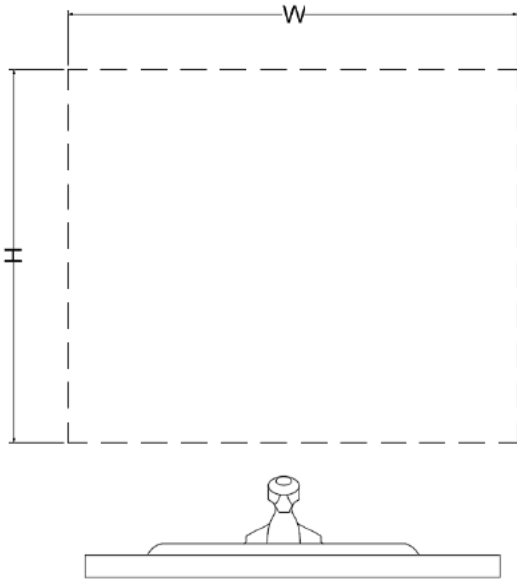
Before installing, it is necessary to determine the opening size, which can be referred to in the table below.



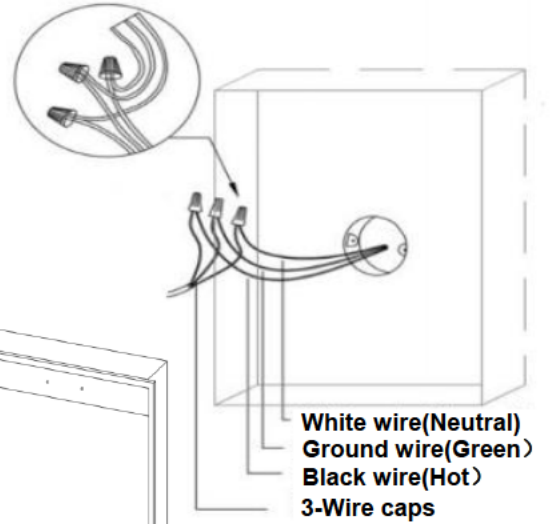
Embedded Installation Dimension				
No.	Dimension	W/inch	H/inch	D/inch
1	20"×26"	19-1/4	25-1/4	4-3/8
2	20"×30"	19-1/4	29-1/4	4-3/8
3	20"×32"	19-1/4	31-1/4	4-3/8
4	24"×30"	23-1/4	29-1/4	4-3/8
5	28"×30"	27-1/4	29-1/4	4-3/8
6	30"×26"	29-1/4	25-1/4	4-3/8
7	30"×30"	29-1/4	29-1/4	4-3/8
8	32"×30"	31-1/4	29-1/4	4-3/8
9	36"×30"	35-1/4	29-1/4	4-3/8
10	40"×30"	39-1/4	29-1/4	4-3/8
11	44"×30"	43-1/4	29-1/4	4-3/8
12	48"×30"	47-1/4	29-1/4	4-3/8

Embedded Installation Instruction

Determine the size of the opening

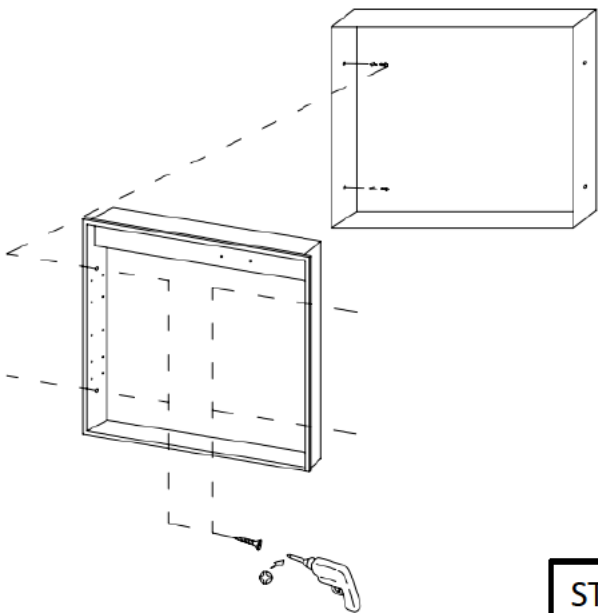


STEP 1

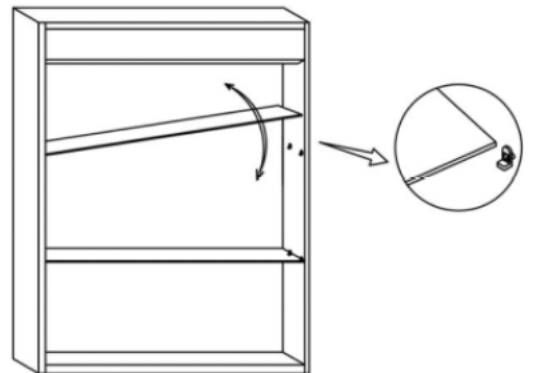


STEP 2

For certain models, there are reserved wiring ports on both sides, intended for connecting other products. If you don't need to use them, please neatly organize the wires.



STEP 3

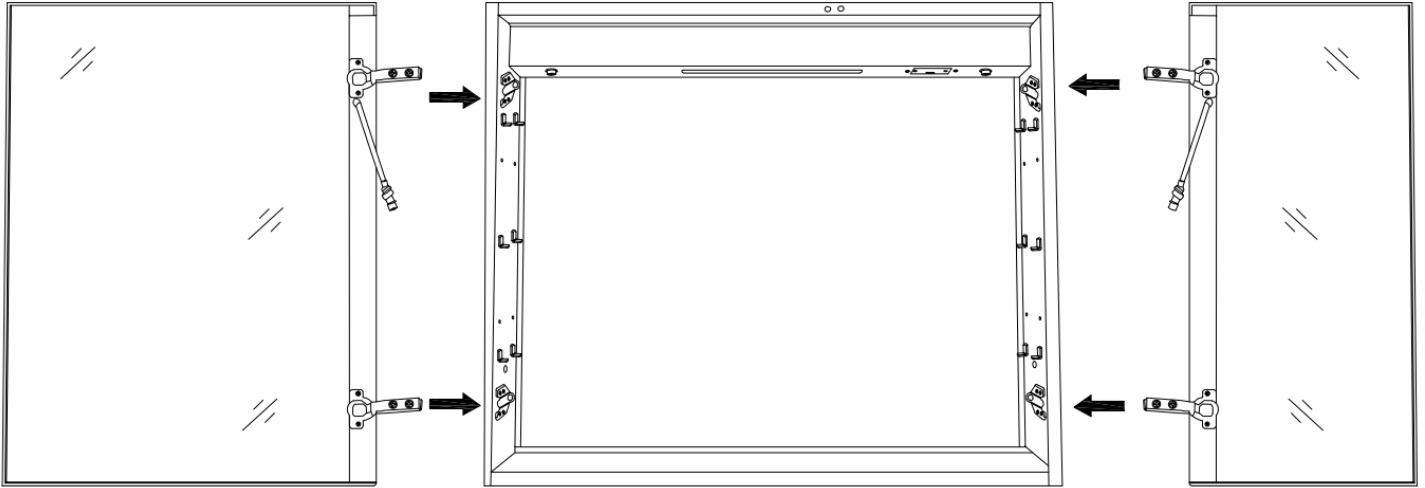


STEP 4

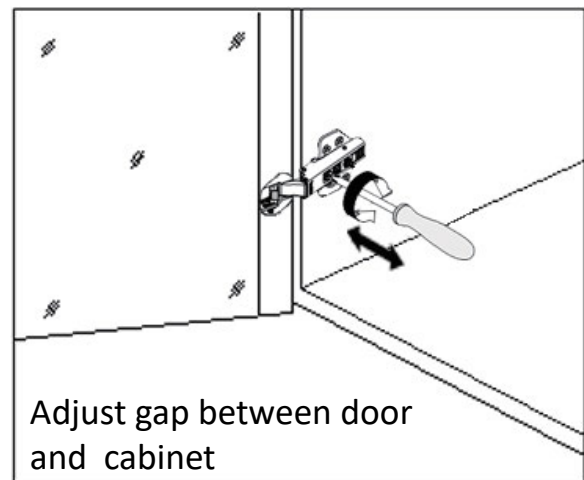
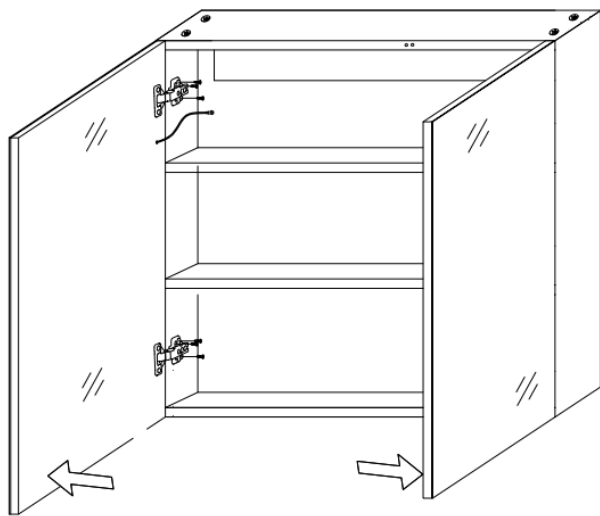
*All diagrams are for reference only. All model dimensions and proportion position will vary.

Step5: Cabinet Door Installation

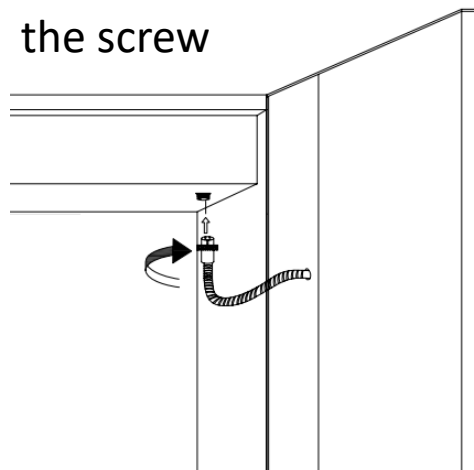
1. Insert the hinges to the base ,then connect the doors with the cabinet



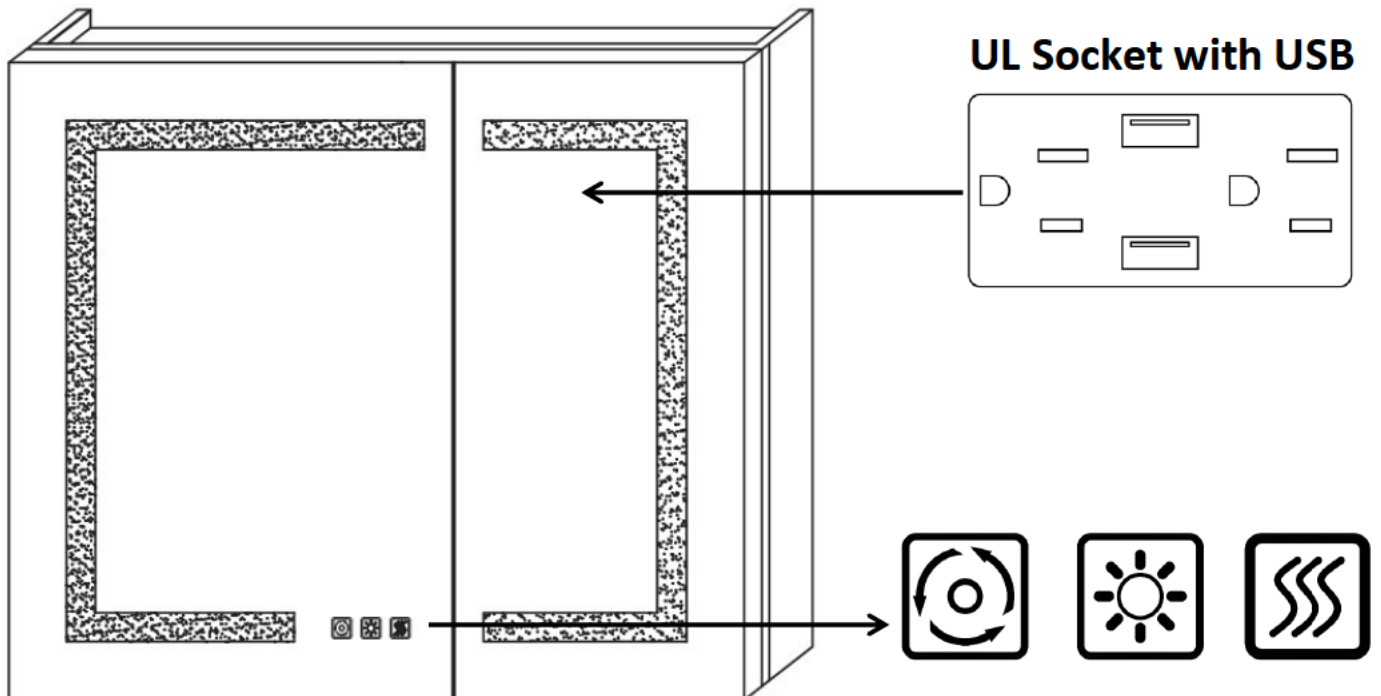
2. If necessary , adjust corresponding screws on the hinge to align the doors, ensure that gaps are even and the doors open and close smoothly



3. Insert the wire on the door into the terminal on the cabinet and tighten the screw



Operating Manual



The buttons turn blue when connected to the main power supply and turn white after a brief touch.



- Briefly touch the button to turn the mirror on or off.
- Press and hold the button to change the color temperature when the mirror is on.
- Optional to be wired to wall switch by ON/OFF memory function.



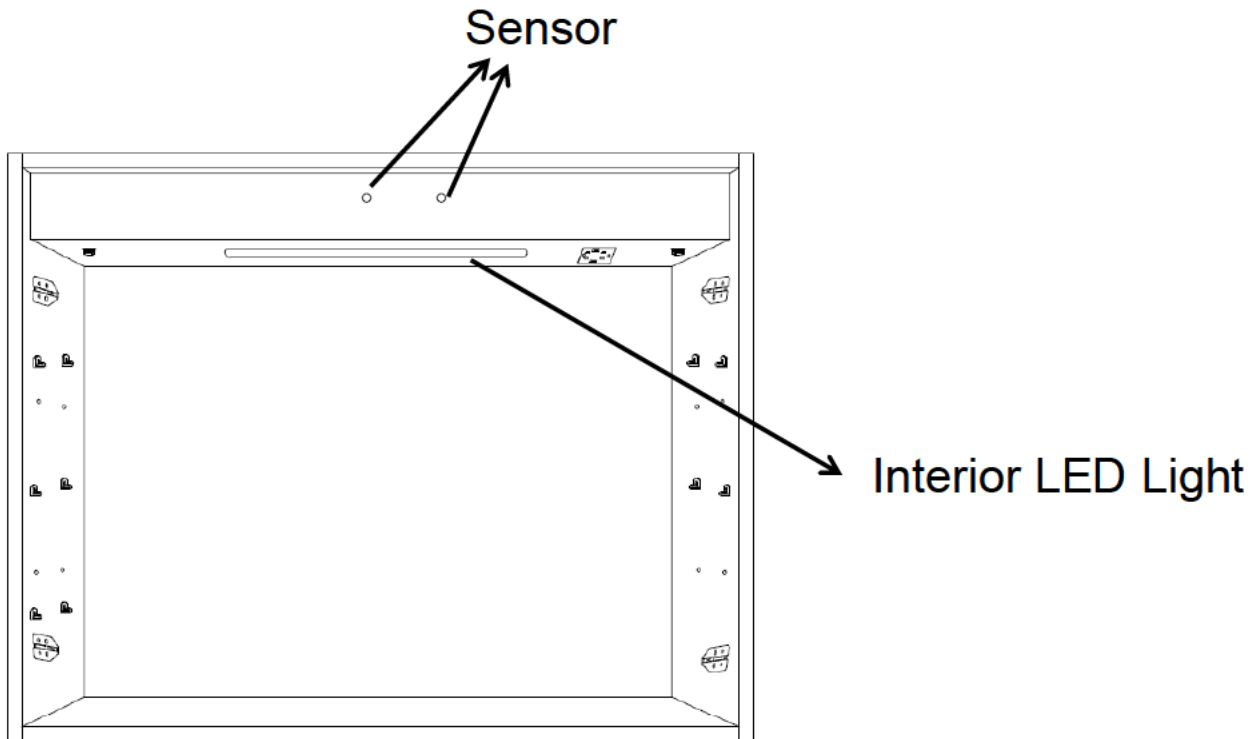
- Briefly touch the button to turn the mirror on or off.
- Press and hold the button to adjust the brightness.
- Release the button when the brightness reaches your desired level to set it.



- The mirror begins to warm up and defog after you press the defogger button.
- Press the button again to turn off the anti-fog function.
- **Press and hold the button to turn the blue backlight on or off.**
- Note: To prevent damage from prolonged high temperatures, the defogger will automatically stop after 60 minutes of continuous operation.

Operating Manual

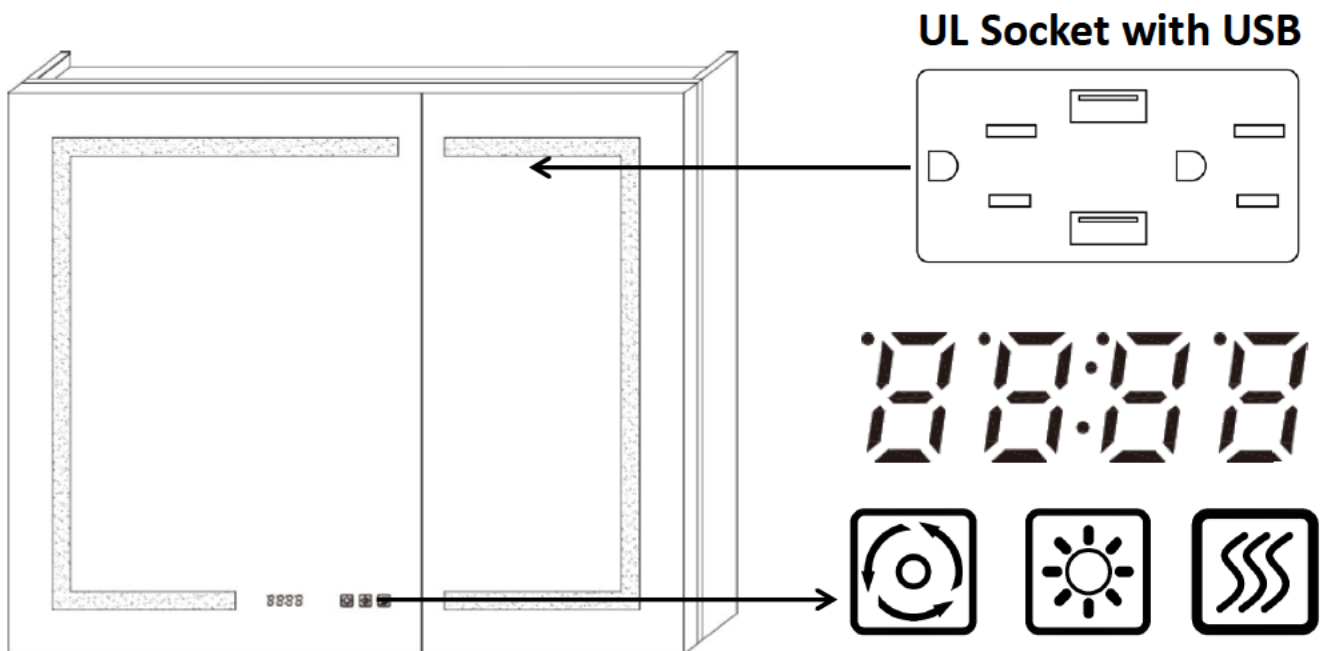
Manual to Interior LED Light



- The Interior LED Light will be automatically on when the cabinet door be opened.
- Don't cover the light sensor.

Operating Manual

Manual to setting clock (The 36*30inch cabinet with clock version)



Button1



Button2



Button3



● Setting the clock

-Please turn off the light before setting the clock.

- Press and hold the Button 1 for seconds , the “Hour” will flash , then briefly touch button1 or 2 to set Hour.

-Wait for seconds after setting up the Hour then it will automatically switch to the Minute adjustment mode.

- Briefly touch Button 1 or 2 to set up the Minute.

-Wait seconds after you finish the time setting , the time will be saved automatically.