



PLEASE READ ME FIRST



- Have questions about assembling your item?

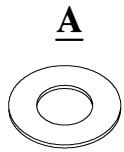


- Item or parts damaged?



- Missing a part?

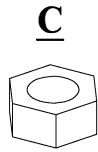
Phillips
Screwdriver
(Not provided)



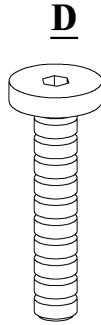
4 PCS



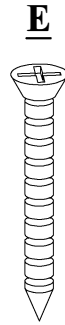
4 PCS



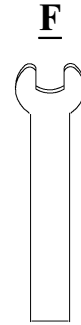
4 PCS



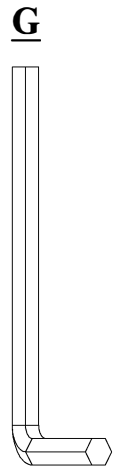
4 PCS



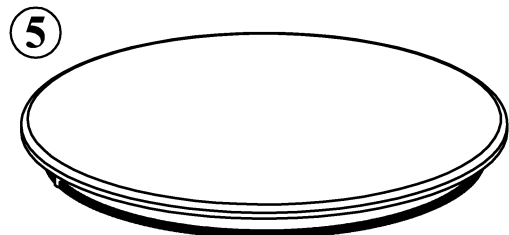
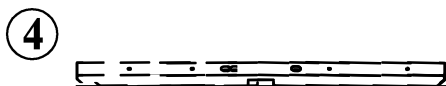
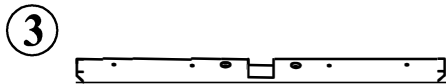
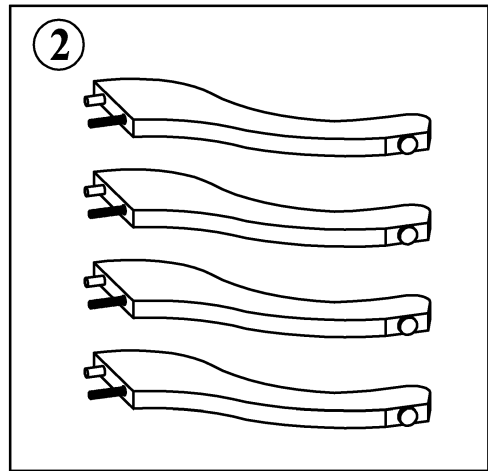
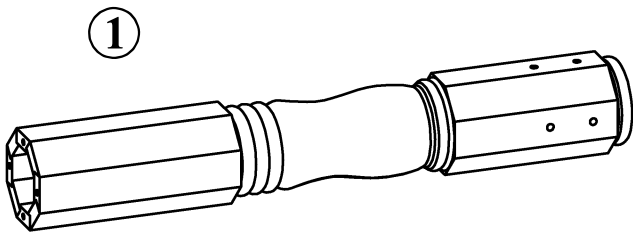
8 PCS






1 PC

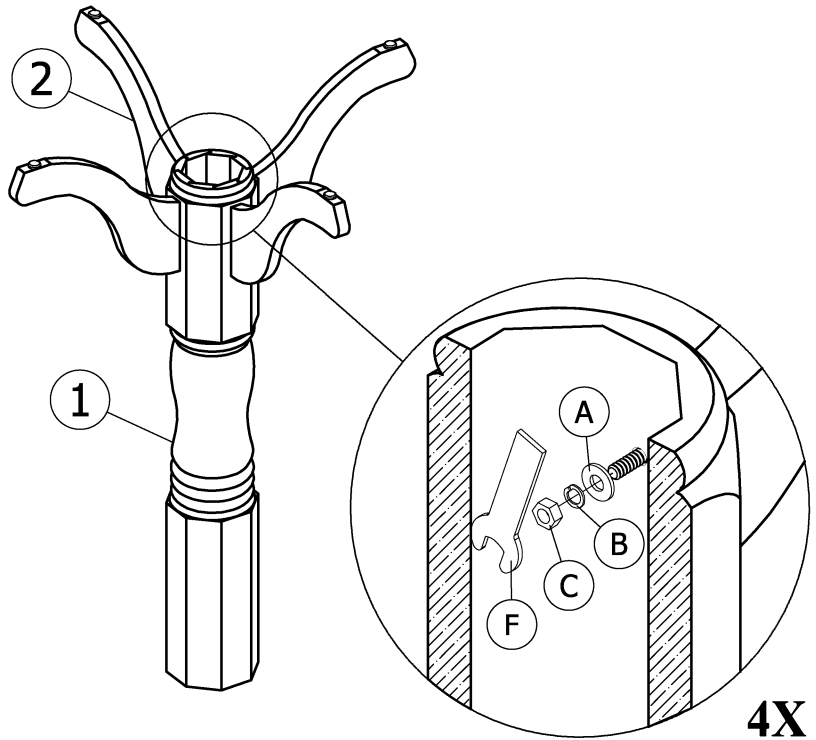


1 PC



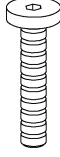
01

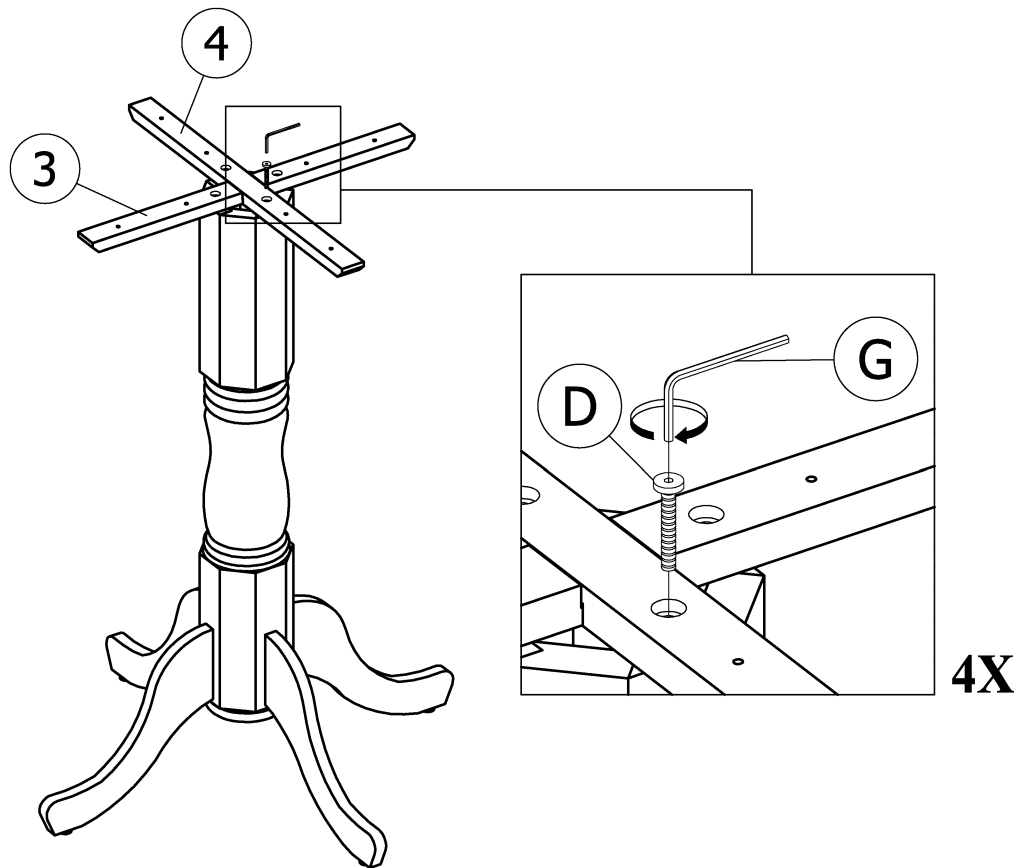
<u>A</u>	<u>B</u>	<u>C</u>
		
4 PCS	4 PCS	4 PCS



TIGHTEN HEX NUT COMPLETELY.

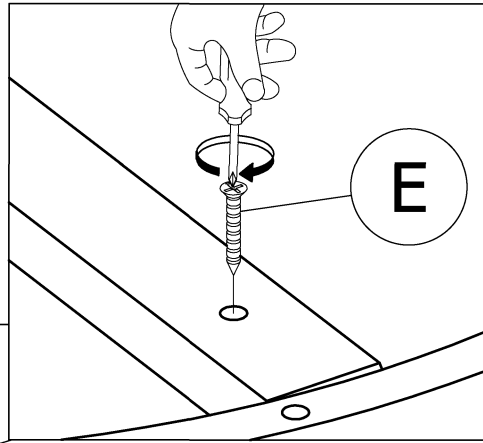
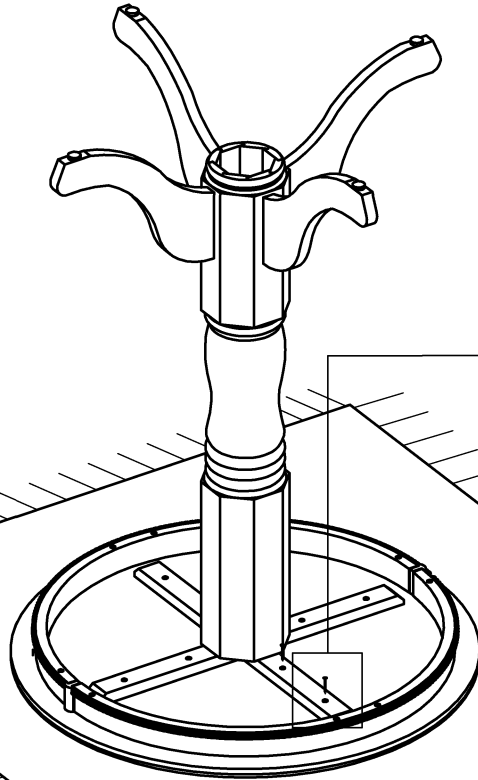
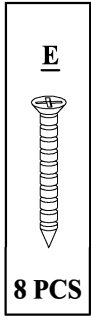
02

<u>D</u>

4 PCS



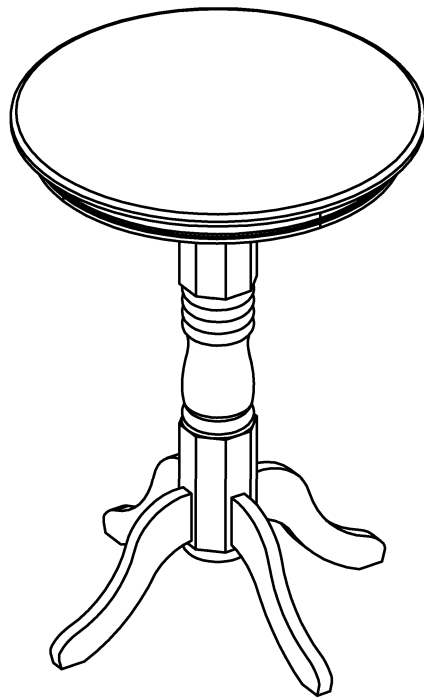
TIGHTEN BOLT COMPLETELY.

03



8X

TIGHTEN SCREW COMPLETELY.



BE SURE TO CHECK ALL BOLTS ARE SECURELY TIGHTENED PRIOR USING THIS TABLE