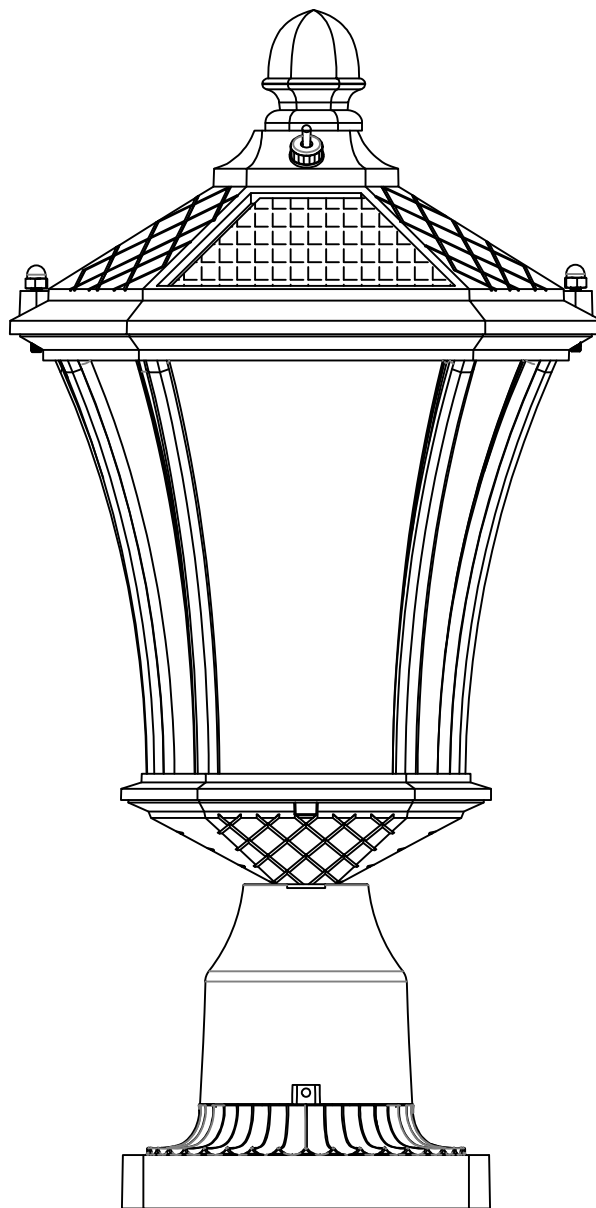


Outdoor Post Light

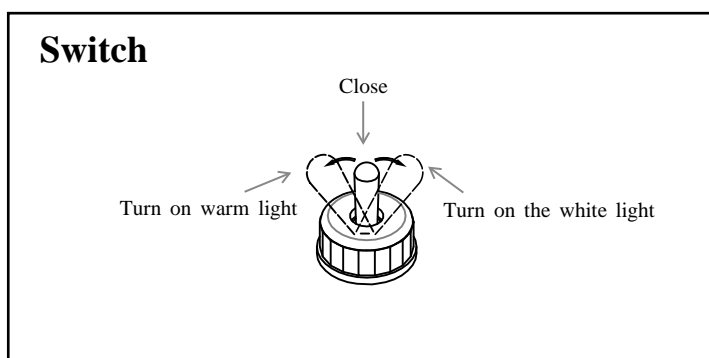
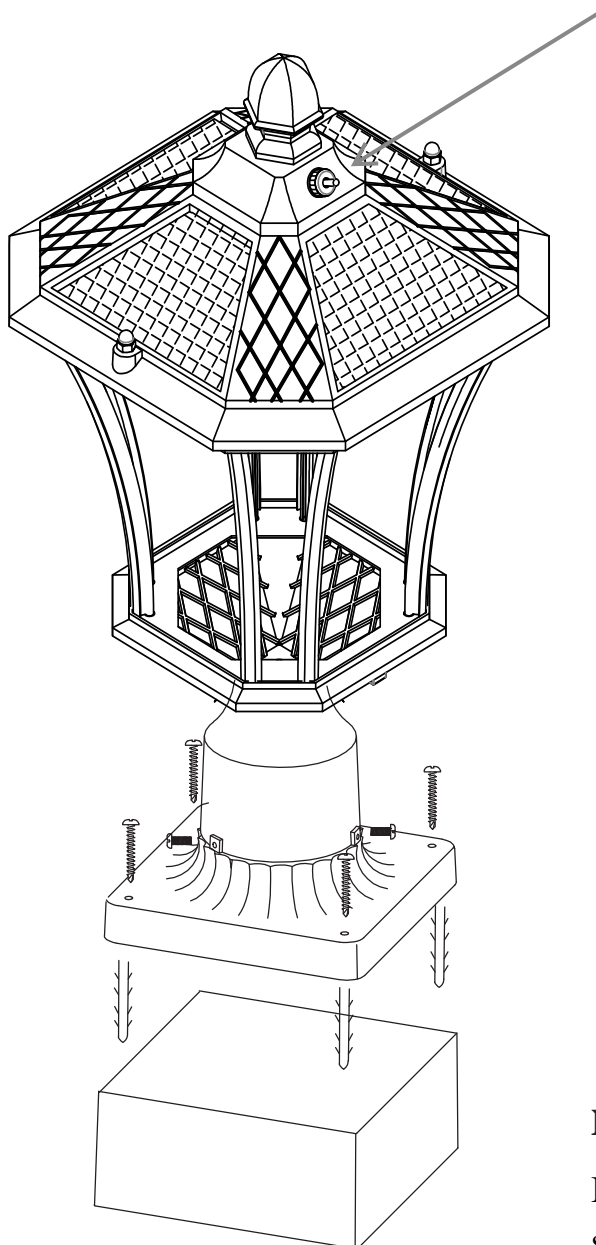
User Manual



Introduction

- 1、 Thank you for choosing our Outdoor Post Lights. Please read this user manual carefully before using and keep it for future reference.
- 2、 If any questions or concerns, please contact us and we will get back to you in 12 hours.

Installation Steps



1. Use of switch: the left switch is warm light, the right switch is white light, and the switch is closed in the middle.

2. When the switch is on, it will not be on during the day. When the inductive switch senses the light, it will turn off. Only when the switch is turned on at night or when the light is dark, the light will be on.

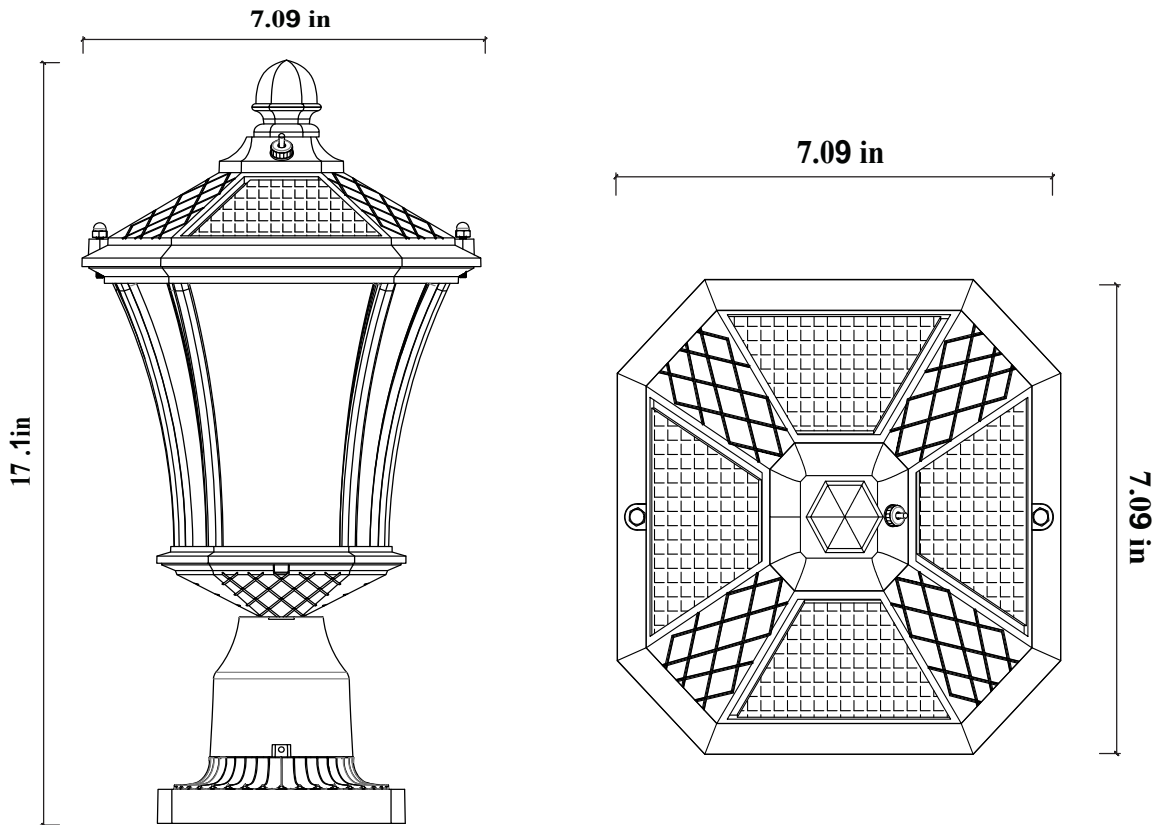
3. The solar panel is charged only when the switch is on, and stops when the switch is off. Do not use this solar light indoors.

4. As shown in the figure, use a drill to drill four holes, insert expansion screws, fix the mounting base to the column with 4 long screws, and then use 3 short screws to fix the lamp to the mounting base.

Note:

Before use, please turn on the switch to charge by sunlight to ensure that the battery can be used normally.

Size



Tip:

The light fixture is metal and glass, please be careful don't use too much force when you assemble and install it.