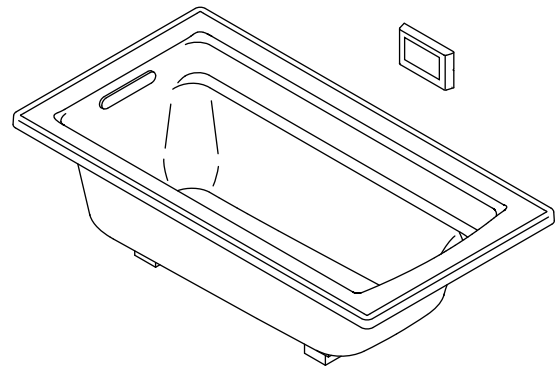


Features

- Acrylic
- VibrAcoustic technology emits sound waves and offers a surround sound experience
- Six transducers and a control amplifier with 25' (7.6 m) of wiring
- User-friendly high-resolution color touch screen in polished chrome
- Slotted overflow for maximum bathing depth
- Comfort Depth® design offers a 19" (483 mm) step-over height
- Molded lumbar support and armrests for comfort
- Textured bottom surface
- Drop-in installation
- Reversible drain
- 60" (1524 mm) x 32" (813 mm) x 19" (483 mm)

5' VIBRACOUSTIC® DROP-IN BATH K-1122-VB

ADA



Codes/Standards Applicable

Specified model meets or exceeds the following:

- ADA
- ICC/ANSI A117.1
- CSA B45.5/IAPMO Z124
- ASTM E162
- ASTM E662
- UL 1795

Colors/Finishes

- 0: White
- CP: Polished Chrome
- BN: Brushed Nickel
- Other: Refer to Price Book for additional colors/finishes

Specified Model

Model	Description	Colors/Finishes	
K-1122-VB	5' VibrAcoustic drop-in bath	<input type="checkbox"/> 0	<input type="checkbox"/> Other_____
Recommended Accessories			
K-7271	Clearflo slotted overflow brass bath drain OR	<input type="checkbox"/> CP	<input type="checkbox"/> Other_____
K-7272	Clearflo slotted overflow bath drain - PVC pipe	<input type="checkbox"/> CP	<input type="checkbox"/> Other_____
Optional Accessories			
K-1491	Bath pillow	<input type="checkbox"/> 0	<input type="checkbox"/> Other_____
K-1601	Bath footstop	<input type="checkbox"/> 0	<input type="checkbox"/> Other_____
1172315	VibrAcoustic interface mounting plate (non-CP finish)		<input type="checkbox"/> BN

Product Specification

The acrylic VibrAcoustic bath shall be 60" (1524 mm) in length, 32" (813 mm) in width, and 19" (483 mm) in height. Bath shall be for drop-in installation. Bath shall feature VibrAcoustic technology offering a surround sound experience. Bath shall have six transducers and a control amplifier with 25' (7.6 m) of wiring. Bath shall feature user-friendly high-resolution color touch screen in polished chrome. Bath shall have molded lumbar support and armrests for comfort. Bath shall feature a textured bottom surface. Bath shall have slotted overflow for maximum bathing depth and features Comfort Depth design for a 19" (483 mm) step-over height. Bath shall feature a reversible drain. Bath shall be Kohler Model K-1122-VB-_____.

ARCHER®

Technical Information

Fixture*:			
Bathing well:			
Basin area, bottom	45-1/8" (1146 mm) x 19-11/16" (500 mm)		
Basin area, top	52-3/4" (1340 mm) x 25-5/16" (643 mm)		
Weight	81 lbs (36.7 kg)		
To overflow:			
Water depth	15" (381 mm)		
Capacity	58 gal (219.6 L)		
*Approximate measurements for comparison only.			
Drop-in cutout	58-1/2" (1486 mm) x 30-1/2" (775 mm)		
Amplifier/control:	Power per channel (rms) W	V	Hz
	15	120	50/60z

Required Electrical Service

Dedicated circuit required, protected with Class A Ground-Fault Circuit-Interrupter (GFCI) or Residual Current Device (RCD):	
Amplifier/control:	120 V, 15 A, 50/60 Hz

Installation Notes

Install this product according to the installation guide.

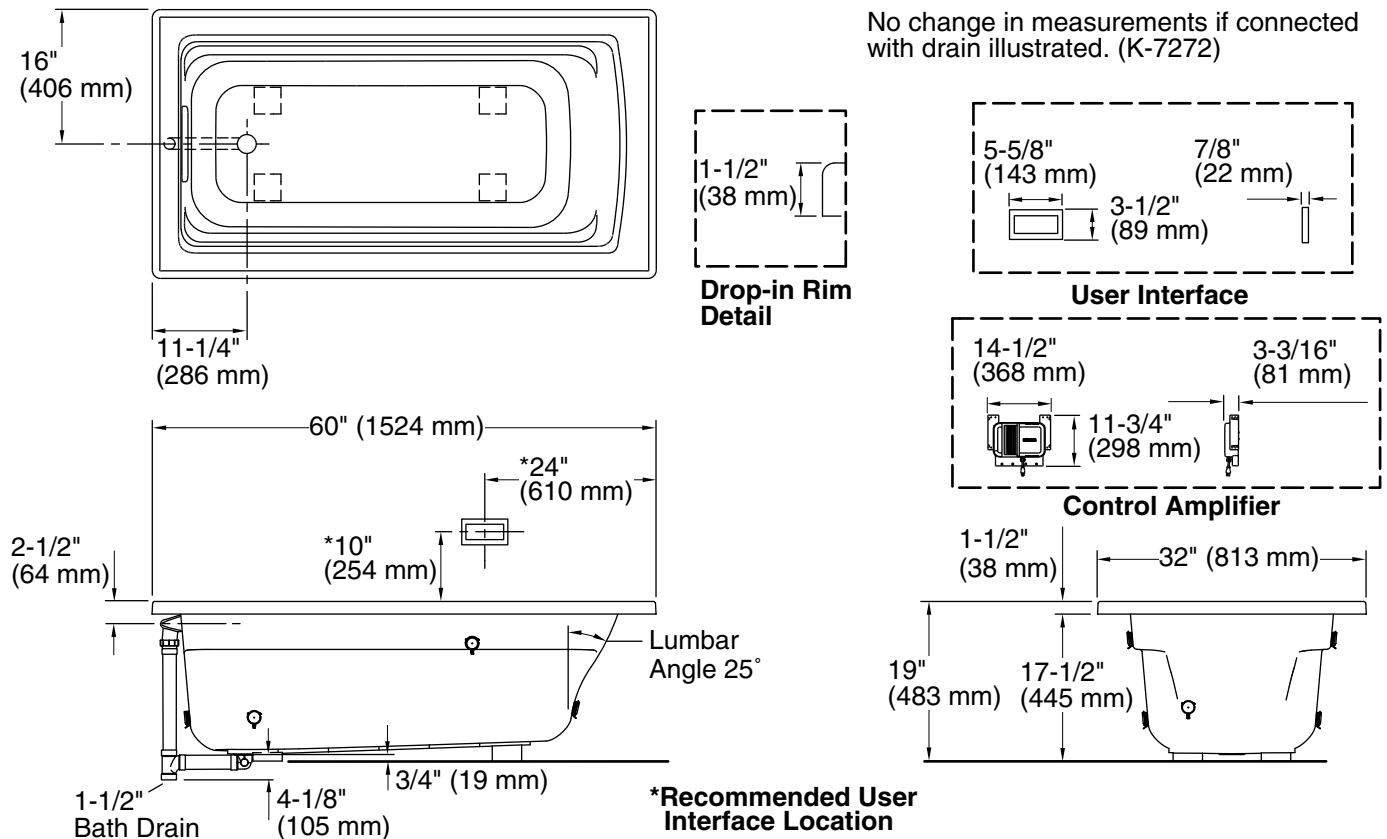
Control amplifier fits 16" (406 mm) center studs. A grounded outlet within the wall framing must be within 24" (610 mm) of the planned control amplifier.

Cables are included, 25' (7.6 m) each.

Floor support under this product must provide for a minimum of 44 lbs/square foot (214.8 kg/square meter) loading.

Will comply with **ADA** when installed per Section 607 Bathtubs of the Act.

Ensure that the bath, user interface, amplifier, and transducers are functional before completing the installation.



Product Diagram