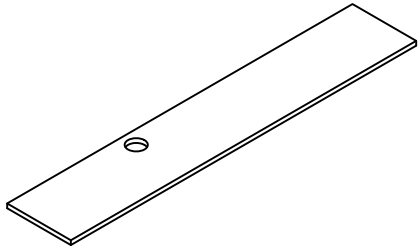
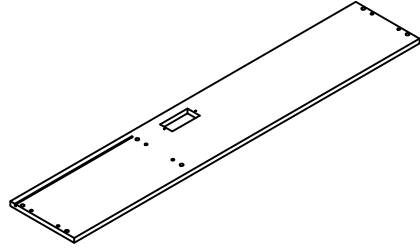


1



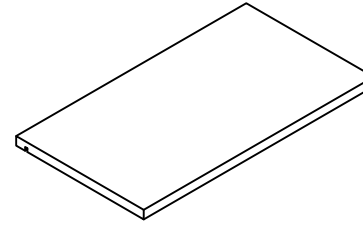
1246*230 (mm)
49.06*9.06 (inch) 1PC

2



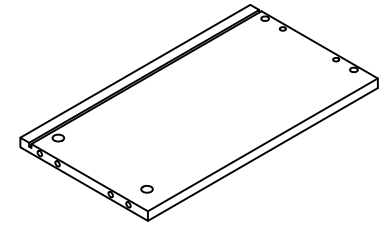
1246*230 (mm)
49.06*9.06 (inch) 1PC

3



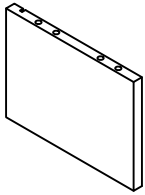
415*230 (mm)
16.34*9.06 (inch) 1PC

4



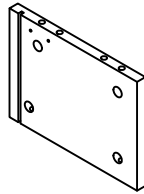
415*230 (mm)
16.34*9.06 (inch) 1PC

5



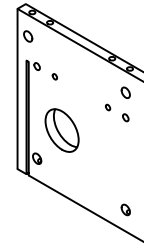
170*230 (mm)
6.69*9.06 (inch) 1PC

6



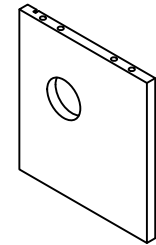
170*230 (mm)
6.69*9.06 (inch) 1PC

7



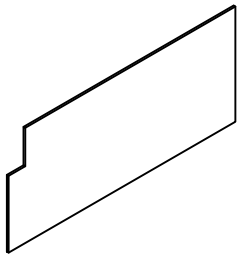
250*230 (mm)
9.84*9.06 (inch) 1PC

8



250*230 (mm)
9.84*9.06 (inch) 1PC

9



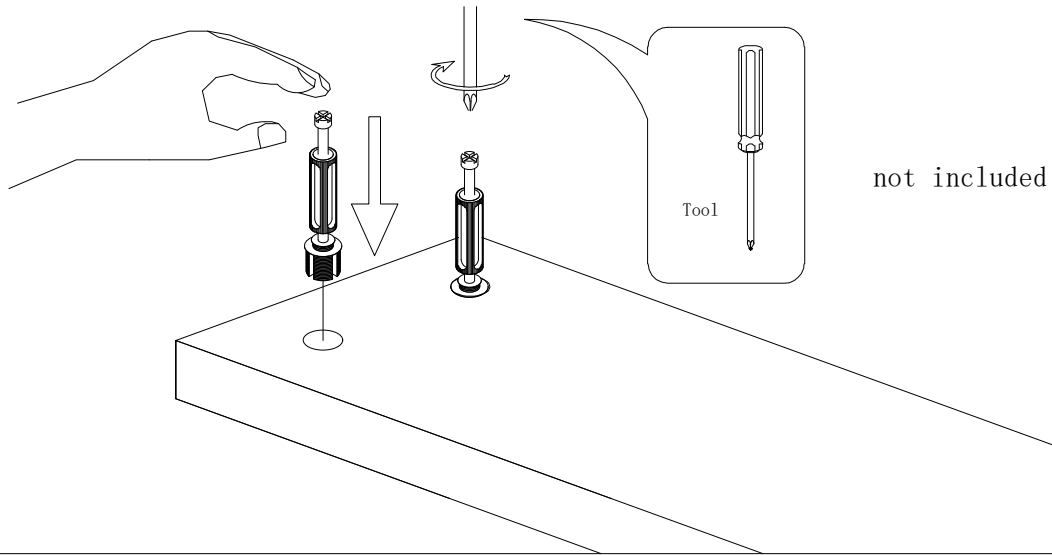
409*180 (mm)
16.1*7.09 (inch) 2PCS



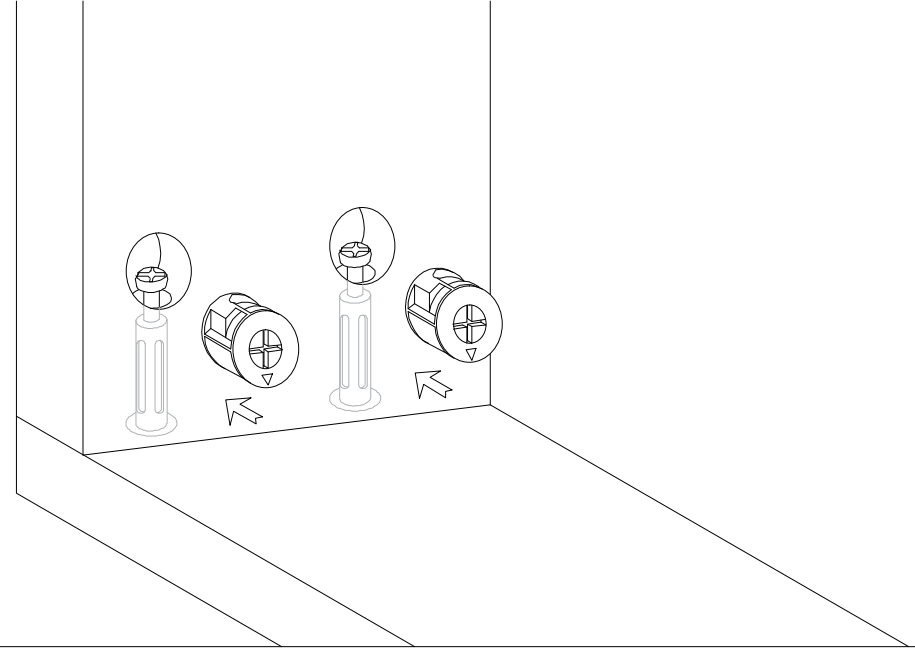
Hardware installation demonstration

NOTE: Please make sure "A" hardware tightened and can't be pulled out!

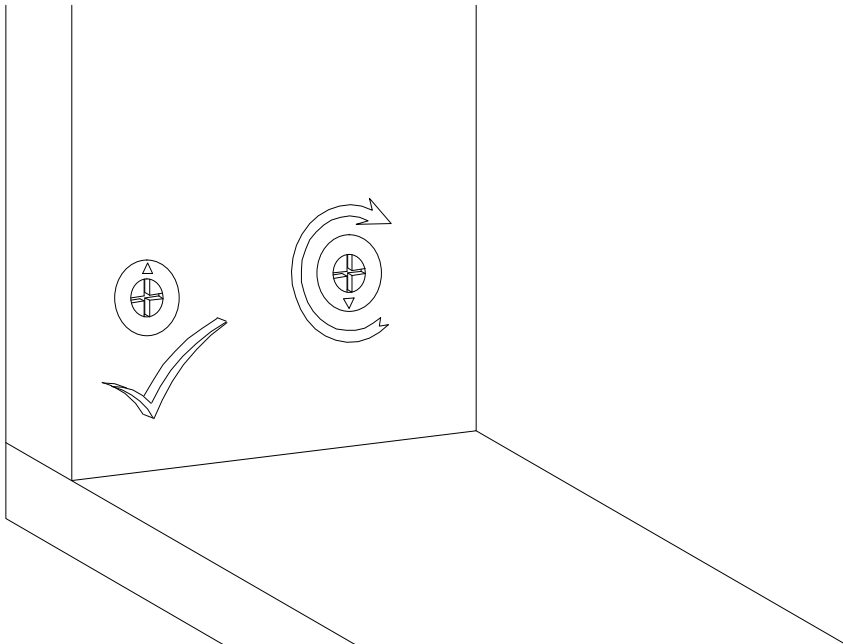
I



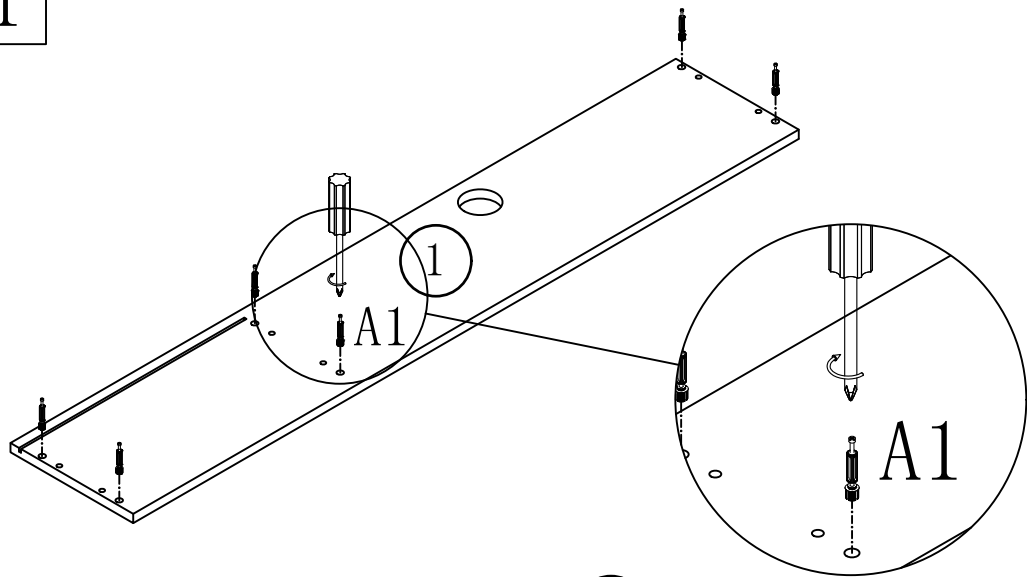
II



III



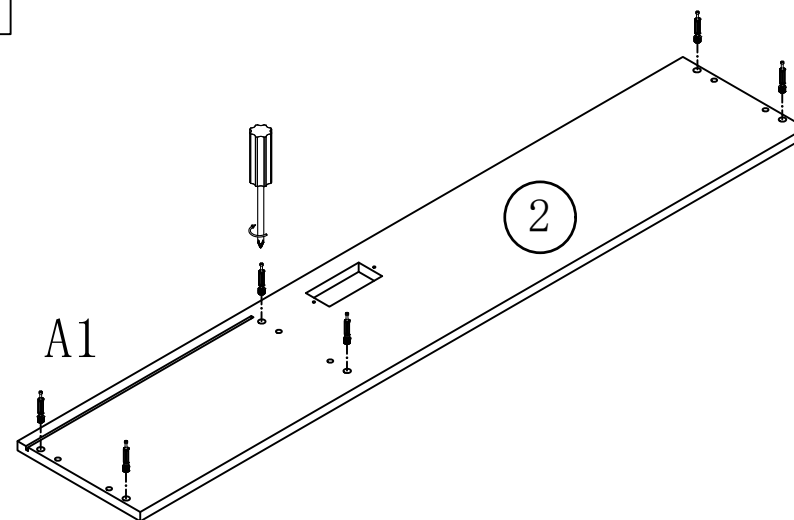
1



Put A1 on board (1)

A1*6

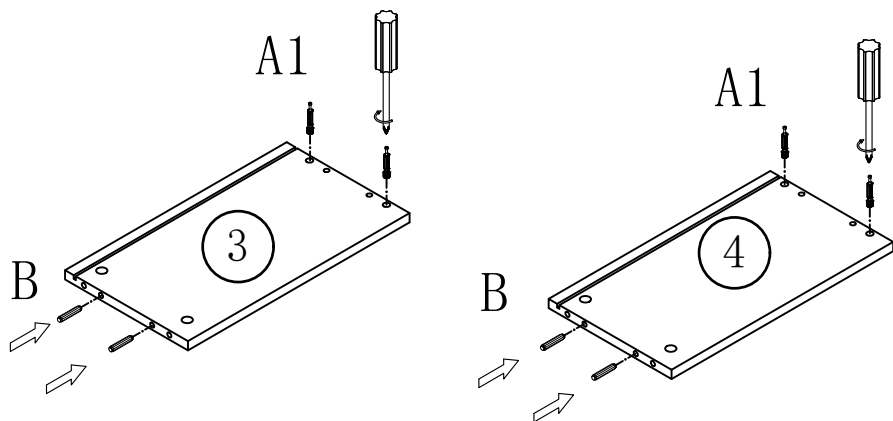
2



Put A1 on board (2)

A1*6

3

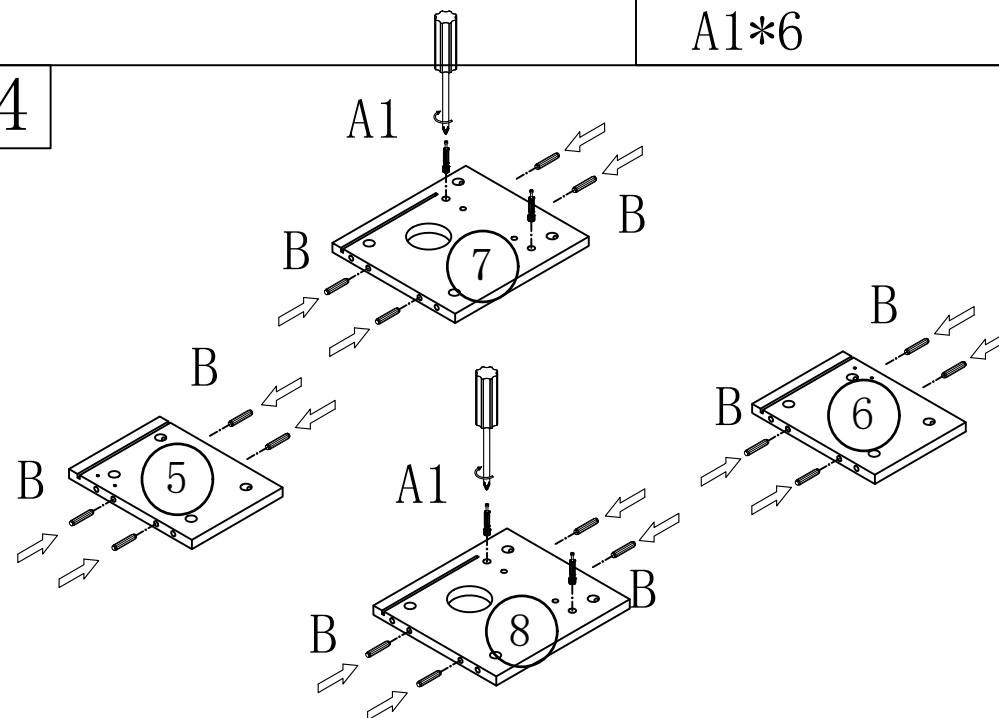


Put A1 on board (3) (4)

Put B on board (3) (4)

A1*4 B*4

4



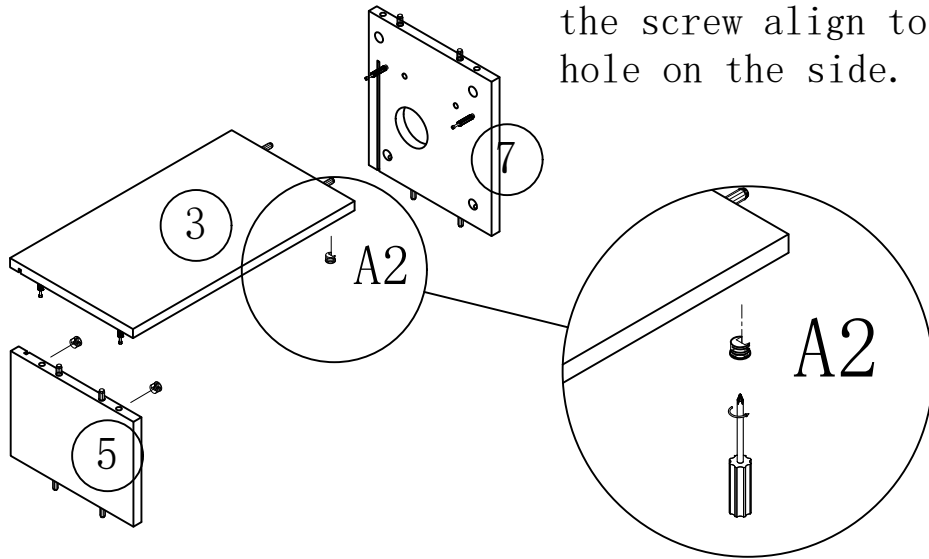
Put A1 on board (7) (8)

Put B on board (5) (6) (7) (8)

A1*4 B*16

5

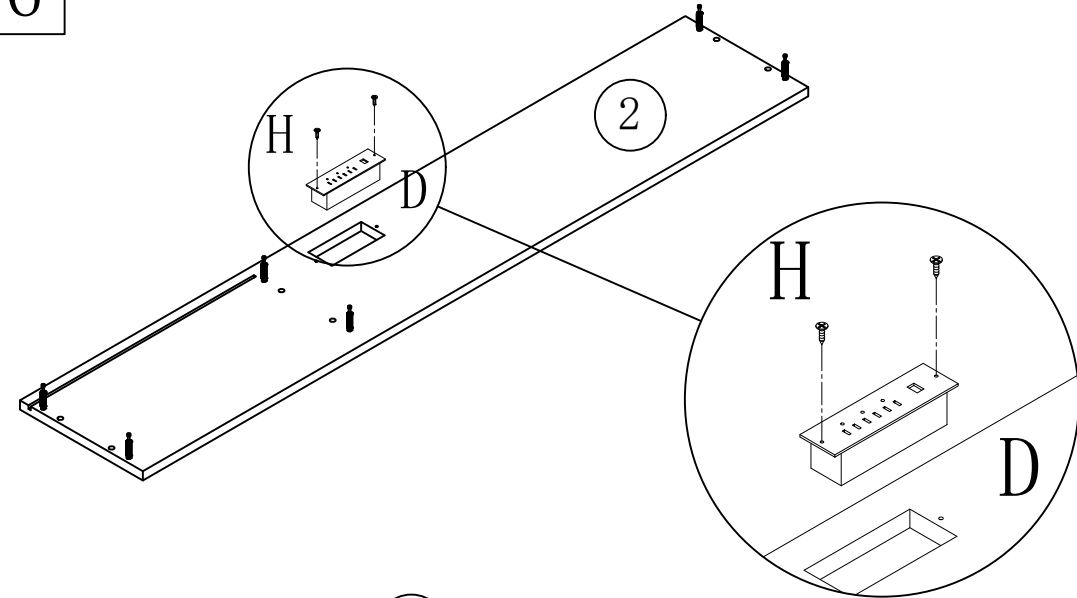
Make sure the arrow on the screw align to the hole on the side.



Put A2 on board (3) (5)

A2*4

6

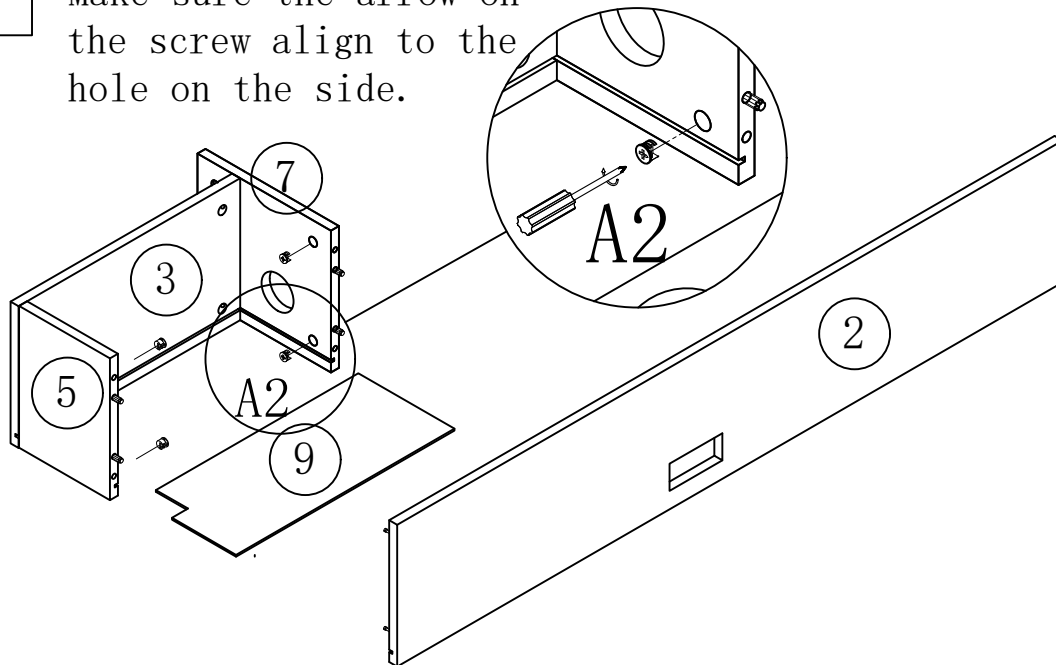


Put D、H on board (2)

D*1 H*2

7

Make sure the arrow on the screw align to the hole on the side.

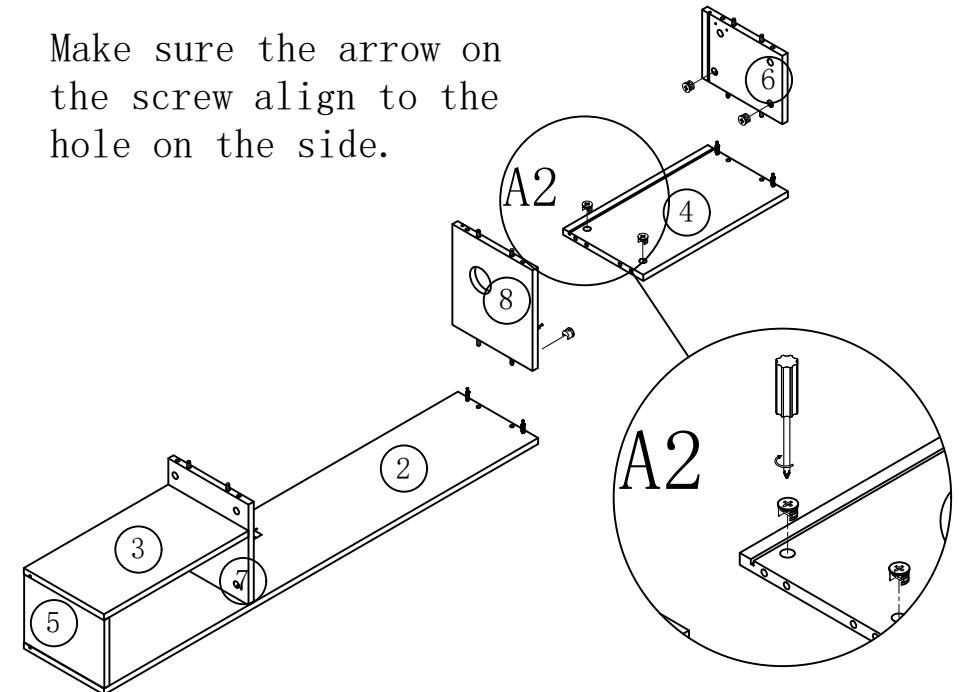


Put A2 on board (5) (7)

A2*4

8

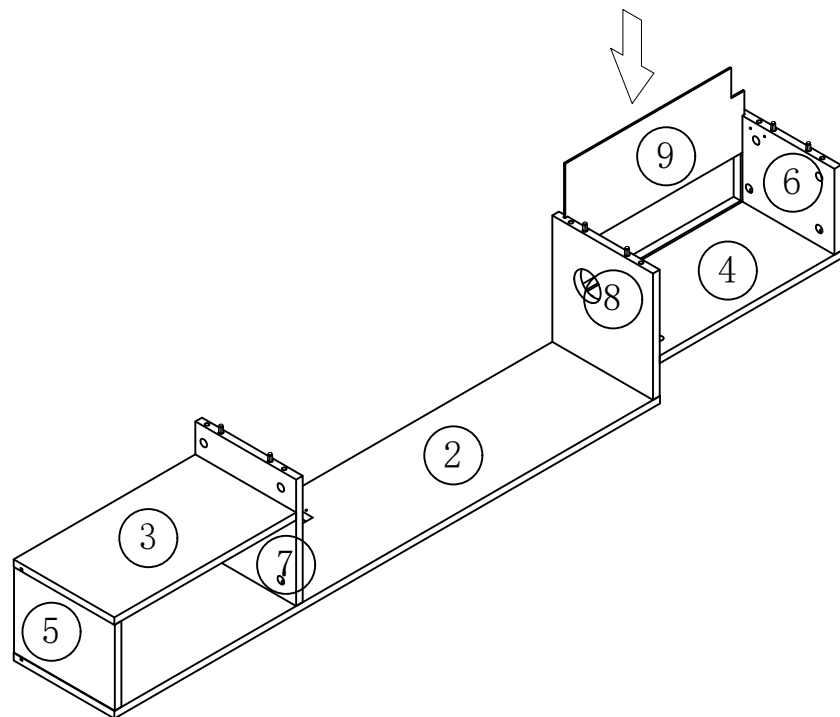
Make sure the arrow on the screw align to the hole on the side.



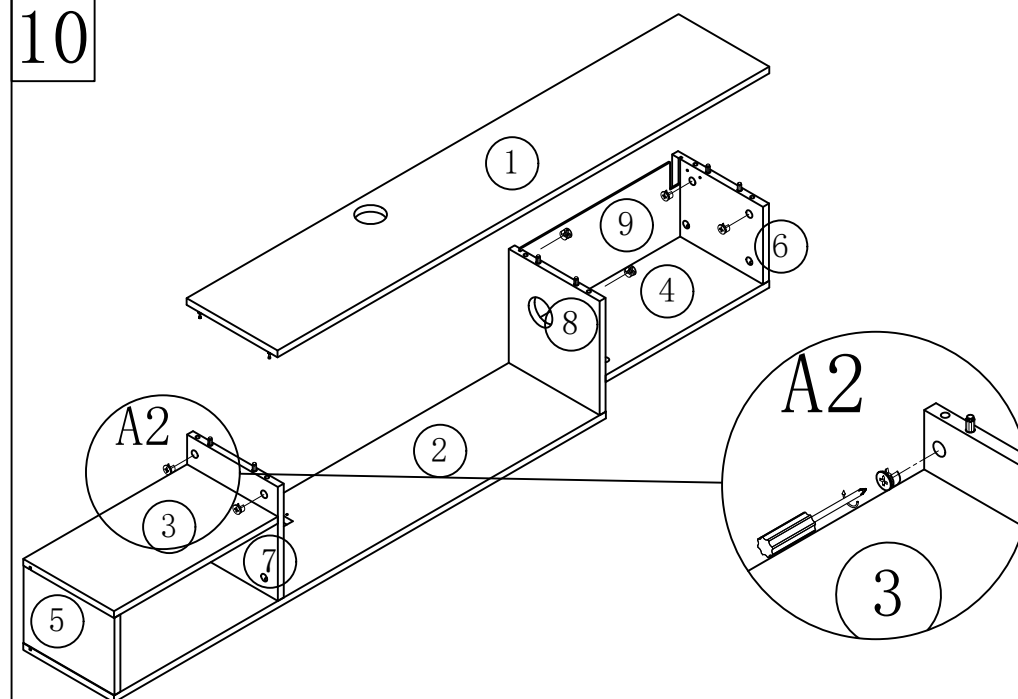
Put A2 on board (4) (6) (8)

A2*6

9



10

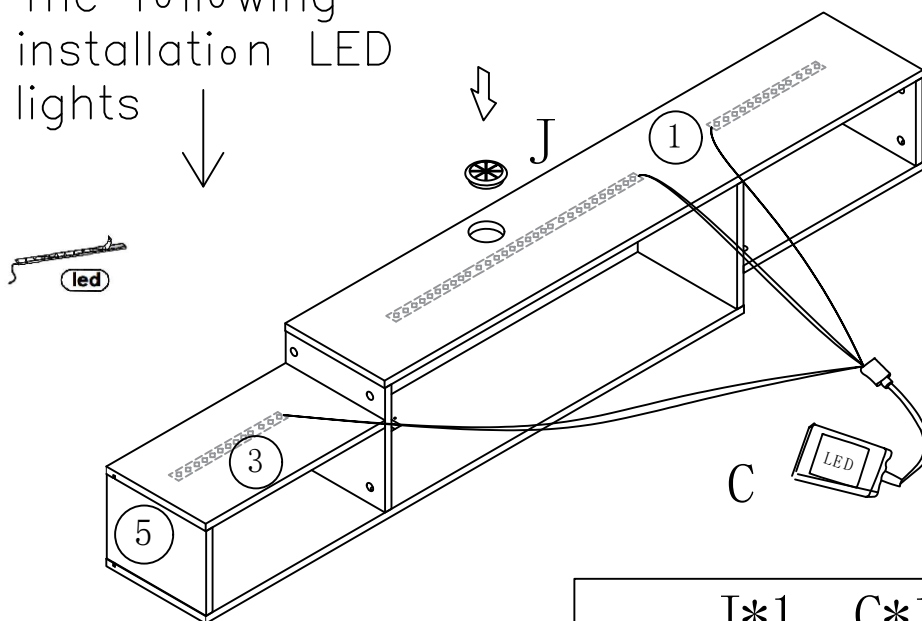


Put A2 on board (6) (7) (8)

A2*6

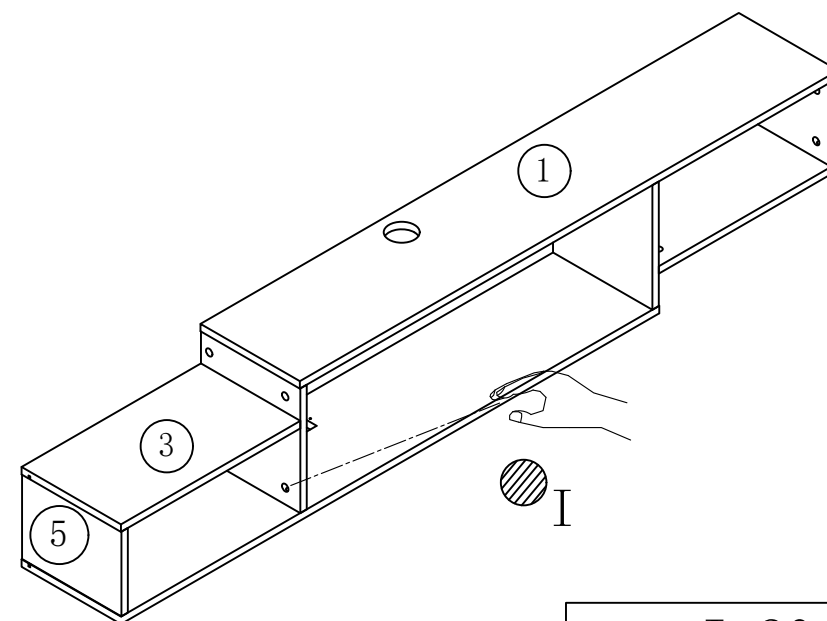
11

The following
installation LED
lights



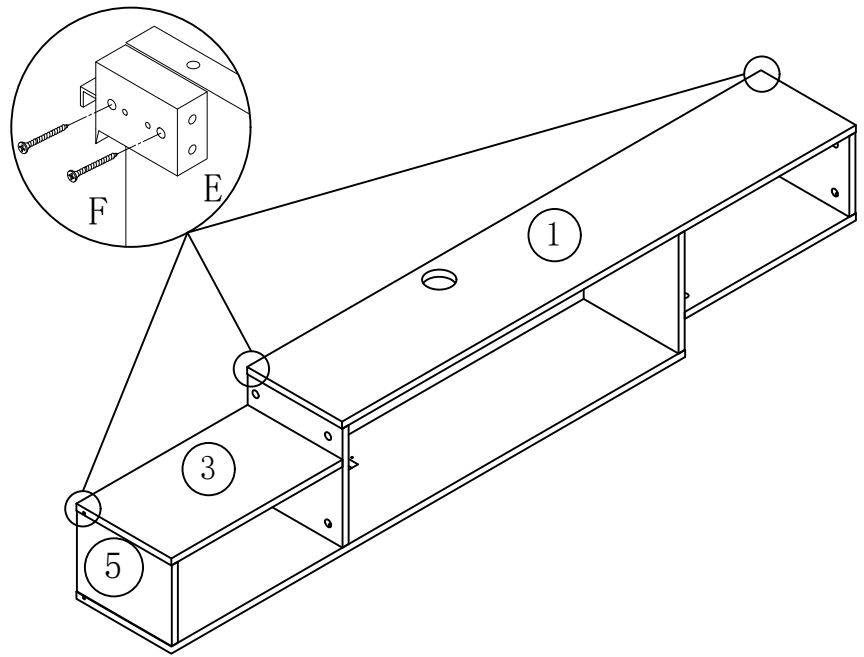
J*1 C*1

12



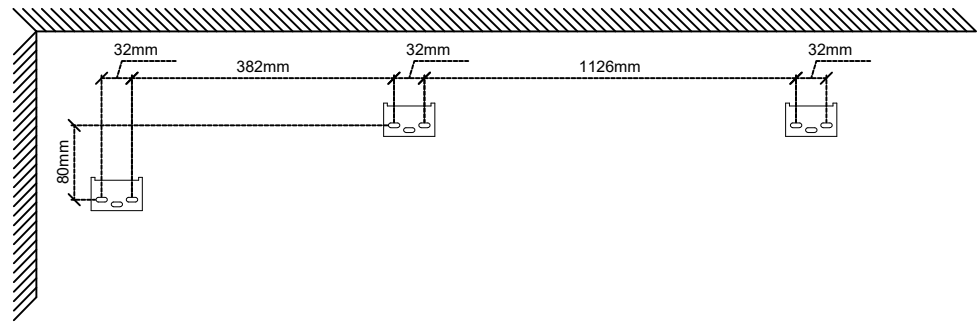
I*20

13

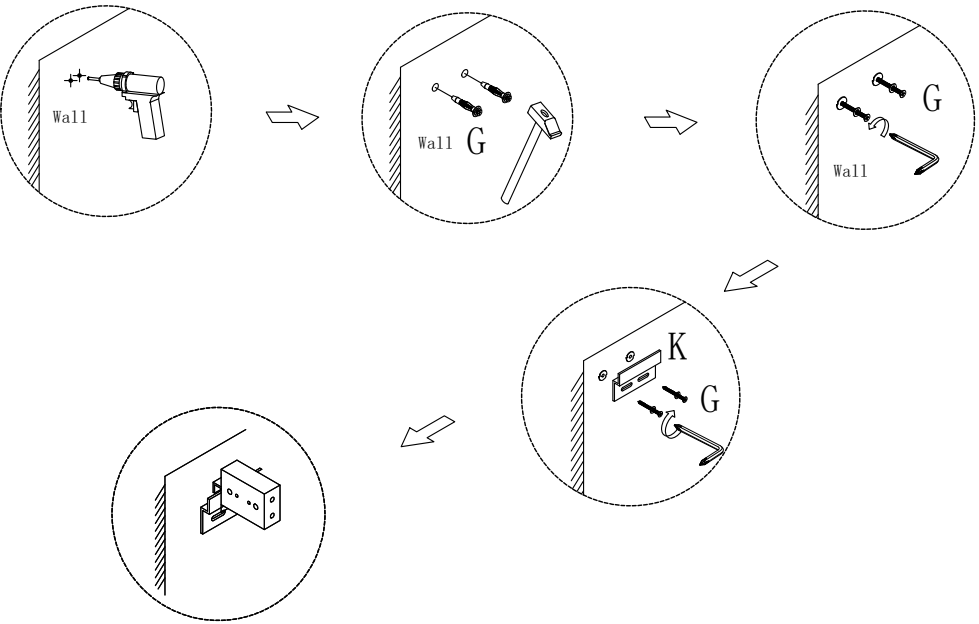
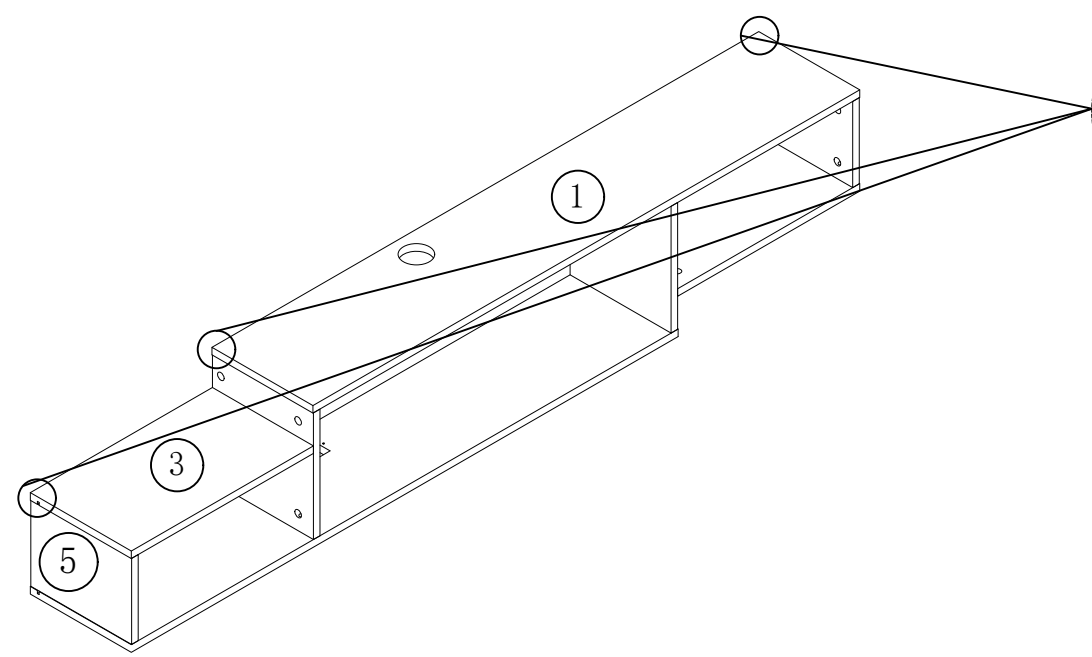


E*3 F*6

14



15



G*6 K*3