

INSTALLATION

Product Manual



IMPORTANT INFORMATION!

Please read the entire manual before starting to assemble and/or using this product follow the manual thoroughly and keep it for further reference.



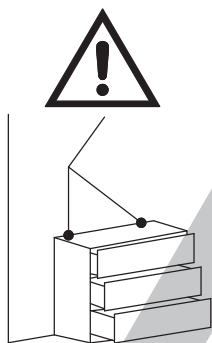
AVOID SCRATCHES!

In order to avoid scratching this furniture should be assembled on a soft layer-could be a rug.



IMPROVE EFFICIENCY !

Try to find a partner to install with you, which can speed up the installation efficiency and shorten the time.



ANTI-TOPPLE WARNING !

Overturnd furniture can cause serious or fatal crush injuries. To prevent tipping over, be sure to use the wall attachment, if not included with this product. Please purchase the wall attachment that fit your wall. If unsure, seek professional advice. Please read and follow each step of the instructions carefully.

IMPORTANT !

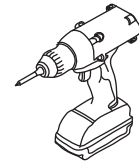
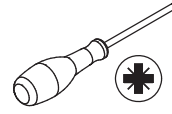
It is important that any product which is assembled using any kind of screw is re-tightened 2 weeks after assembly, and once every 3 months - in order to assure stability through-out the lifespan of the product.

For regular maintenance and cleaning of the product, for the frame, please use a rag dipped in neutral detergent to fully wipe it, and then dry it with a clean rag. For glass materials, wipe with a rag dampened with water glass cleaner, and then dry with a dry rag.

Do not use an electric screwdriver, and do not use too much force when installing, because the board is easy to break.

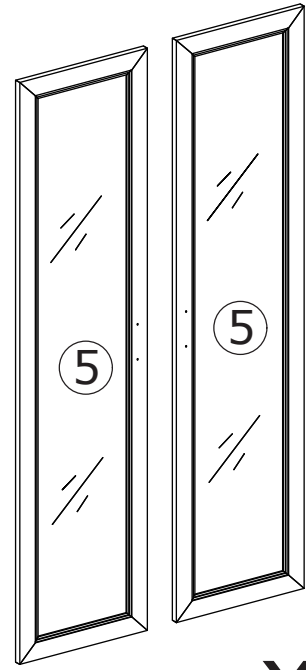
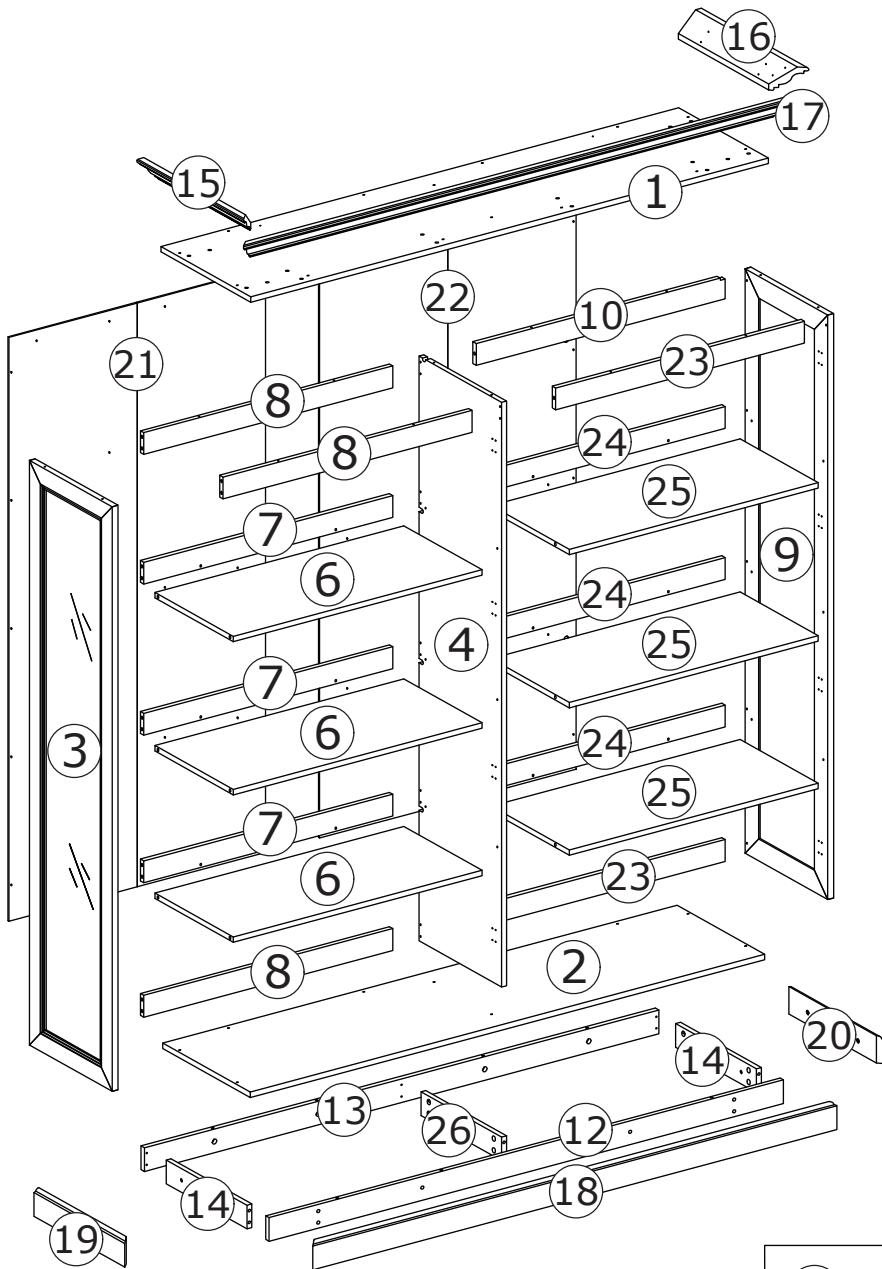


Please prepare the following tools

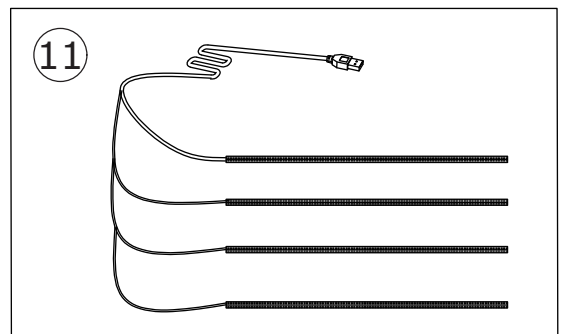


When installing, please carefully confirm whether each screw corresponds to the manual, accessories with similar shapes can be distinguished by size

| | | | | |
|---|---|--|---|---|
| <p>A x 83</p>  <p>M5 x 42 mm</p> | <p>B x 83</p>  <p>Ø 15 x 12 mm</p> | <p>C x 24</p>  <p>M3.5 x 12 mm</p> | <p>D x 98</p>  <p>M3.5 x 14 mm</p> | <p>E x 50</p>  <p>M3.5 x 14 mm</p> |
| <p>F x 36</p>  <p>M5 x 40 mm</p> | <p>G x 16</p>  <p>M6 x 12 mm</p> | <p>H x 10</p>  <p>M6 x 25 mm</p> | <p>I x 8</p>  <p>ZW</p> | <p>J x 4</p>  <p>8332-96</p> |
| <p>K x 8</p>  <p>M4 x 22 mm</p> | <p>L x 8</p>  <p>12 x 4 x 1 mm</p> | <p>M x 35</p>  <p>Ø 1.5 x 15 mm</p> | <p>N x 8</p>  | <p>O x 2</p>  |
| <p>P x 2</p>  | <p>Q x 2</p>  <p>Ø 8 x 60 mm</p> | <p>R x 2</p>  <p>Ø 5 x 55 mm</p> | <p>S x 20</p>  | <p>T x 15</p>  <p>Ø 15 x 10 mm</p> |
| <p>U x 8</p>  <p>ZW</p> | <p>x 1</p>  <p>#4</p> | | | |



x2

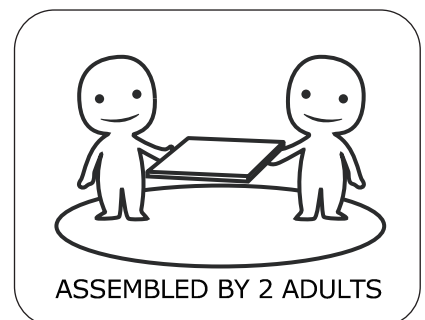


⚠ WARNING

Children have died from furniture tipover. To reduce the risk of furniture tipover:

- ALWAYS install Anti-tip device provided.
- NEVER put a TV on this product.
- NEVER allow children to stand, climb or hang on drawers, doors, or shelves.
- NEVER open more than one drawer at a time.
- Place heaviest items in the lowest drawers.

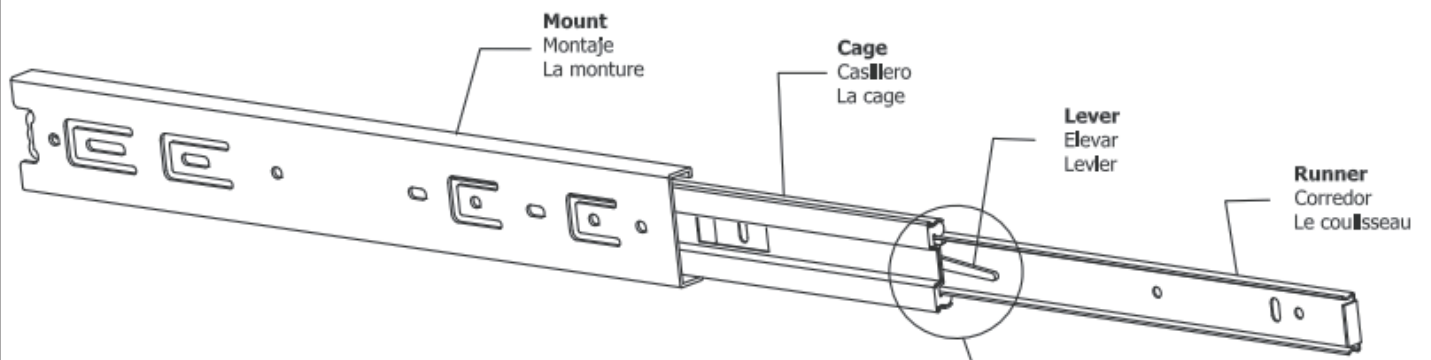
This is a permanent label. Do not remove!



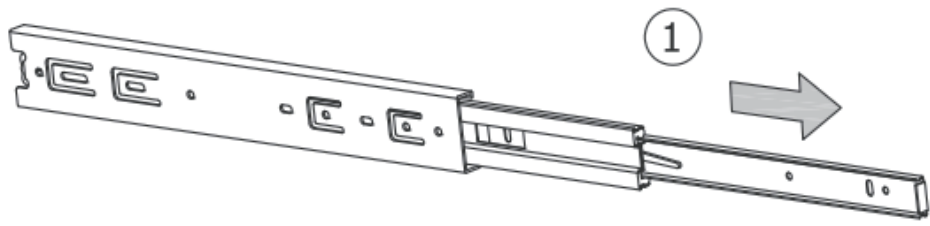
Slides Must Be Separated Before Assembly.
After Separated, Set Aside Until Needed for Assembly.

Las diapositivas deben separarse antes del montaje.
Después de la separación, déjelo a un lado hasta que sea necesario.

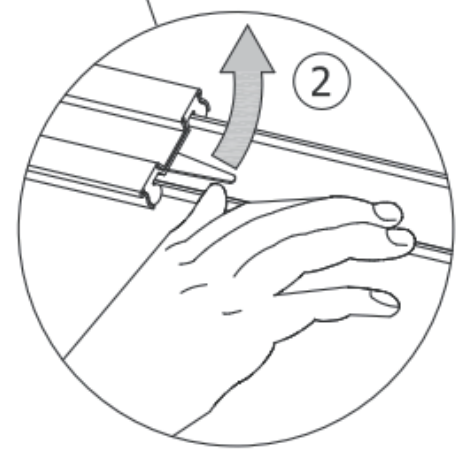
Les glissières doivent être séparées avant l'assemblage.
Après la séparation, mettez de côté jusqu'au moment de l'assemblage.



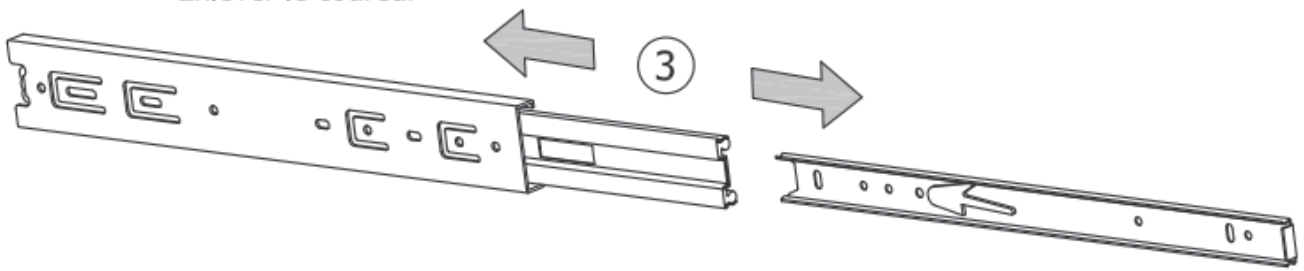
STEP 1: Extend Slide
Extender la diapositiva
Extendre la diapositive



STEP 2: Push Lever UP
Empujar hacia arriba
Lever le levier

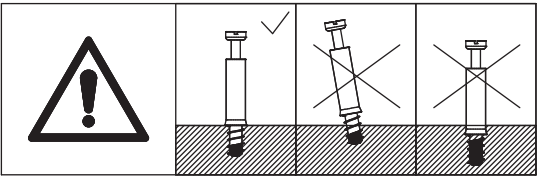
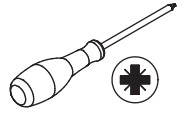
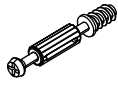


STEP 3: Remove Runner
Quitar el corredor
Enlever le coureur

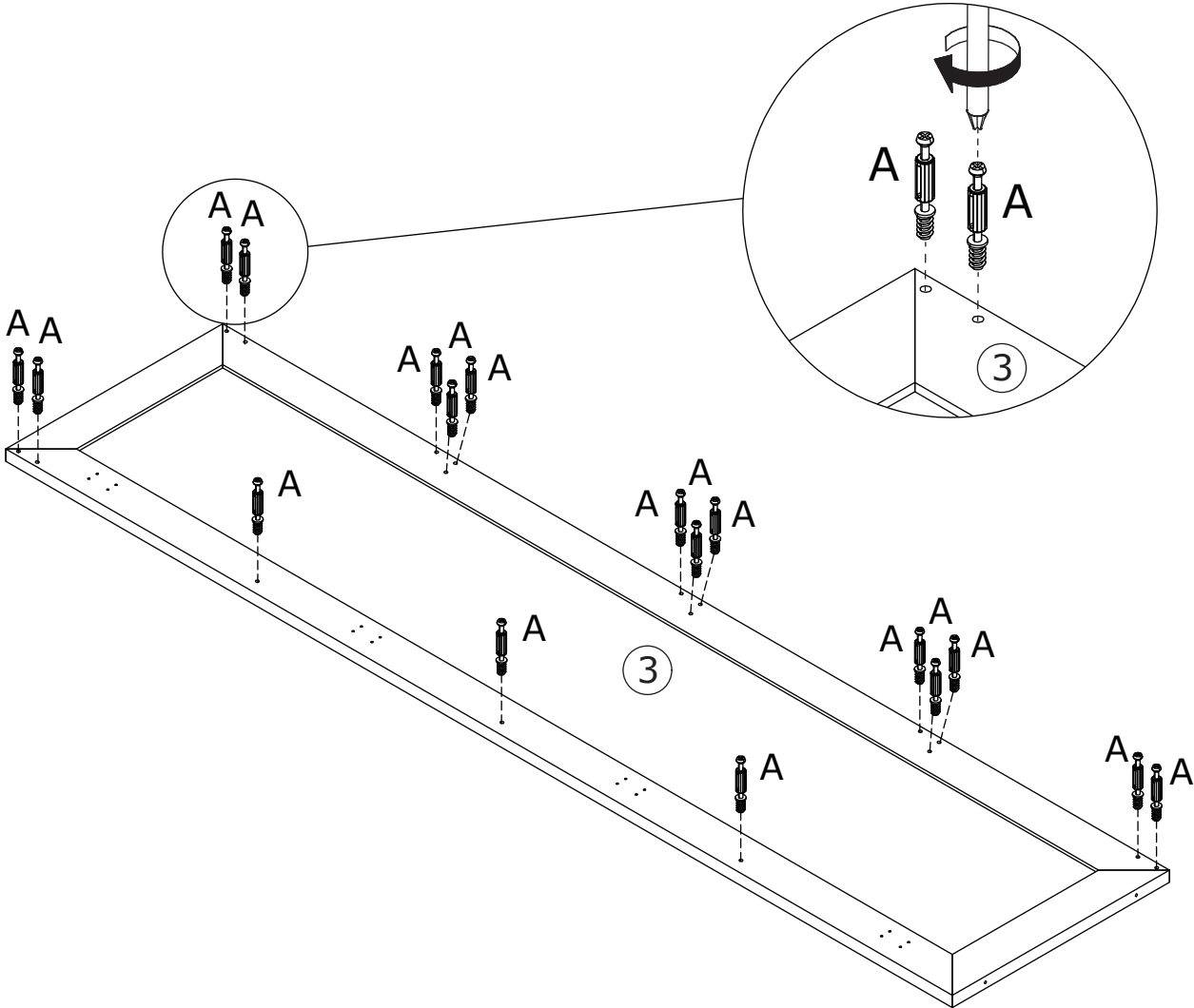


1

A x 18
M5 x 42 mm

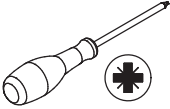


As shown in the figure, screw the self-tapping rod (A) into Panel 3.

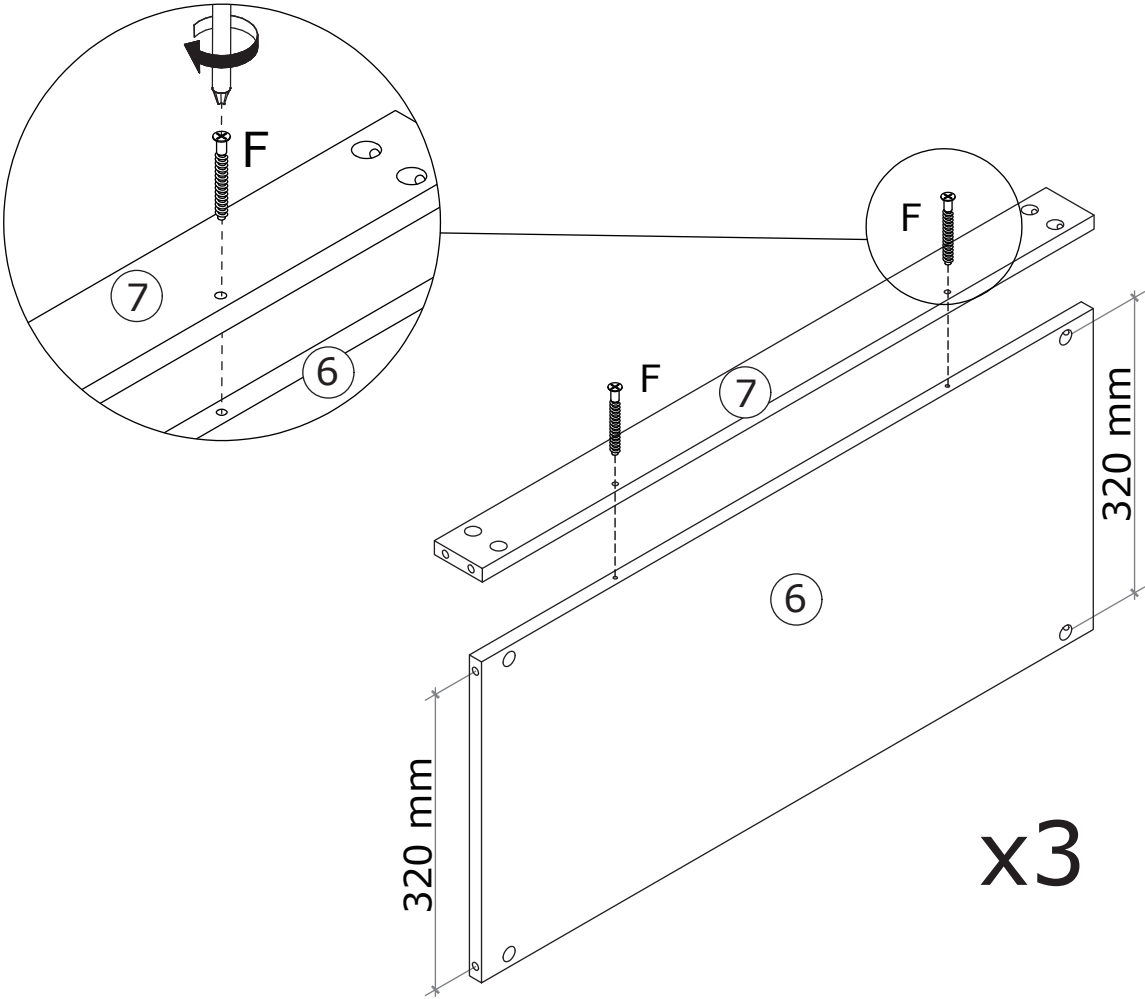


2

F x 6
M5 x 40 mm



As shown in the figure, fix Panel 7 to Panel 6 with the screw (F).

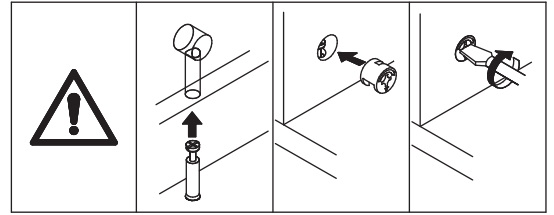
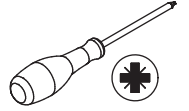


3

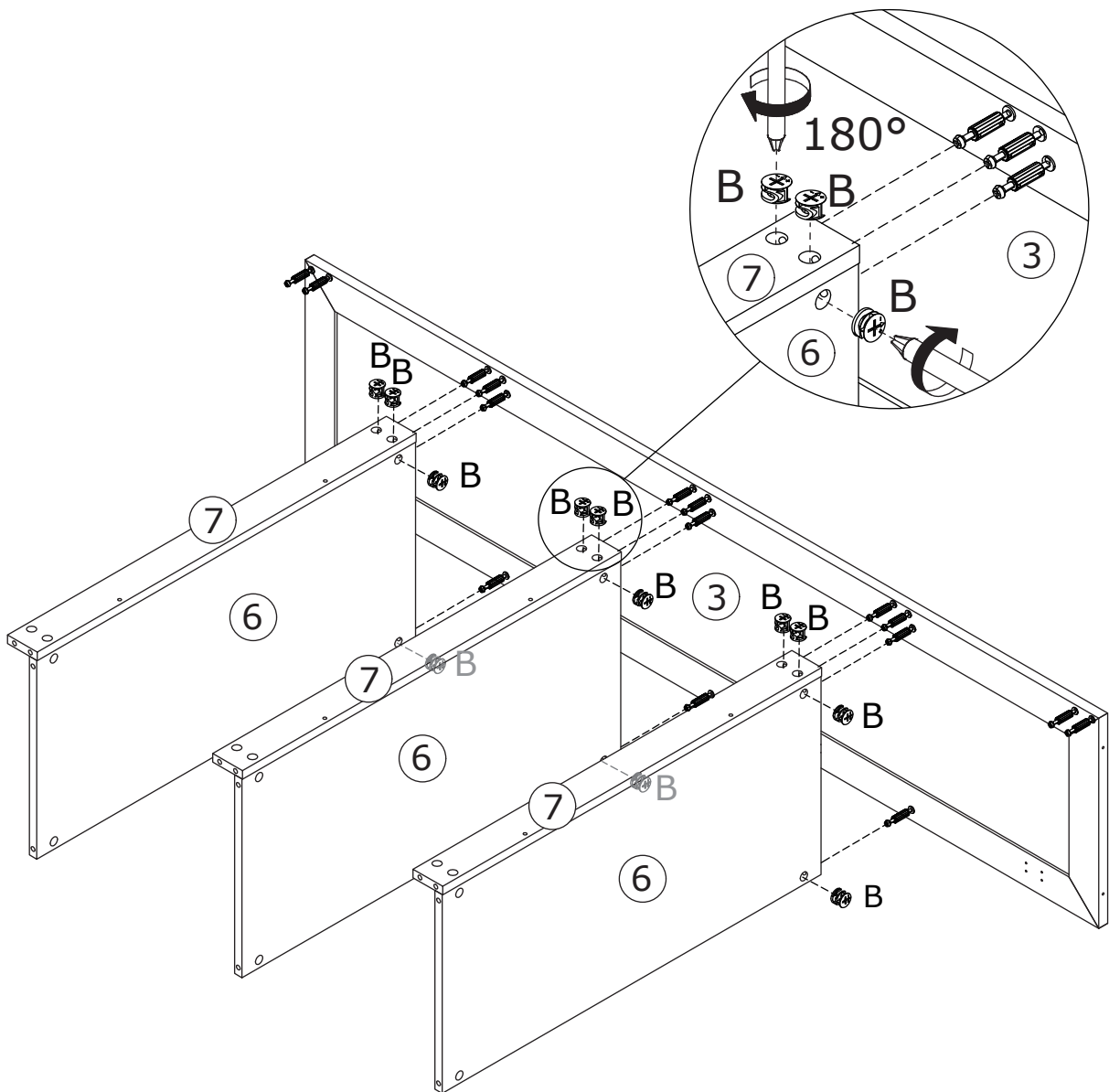
B x 12



Ø15 x 12 mm

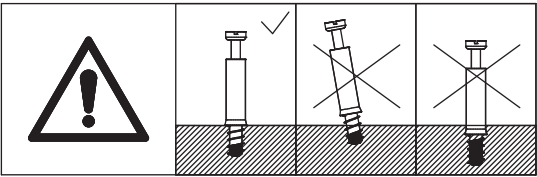
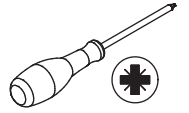
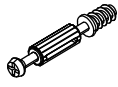


As shown in the figure, connect Panel 6 and 7 to Panel 3, and then insert the eccentric wheel (B) and tighten it by rotating it clockwise.

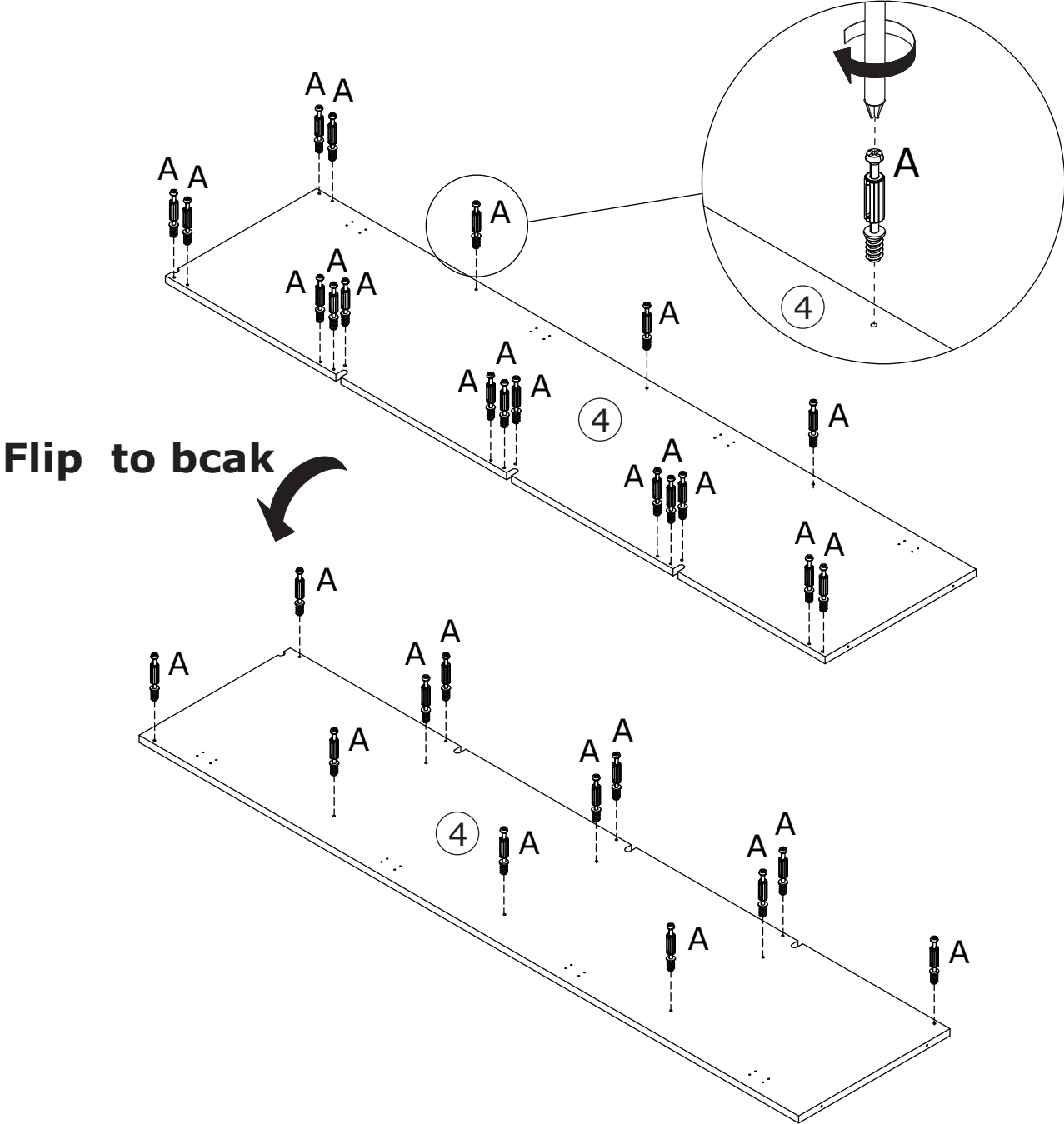


4

A x 30
M5 x 42 mm

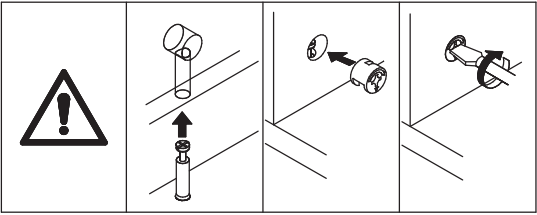
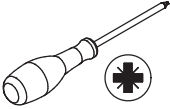


As shown in the figure, screw the self-tapping rod (A) into Panel 4.

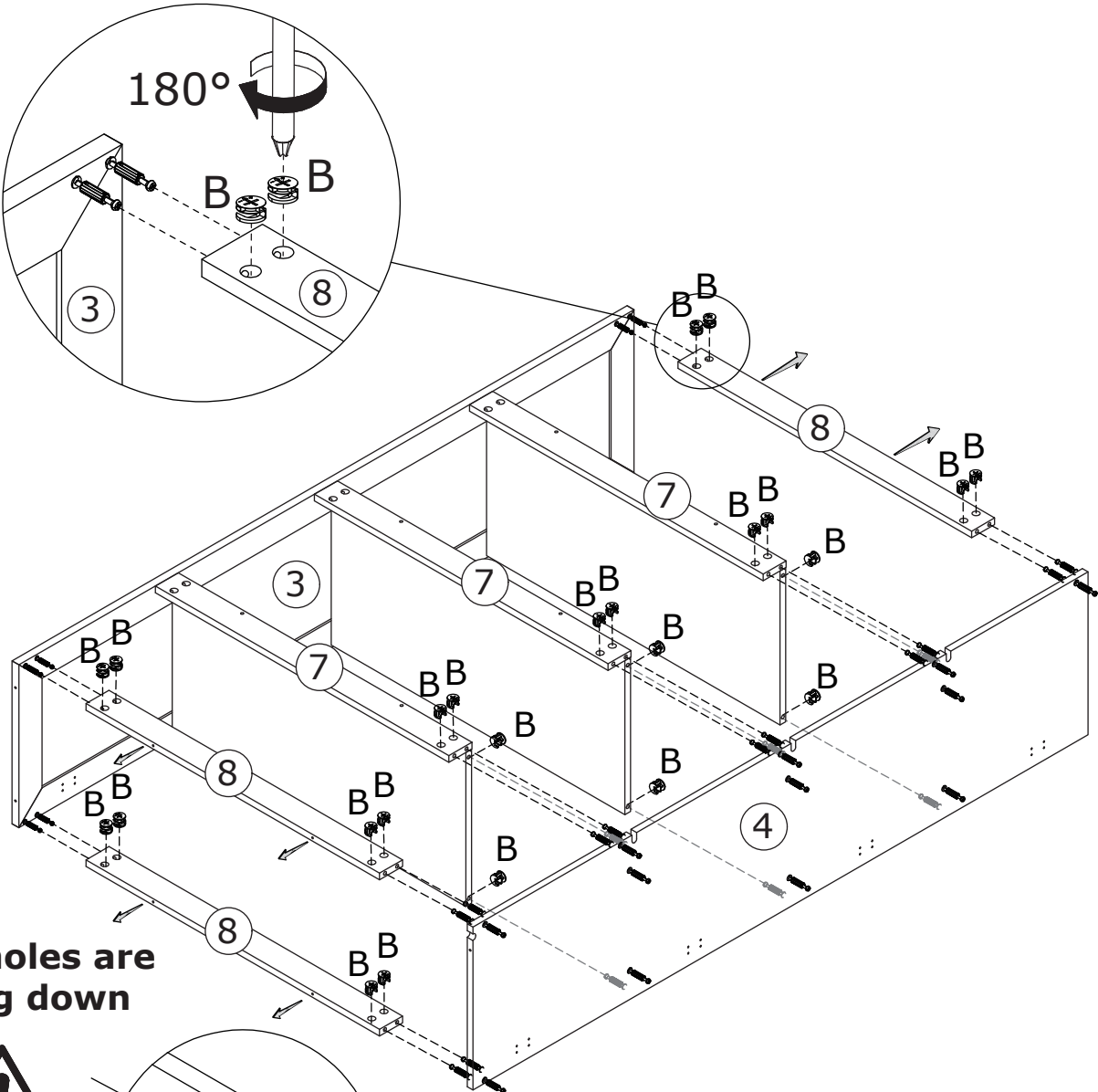


5

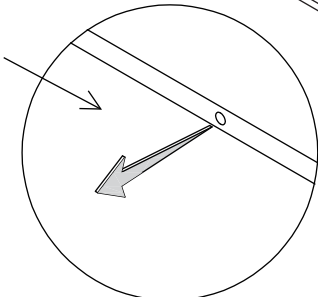
B x 24
Ø15 x 12 mm



As shown in the figure, connect Panel 6, 7 and 8 to Panel 4, and then insert the eccentric wheel (B) and tighten it by rotating it clockwise.

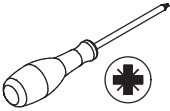


The holes are facing down

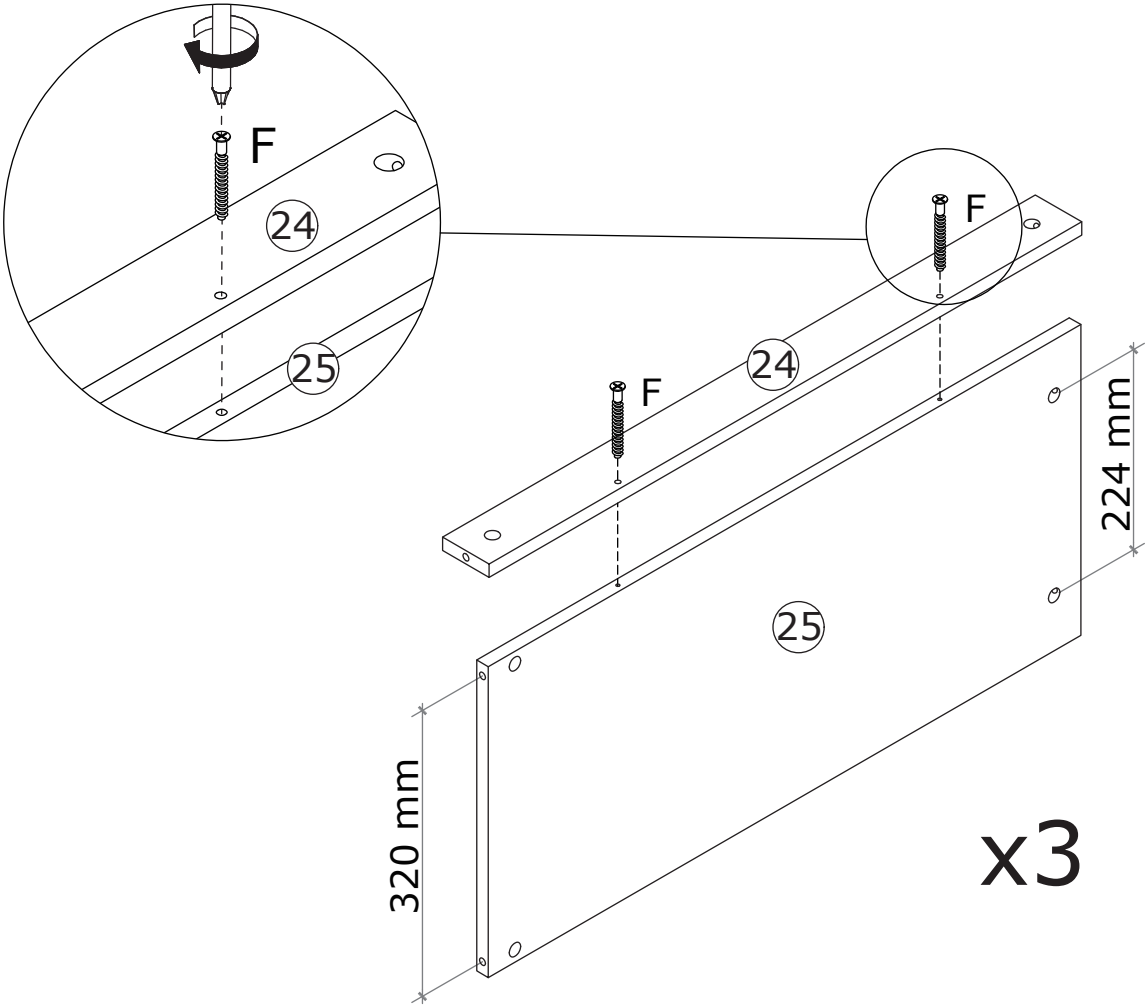


6

F x 6
M5 x 40 mm

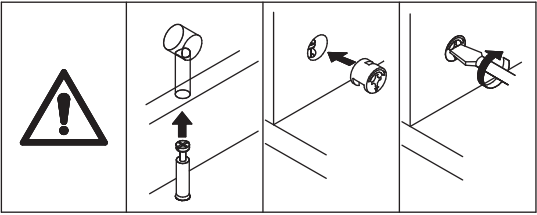
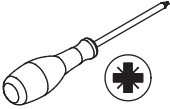


As shown in the figure, fix Panel 24 to Panel 25 with screw (F).

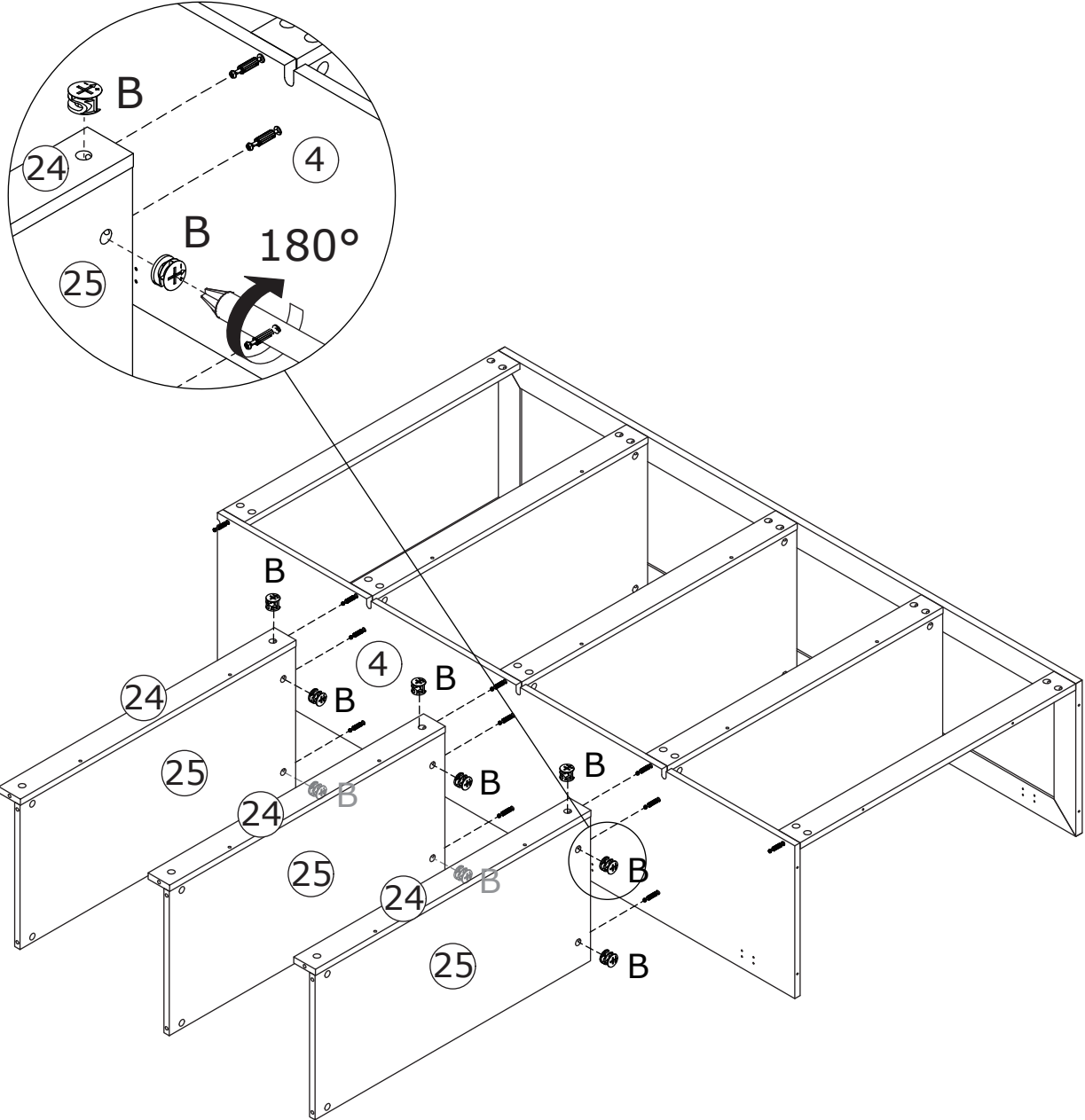


7

B x 9
Ø 15 x 12 mm

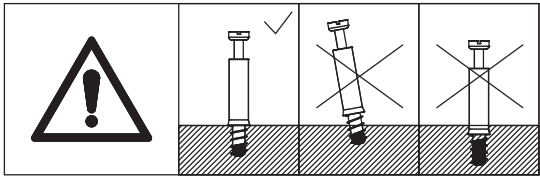
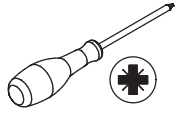
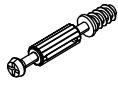


As shown in the figure, connect Panel 24 and 25 to Panel 4, insert the eccentric wheel (B), and then tighten it by rotating it in a clockwise direction.

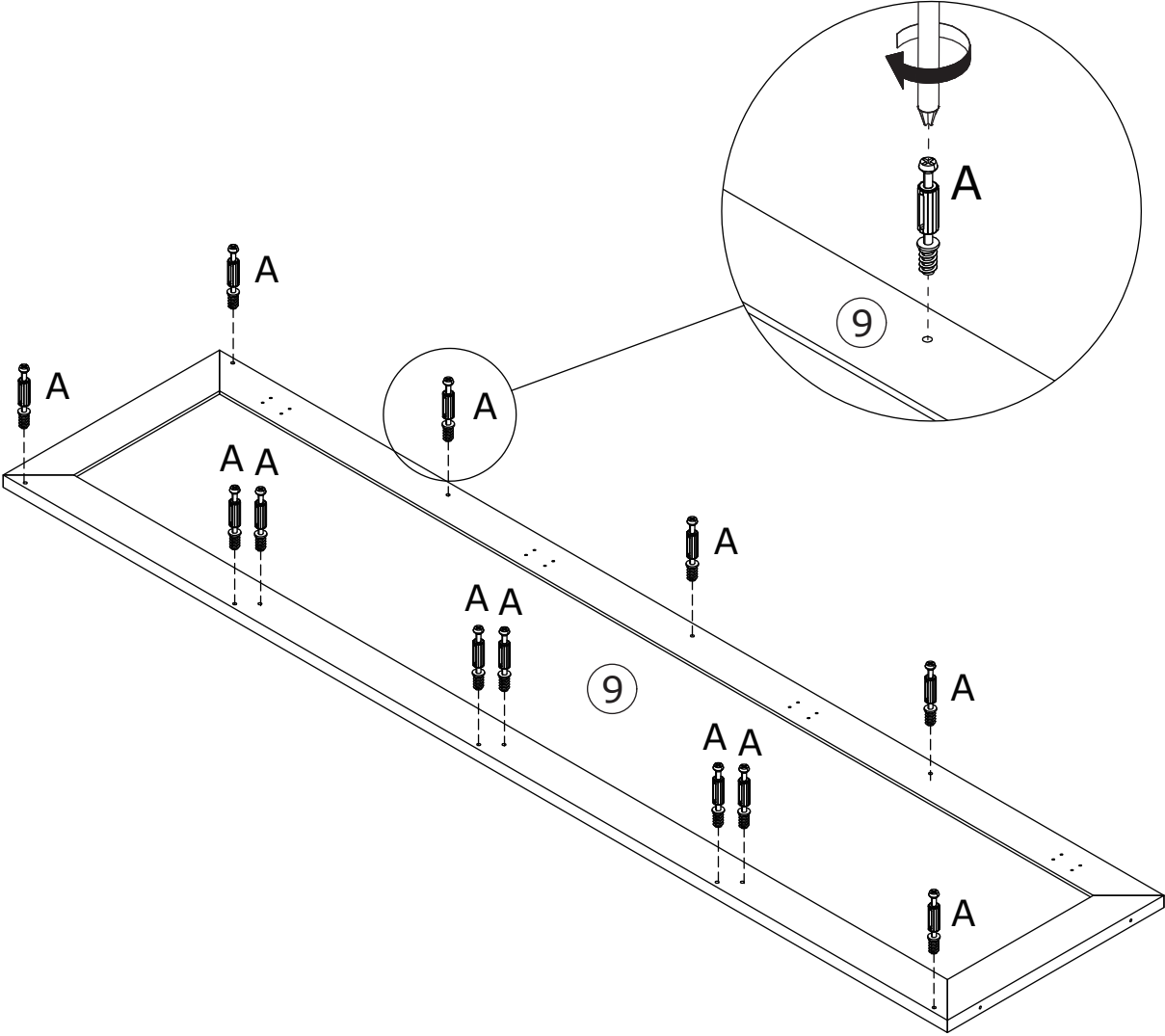


8

A x 12
M5 x 42 mm

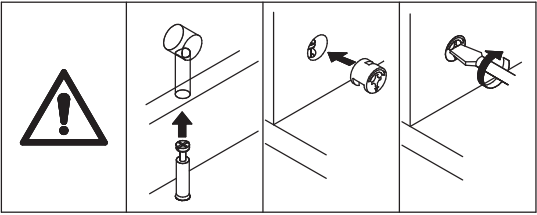
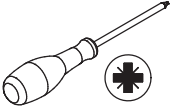


As shown in the figure, screw the self-tapping rod (A) into Panel 9.



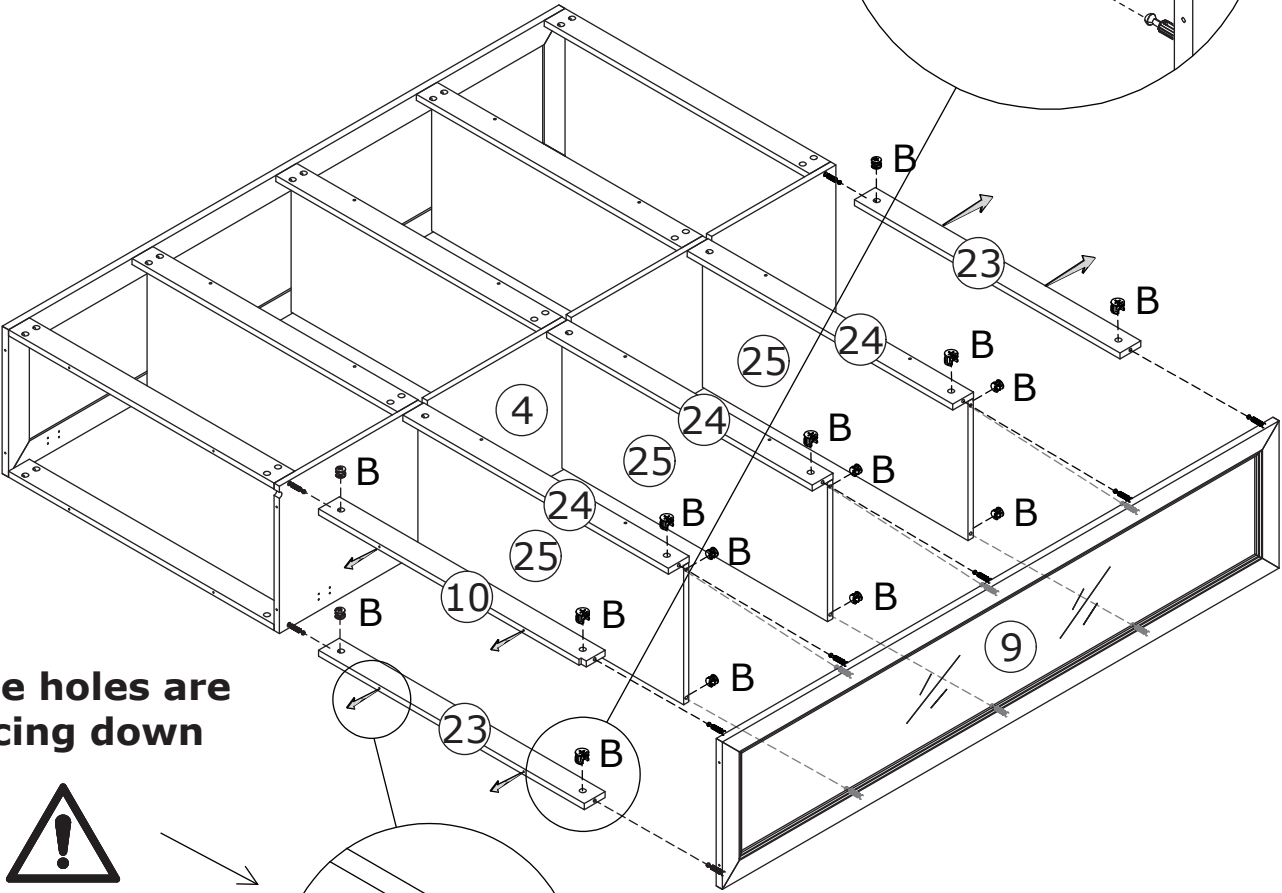
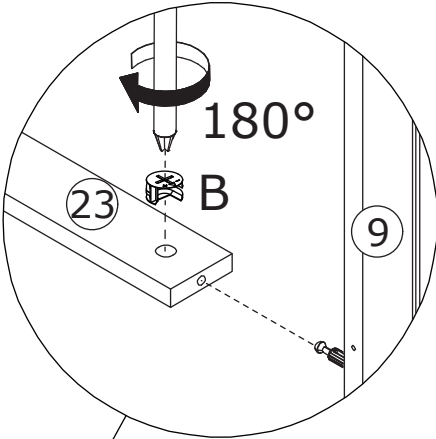
9

B x 15
Ø15 x 12 mm

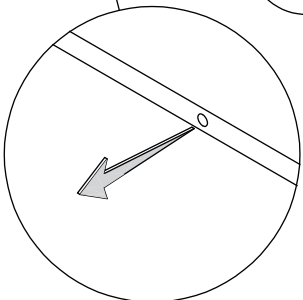


As shown in the figure, connect Panel 10 and 23 to Panel 4, insert the eccentric wheel (B), and then tighten it by rotating it clockwise.

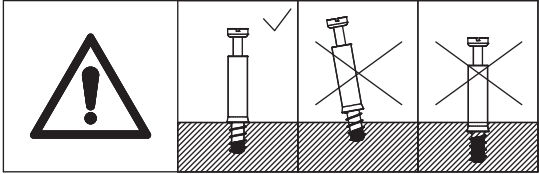
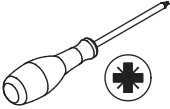
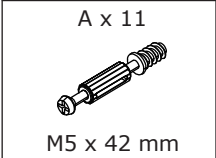
Connect Panel 10, 23, 24 and 25 to Panel 9, insert the eccentric wheel (B) and tighten it by rotating it clockwise.



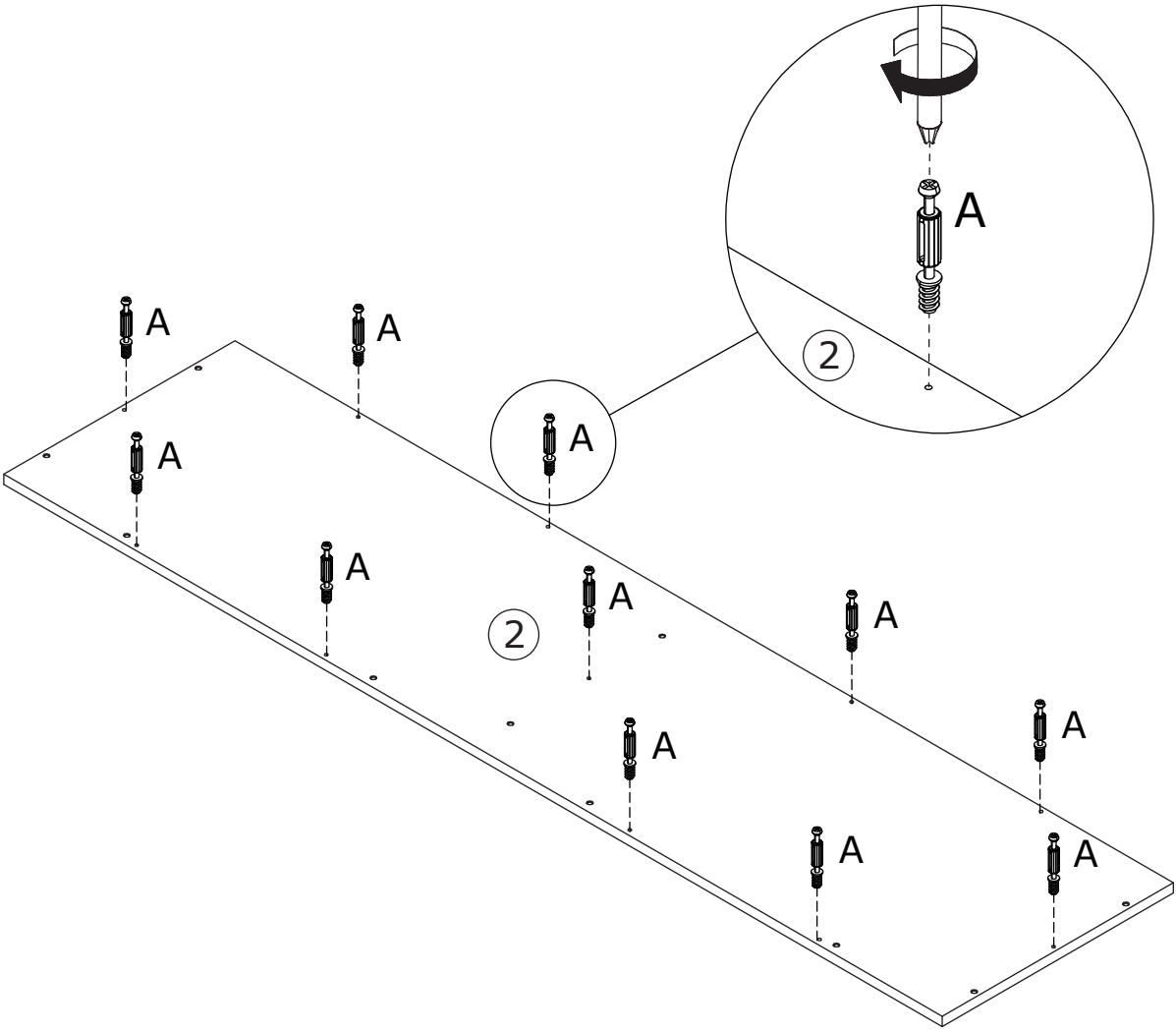
The holes are facing down



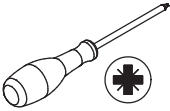
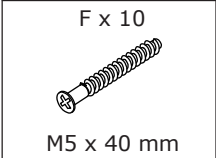
10



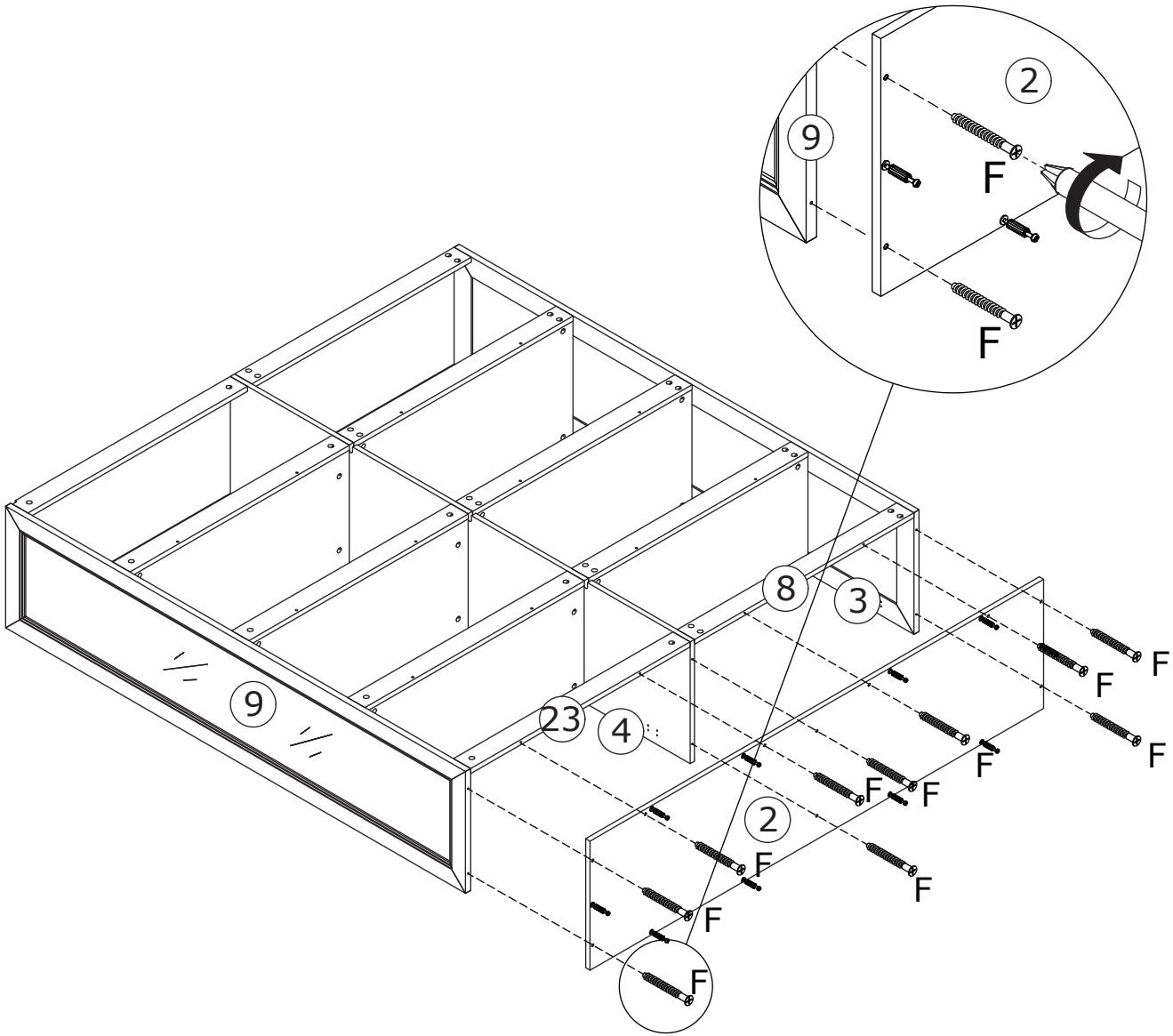
As shown in the figure, screw the self-tapping rod (A) into Panel 2.



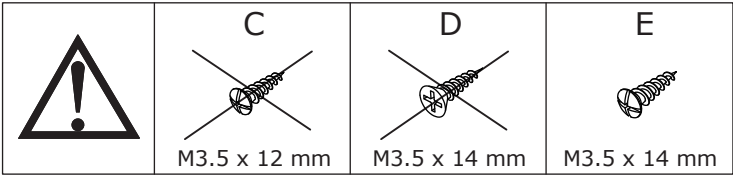
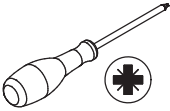
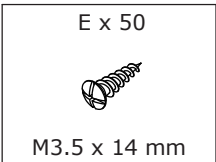
11



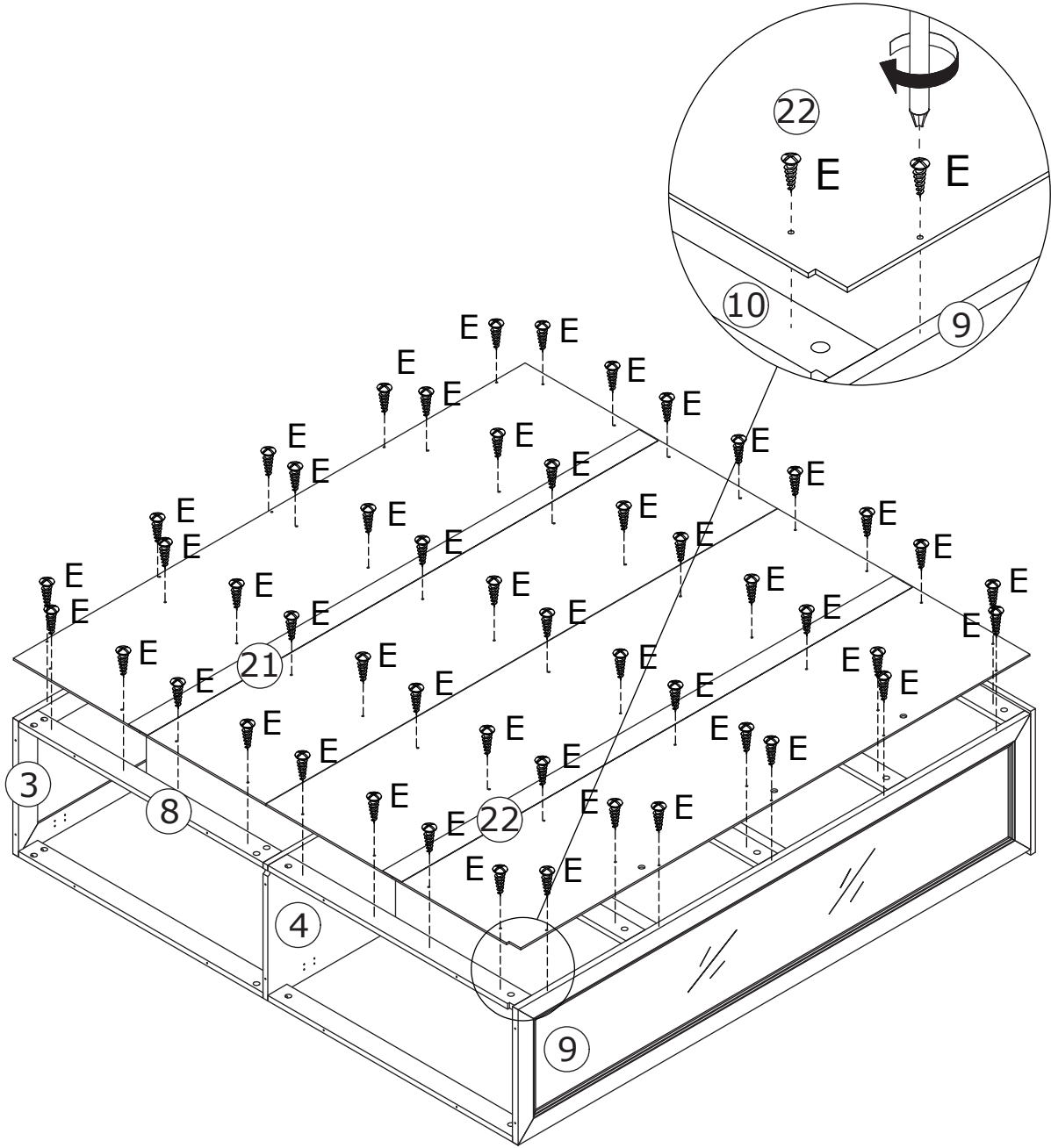
As shown in the figure, fix Panel 2 in Panels 3, 4, 8, 9 and 23 with screw (F).



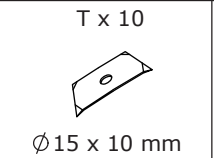
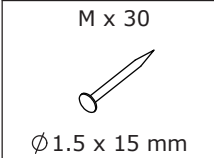
12



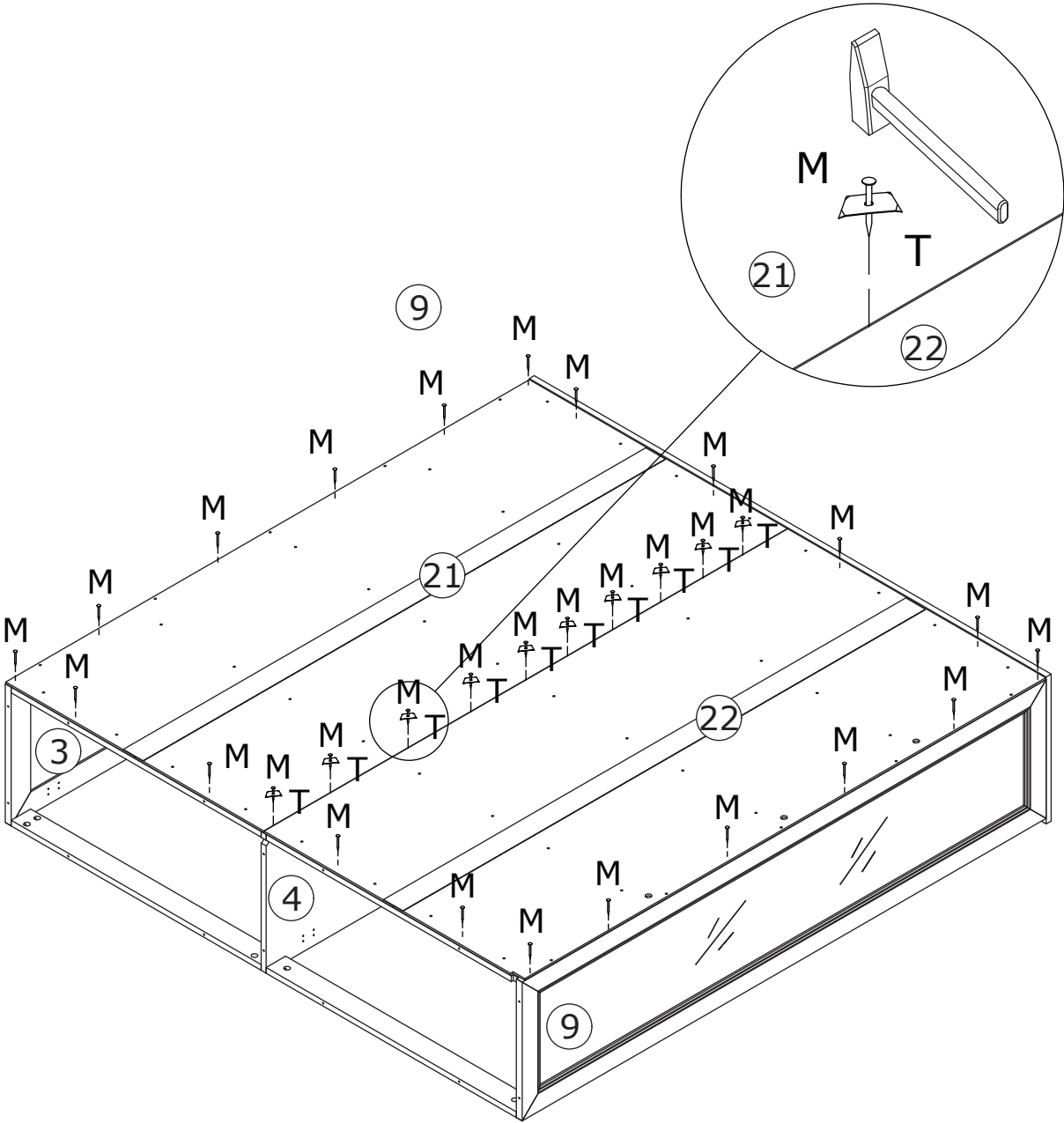
As shown in the figure, fix Panel 21 and 22 to the combined unit with the screw (E).



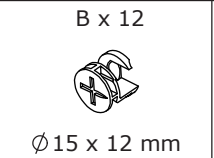
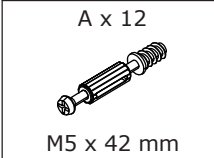
13



As shown in the figure, fix Panel 21 and 22 to the combined unit using the accessory (T) and the nail (M).

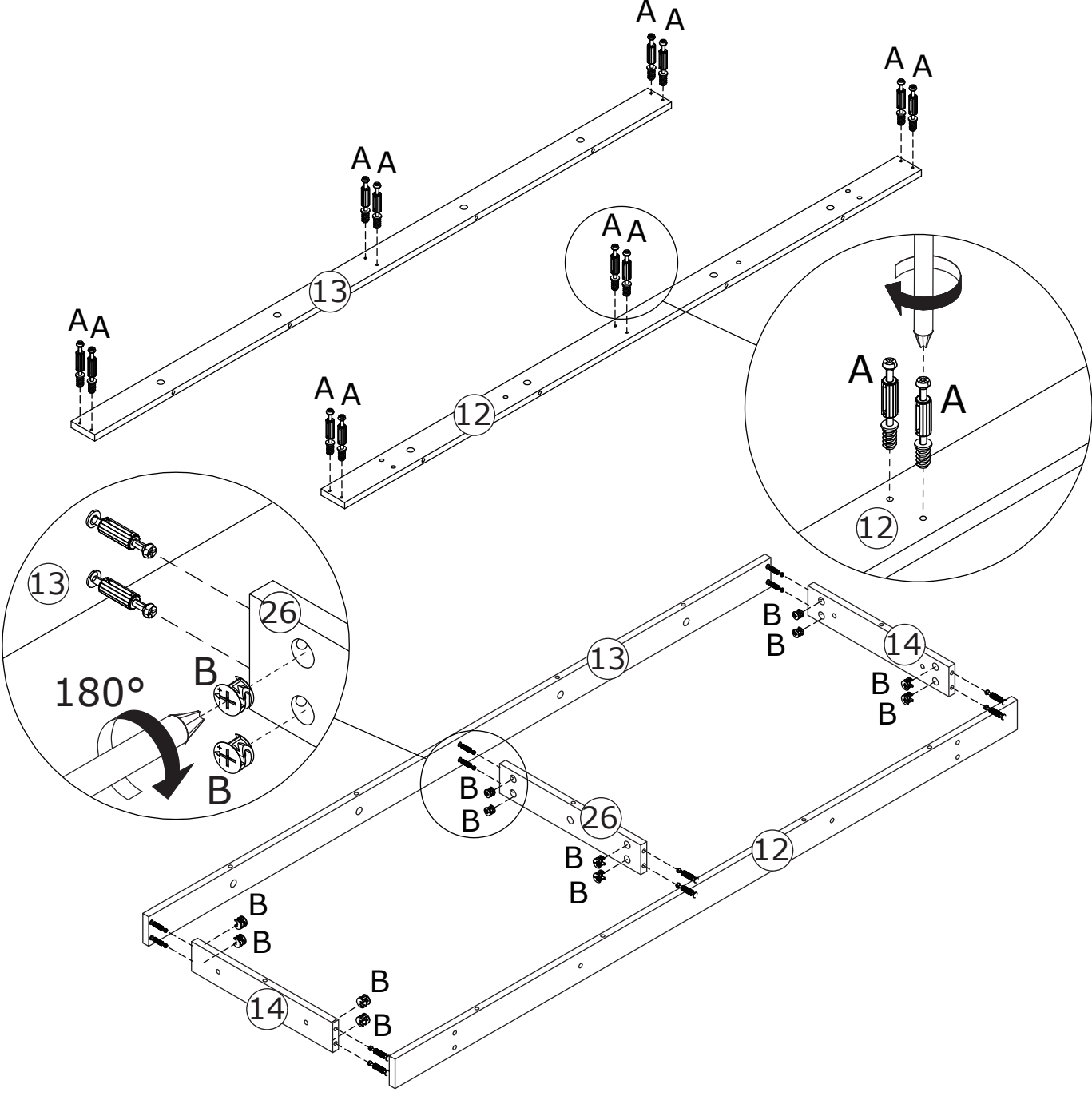
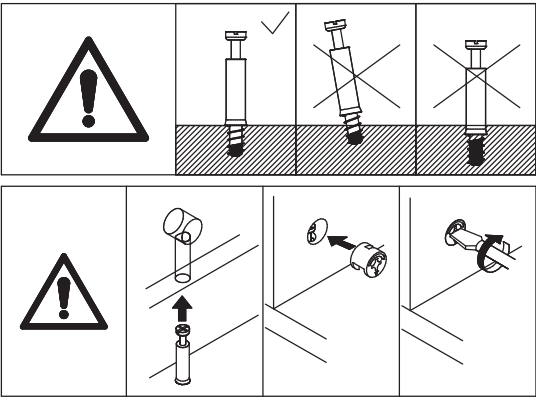


14



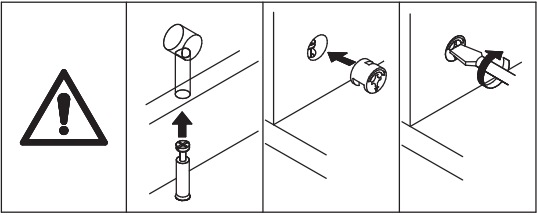
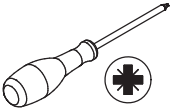
As shown in the figure, screw the self-tapping rod (A) into Panel 12 and 13.

Connect Panel 14 and 16 to Panel 12 and 13, insert the eccentric wheel (B), and then tighten it by rotating it clockwise.

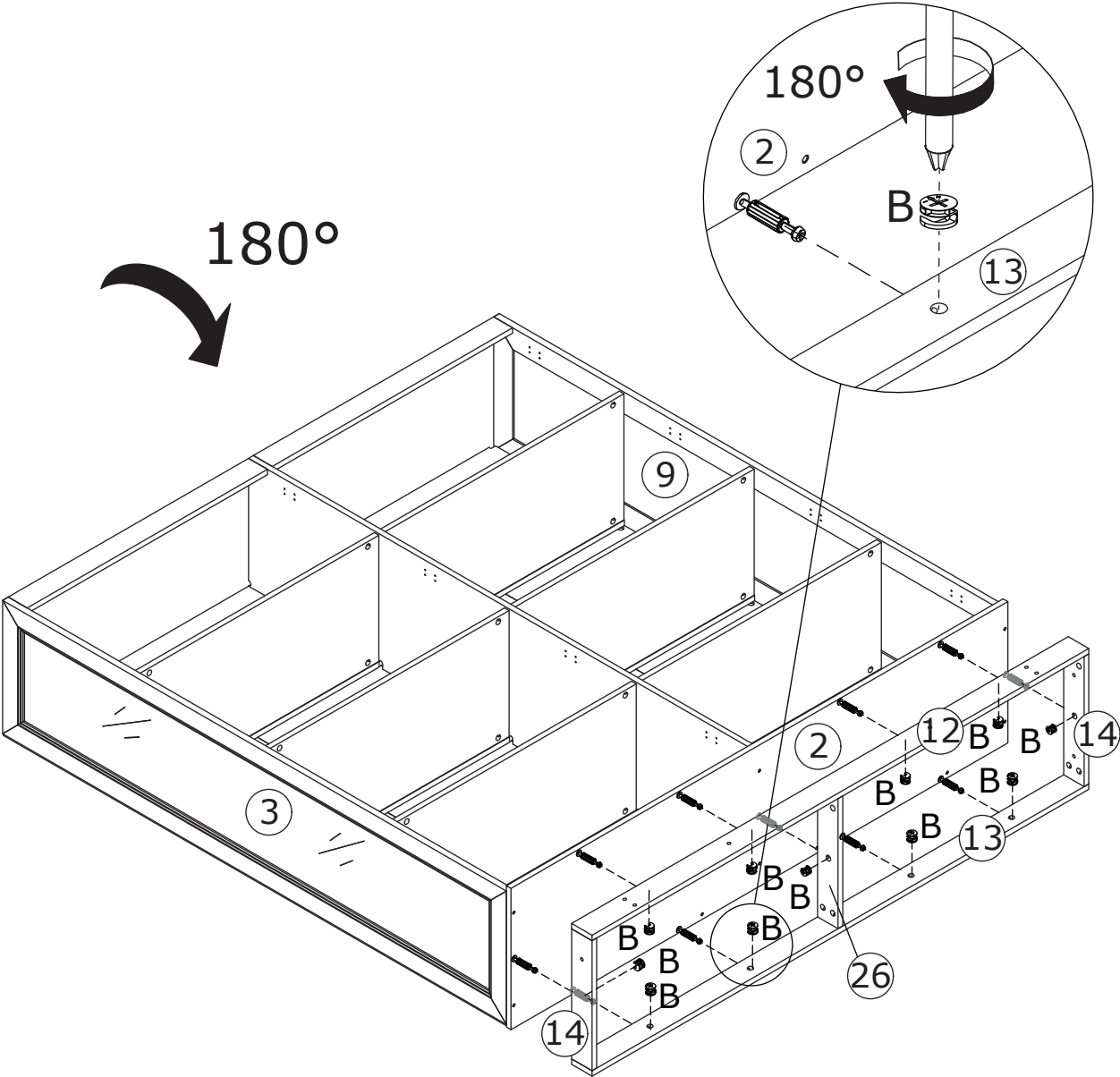


15

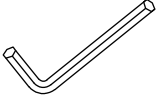
B x 11
Ø15 x 12 mm



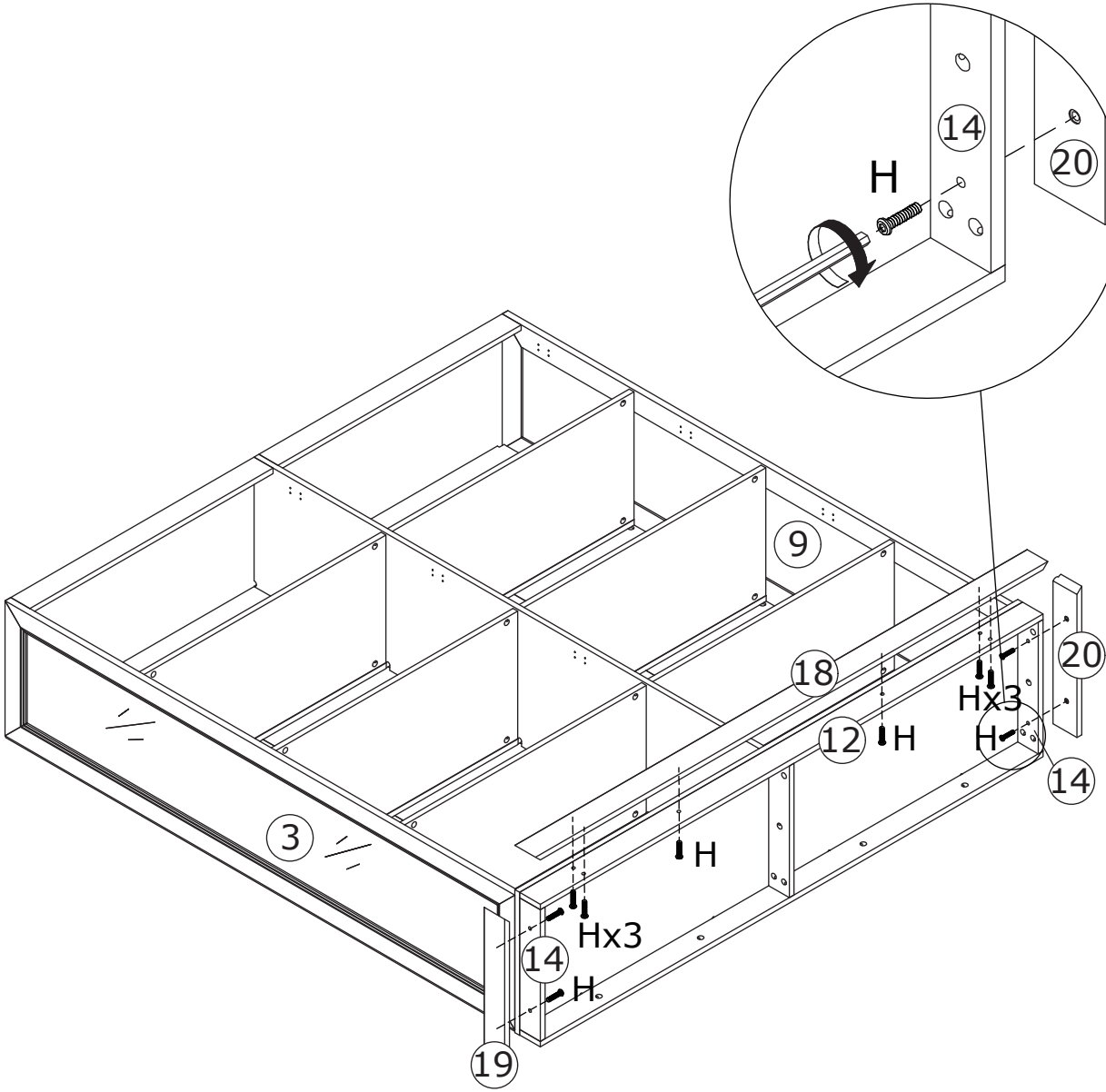
As shown in the figure, connect the two combined units, insert the eccentric wheel (B), and then tighten it by rotating it clockwise.



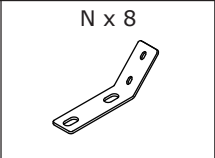
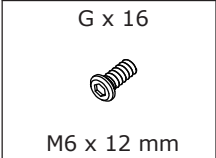
16



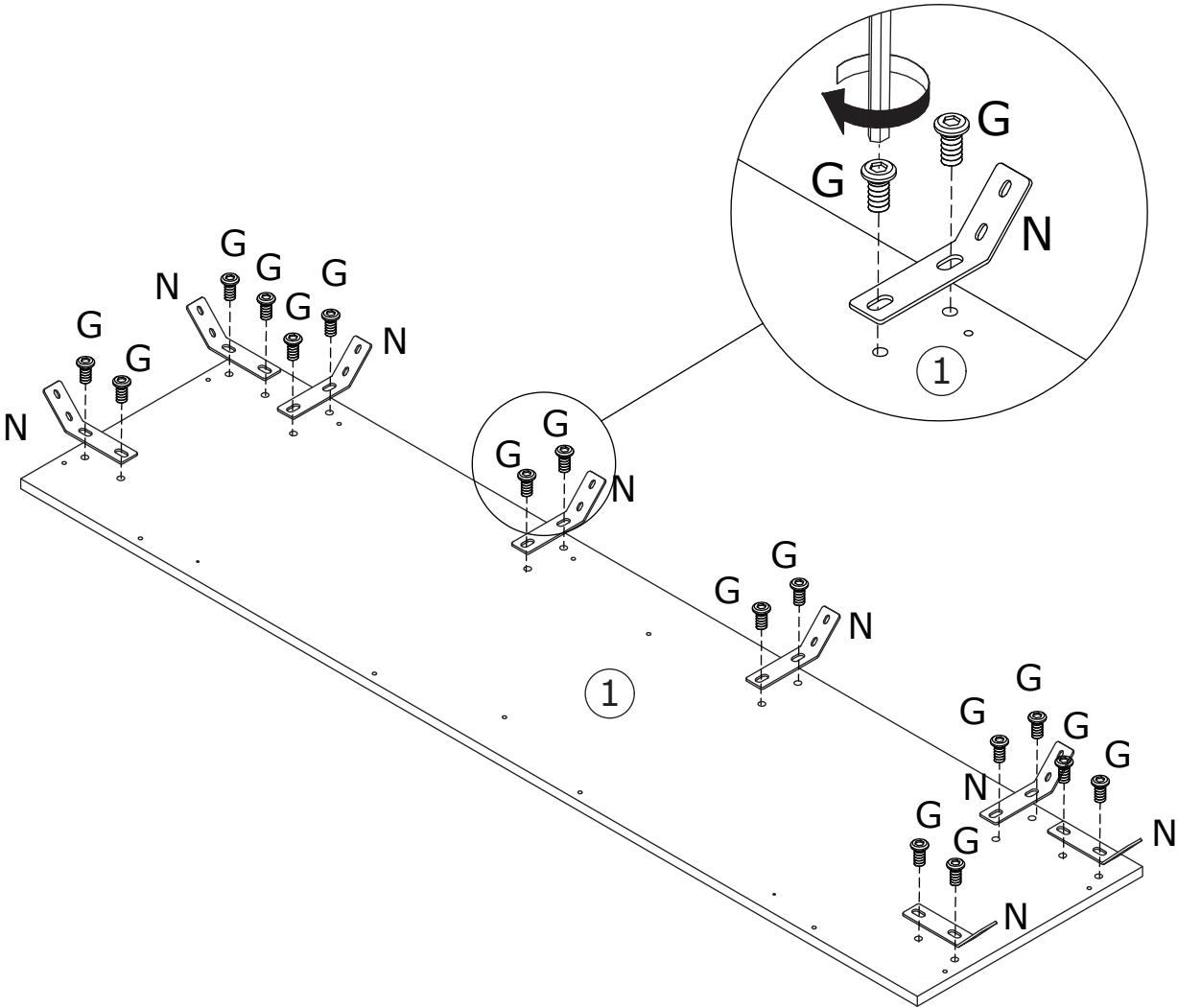
As shown in the figure, use the screw (H) to connect Panel 18 and 20 to Panel 12 and 14.



17

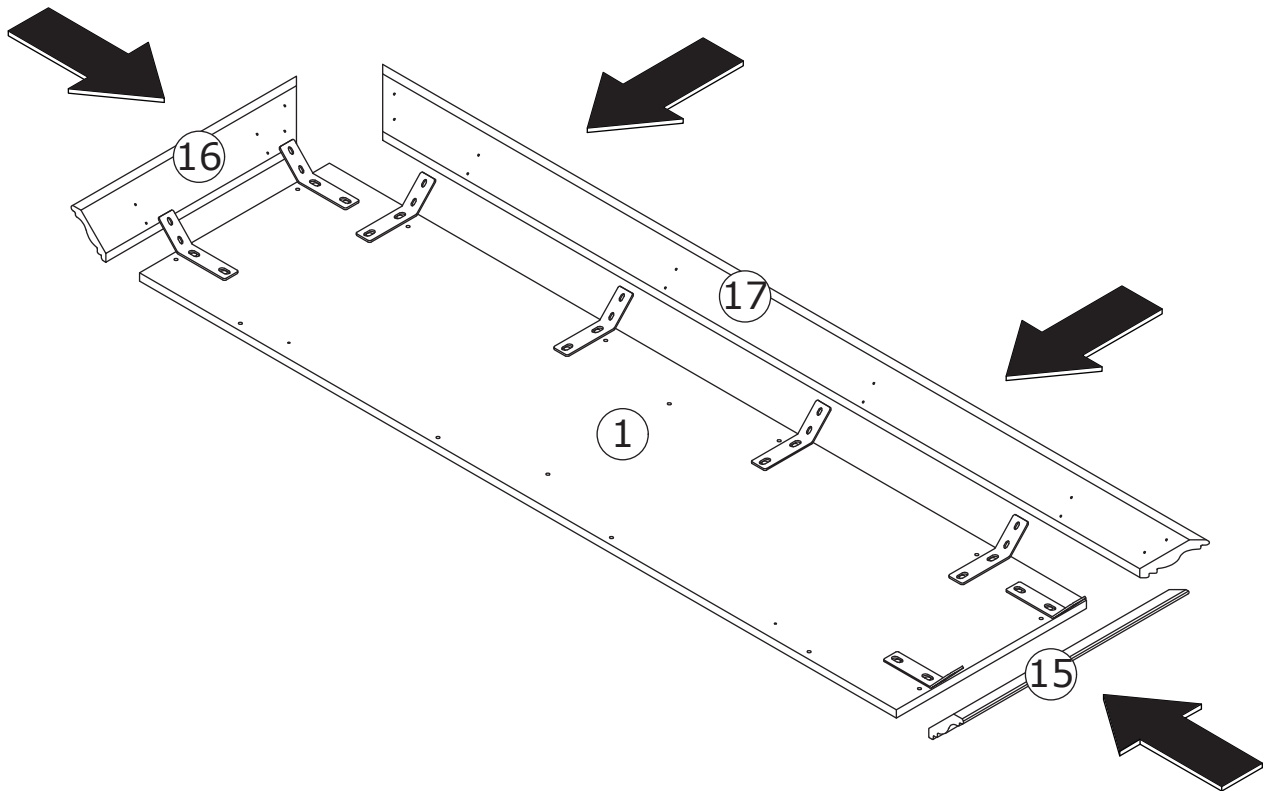


As shown in the figure, fix the accessory (N) to Panel 1 with the screw (G).



18

First, try to closely attach Panel 15, 16 and 17 to Panel 1 to determine the correct position.

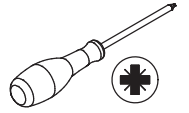


19

C x 16



M3.5 x 12 mm

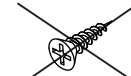


C



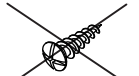
M3.5 x 12 mm

D



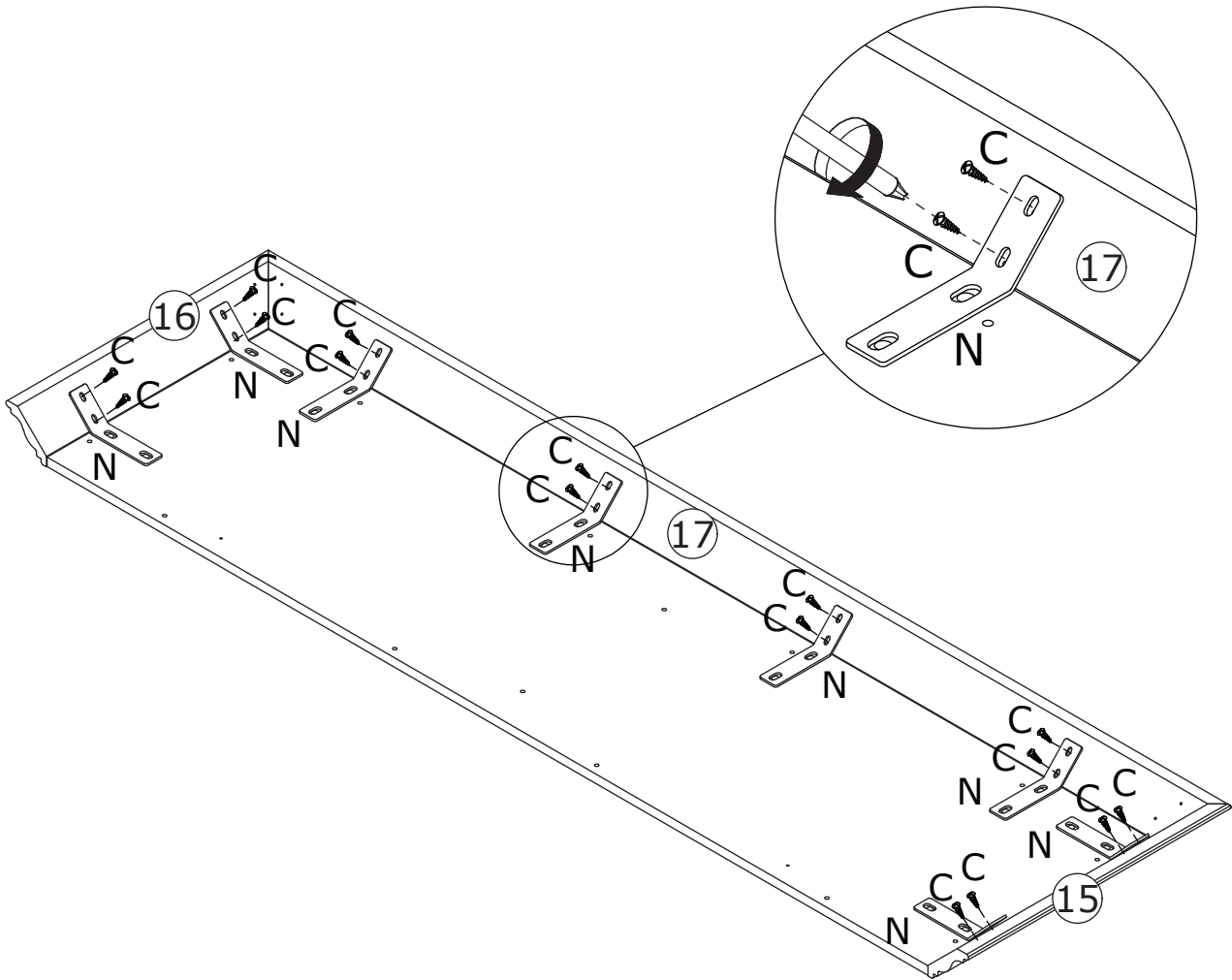
M3.5 x 14 mm

E

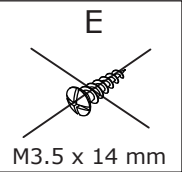
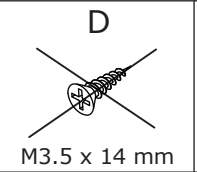
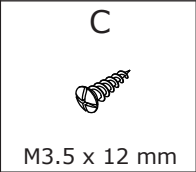
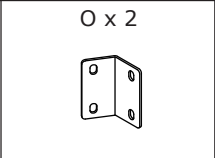
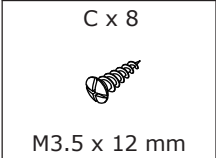


M3.5 x 14 mm

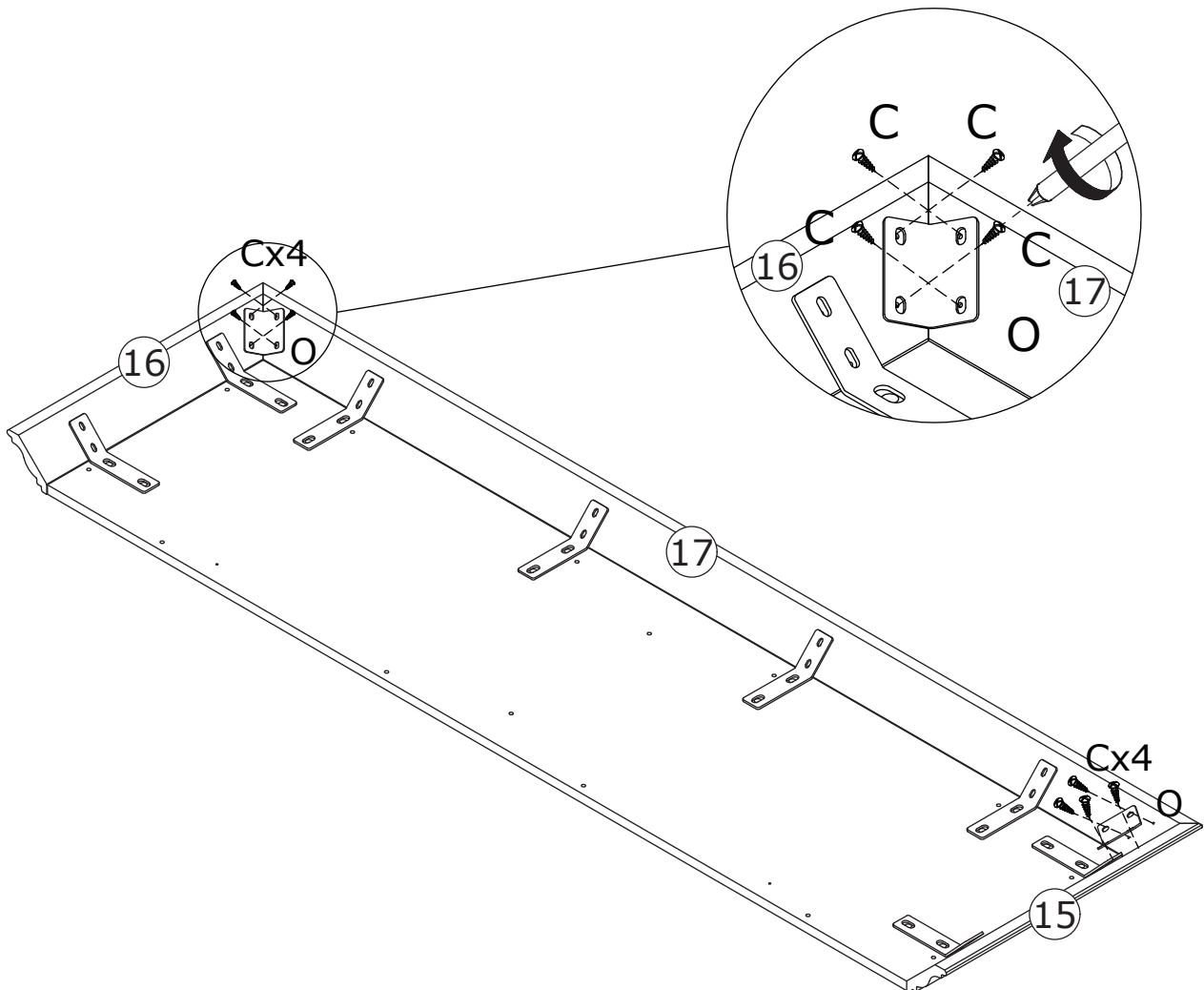
After adjusting the position, install the screws C.



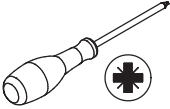
20



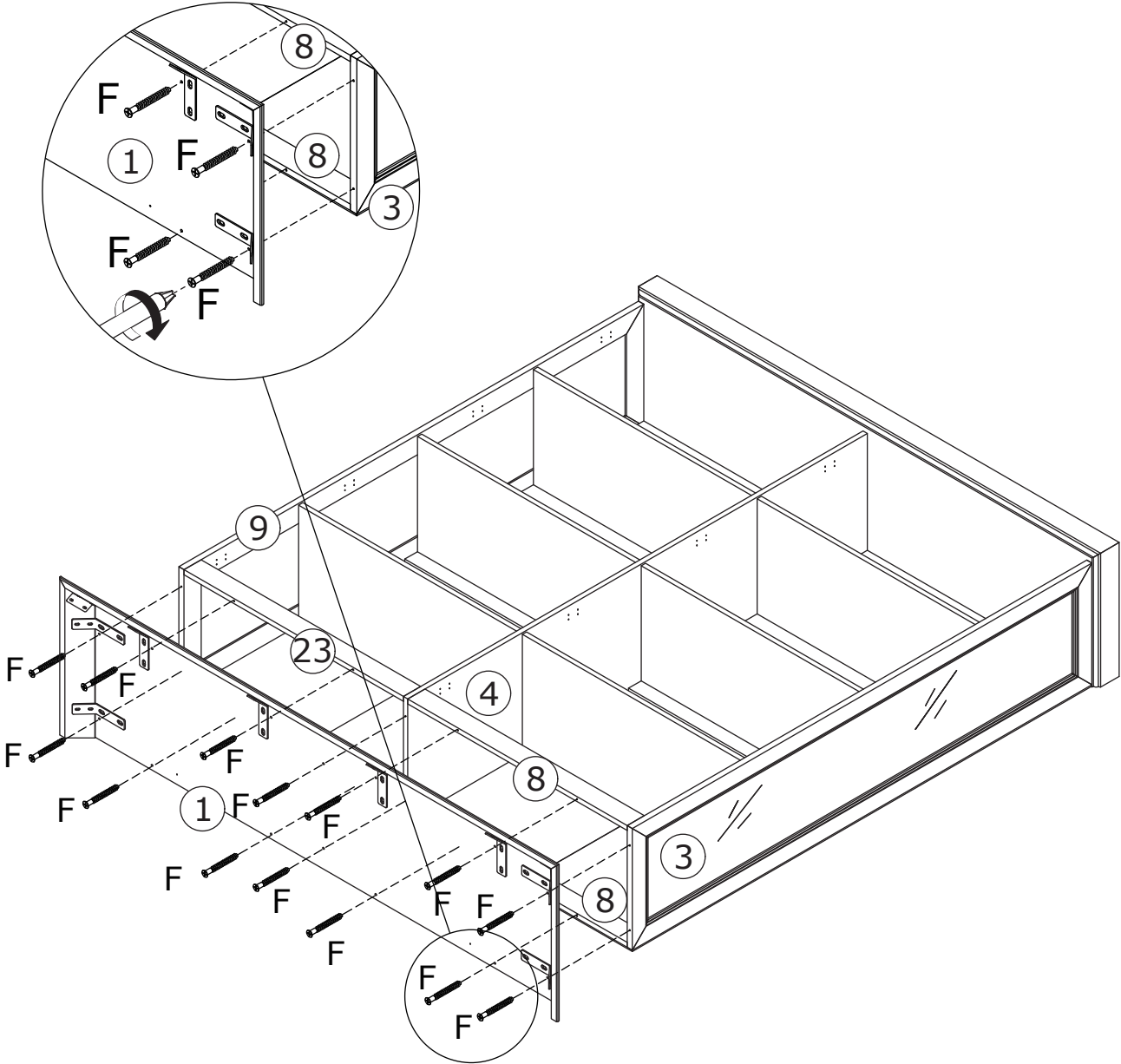
Adjust the proper gap, then install part (O) for reinforcement, and finally tighten all the screws.



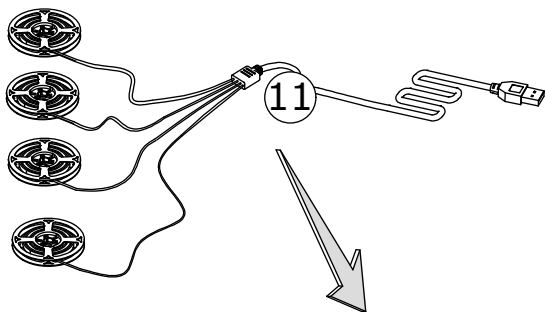
21



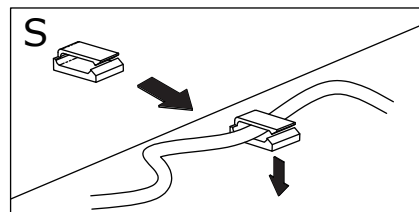
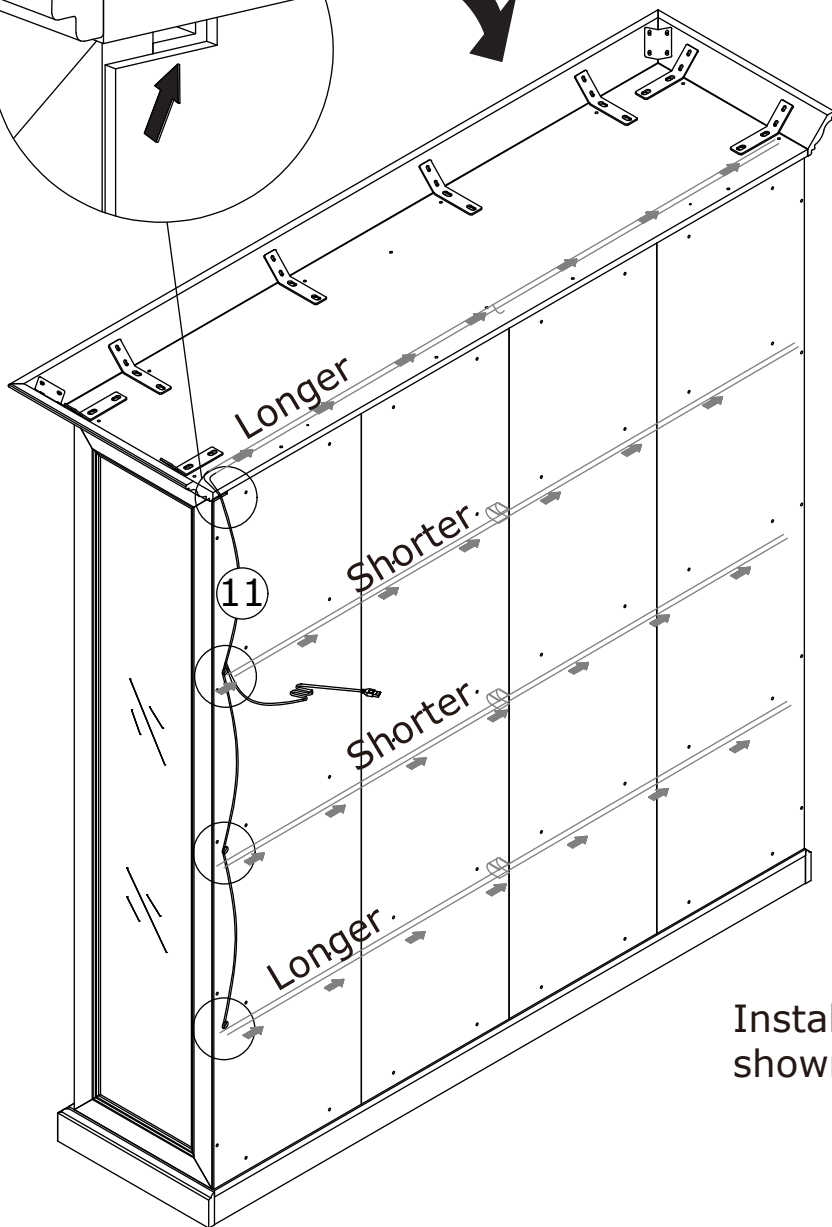
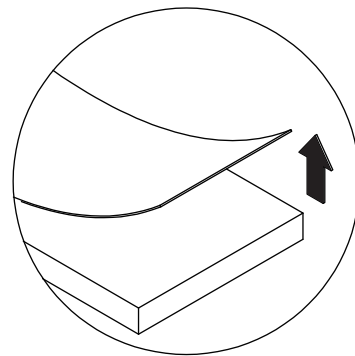
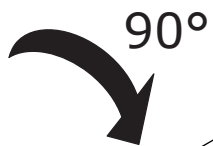
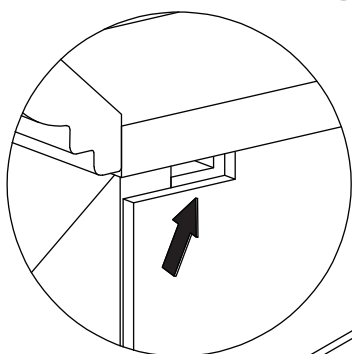
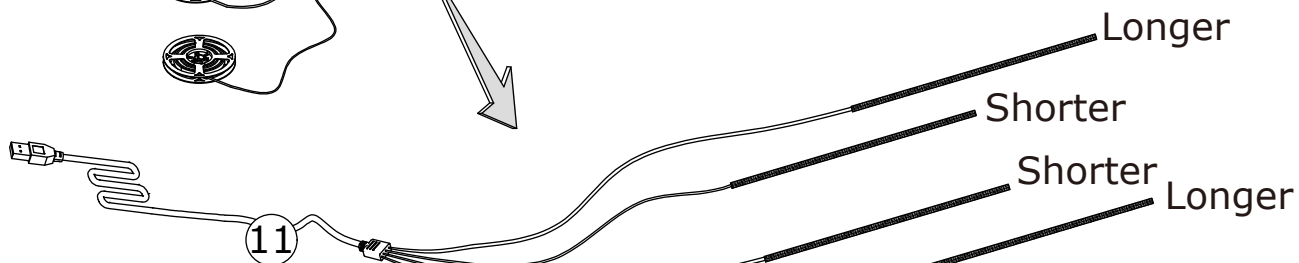
As shown in the figure, connect the two combined units with screw (F).



22



**Note the length of the light strip.
Do not drag forcefully during installation.**



This buckle can be installed or not.

Install the light strip as shown in the diagram.

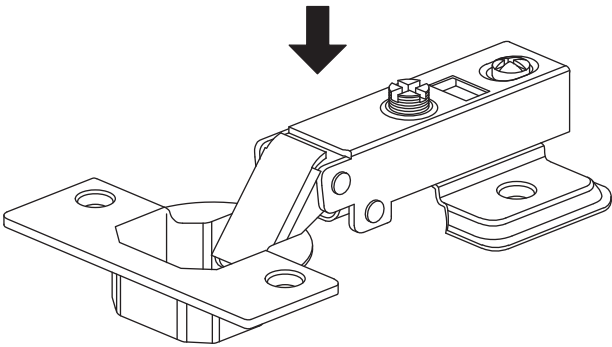


Pay attention to the difference between the middle parts of the two types of door hinges.

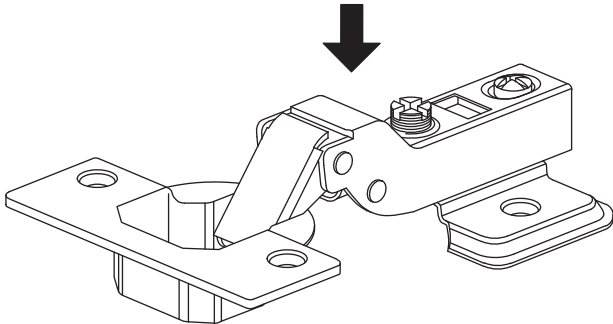


The full coverage door hinges(I) are used on outermost door panel.

The curved door hinges(U) are used on the door panel in the middle of the cabinet.


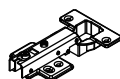
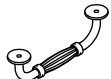
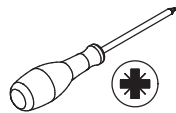



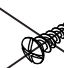


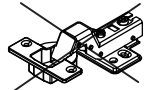


I

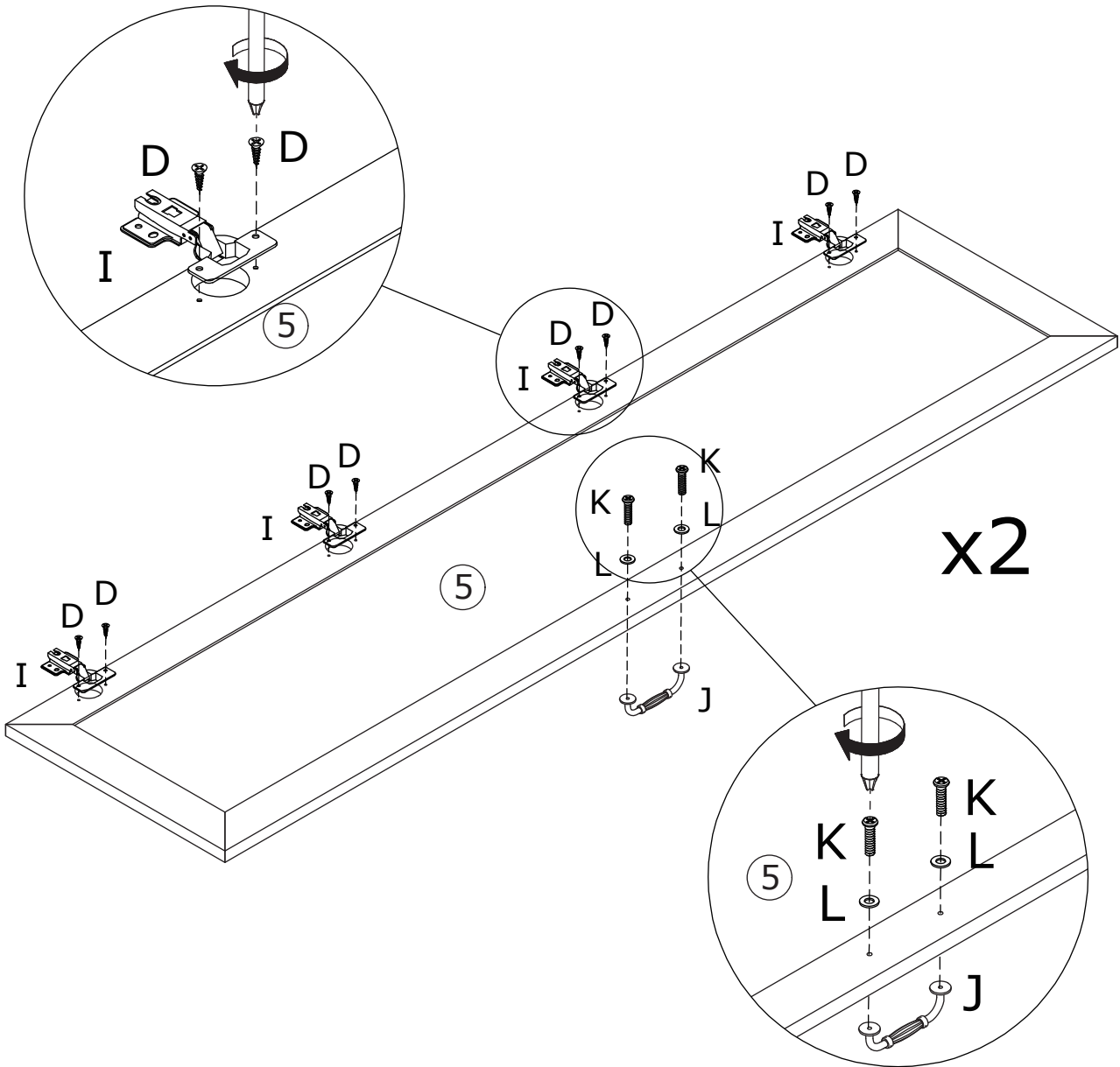


U

24


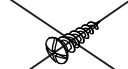

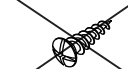

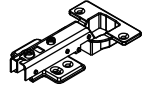
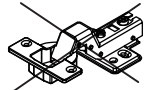
| | | | |
|---|---|---|---|
| D x 16  M3.5 x 14 mm | I x 8  ZW | J x 2  8339-92 |  |
| K x 4  M4 x 22 mm | L x 4  12 x 4 x 1 mm |  | C  M3.5 x 12 mm |
| | |  | E  M3.5 x 14 mm |
| | | | U  |

As shown in the figure, fix the door hinge (I) to Panel 5 with the screw (D).
Fix handle (J) with screw (K) and washer (L).

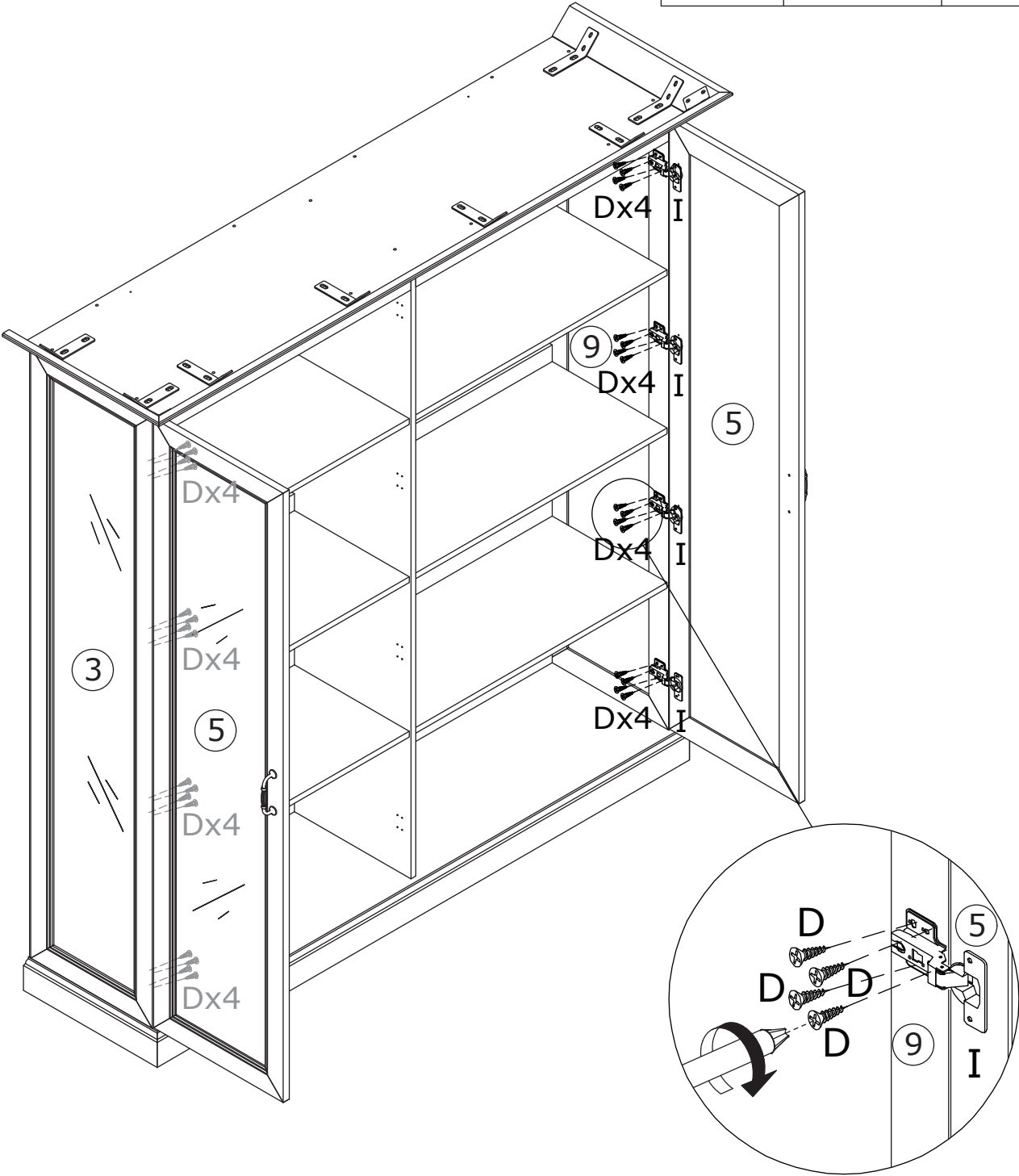


25


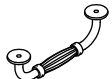

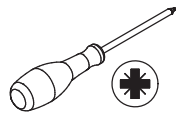

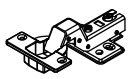

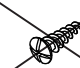



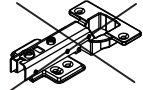
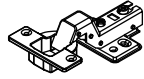
| | |
|---|---|
| D x 32  M3.5 x 14 mm |  |
|---|---|

| | | | |
|--|---|--|--|
|  |  C M3.5 x 12 mm |  D M3.5 x 14 mm |  E M3.5 x 14 mm |
|  |  I |  U | |

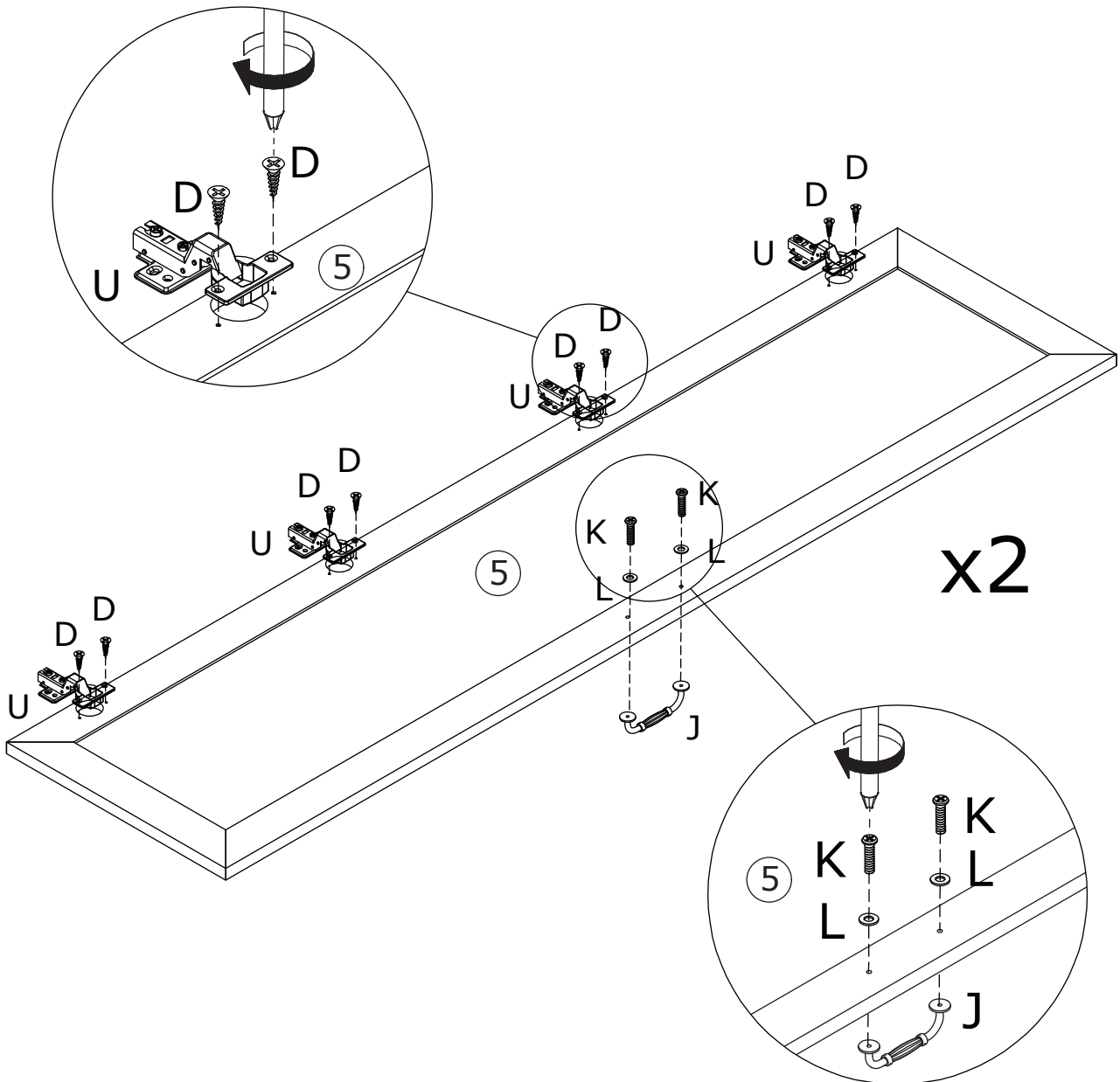
As shown in the figure, use screw (D) to fix door hinge (I) to Panel 4.



26

| | | | | | |
|---|---|--|---|--|--|
| <p>D x 16</p>  <p>M3.5 x 14 mm</p> | <p>J x 2</p>  <p>8339-92</p> | <p>K x 4</p>  <p>M4 x 22 mm</p> |  | | |
| <p>L x 4</p>  <p>12 x 4 x 1 mm</p> | <p>U x 8</p>  <p>ZW</p> |  | <p>C</p>  <p>M3.5 x 12 mm</p> | <p>D</p>  <p>M3.5 x 14 mm</p> | <p>E</p>  <p>M3.5 x 14 mm</p> |
| | |  | <p>I</p>  | <p>U</p>  | |

As shown in the figure, fix the door hinge (U) to Panel 5 with the screw (D).
 Fix handle (J) with screw (K) and washer (L).

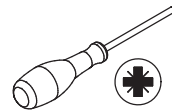


28

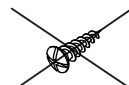
D x 16



M3.5 x 14 mm



C



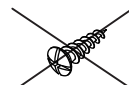
M3.5 x 12 mm

D



M3.5 x 14 mm

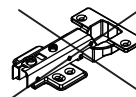
E



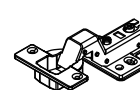
M3.5 x 14 mm



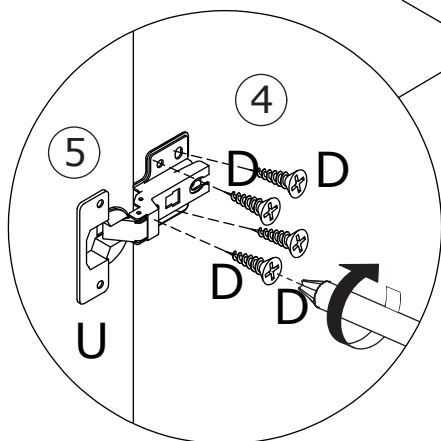
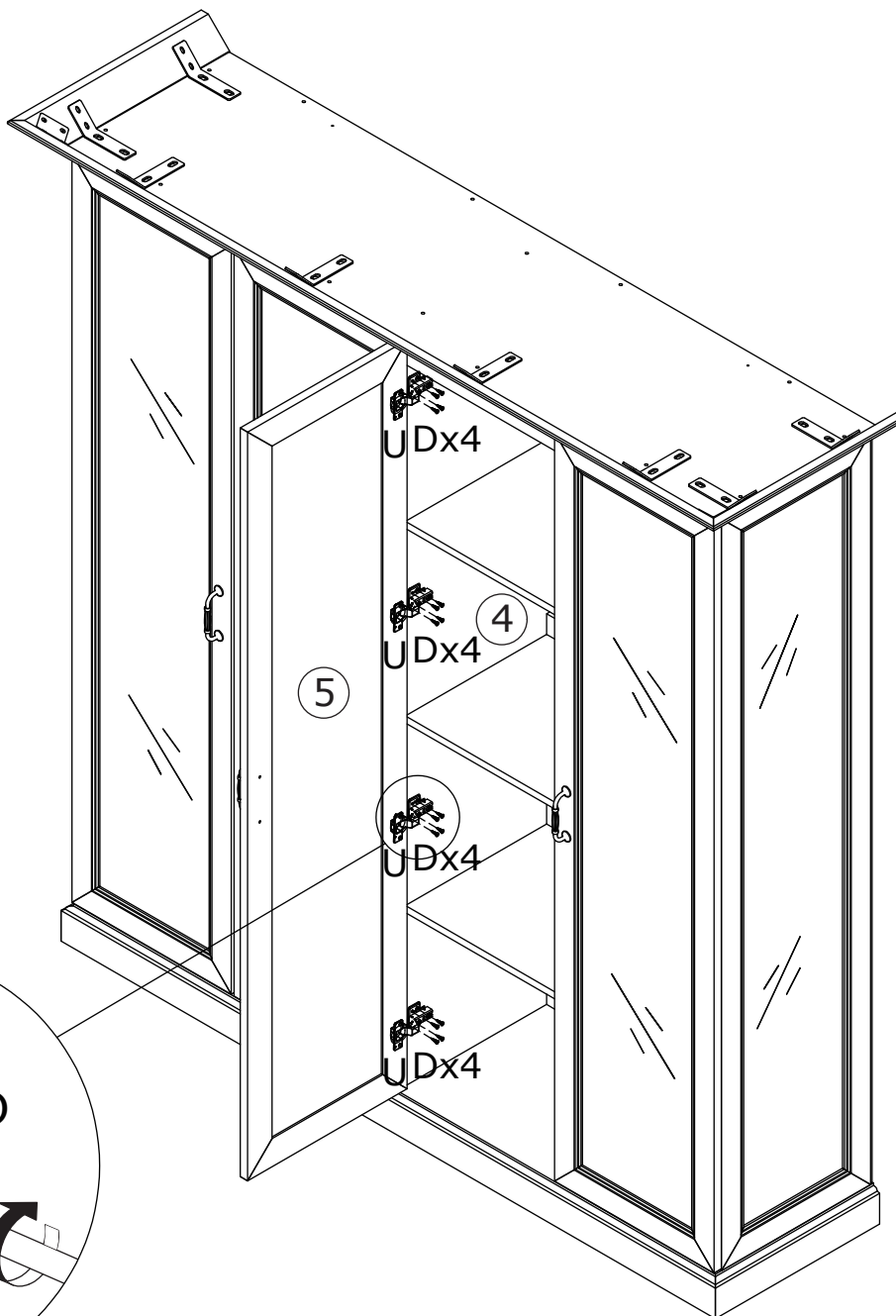
I

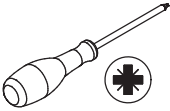


U

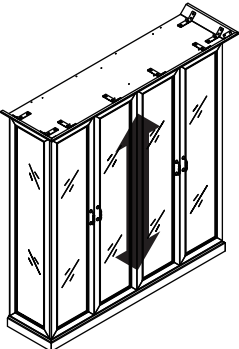
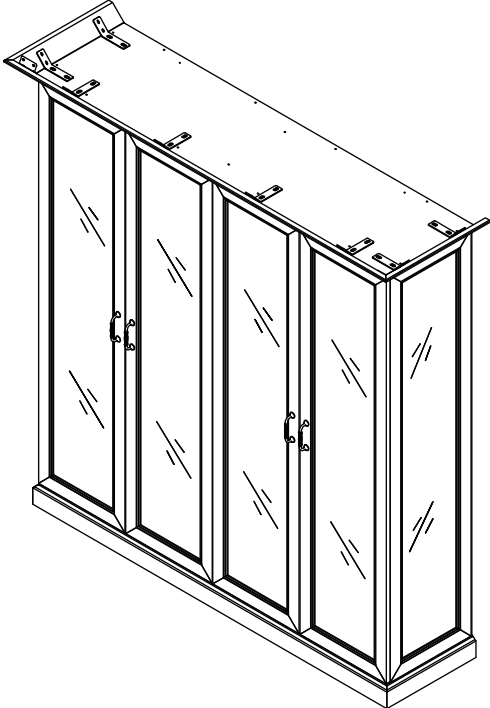


As shown in the figure, fix door hinge (U) to Panel 4 with screw (D).

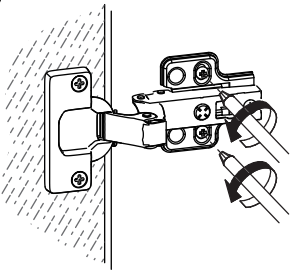




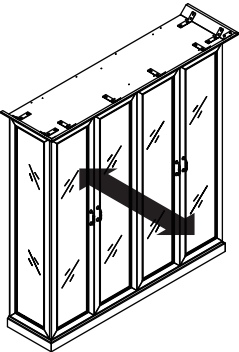
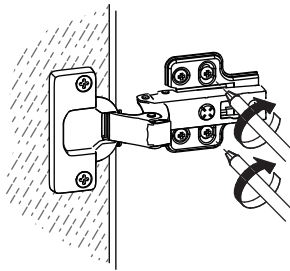
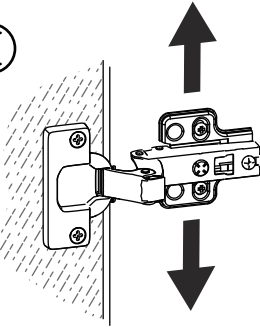
If doors are still not aligned if the hinges are properly correctly.



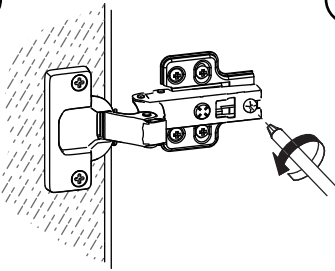
Ⓘ



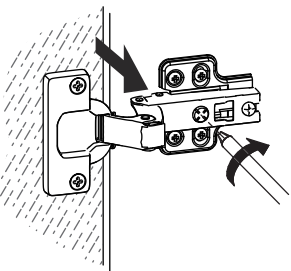
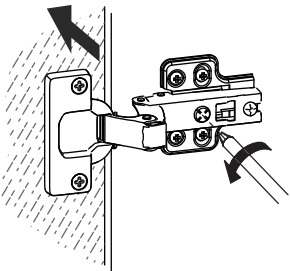
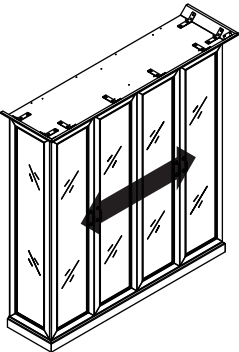
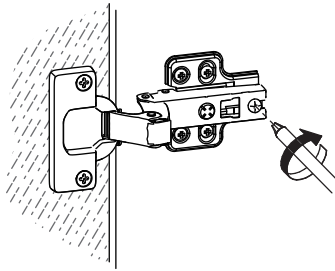
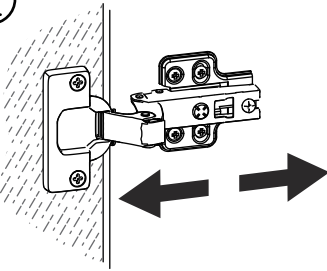
Ⓙ




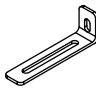
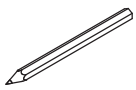
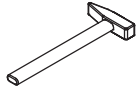
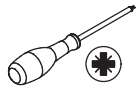

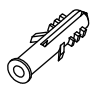


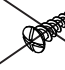

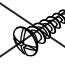
Ⓚ



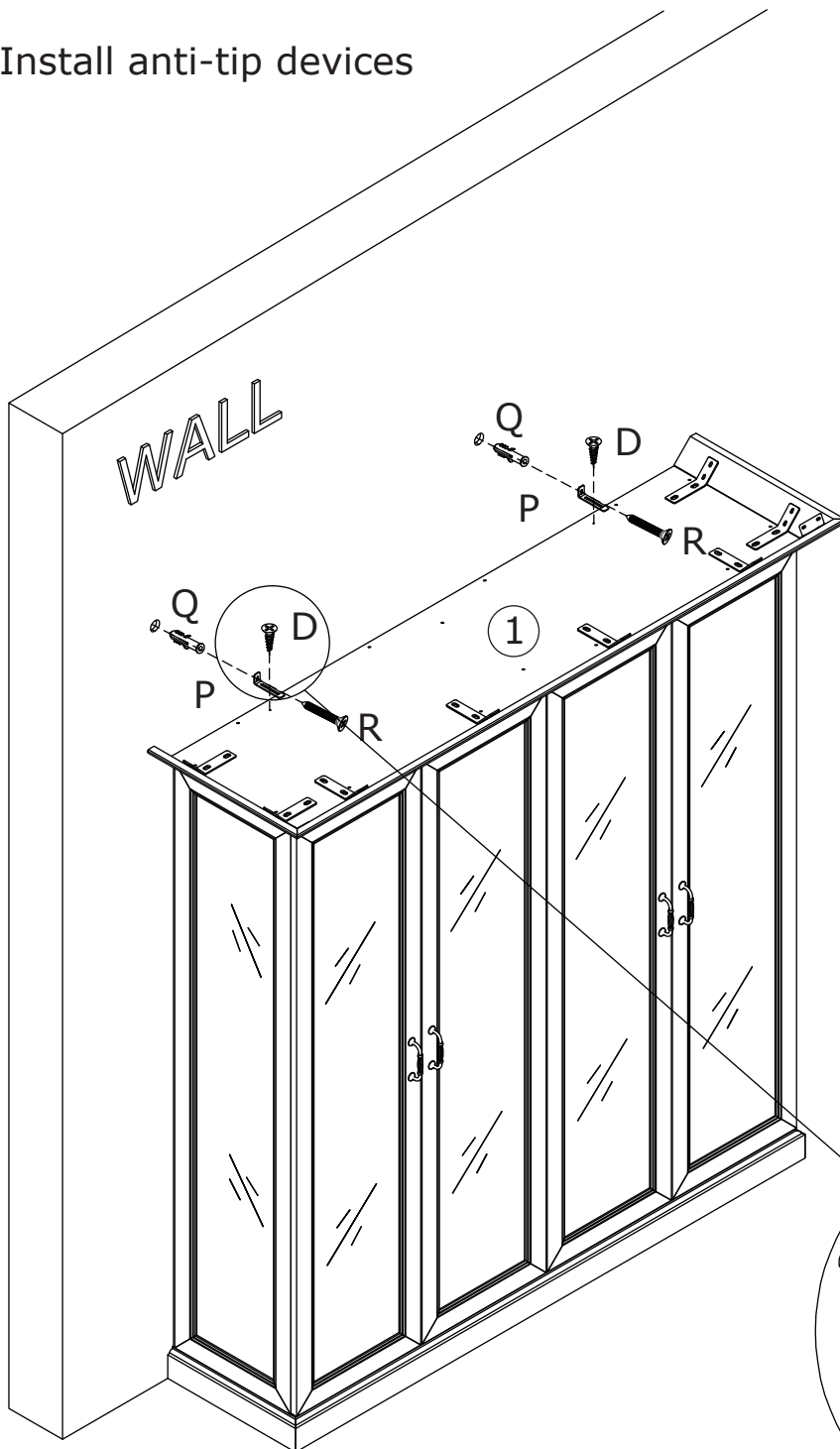
Ⓛ

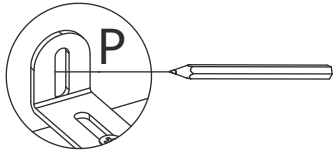
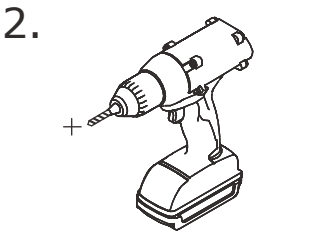
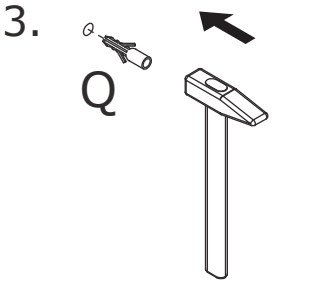
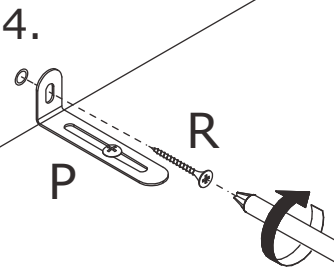


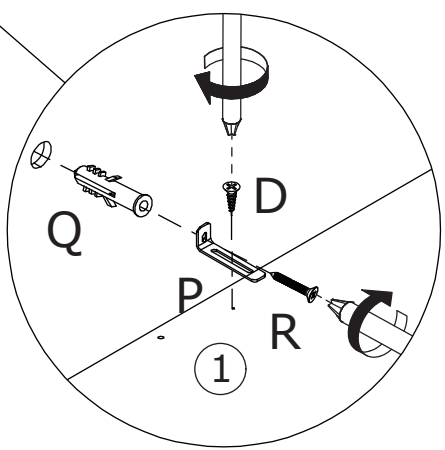
30

| | | | | | |
|--|--|--|--|---|---|
| D x 2  M3.5 x 14 mm | P x 2  |  |  |  |  |
| Q x 2  Ø8 x 60 mm | R x 2  Ø5 x 55 mm |  | C  M3.5 x 12 mm | D  M3.5 x 14 mm | E  M3.5 x 14 mm |

Install anti-tip devices



- 
- 
- 
- 



WARRANTY

WARRANTY CLAIMS

- There is a 30-day warranty for broken furniture or any other problems that do not work properly. The warranty will start from the date of purchase which must be verified by proof of purchase.
- Before making a claim, we may be able to answer your query, simply call us. Please leave your purchase order number, along with some details of the problem, if you want a replacement part. We will arrange within 48 hours. If there is out of stock, we will reply with a shipping date.
- The product must be used in accordance with the instructions provided. For health reasons.
- For other reasons, if the furniture needs to be returned, it must be cleaned and dried and operated within 30 days of receipt.

Type of Warranty Claim

- Failure to follow the furniture instructions will invalidate the warranty. Attention please.
- Does not include damage during installation, but includes damage during transportation.

Scope of responsibility

- Shall not bear any responsibility for misuse or user damage and / or loss of parts during the installation of furniture.
- After using, the damage and scratches of the furniture are not covered by the warranty.

The Warranty Relates to All Bought in The Us and Covers The Following Areas

- Sheet parts: 1 month from the date of purchase.
- Electrical parts: 1 month from the date of purchase.

RETURNS

CHANGED YOUR MIND AND NEED TO RETURN YOU ITEM?

PLEASE FOLLOW THE BELOW INSTRUCTIONS:

- If you have purchased and have simply changed your mind, follow the retailer's instructions for returns.

DEFECTIVE ITEMS

- If your item is defective in any way, i.e. it doesn't work but you can't identify why, in the first instance, please call us.

DAMAGED ITEMS

- If you receive an order with obvious shipping damage from the retailer, then we suggest the delivery is refused. If the delivery has been accepted and then shipping damage is found, please follow the specific instructions advised by the retailer.
In all circumstances please save all packaging material and paperwork for the order. Please be aware that if you dispose of packaging material or attempt to return the merchandise without contacting the fulfiller, you jeopardise your chances of making a claim, and you may not receive a credit for the return.