

INSTRUCTION MANUAL

10FT x 12FT Gazebo with Side Walls and Netting C42

IF YOU PURCHASED THE PRODUCT ONLINE AND HAVE ANY
QUESTIONS OR CONCERNS PLEASE
CONTACT US WITH EMAIL OR TEXT

EMAIL: yardsightfurniture@outlook.com

TEXT: +1 323-400-0363

Thank you for your purchase of Gazebo and follow this assembly and operation guide.

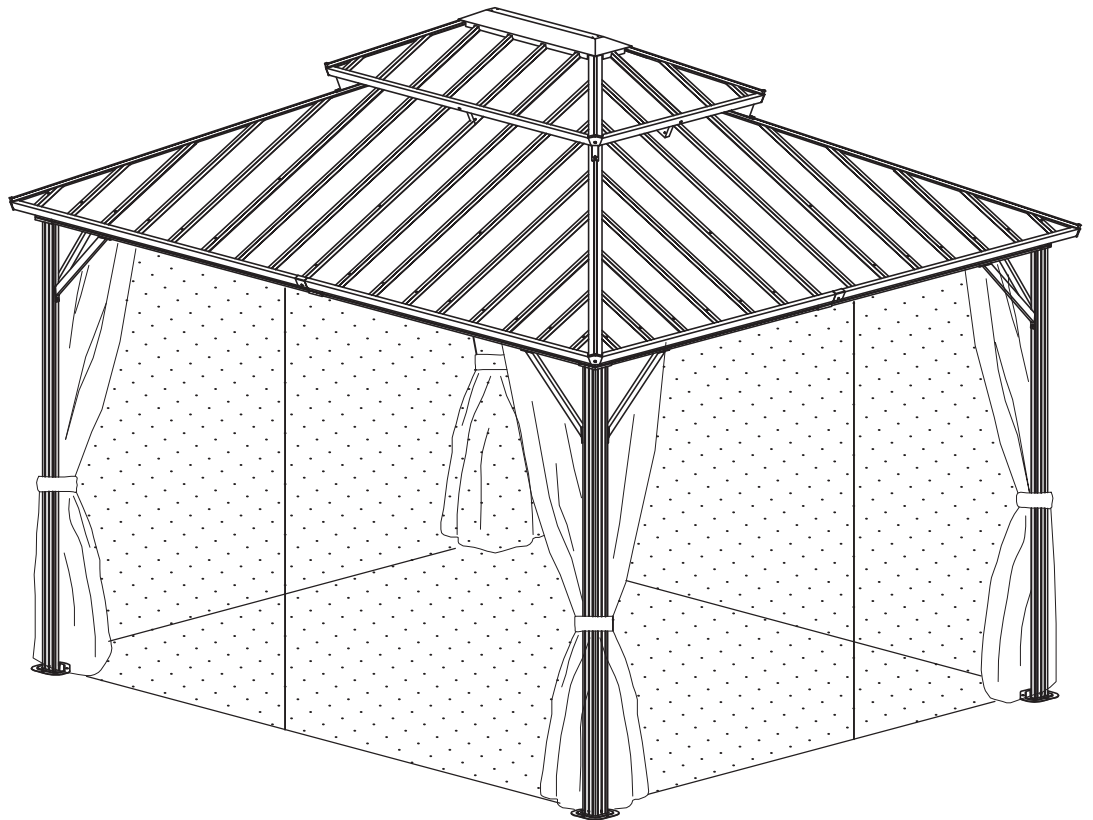
To reduce personal injury and damage to your gazebo, please attach your gazebo curtain to the post when it is incoming over **20 mph** wind.

We recommend a **five-person team** for assembly and disassembly.

If you like our products,
please follow more.

Care and Cleaning

- Wash frame parts and fabric with mild soap and water, rinse thoroughly.
- Dry the frame completely and allow the fabric to drip dry.
- Do not use bleach, acid, or other solvents on the fabric or frame parts.
- Please inspect and tighten all bolts or fasteners on a regular basis to ensure the proper performance and safety of your gazebo.



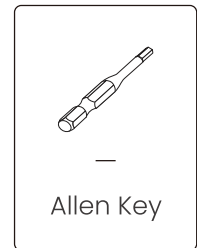
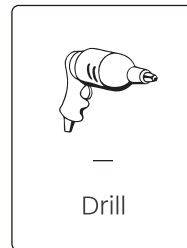
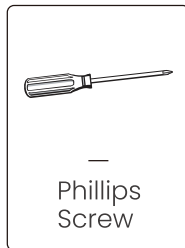
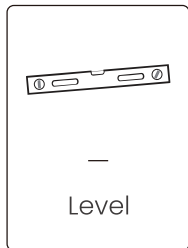
Warnings and Cautions

- Please retain this instruction for future usage and read carefully before assembly.
- Make sure you have all the parts & hardware as the item list shows.
- 5 adults or more are recommended to install your gazebo.
- Do not discard any of the packaging until you have checked that you have all the parts and pack of fittings.
- Check all bolts for tightness before use, and periodically check and tighten bolts to ensure your gazebo works properly.
- Some parts might have sharp edges/corners. Please follow basic safety precautions to reduce the risk of hurt.
- It is essential to place the gazebo on level ground and not less than 6 feet from any obstruction such as fences, garages, the house, overhanging branches, laundry lines, or electrical wires.
- Lastly, be careful the parts are not swallowed by pets and kids.

Pre-assembly

TOOLS THAT MAY BE REQUIRED (NOT included in the boxes)

*NOTE: Tools / equipment are not shown to actual size and scale



EQUIPMENT REQUIRED (NOT included in the boxes)

*NOTE: Equipment are not shown to actual size and scale



Matters needing attention



Five or more people are required for assembly.



Do not fully tighten screws prior to complete assembly.

Warranty

One Year Warranty

Frames

Frames constructions are warranted to be free from defects in material and workmanship for 1 year from item purchased. Damage to frame from negligence won't be covered by this warranty.

Bolts & nuts

Bolts and nuts are warranted to be free from defects in material and workmanship for 1 year from item purchased. Damage from exposure to chemicals (including not only oils, spills, fluids) won't be covered by this warranty.

Curtains & Netting

Curtains and netting are warranted to be free from defects in material and workmanship for 1 year from item purchased. Damage from exposure to chemicals (including but not only oils, spills, fluids) won't be covered by this warranty.

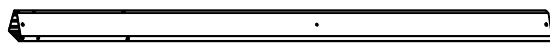
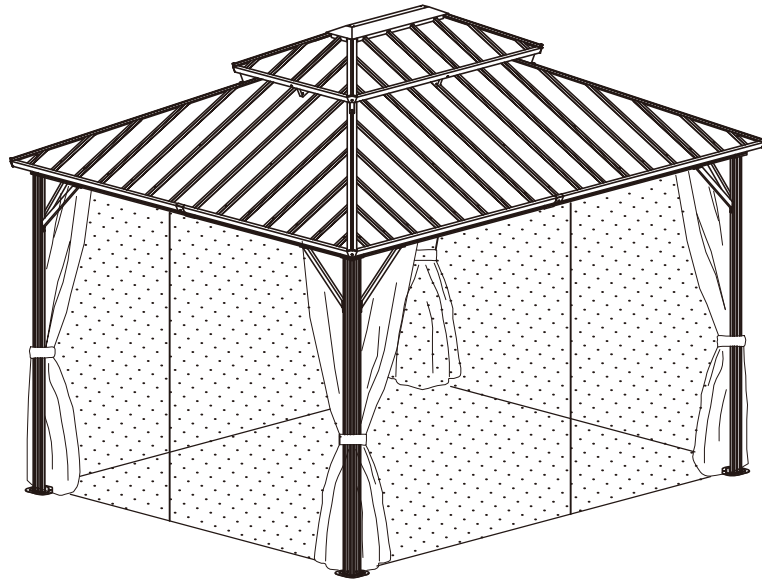
Warranty Limitation

This warranty is for the original purchase order only. (Order number required). This warranty is non-transferable.

Carton-1/3		Carton-1/3		Carton-3/3	
Part	Qty	Part	Qty	Part	Qty
A8	4	Y	68	W9	2
D16	2	U1	104	W10	2
D17	2	Z	48	D8	4
D15	4	Z1	16	I1	2
D19	4	Z2	8	I9	2
C1	2			G1	2
C2	2			V1	2
W11	2			V6	2
W12	2			T	4
C13	2	Carton-2/3		T1	4
C14	2	Part	Qty	1.2.3.4.5.6.7.8.9.10. 11.12.13.14.15.16	1
G9	2	X1	4		
F6	2	X2	4		
F7	2	X13	4		
F9	2	X14	4		
F10	2	X15	2		
O	8	X16	2		
J	4	X17	2		
K1	4	S1	4		
K2	4	S2	4		
V	4	S3	2		
Q1	4				
Q5	8				
Q6	4				
N	12				
N1	4				
L6	1				
M2	1				
P1	4				

Attention:

1. Please do not fully tighten all the screws prior to complete assembly.
2. Please check the manual carefully and make sure you have received all the parts.
3. If there is any missing, please let us know the parts with the part number you need.
4. If there is any damage, please send clear photos to us, we will check and offer you best solution soon.



(A8) 4x



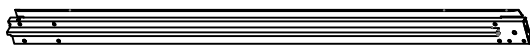
(W9) 2x



(W10) 2x



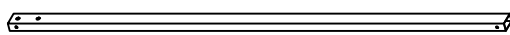
(W11) 2x



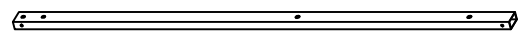
(W12) 2x



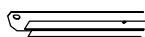
(D19) 4x



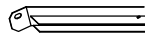
(D16) 2x



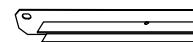
(D17) 2x



(C13) 2x



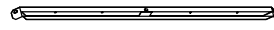
(C14) 2x



(C1) 2x



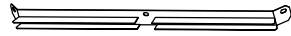
C2 2x



G1 2x



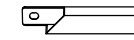
G9 2x



I1 2x



I9 2x



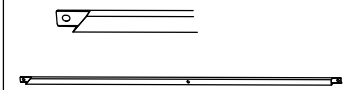
F6 2x



F7 2x



F9 2x



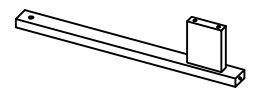
F10 2x



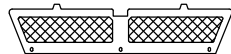
O 8x



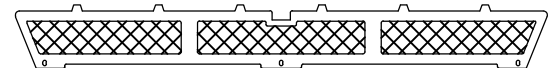
D8 4x



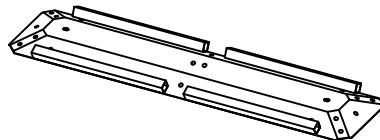
D15 4x



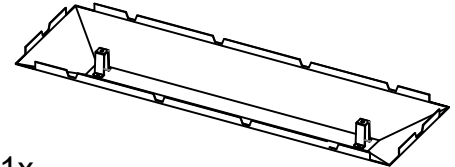
V1 2x



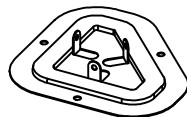
V6 2x



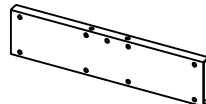
L6 1x



M2 1x



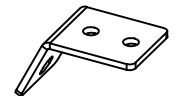
J 4x



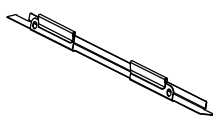
P1 4x



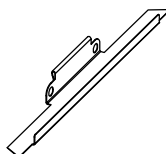
V 4x



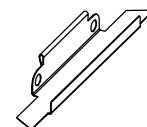
Q1 4x



Z 48x





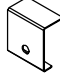
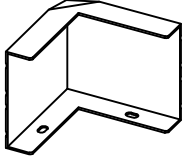
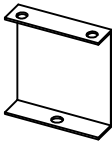
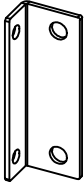
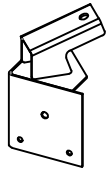
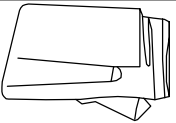
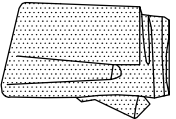
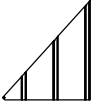
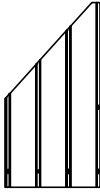

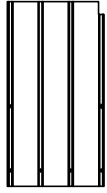
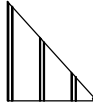
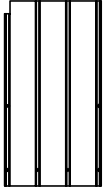
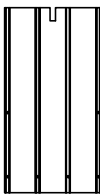
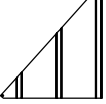
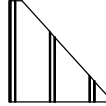
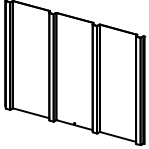






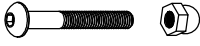
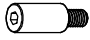


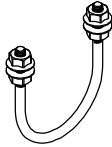


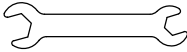

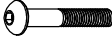
Z1 16x



Z2 8x



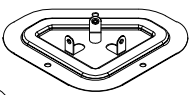
Y 68x

 U1 104x	 N 12x	 N1 4x	 K1 4x
 K2 4x	 Q5 8x	 Q6 4x	 T 4x  T1 4x
 X1 4x	 X13 4x	 X14 4x	 X15 2x
 X2 4x			
 X16 2x	 X17 2x	 S1 4x  S2 4x	 S3 2x
 M6x15 1 144x	 M6x23 2 60x	 M6x25 3 4x	 ST 4.8x12 4 8x
 5 2x	 M5x12 6 8x	 M6x45 7 8x	 8 16x
 M6x10 9 8x	 10 12x	 11 1x	 4mm 12 2x
 M6x10 13 12x	 14	 M5x15 15 16x	 M6x35 16 8x

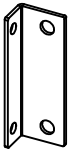
<1>



A8 4x



J 4x



Q5 8x



Q6 4x



M6x15

1 12x



M5x12

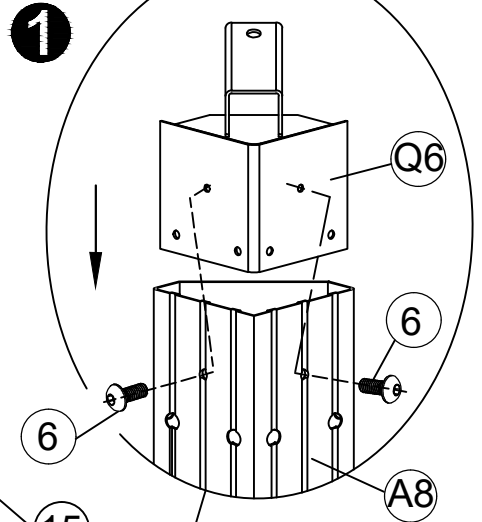
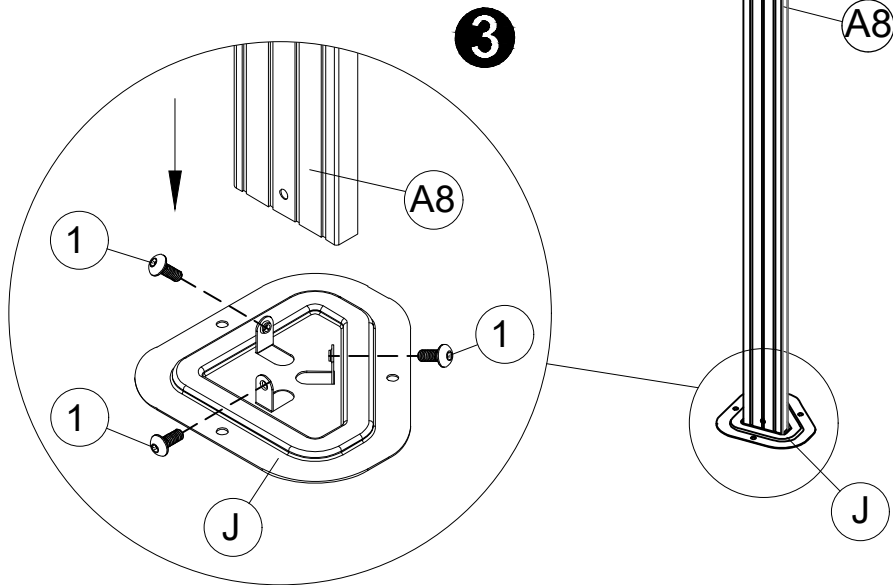
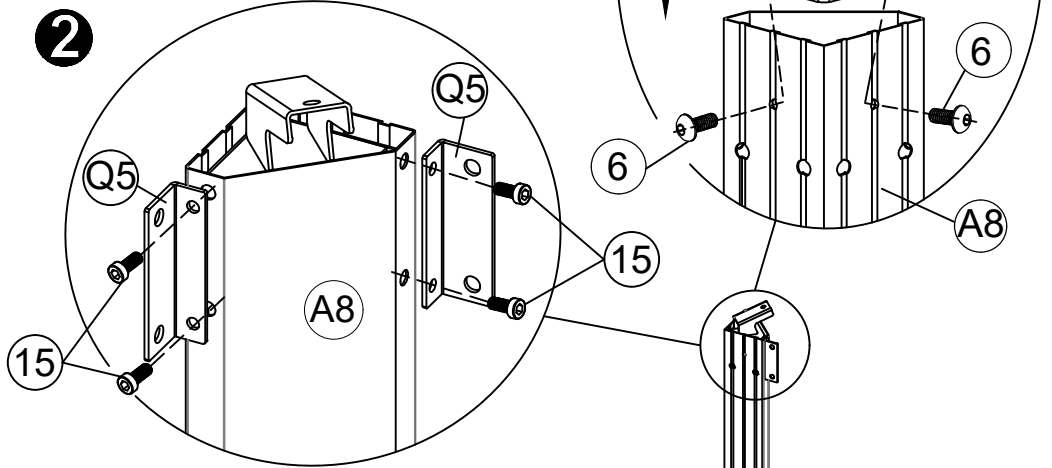
6 8x



M5x15

15 16x

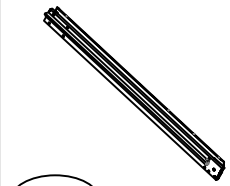
11



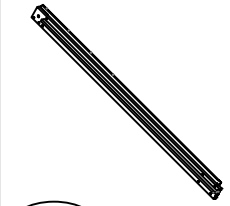
<2>



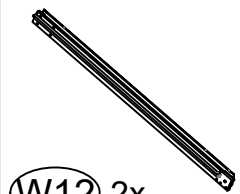
W9 2x



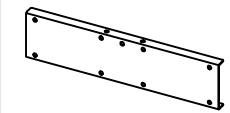
W10 2x



W11 2x



W12 2x

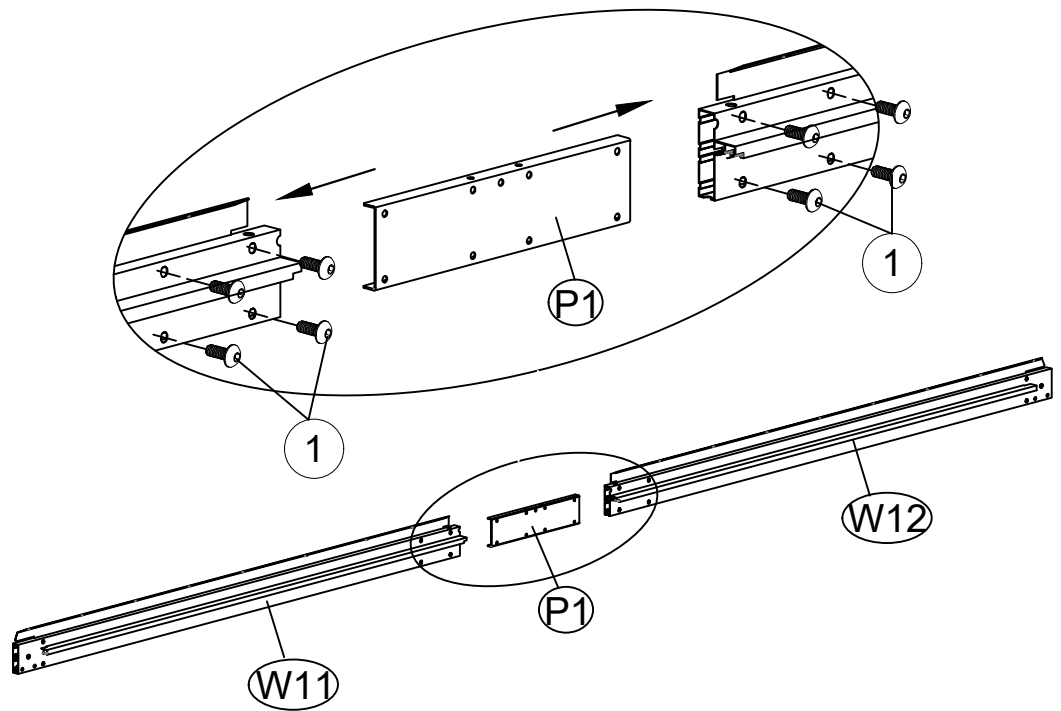
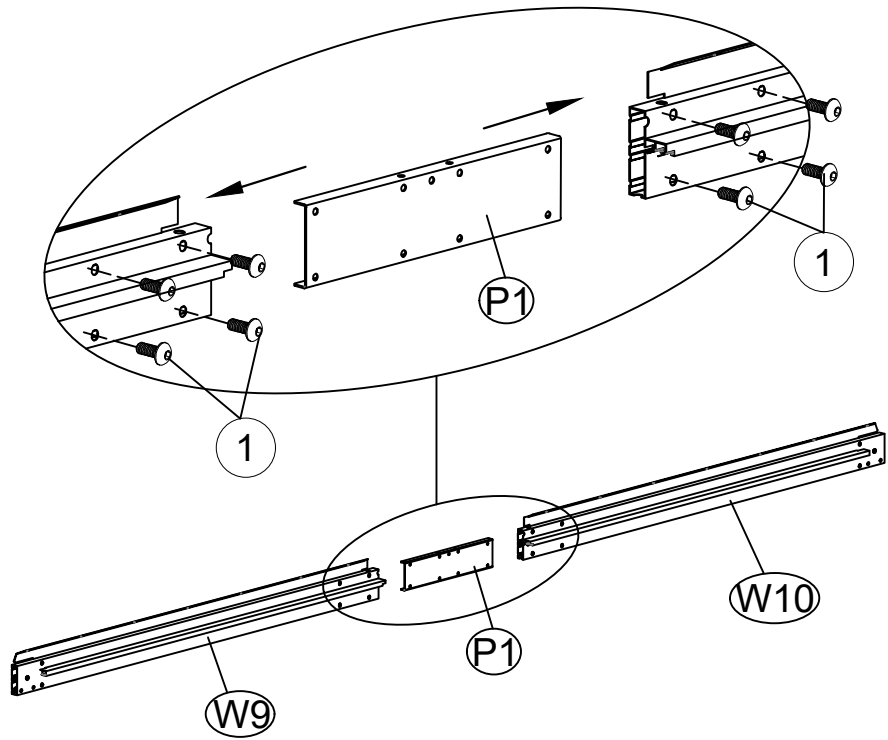


P1 4x



M6x15

1 32x



<3>

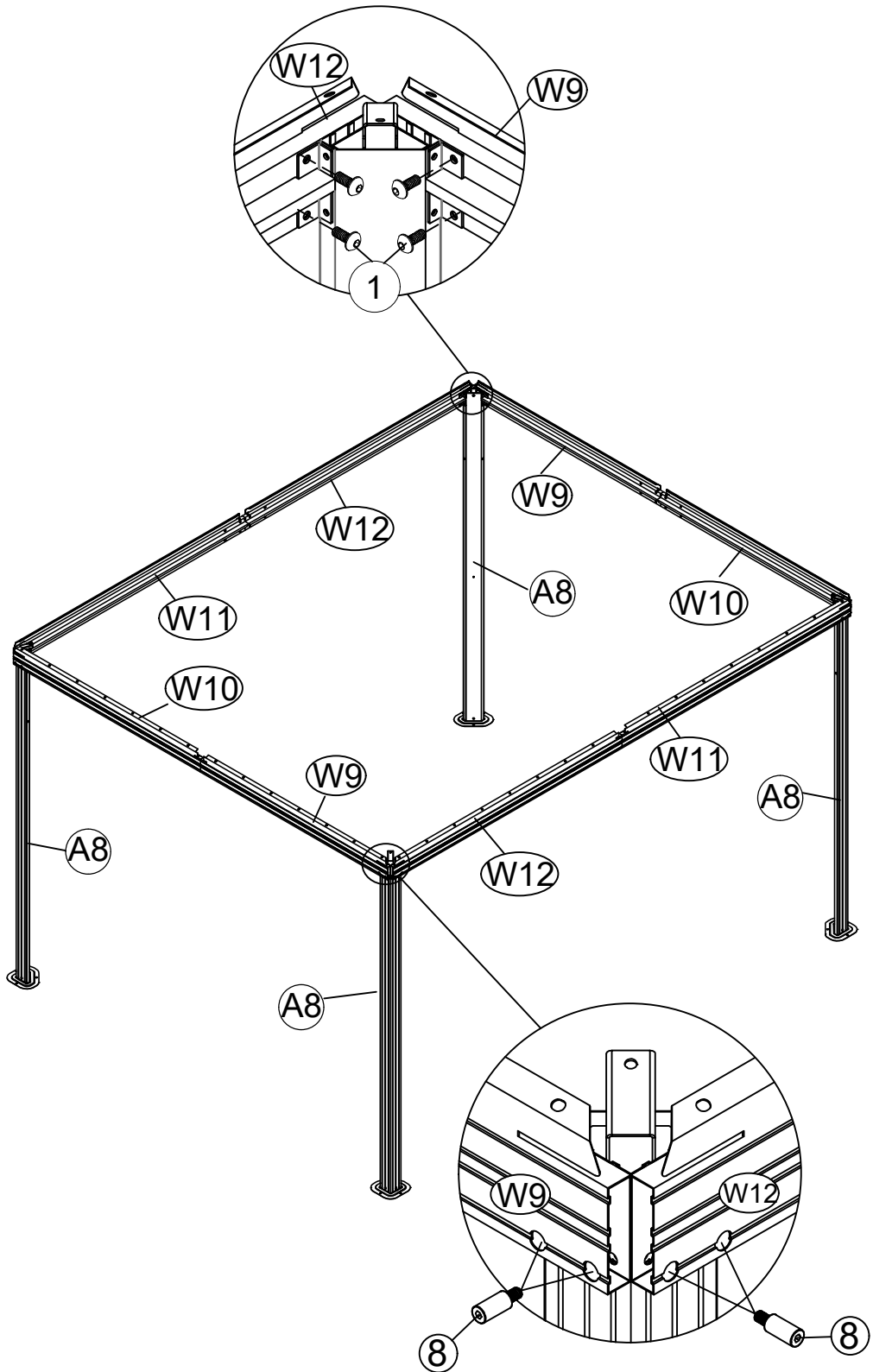


8 16x



M6x15

1 16x





○ 8x



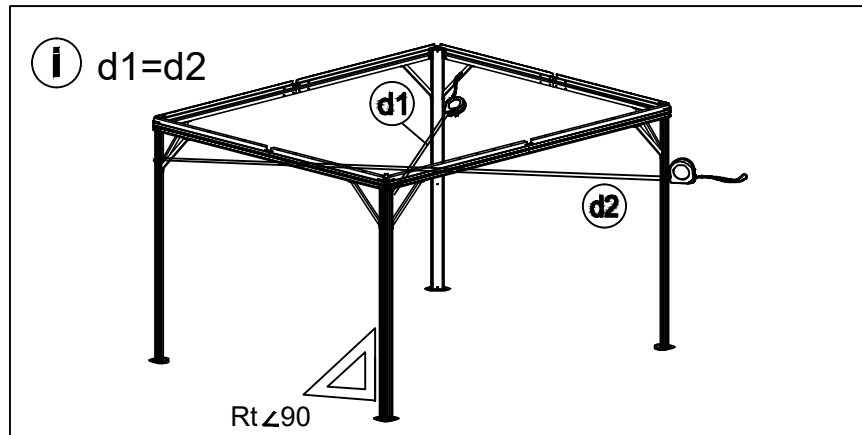
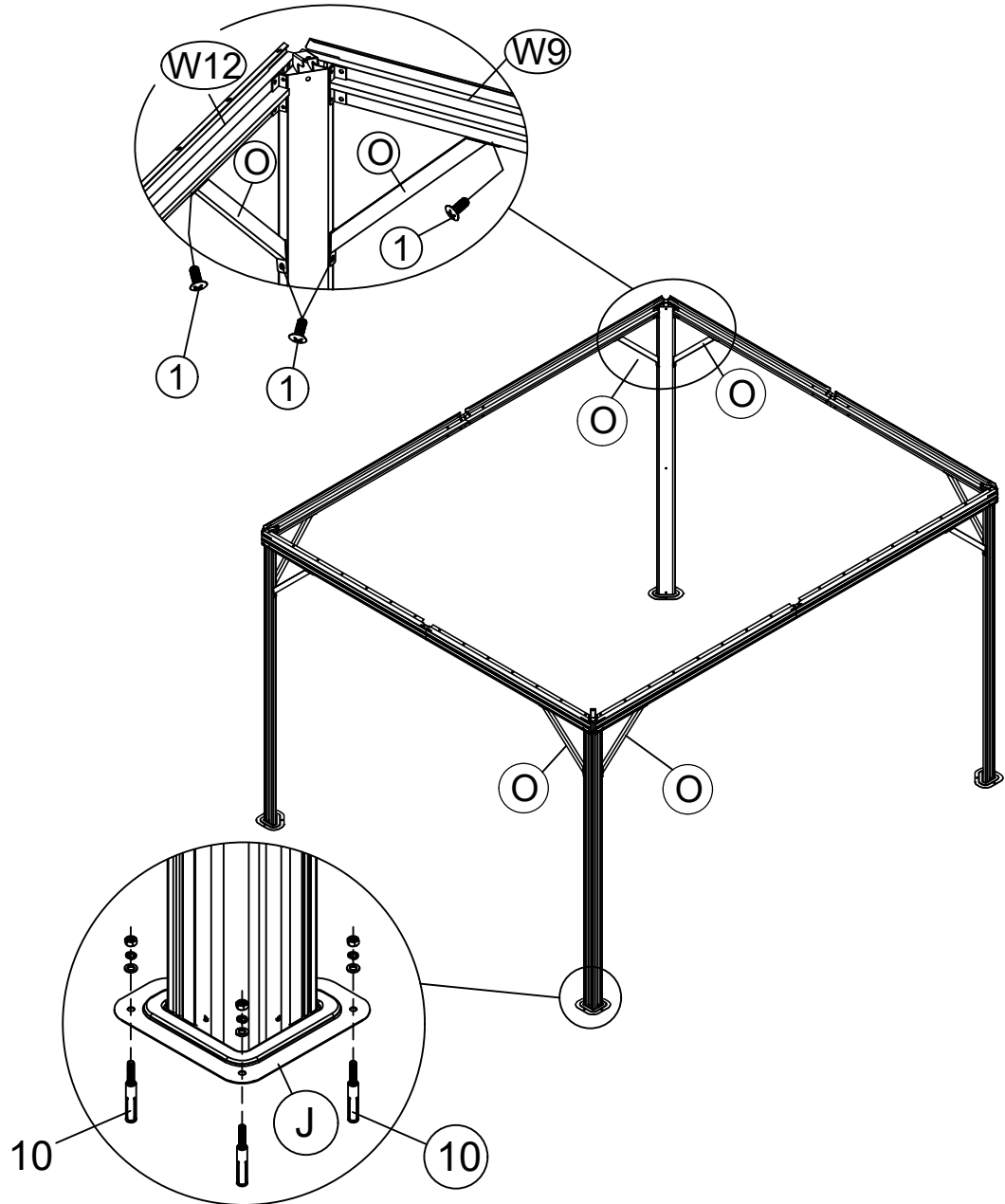
M6x15

① 16x

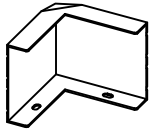


⑩ 12x

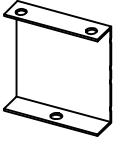
<4>



Tips: Please measure to make sure the length of d1 is equal to d2 before moving to next step to ensure a square frame and best results. Keep the beam at right angles to the post, the post at right angles to the ground, and keep the beam horizontal.



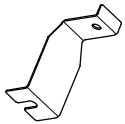
(K1) 4x



(K2) 4x



(U1) 104x



(V) 4x



M6x10

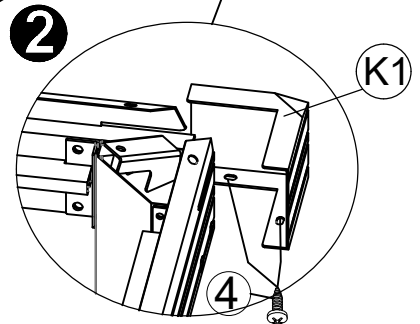
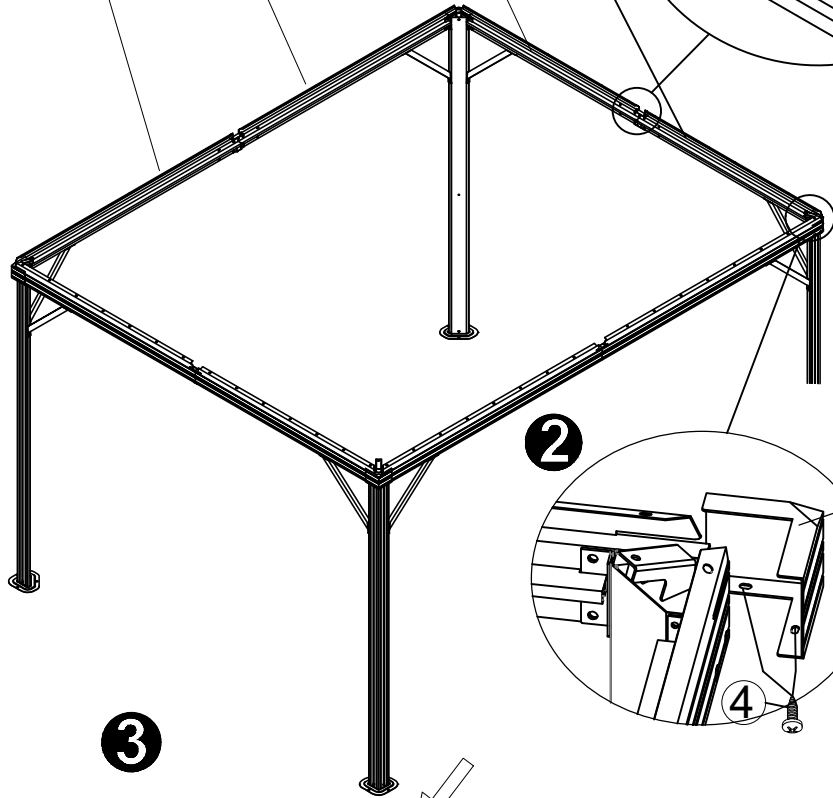
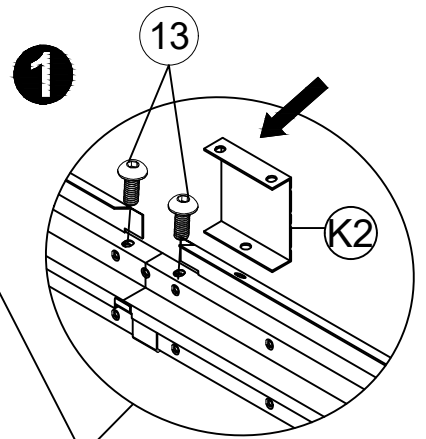
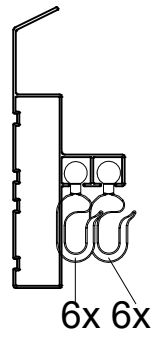
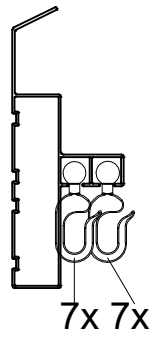
(13) 12x



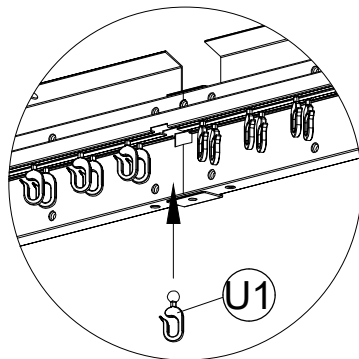
ST4.8x12

(4) 8x

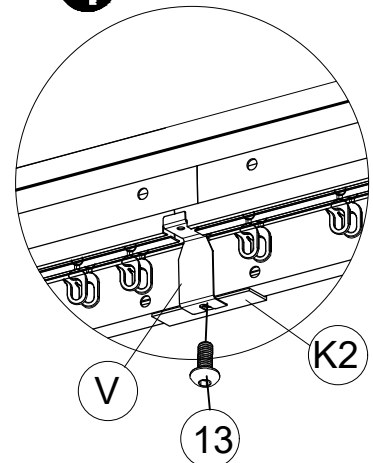
<5>

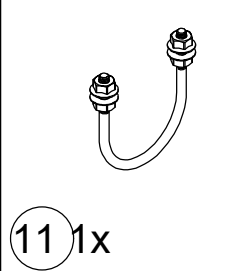
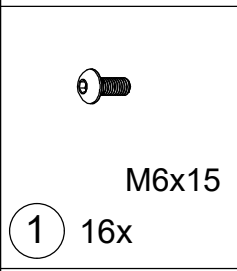
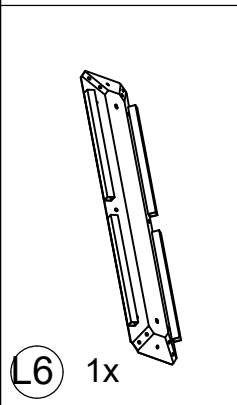
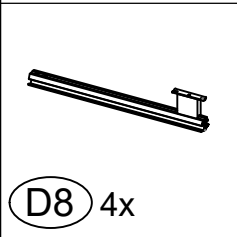
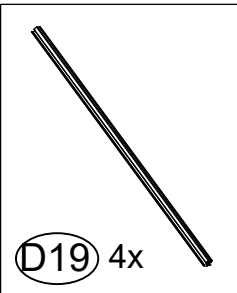


3

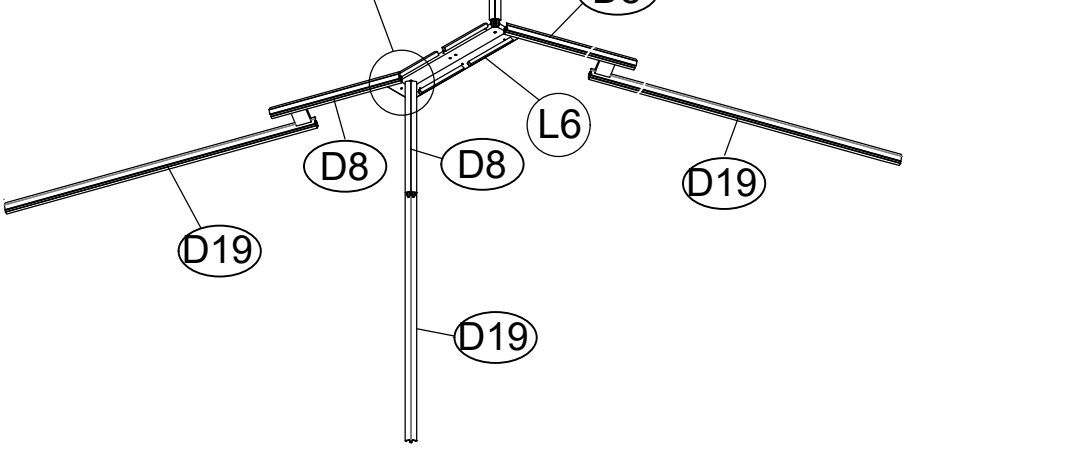
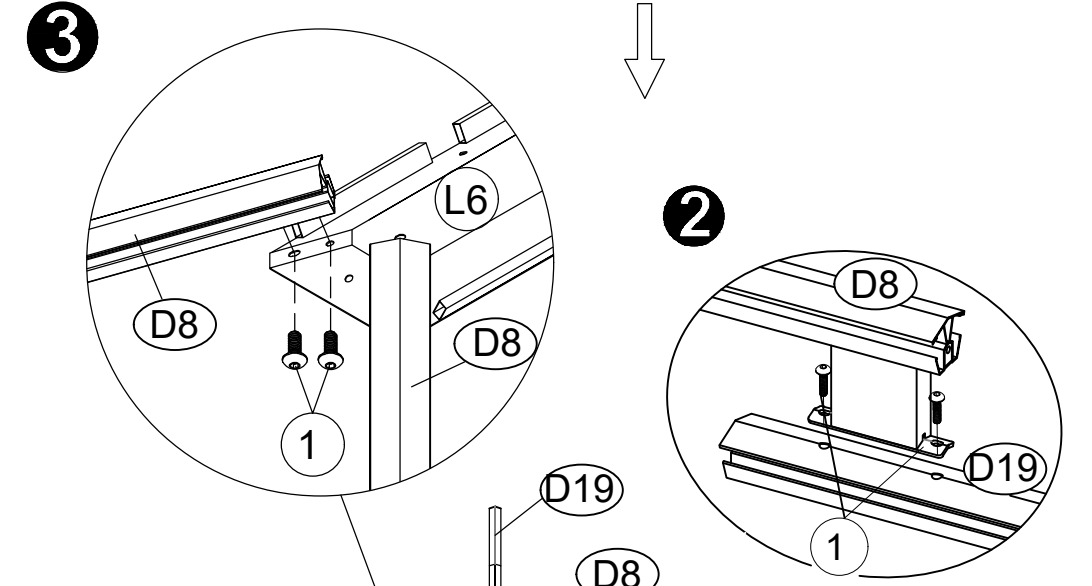
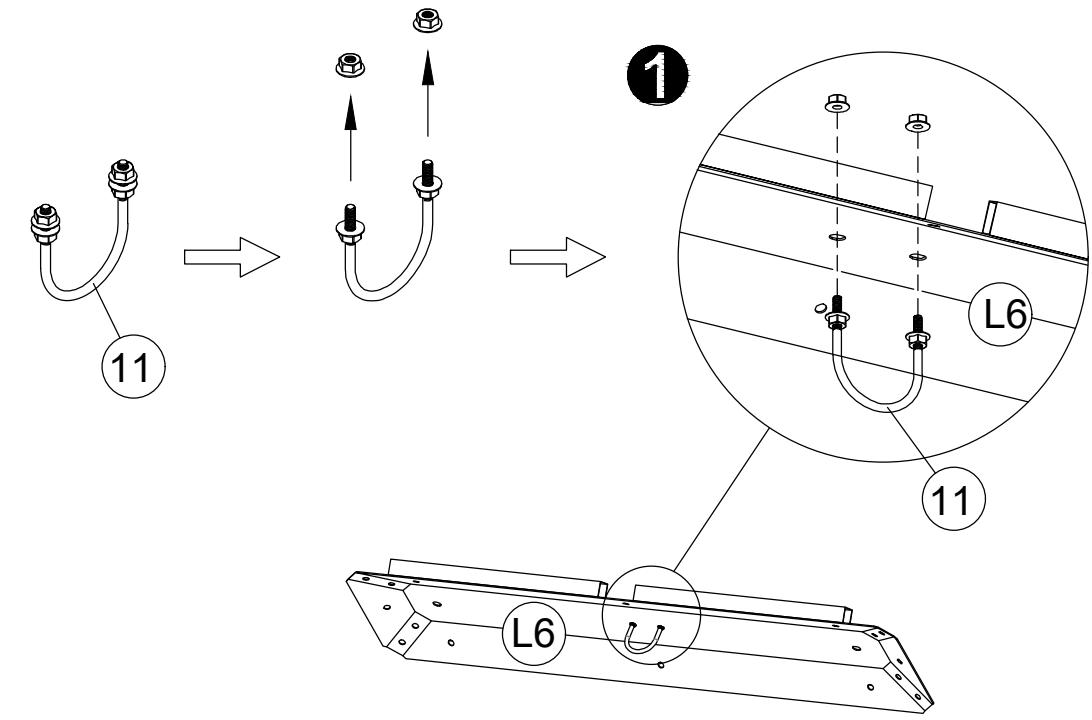


4





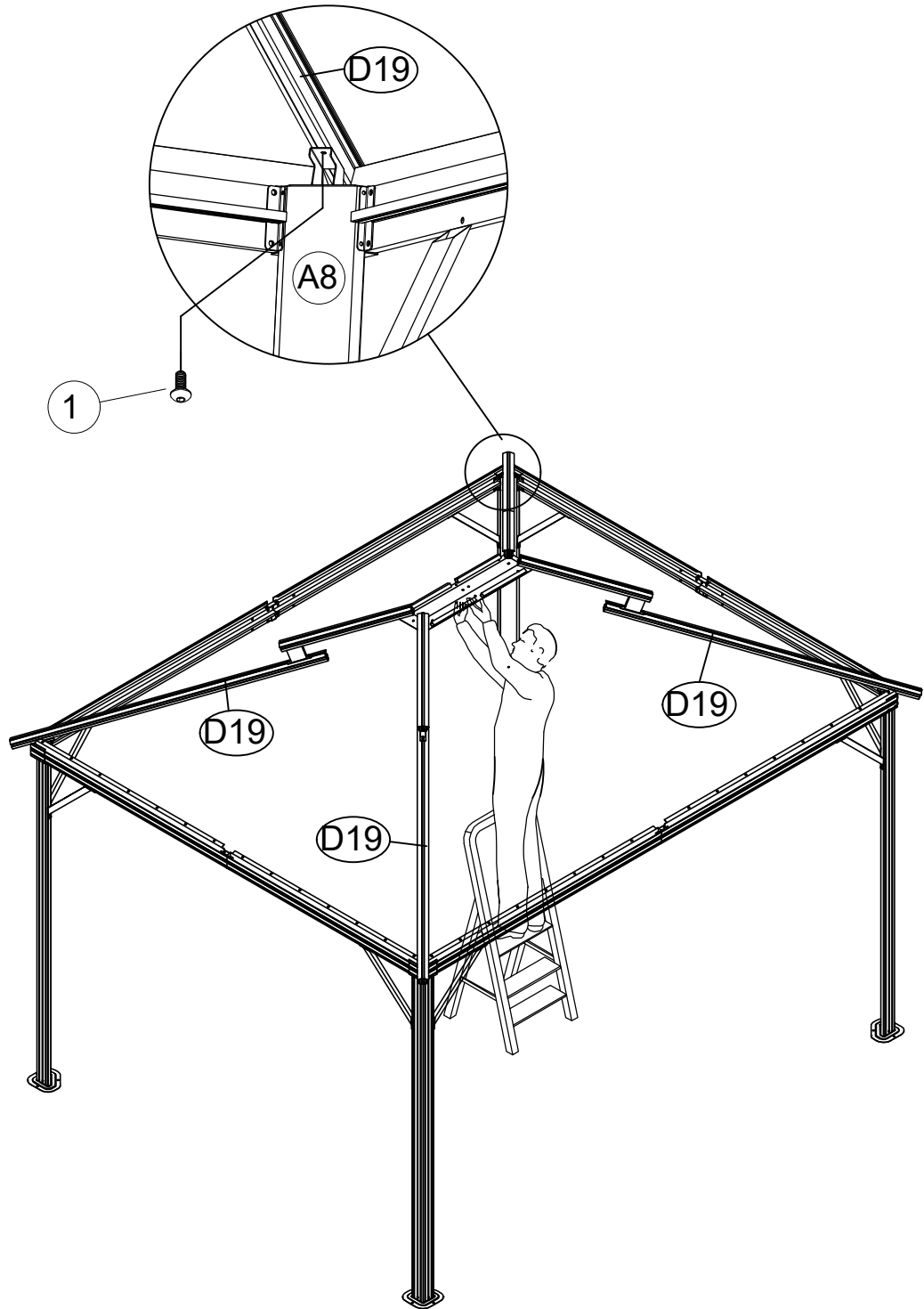
<6>





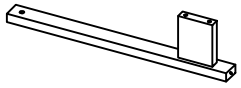
<7>

1 M6x15
4x

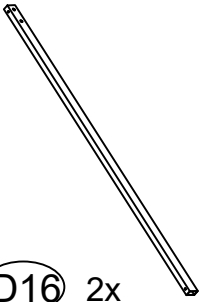


Note:

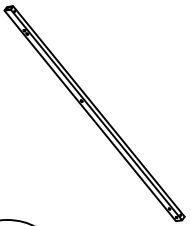
1. Let one person stand on the ladder to lift "L6" and hold and let others fasten the screws connecting both ends of "D19".
2. Please do not let go of holding "L6" until all the "D19" screws are installed.



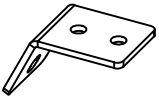
D15 4x



D16 2x



D17 2x

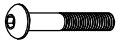


Q1 4x



M6x15

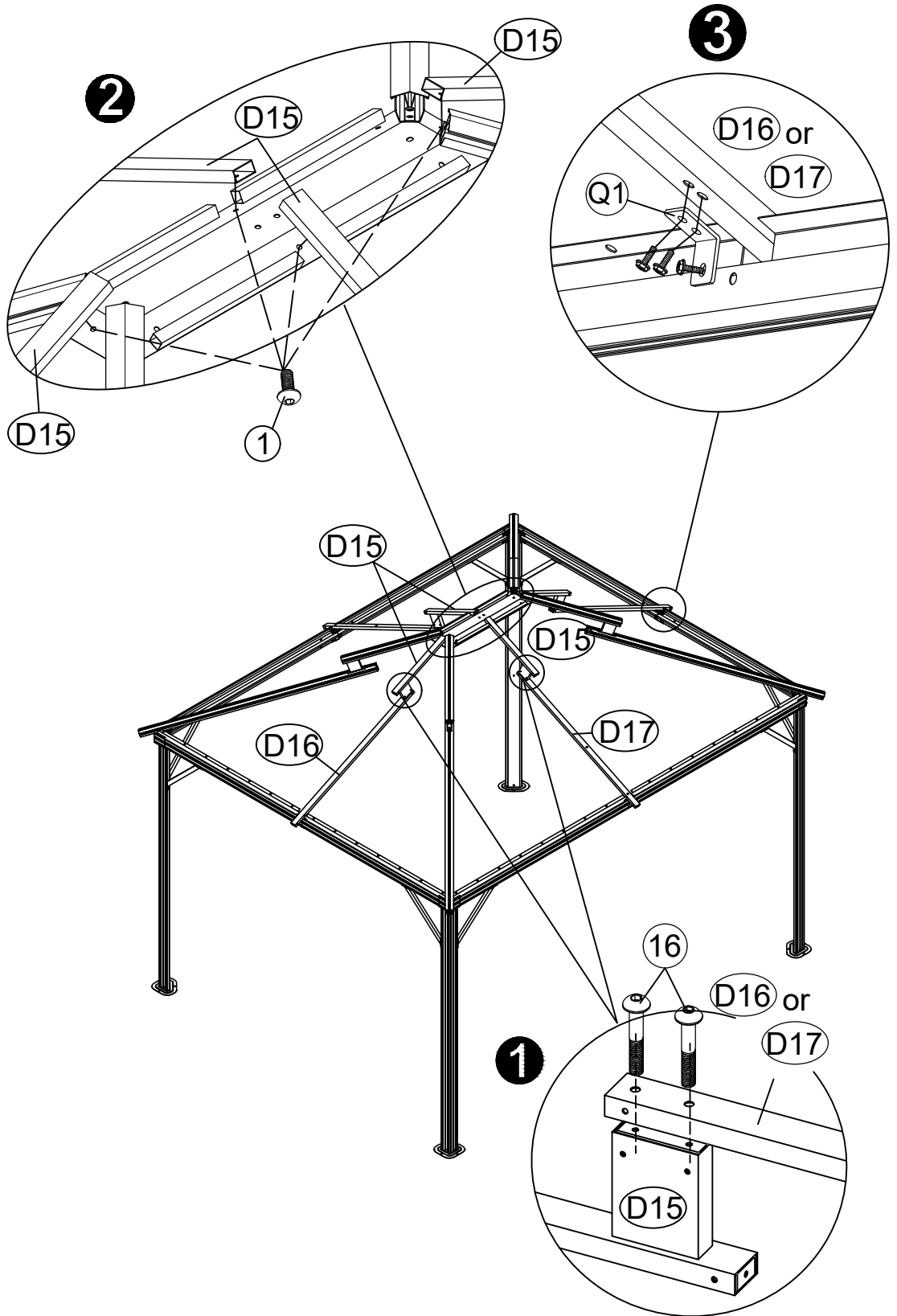
1 16x



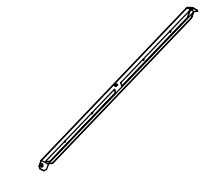
M6x35

16 8x

<8>



<9>



G1 2x



G9 2x

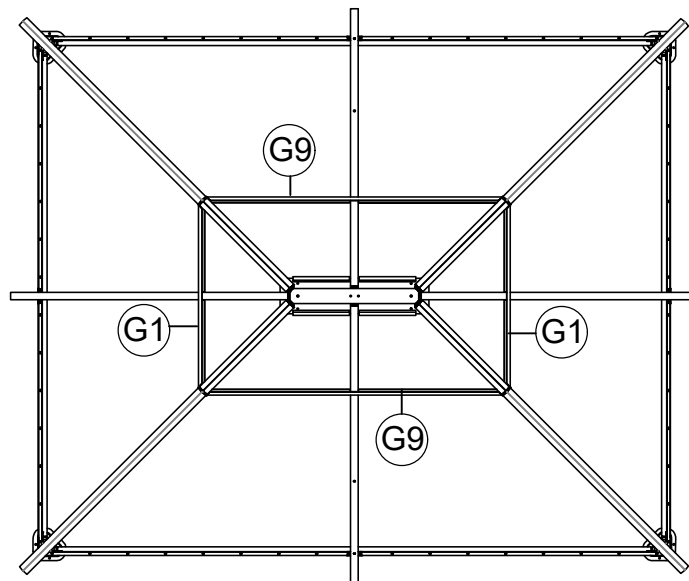
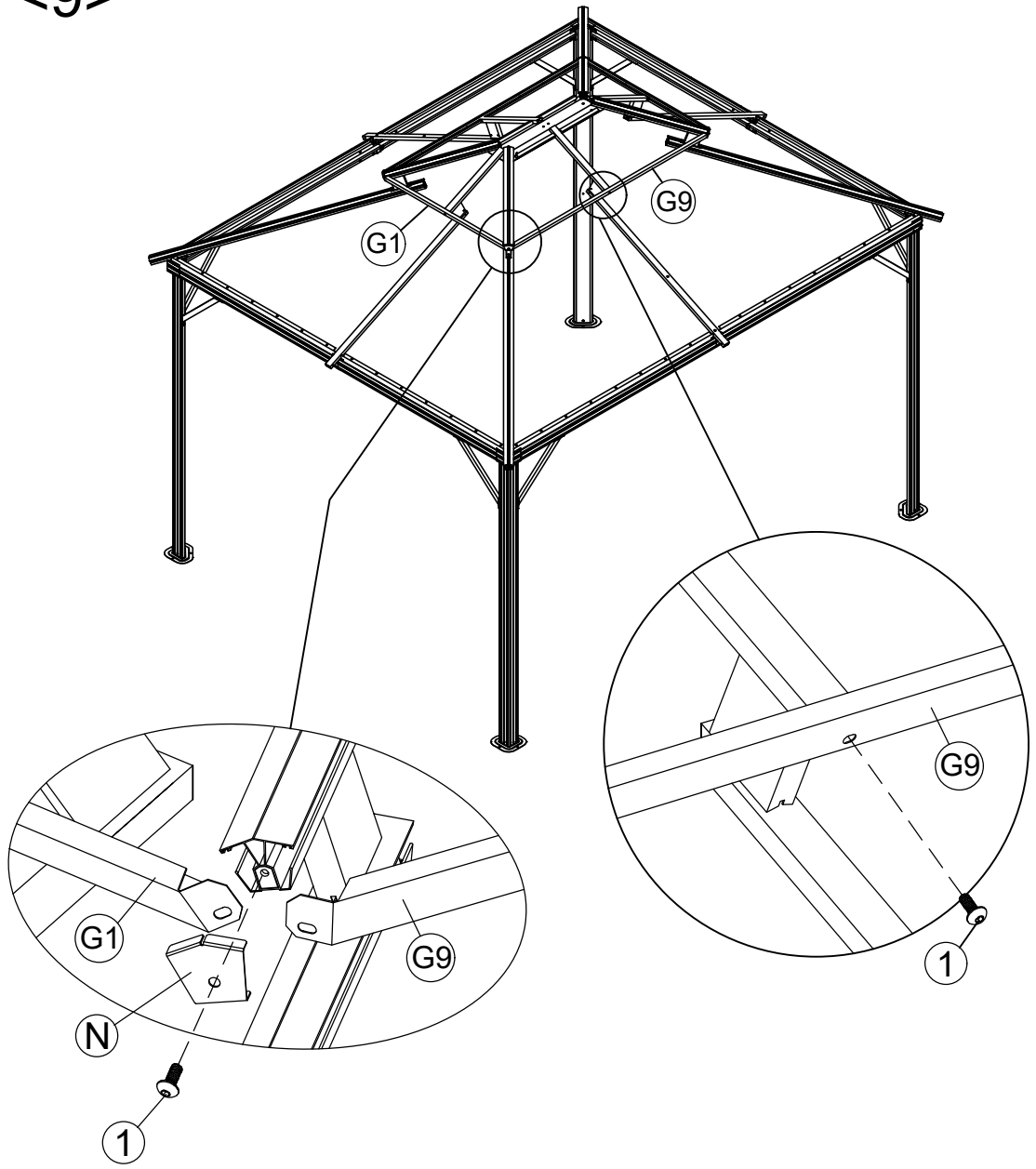


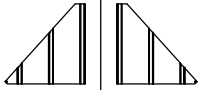
N 4x



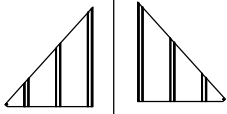
M6x15

1 8x

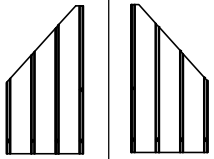




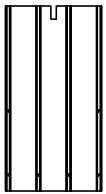
S1 2x S2 2x



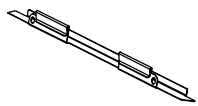
X1 2x X2 2x



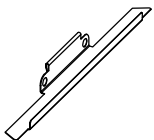
X13 2x X14 2x



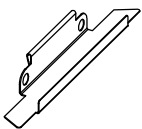
X17 2x



Z 24x

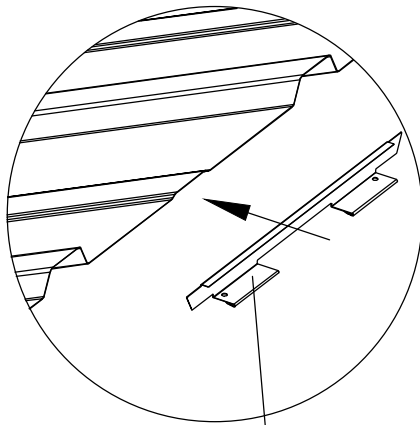


Z1 8x

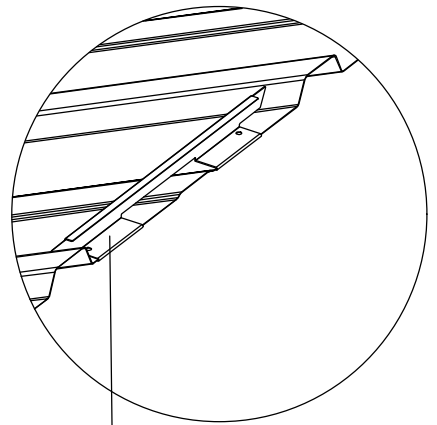
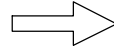


Z2 4x

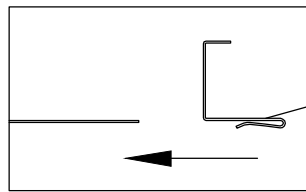
<10>



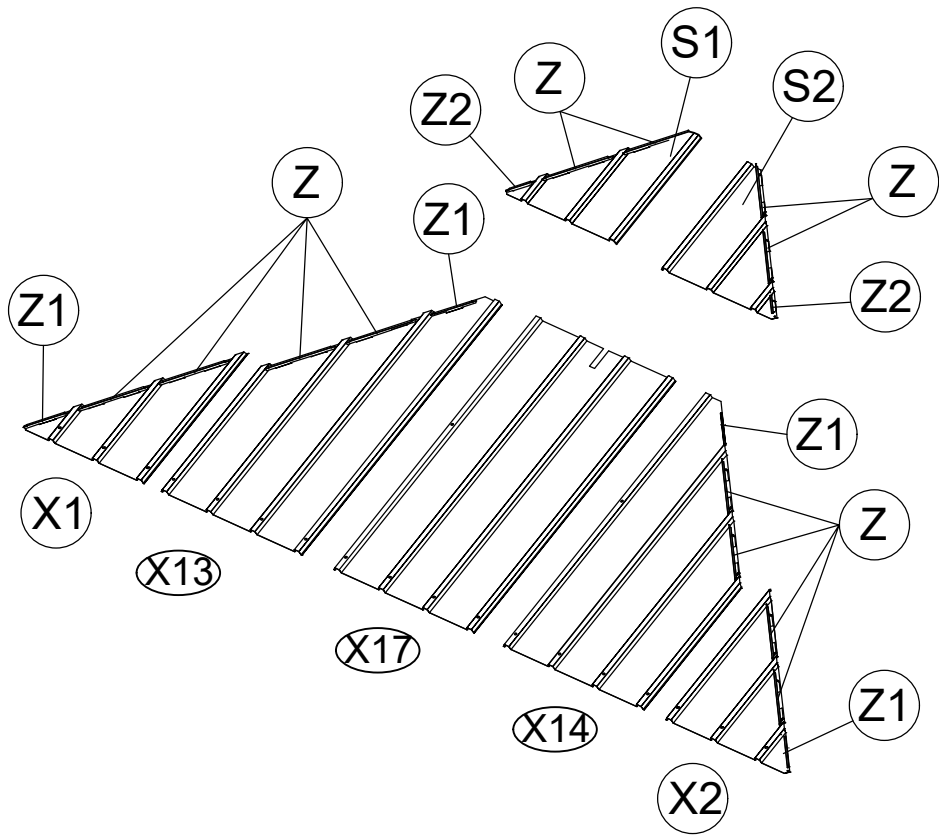
Z or Z1 or Z2



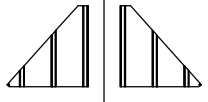
Z or Z1 or Z2



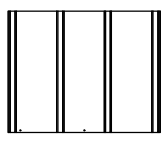
Z or Z1 or Z2



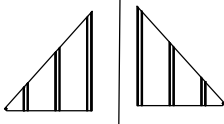
<11>



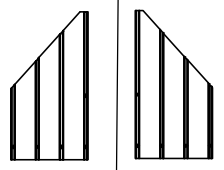
S1 2x S2 2x



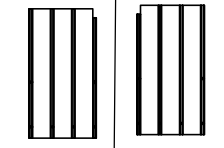
S3 2x



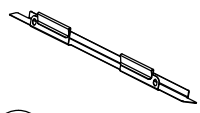
X1 2x X2 2x



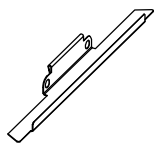
X13 2x X14 2x



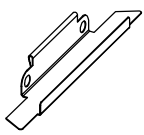
X15 2x X16 2x



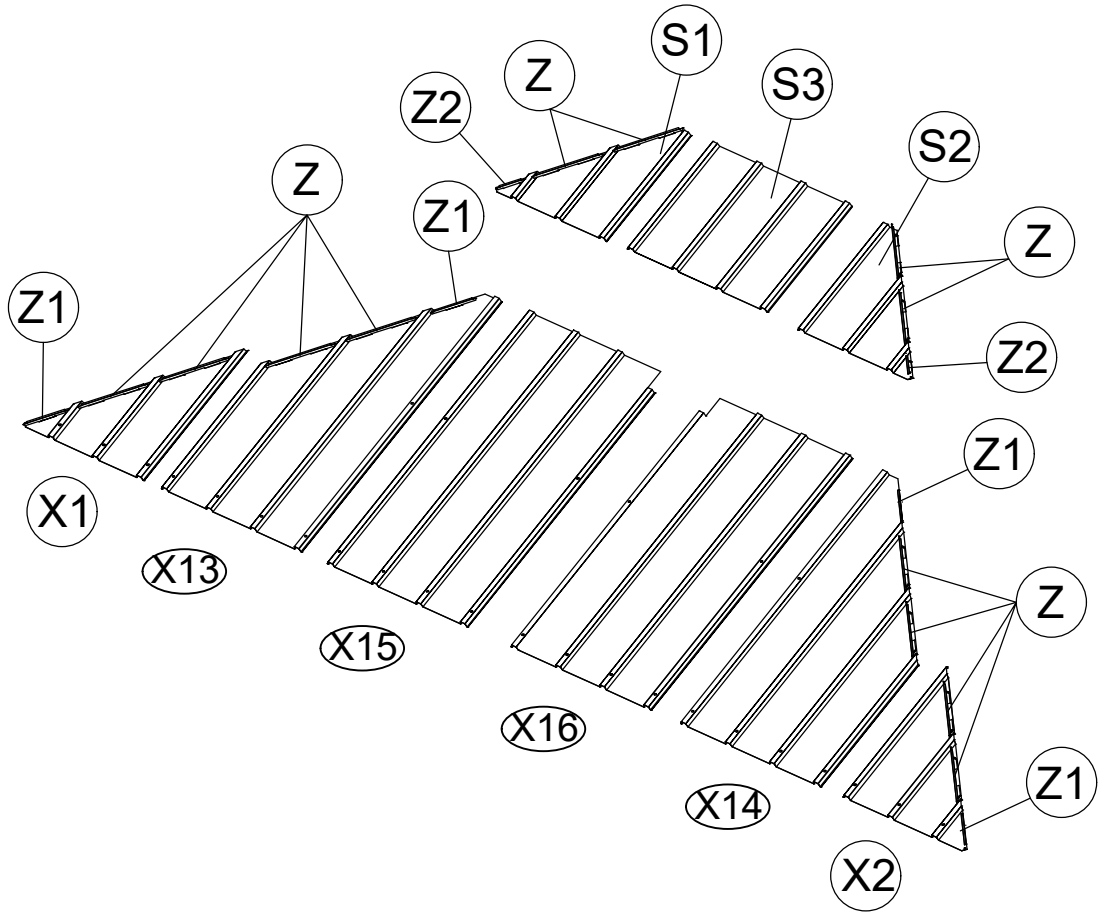
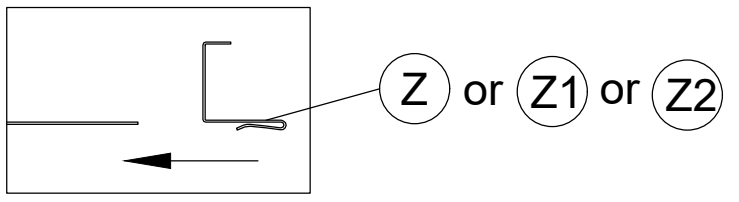
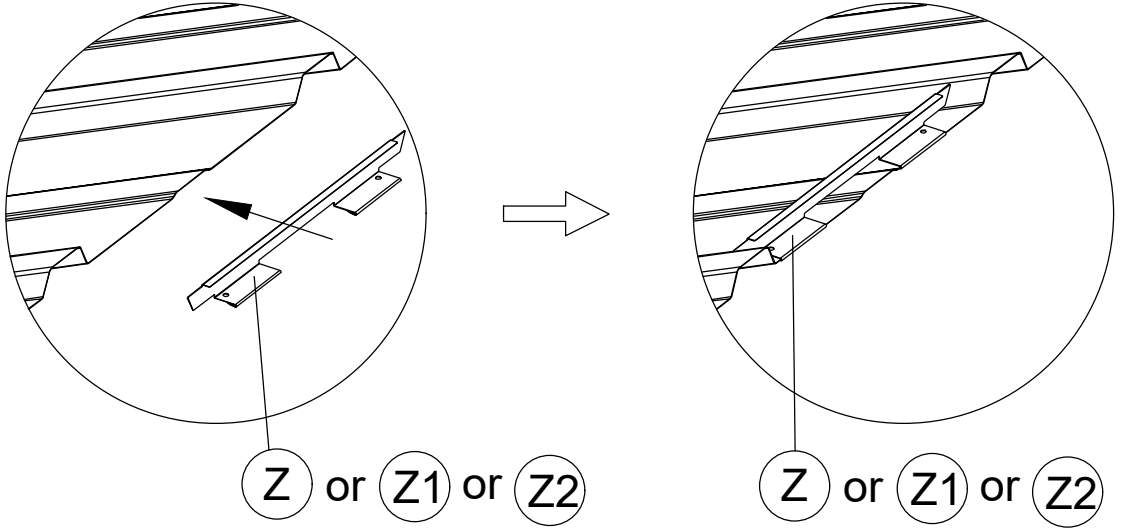
Z 24x



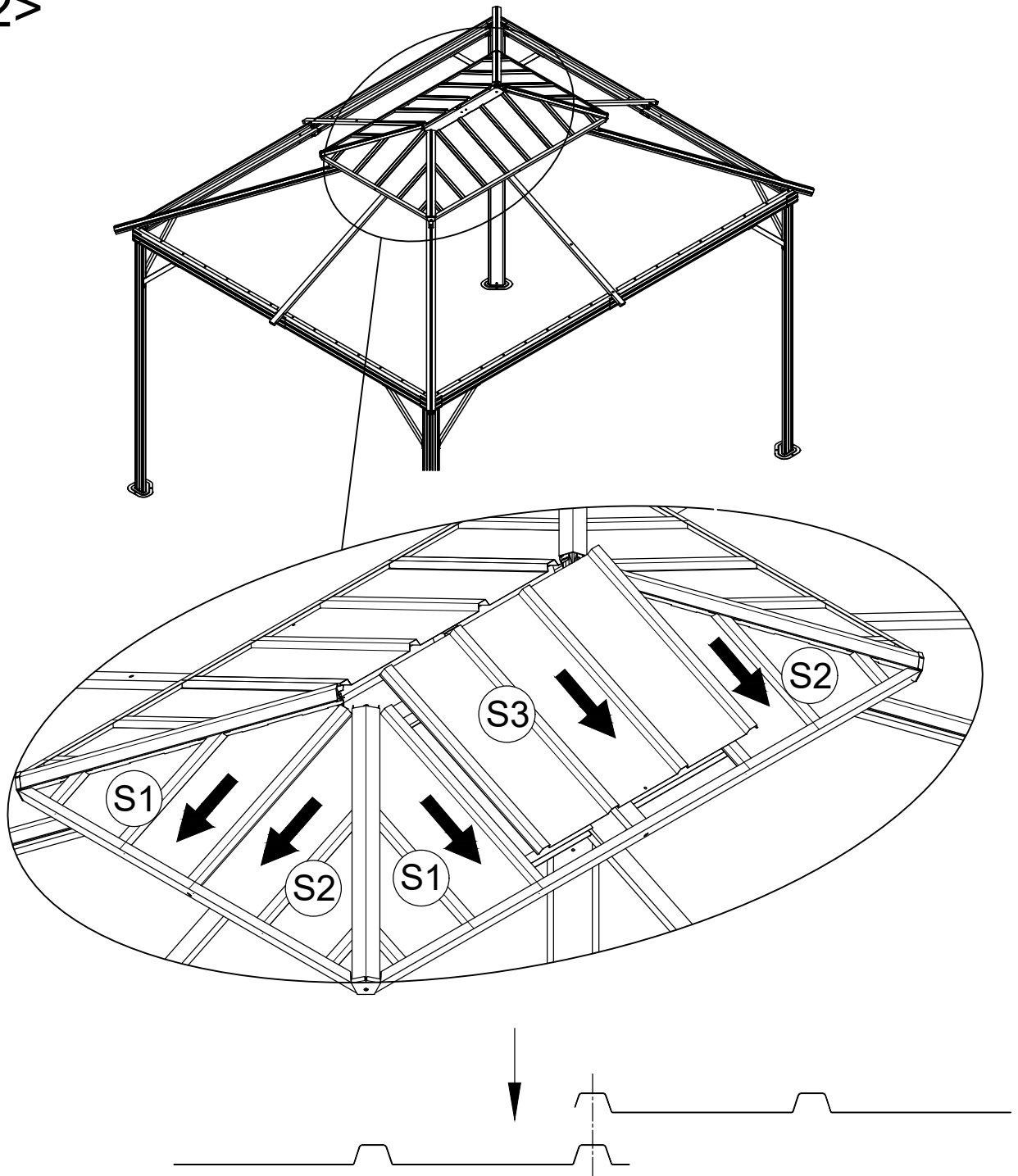
Z1 8x



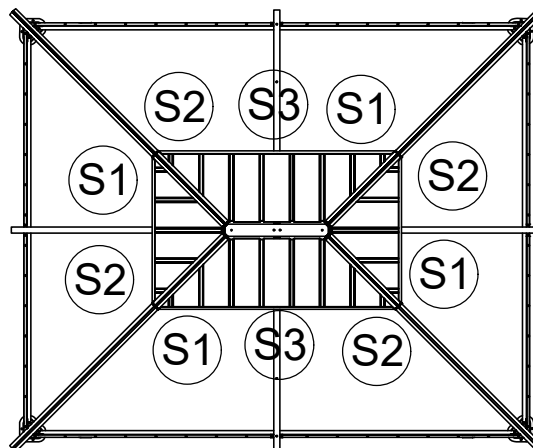
Z2 4x



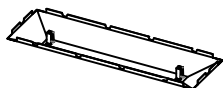
<12>



When installing the Roof plates (S2) onto short side, pls detach the right end of Roof Rib(G1) first. And then install the right end of Roof Rib (G1) again after S2 is installed.



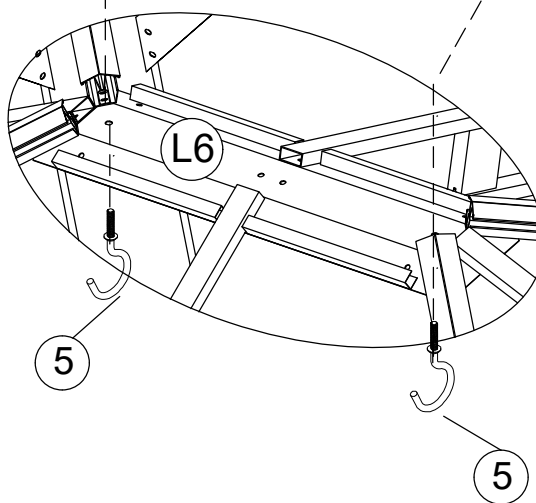
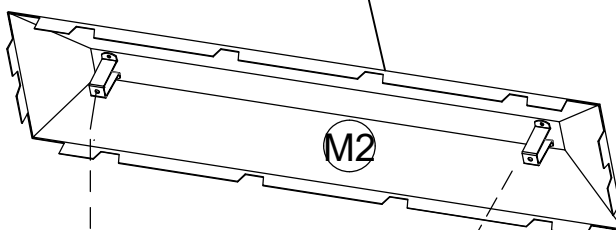
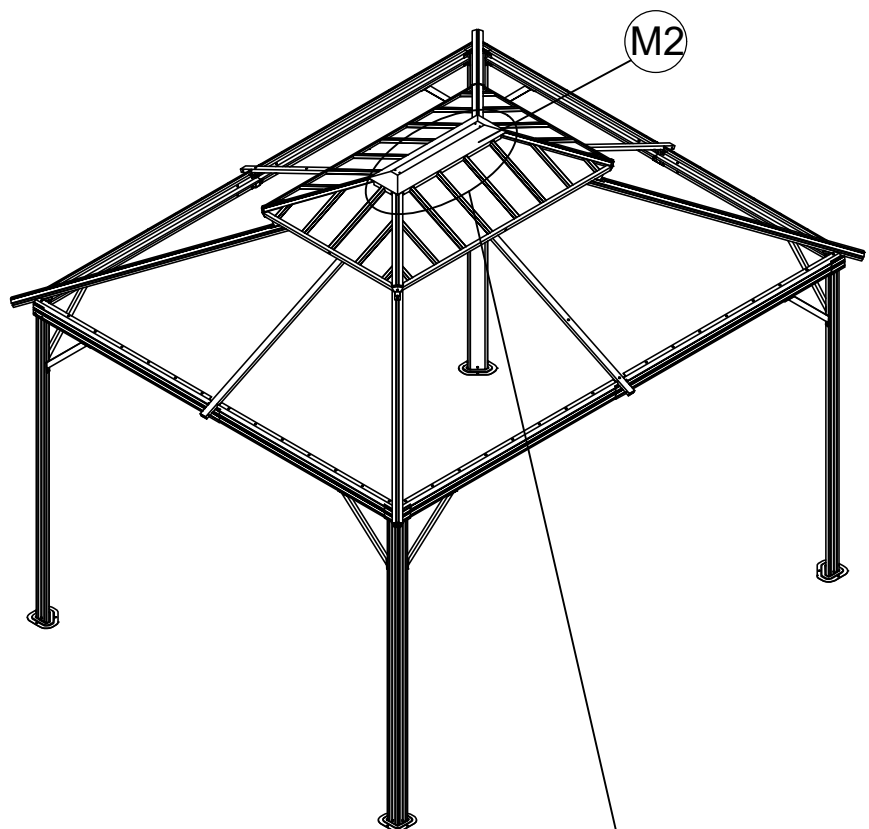
<13>



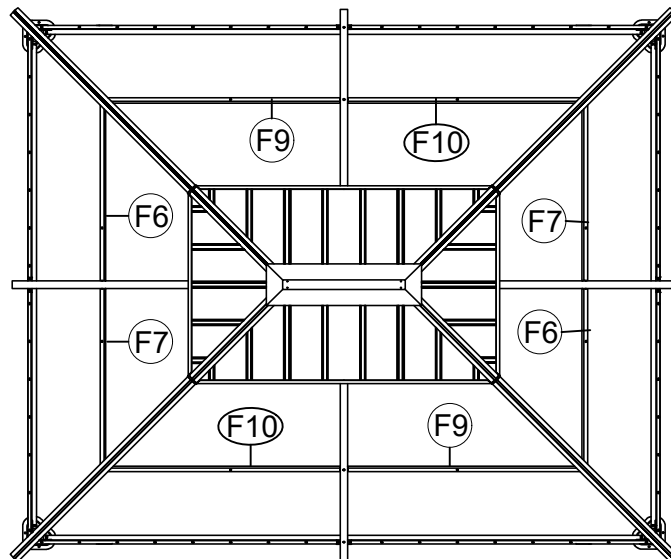
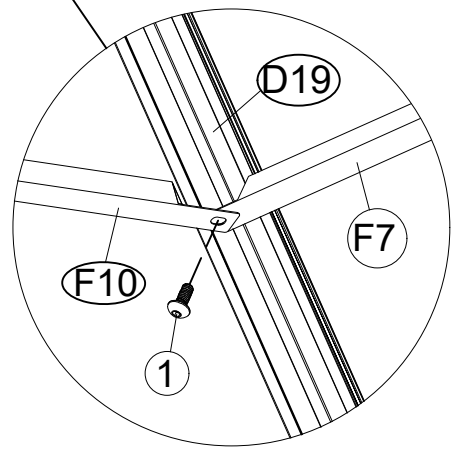
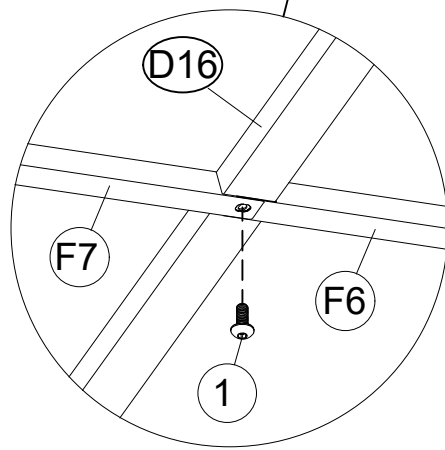
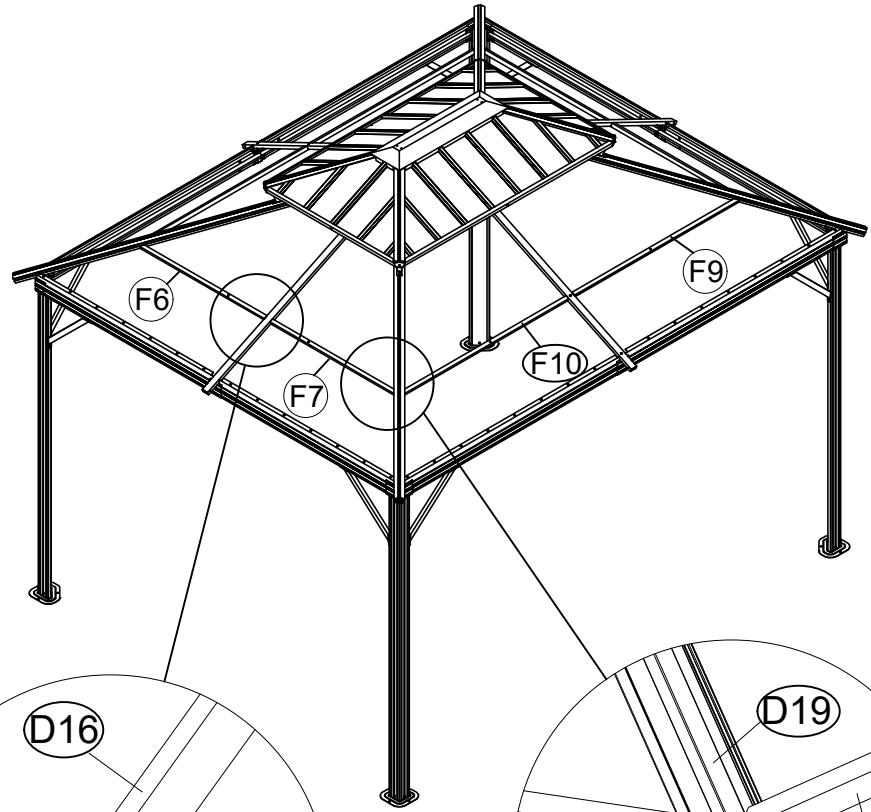
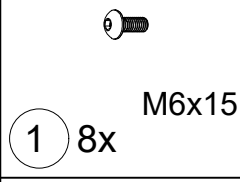
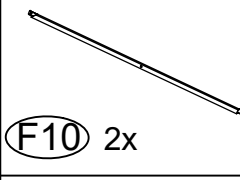
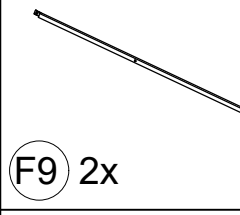
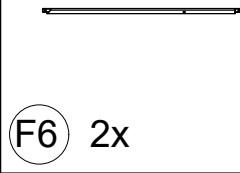
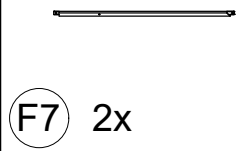
M2 1x



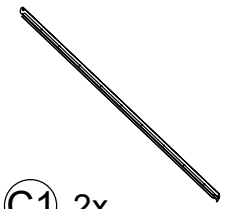
5 2x



<14>



<15>



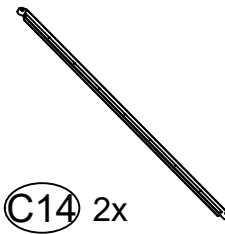
C1 2x



C2 2x



C13 2x



C14 2x



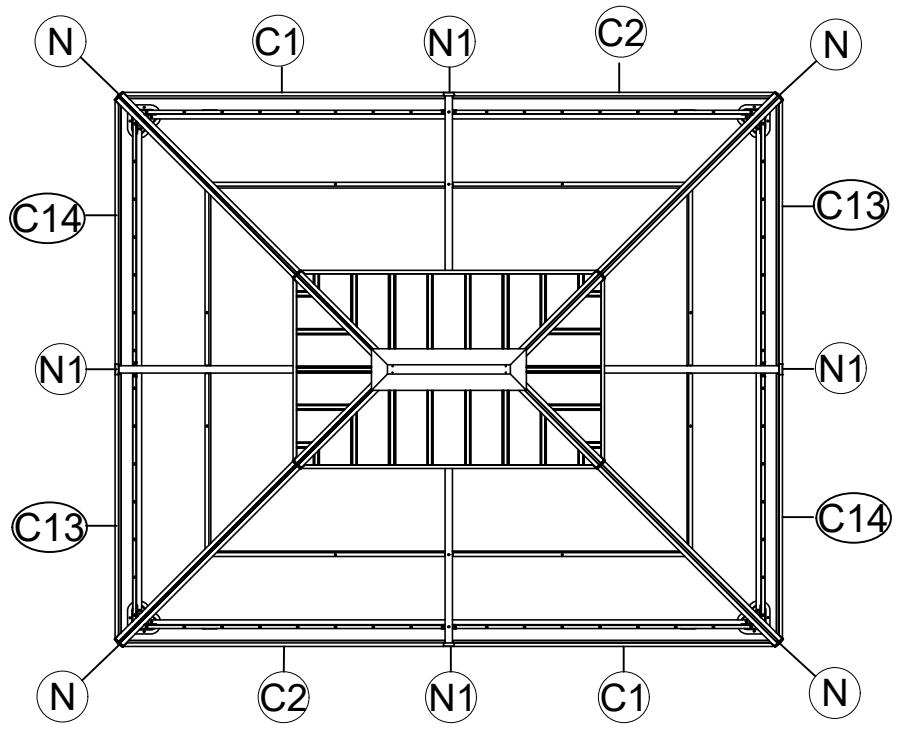
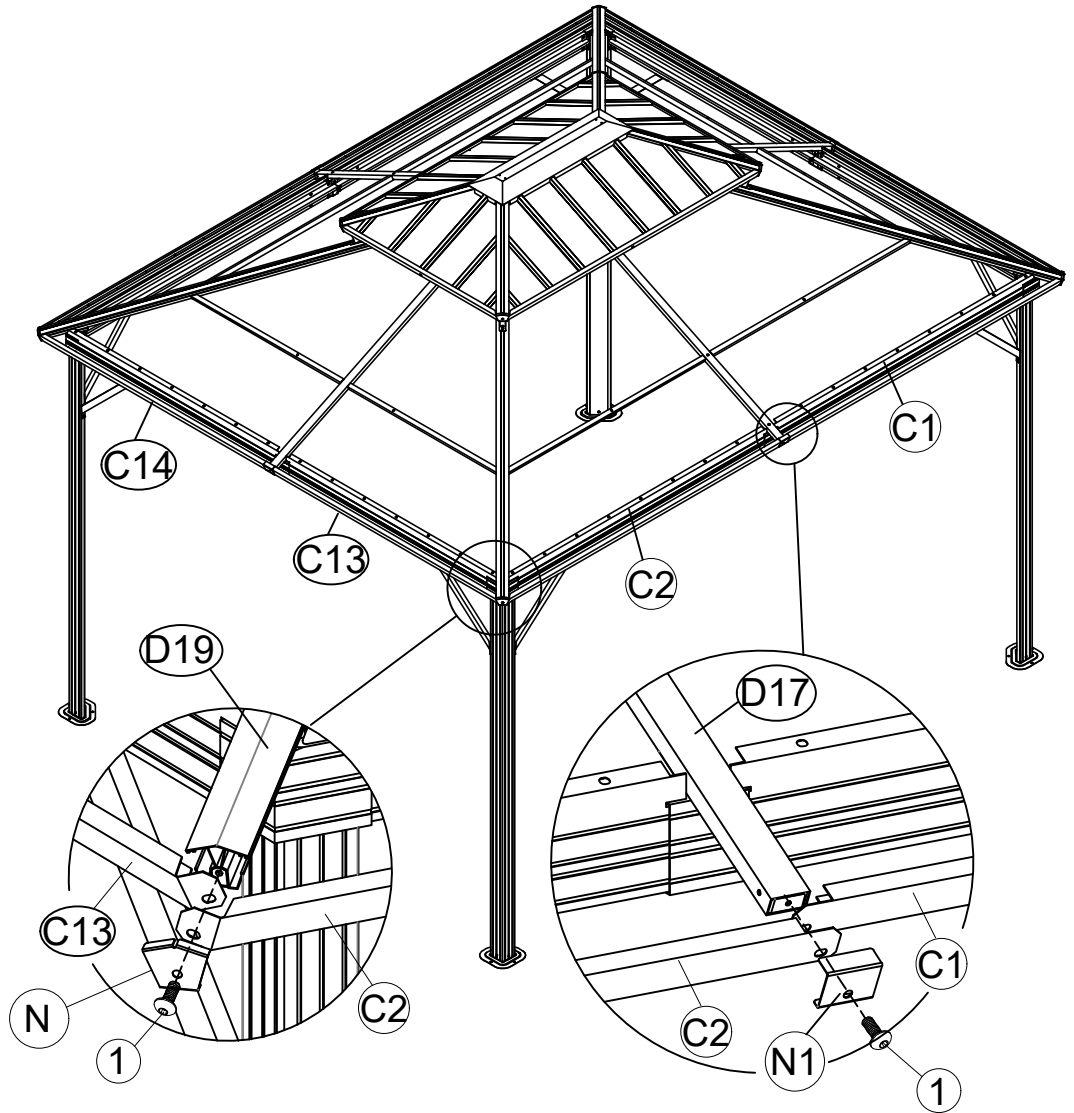
N 4x



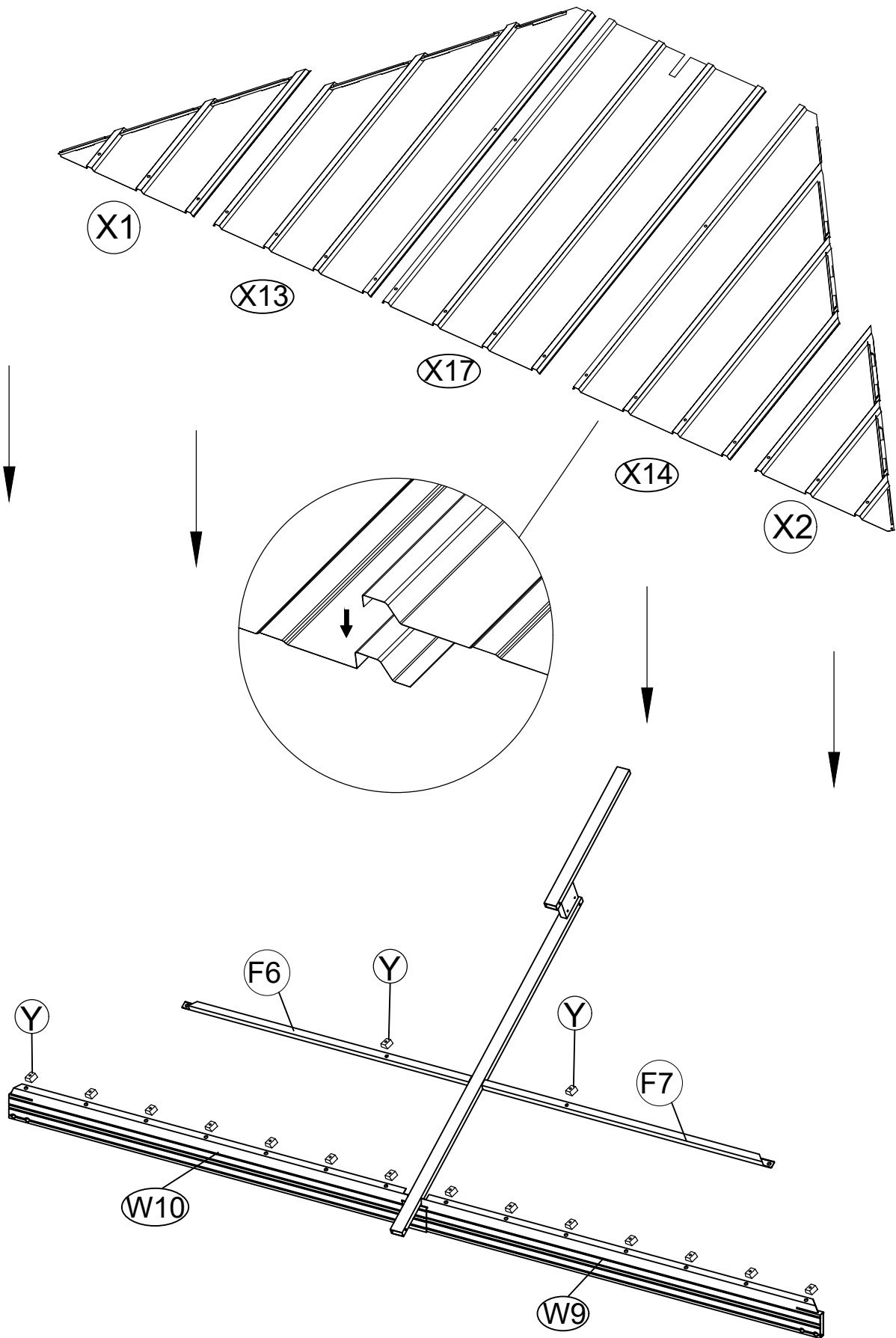
N1 4x



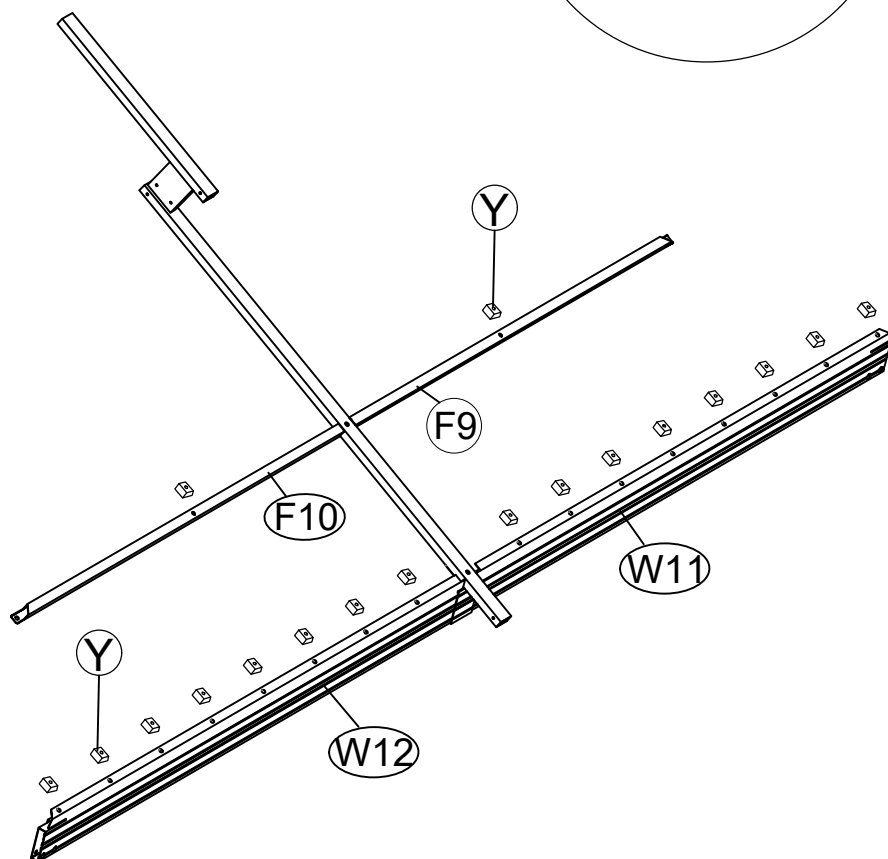
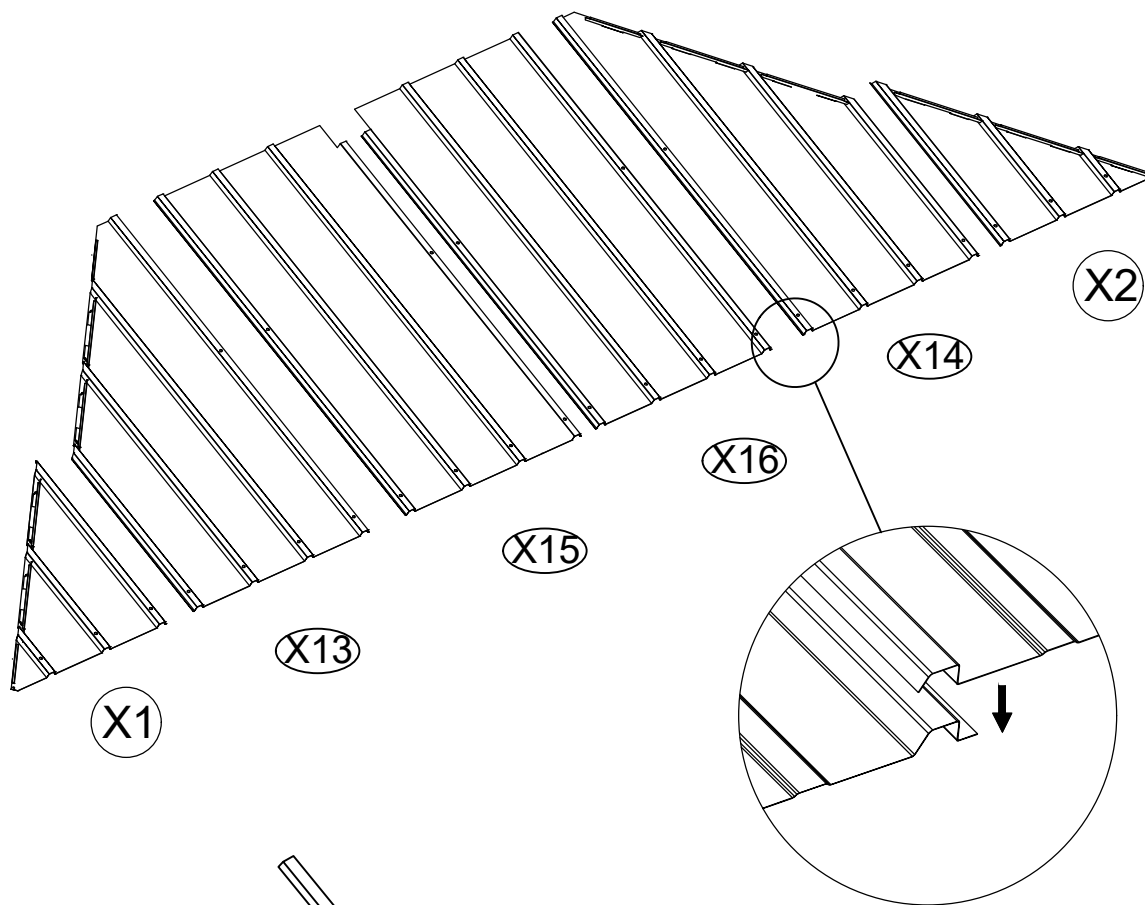
1 8x M6x15



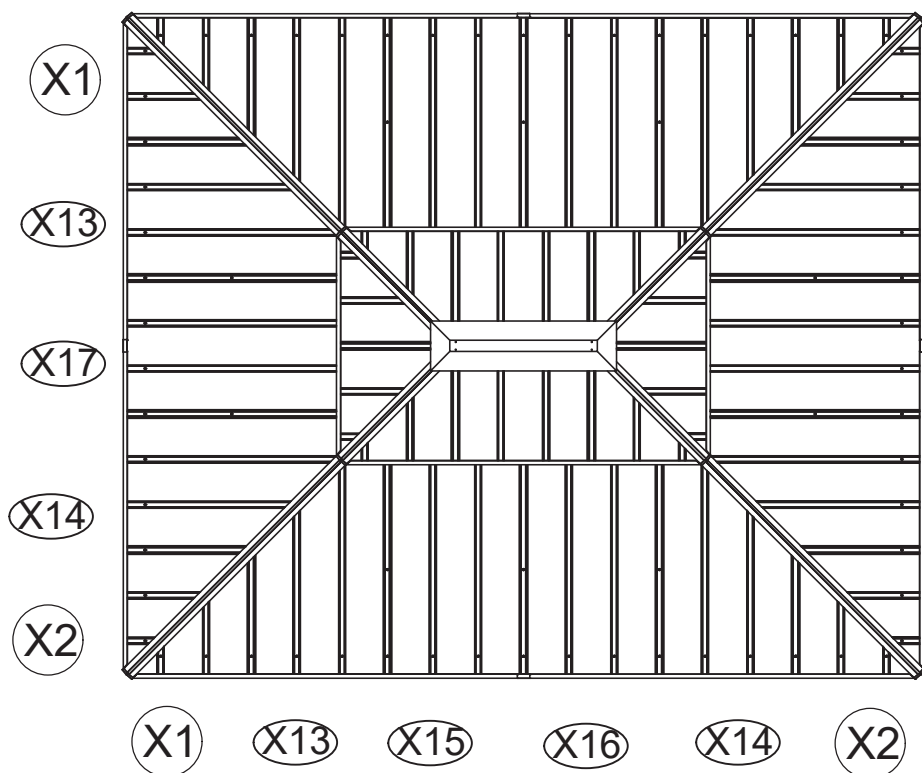
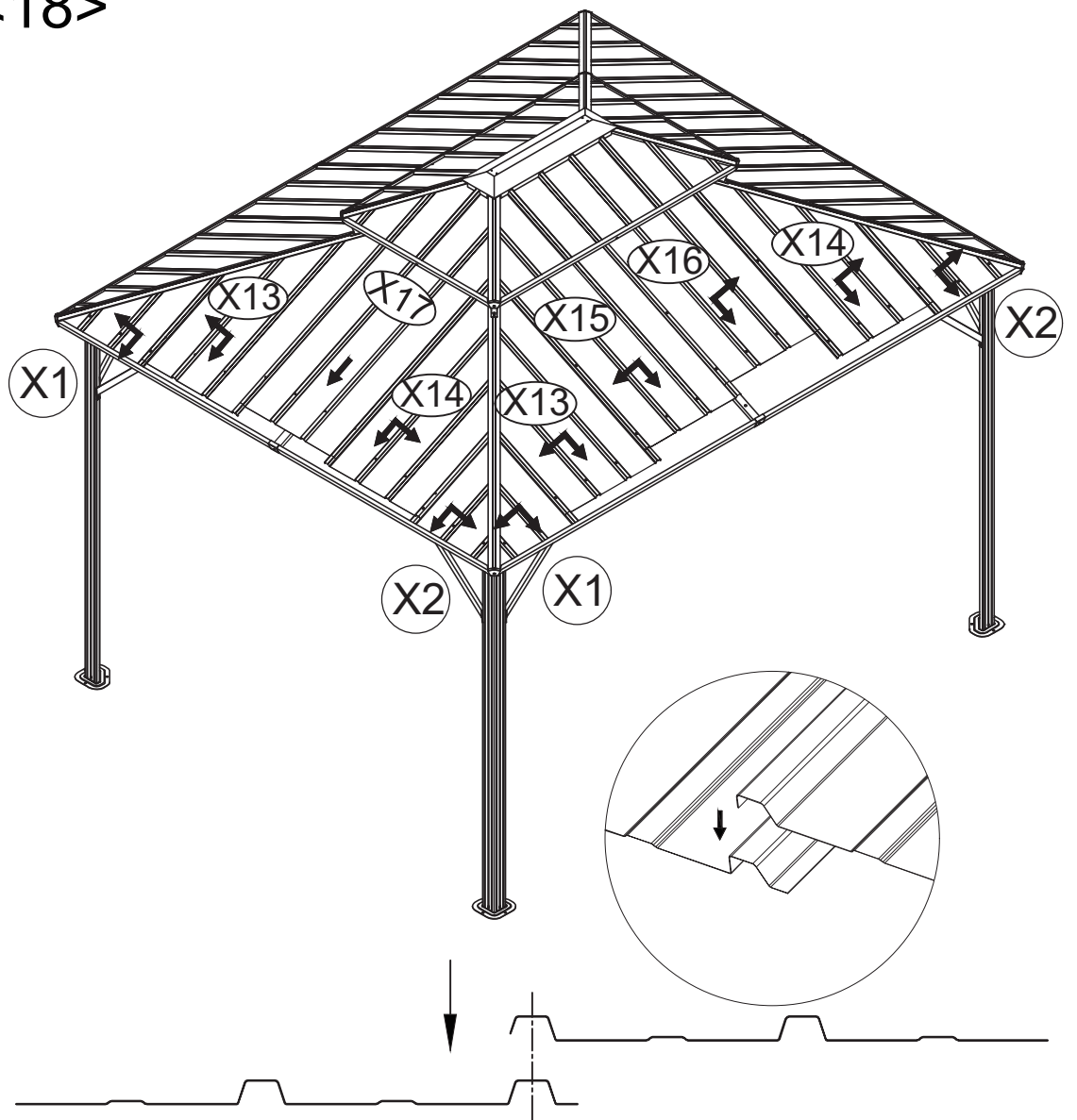
<16>



<17>



<18>





Y 68x



M6x25

3 4x



M6x23

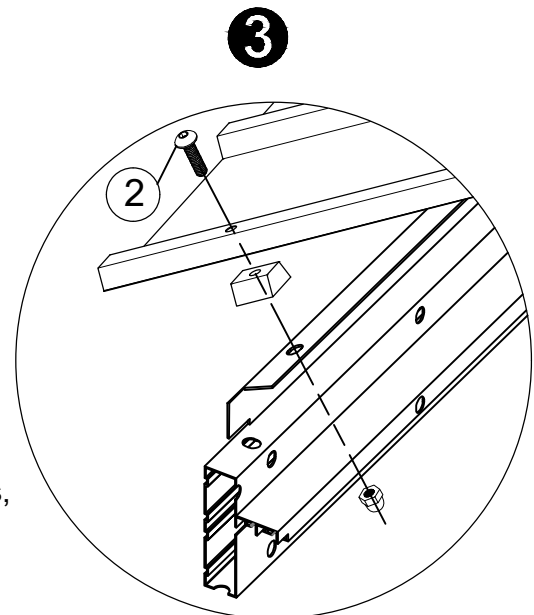
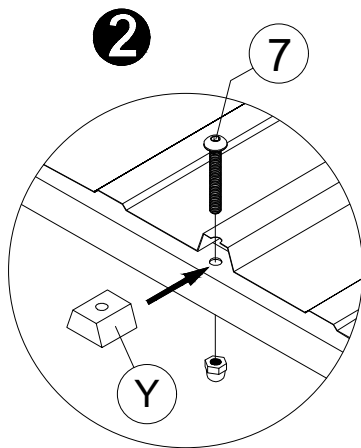
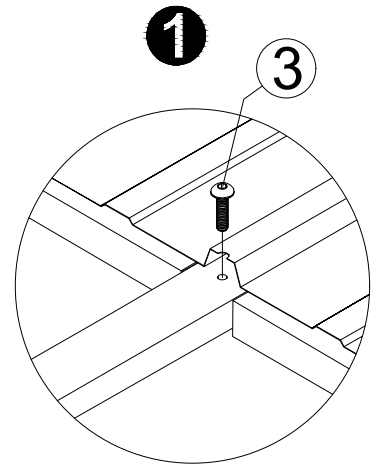
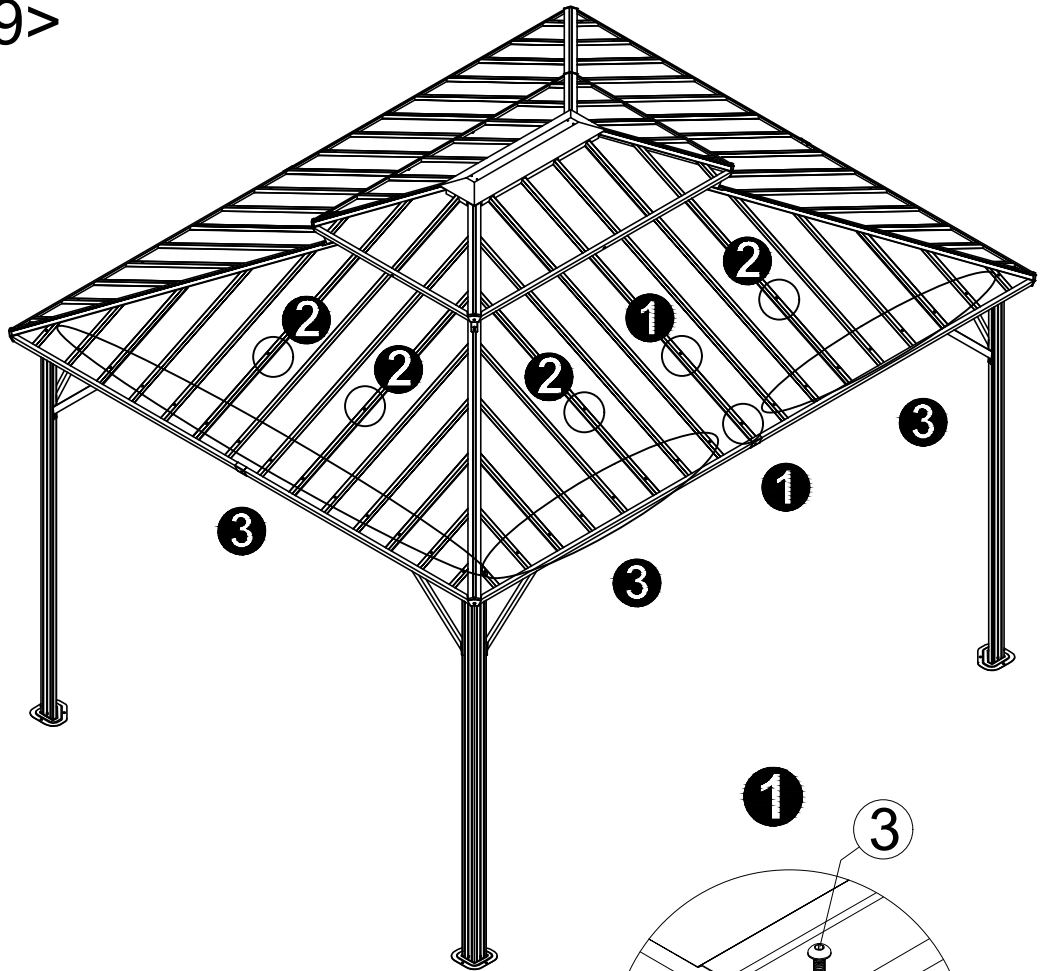
2 60x



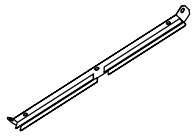
M6x45

7 8x

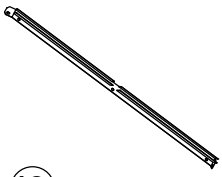
<19>



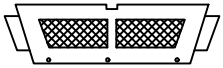
Note: When installing the roof top plates, if the roof plates are slightly uneven, pls press the screws from the top of the plates until the bottom screw thread is exposed by 3 to 4mm, and then screw on the nut.



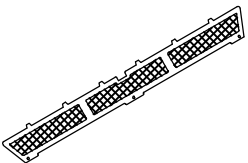
I1 2x



I9 2x



V1 2x



V6 2x



N 4x



M6x15

1 8x

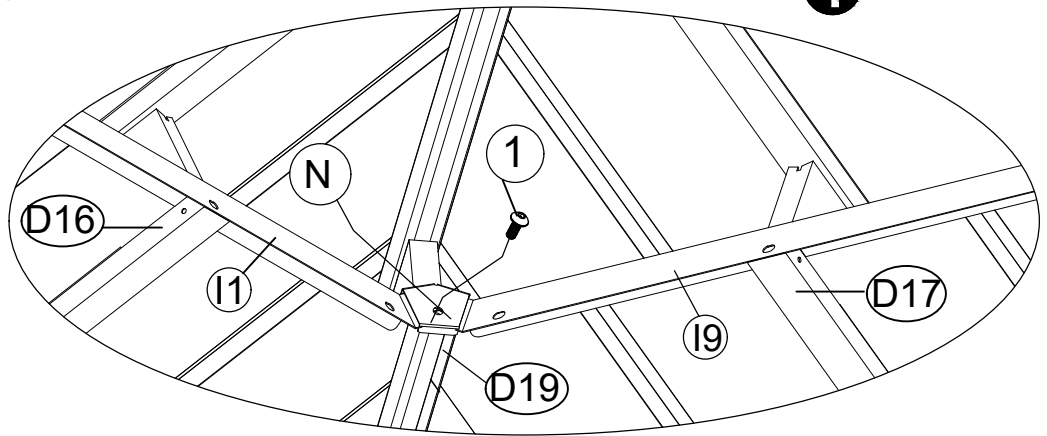


M6x10

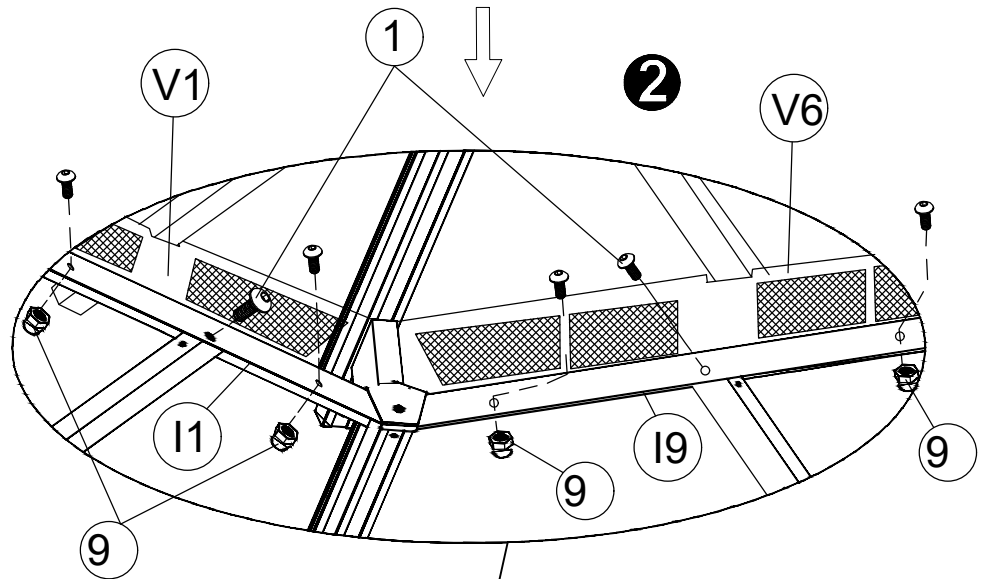
9 8x

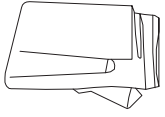
<20>

1



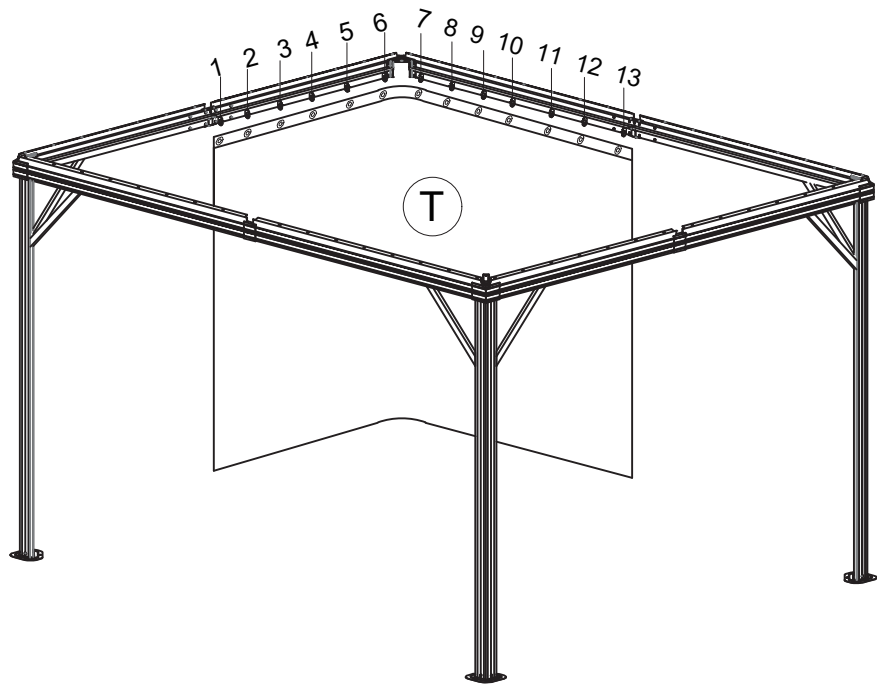
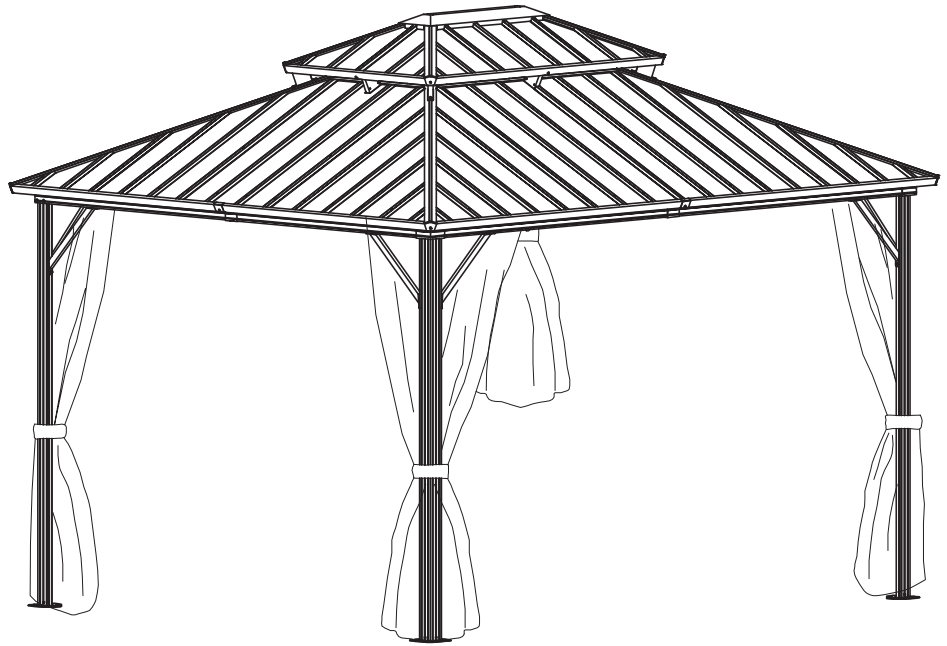
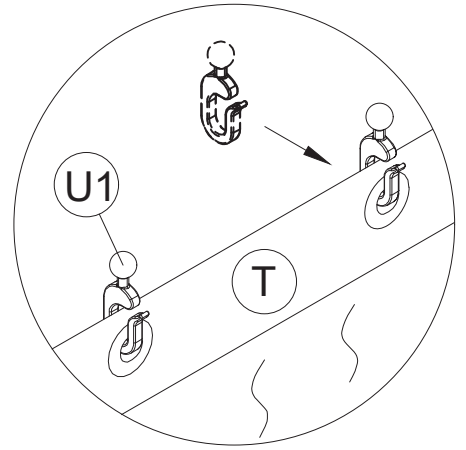
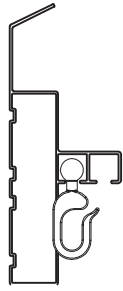
2

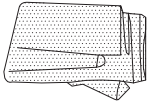




<21>

T 4x





T1 4x

<22>

